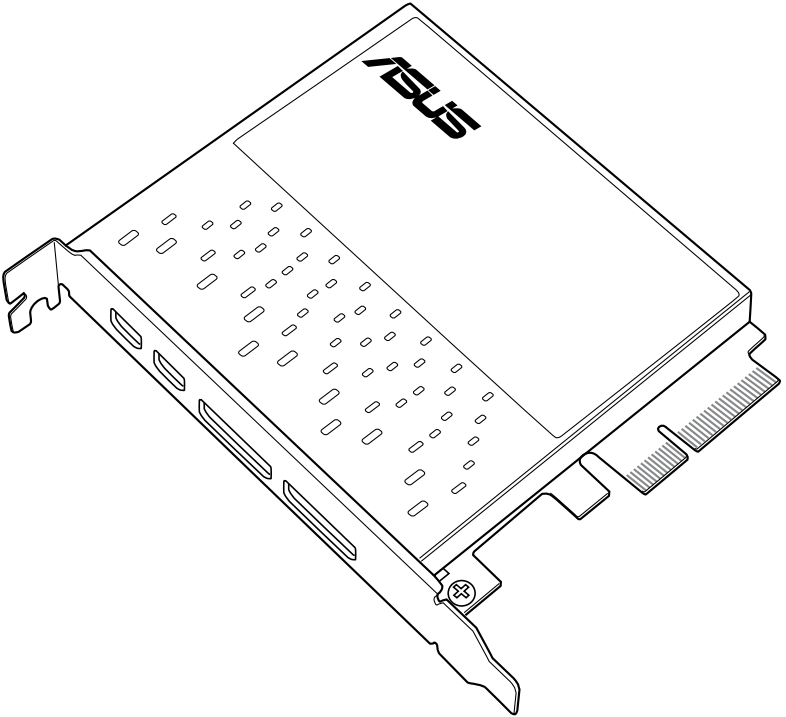


# ThunderboltEX II/DUAL

## *User Guide*



**Copyright © 2014 ASUSTeK COMPUTER INC. All Rights Reserved.**

No part of this manual, including the products and software described in it, may be reproduced, transmitted, transcribed, stored in a retrieval system, or translated into any language in any form or by any means, except documentation kept by the purchaser for backup purposes, without the express written permission of ASUSTeK COMPUTER INC. ("ASUS").

ASUS provides this manual "as is" without warranty of any kind, either express or implied, including but not limited to the implied warranties or conditions of merchantability or fitness for a particular purpose. In no event shall ASUS, its directors, officers, employees, or agents be liable for any indirect, special, incidental, or consequential damages (including damages for loss of profits, loss of business, loss of use or data, interruption of business and the like), even if ASUS has been advised of the possibility of such damages arising from any defect or error in this manual or product.

Specifications and information contained in this manual are furnished for informational use only, and are subject to change at any time without notice, and should not be construed as a commitment by ASUS. ASUS assumes no responsibility or liability for any errors or inaccuracies that may appear in this manual, including the products and software described in it.

Product warranty or service will not be extended if: (1) the product is repaired, modified or altered, unless such repair, modification or alteration is authorized in writing by ASUS; or (2) the serial number of the product is defaced or missing.

Products and corporate names appearing in this manual may or may not be registered trademarks or copyrights of their respective companies, and are used only for identification or explanation and to the owners' benefit, without intent to infringe.

# Welcome!

Congratulations and thank you for buying an ASUS ThunderboltEX II/DUAL card!

The ASUS ThunderboltEX II/DUAL card provides Thunderbolt™ connection to other Thunderbolt-enabled devices. Use this card to quickly transfer native PCIe and DisplayPort protocols between a PC and Thunderbolt™ devices.

## Features

Your ASUS ThunderboltEX II/DUAL card features two Thunderbolt™ 2 ports that supports Thunderbolt™ 2 technology and two DisplayPort that supports DisplayPort 1.2 specifications. The Thunderbolt™ 2 port provides 20 Gb/s bi-directional bandwidth and incorporates DisplayPort 1.2 support enabling transfer and display of 4K video files simultaneously. Each of the Thunderbolt™ 2 port allows you to connect up to six Thunderbolt-enabled devices in a daisy-chain configuration using Thunderbolt™ cables.

## Package contents

Check your package for the following items:

- 1 x ThunderboltEX II/DUAL card
- 1 x DisplayPort cable
- 1 x mini DisplayPort cable
- 1 x ASUS TB\_Header cable
- 1 x User guide
- 1 x Support CD



---

If any of the above items is damaged or missing, contact your retailer.

---

## Compatible ASUS motherboard models

The ThunderboltEX II/DUAL card is compatible with your ASUS Z87-DELUXE\* motherboard.



---

\* Use the ThunderboltEX II/DUAL card only with motherboards that passed Intel® certification.

---

# ThunderboltEX II/DUAL specifications summary

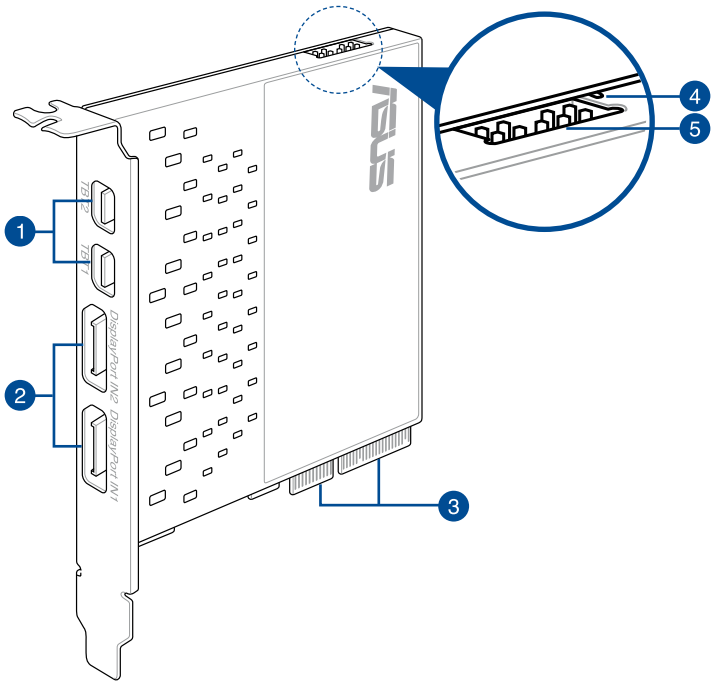
<b>Chipset</b>	Intel® DSL5520 Thunderbolt™ 2 Controller
<b>External Connectors</b>	2 x Thunderbolt™ 2 ports (20 Gb/s bandwidth on each port) 2 x DisplayPort 1.2 IN ports 1 x 9-pin TB header
<b>Display</b>	Supports Thunderbolt™ 2 interface* with maximum resolution of 4096 x 2160 @ 24 Hz / 3840 x 2160 @ 60 Hz DisplayPort 1.2 Multi-Stream Transport (MST) compliant; supports up to three displays of DisplayPort 1.2 monitors.**  * Use the Thunderbolt™ cable to link Thunderbolt™ monitors and Thunderbolt-enabled devices in a daisy chain connection.  ** Use the mini DisplayPort cable to link up to three DisplayPort 1.2 monitors in a daisy chain connection.
<b>Data Rate</b> □	2 x Thunderbolt™ 2 ports for 4 channels, 20 Gb/s bi-directional per channel
<b>Accessories</b>	1 x DisplayPort cable* 1 x mini DisplayPort cable* 1 x ASUS TB_Header cable** 1 x Support CD***  * Provides link from the motherboard's DisplayPort or mini DisplayPort to the DisplayPort 1.2 IN port on the ThunderboltEX II card. Use the bundled DisplayPort or mini DisplayPort cable depending on the available DisplayPort connector on your motherboard.  ** Provides link from TB_Header of the motherboard to the ThunderboltEX II card's TB header.  *** Contains the Thunderbolt™ 2 driver.
<b>Operating Systems Supported</b>	Windows® 7 (64-bit) / Windows® 8 (64-bit) / Windows® 8.1 (64-bit)
<b>Form Factor</b>	3.35 in. x 3.94 in. (8.5 cm x 10 cm)

\* Specifications are subject to change without notice.



- Use only Thunderbolt™ technology-enabled devices that passed the Intel® validation to ensure optimum performance and compatibility with your ThunderboltEX II/DUAL card.
- Ensure your monitor complies with DisplayPort 1.2 specifications if you want to connect them in a daisy-chain configuration using the Thunderbolt™ 2 port.

# ThunderboltEX II/DUAL card layout



- 1 Thunderbolt™ 2 ports 1 and 2
- 2 DisplayPort IN ports 1 and 2
- 3 PCIE 2.0 interface
- 4 LED indicator
- 5 TB\_Header

## Installing the ThunderboltEX II driver



We highly recommend that you install the Thunderbolt™ 2 driver first before installing the ThunderboltEX II/DUAL card.

To install the driver, place the Support DVD into the optical drive then follow on-screen instructions to finish the installation.

# Installing the ThunderboltEX II/DUAL card



- Before installing the ThunderboltEX II/DUAL card in your motherboard, ensure that you have an available PCIE 2.0 x16 slot connected to the platform controller hub (PCH). For more information on the correct PCIE 2.0 slot to use, refer to the section **ThunderboltEX II/DUAL card recommended configuration** of this user guide.
- The following illustrations are for reference only. The motherboard layout may vary with models, but the installation steps remain the same.

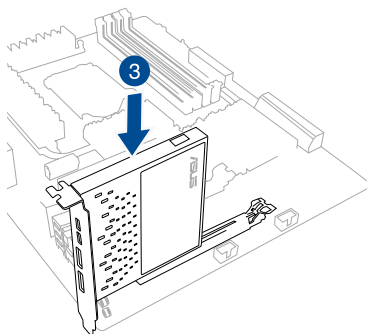
To install ThunderboltEX II/DUAL card:

1. Shut down your PC.
2. Open the chassis.



Ensure that no cables or peripherals are blocking the PCIE 2.0 slot.

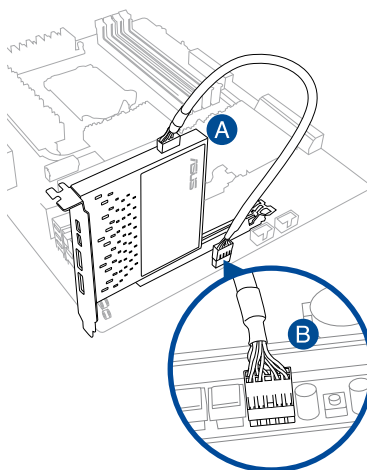
3. Align and insert the ThunderboltEX II/DUAL card into a PCIE 2.0 slot until it is securely seated in place.



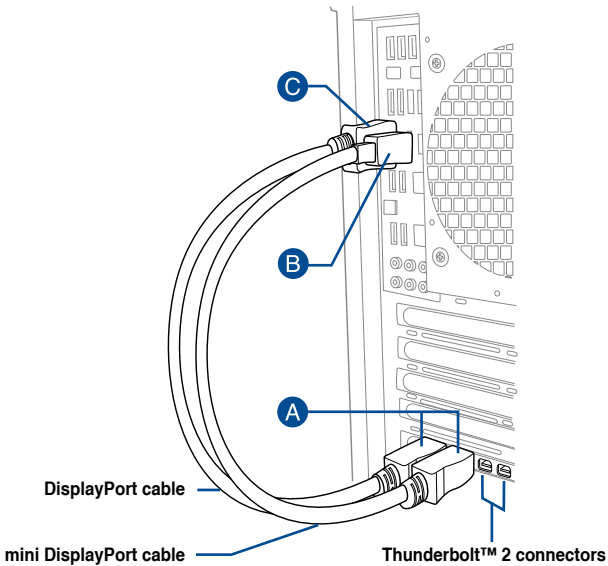
4. Connect the ASUS TB\_Header cable to the ThunderboltEX II/DUAL card (A) and to the TB\_Header port on the motherboard (B).



When the red LED on the ThunderboltEX II/DUAL card is on, it indicates that a cable is disconnected. Refer to the section **ThunderboltEX II/DUAL card layout** of this user guide for the location of the LED indicator.



5. Connect the DisplayPort cable and the mini DisplayPort cable to the ThunderboltEX II/DUAL card's DisplayPort IN ports (A) to the DisplayPort (B) and the mini DisplayPort (C) on the motherboard's I/O port.



6. Close the chassis.
7. Turn on the PC.
8. Connect the Thunderbolt™ cable from your Thunderbolt-enabled device to the Thunderbolt™ 2 port on the ThunderboltEX II/DUAL card.



- The Thunderbolt™ cable is not bundled with the ThunderboltEX II/DUAL package. Use the Thunderbolt™ cable that came with your Thunderbolt-enabled device when connecting to the Thunderbolt™ 2 port on your ThunderboltEX II/DUAL card.
- The two Thunderbolt™ 2 port of the ThunderboltEX II/DUAL card is backward compatible with the previous Thunderbolt™ technology.
- For the recommended daisy-chain configurations or connections, refer to the section **Connecting to external devices** of this user guide.

## ThunderboltEX II/DUAL card recommended configuration

Compatible ASUS motherboard models	PCIe 2.0 port on the motherboard (color)	PCIe 2.0 mode (D = Default; M = Maximum; D/M = Default & Maximum)	Maximum bandwidth	Supported BIOS version*
Z87-DELUXE	PCIe 2.0 x16_3 (Dark Brown)	D/M: x4 mode	20 Gb/s	1702 or later



---

Update the BIOS of your motherboard and the VGA driver to the latest version. Go to [www.asus.com](http://www.asus.com) for more information.

---



---

If you install an add-on VGA card, ensure to set the BIOS item **iGPU Multi Monitor** to **Enable**. Refer to the chapter **BIOS setup** of your motherboard's user guide for more information.

---



# Connecting to external devices



Before connecting any Thunderbolt-enabled devices in a daisy-chain configuration, ensure that it is equipped with one Thunderbolt™ IN port and one Thunderbolt™ OUT port.

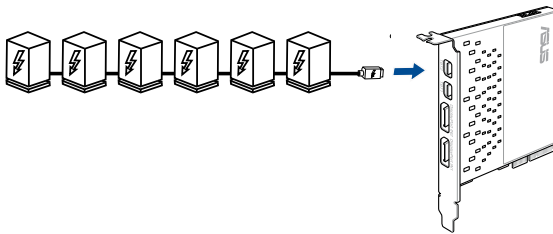
## Single-port configuration

You can refer to the following recommended daisy-chain connections for a single-port configuration.

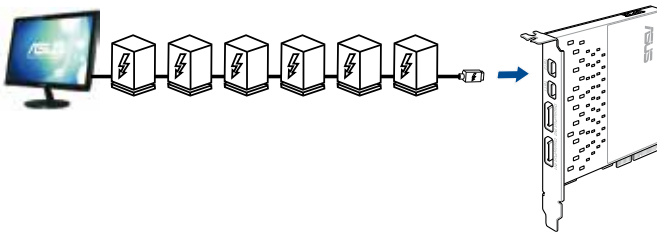


You can use either of the Thunderbolt™ 2 port on the ThunderboltEX II/DUAL card for the following connections.

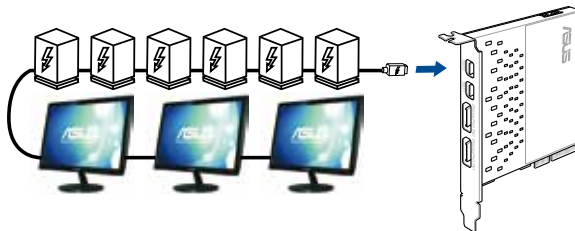
### Six (6) Thunderbolt™ devices



### Six (6) Thunderbolt™ devices + one (1) native DisplayPort monitor



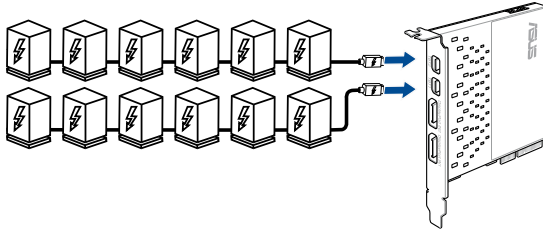
### Six (6) Thunderbolt™ devices + three (3) DisplayPort 1.2 displays



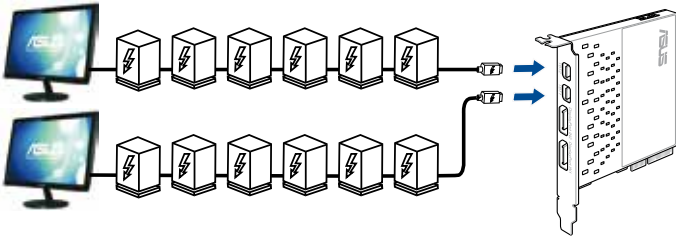
## DUAL-port configuration

You can refer to the following recommended daisy-chain connections for a DUAL-port configuration.

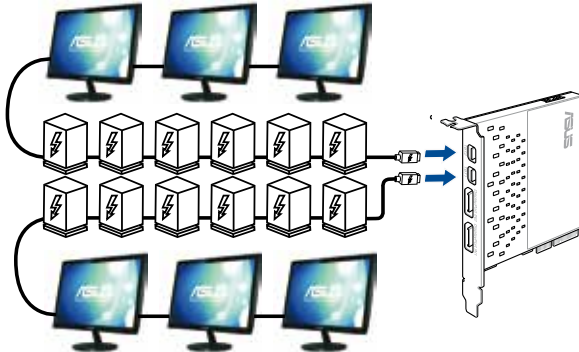
### Twelve (12) Thunderbolt™ devices



### Twelve (12) Thunderbolt™ devices + two (2) native DisplayPort monitors



### Twelve (12) Thunderbolt™ devices + six (6) DisplayPort 1.2 displays



# Notices

## Federal Communications Commission Statement

This device complies with Part 15 of the FCC Rules. Operation is subject to the following two conditions:

- This device may not cause harmful interference.
- This device must accept any interference received including interference that may cause undesired operation.

This equipment has been tested and found to comply with the limits for a Class B digital device, pursuant to Part 15 of the FCC Rules. These limits are designed to provide reasonable protection against harmful interference in a residential installation. This equipment generates, uses and can radiate radio frequency energy and, if not installed and used in accordance with manufacturer's instructions, may cause harmful interference to radio communications. However, there is no guarantee that interference will not occur in a particular installation. If this equipment does cause harmful interference to radio or television reception, which can be determined by turning the equipment off and on, the user is encouraged to try to correct the interference by one or more of the following measures:

- Reorient or relocate the receiving antenna.
- Increase the separation between the equipment and receiver.
- Connect the equipment to an outlet on a circuit different from that to which the receiver is connected.
- Consult the dealer or an experienced radio/TV technician for help.



---

The use of shielded cables for connection of the monitor to the graphics card is required to assure compliance with FCC regulations. Changes or modifications to this unit not expressly approved by the party responsible for compliance could void the user's authority to operate this equipment.

---

## IC: Canadian Compliance Statement

Complies with the Canadian ICES-003 Class B specifications. This device complies with RSS 210 of Industry Canada. This Class B device meets all the requirements of the Canadian interference-causing equipment regulations.

This device complies with Industry Canada license exempt RSS standard(s). Operation is subject to the following two conditions: (1) this device may not cause interference, and (2) this device must accept any interference, including interference that may cause undesired operation of the device.

Cet appareil numérique de la Classe B est conforme à la norme NMB-003 du Canada. Cet appareil numérique de la Classe B respecte toutes les exigences du Règlement sur le matériel brouilleur du Canada.

Cet appareil est conforme aux normes CNR exemptes de licence d'Industrie Canada. Le fonctionnement est soumis aux deux conditions suivantes :

- (1) cet appareil ne doit pas provoquer d'interférences et
- (2) cet appareil doit accepter toute interférence, y compris celles susceptibles de provoquer un fonctionnement non souhaité de l'appareil.

## Canadian Department of Communications Statement

This digital apparatus does not exceed the Class B limits for radio noise emissions from digital apparatus set out in the Radio Interference Regulations of the Canadian Department of Communications.

This class B digital apparatus complies with Canadian ICES-003.

## VCCI: Japan Compliance Statement

### VCCI Class B Statement

情報処理装置等電波障害自主規制について

この装置は、情報処理装置等電波障害自主規制協議会（VCCI）の基準に基づくクラスB情報技術装置です。この装置は家庭環境で使用されることを目的としていますが、この装置がラジオやテレビジョン受信機に近接して使用されると、受信障害を引き起こすことがあります。

取扱説明書に従って正しい取り扱いをして下さい。

## KC: Korea Warning Statement

B급 기기 (가정용 방송통신기자재)

이 기기는 가정용(B급) 전자파적합기기로서 주로 가정에서 사용하는 것을 목적으로 하며, 모든 지역에서 사용할 수 있습니다.

\*당해 무선설비는 전파혼신 가능성이 있으므로 인명안전과 관련된 서비스는 할 수 없습니다.

## REACH

Complying with the REACH (Registration, Evaluation, Authorisation, and Restriction of Chemicals) regulatory framework, we published the chemical substances in our products at ASUS REACH website at <http://csr.asus.com/english/REACH.htm>.



DO NOT throw the motherboard in municipal waste. This product has been designed to enable proper reuse of parts and recycling. This symbol of the crossed out wheeled bin indicates that the product (electrical and electronic equipment) should not be placed in municipal waste. Check local regulations for disposal of electronic products.



DO NOT throw the mercury-containing button cell battery in municipal waste. This symbol of the crossed out wheeled bin indicates that the battery should not be placed in municipal waste.

## ASUS Recycling/Takeback Services

ASUS recycling and takeback programs come from our commitment to the highest standards for protecting our environment. We believe in providing solutions for you to be able to responsibly recycle our products, batteries, other components as well as the packaging materials. Please go to <http://csr.asus.com/english/Takeback.htm> for detailed recycling information in different regions.

# ASUS contact information

## ASUSTeK COMPUTER INC.

Address 15 Li-Te Road, Peitou, Taipei, Taiwan 11259  
Telephone +886-2-2894-3447  
Fax +886-2-2890-7798  
E-mail info@asus.com.tw  
Web site <http://www.asus.com>

### *Technical Support*

Telephone +86-21-3842-9911  
Fax +86-21-5866-8722, ext. 9101#  
Online support <http://support.asus.com/techserv/techserv.aspx>

## ASUS COMPUTER INTERNATIONAL (America)

Address 800 Corporate Way, Fremont, CA 94539, USA  
Telephone +1-510-739-3777  
Fax +1-510-608-4555  
Web site <http://usa.asus.com>

### *Technical Support*

Telephone +1-812-284-0883  
Support fax +1-812-282-2787  
Online support <http://support.asus.com/techserv/techserv.aspx>

## ASUS COMPUTER GmbH (Germany and Austria)

Address Harkort Str. 21-23, 40880 Ratingen, Germany  
Fax +49-2102-959931  
Web site <http://www.asus.com/de>  
Online contact <http://eu-rma.asus.com/sales>

### *Technical Support*

Telephone +49-2102-5789555  
Support Fax +49-2102-959911  
Online support <http://support.asus.com/techserv/techserv.aspx>

# DECLARATION OF CONFORMITY

Per FCC Part 2 Section 2. 1077(a)



Responsible Party Name: **Asus Computer International**

Address: **800 Corporate Way, Fremont, CA 94539.**

Phone/Fax No: **(510)739-3777/(510)608-4555**

hereby declares that the product

**Product Name : Thunderbolt II PCI EXPRESS Card**

**Model Number : THUNDERBOLTEX II/DUAL, THUNDERBOLTEX II**

Conforms to the following specifications:

FCC Part 15, Subpart B, Unintentional Radiators

### Supplementary Information:

This device complies with part 15 of the FCC Rules. Operation is subject to the following two conditions: (1) This device may not cause harmful interference, and (2) this device must accept any interference received, including interference that may cause undesired operation.

Representative Person's Name : Steve Chang / President

Signature :

Date : Dec. 13, 2013

Ver. 120601

# EC Declaration of Conformity



We, the undersigned,

Manufacturer: **ASUSTeK COMPUTER INC.**  
Address, City: **4F, No. 150, LI-TE Rd., REI-TOU, TAIPEI 112, TAIWAN**  
Country: **TAIWAN**  
Authorized representative in Europe: **ASUS COMPUTER GmbH**  
Address, City: **HARKORT STR. 21-23, 40880 RATINGEN**  
Country: **GERMANY**

declare the following apparatus:

Product name : **Thunderbolt II PCI EXPRESS Card**  
Model name : **THUNDERBOLTEX II/DUAL, THUNDERBOLTEX II**

conform with the essential requirements of the following directives:

### 2004/108/EC-EMC Directive

EN 55024:2010-AC:2011  
 EN 55022:2008-02-05  
 EN 50133:2001+A1:2003+A2:2006  
 EN 55020:2007+A1:2011

### 1989/5/EC-RoHS ATTE Directive

EN 300 528 V1.7.1(2006-10)  
 EN 300 440-1 V1.6.1(2010-08)  
 EN 300 440-2 V1.6.1(2010-08)  
 EN 301 511 V04.2(2003-03)  
 EN 301 489-7 V1.3.1(2008-11)  
 EN 301 489-9 V1.4.1(2007-11)  
 EN 301 988-5 V5.2.1(2011-05)  
 EN 301 988-5 V5.2.1(2011-07)  
 EN 302 844-2 V1.1.1(2009-01)  
 EN 302 823 V1.1.1(2009-01)  
 EN 302 326-3 V1.3.1(2007-09)  
 EN 302 326-2 V1.2.1(2007-09)  
 EN 302 291-1 V1.1.1(2005-07)  
 EN 62479:2010  
 EN 50365:2002  
 EN 62311:2005

### 2006/95/EC-LVD Directive

EN 60950-1 /A12:2011  
 EN 60065:2002 / A12:2011

### 2009/125/EC-ERP Directive

Regulation (EC) No. 1275/2008  
 Regulation (EC) No. 642/2009  
 Regulation (EC) No. 617/2013

### 2006/66/EU-RoHS Directive

CE marking



(EC conformity marking)

Position : **CEO**  
Name : **Jerry Shen**

Signature : \_\_\_\_\_

Declaration Date: **13/12/2013**  
Year to begin affixing CE marking: **2013**

Ver. 120601