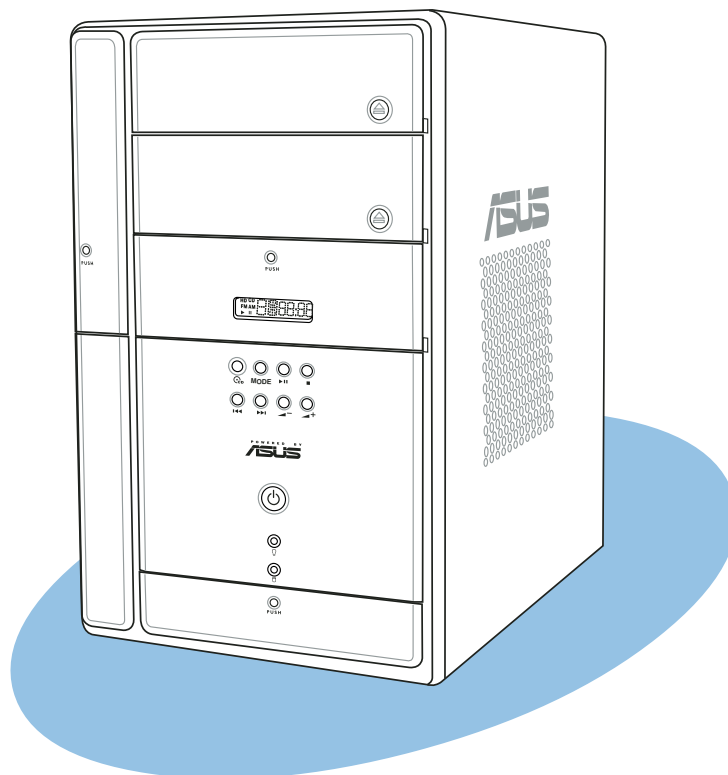


ASUS[®]

T2-AH1

Barebone System

Quick Installation Guide



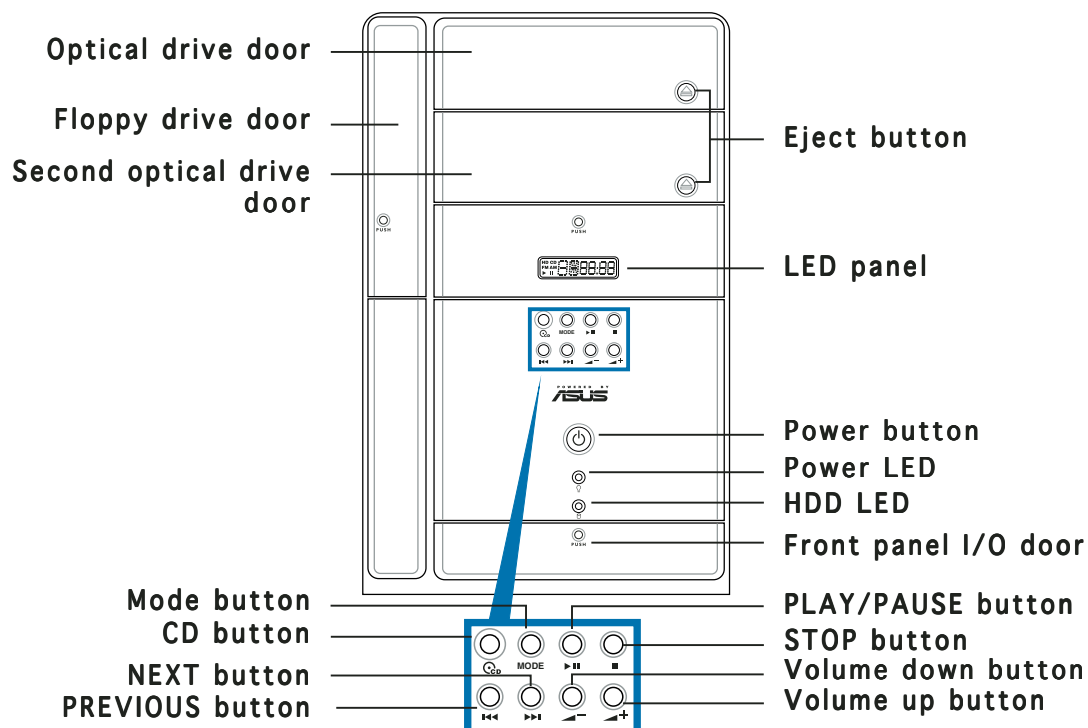
System package contents

Check your T2-AH1 system package for the following items. Contact your retailer immediately if any of the items is damaged or missing.

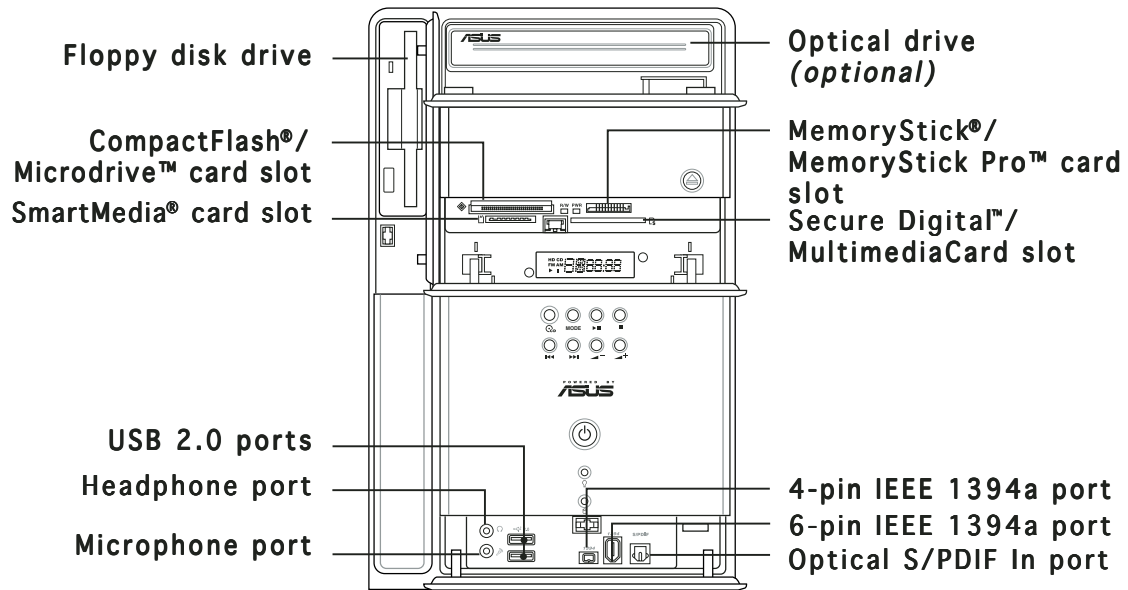
Item description	
1. ASUS T2-AH1 barebone system with	
• ASUS motherboard	• 6 x USB 2.0 ports
• 250 W PFC power supply unit	• 2 x IEEE 1394a ports
• Gigabit LAN port	• S/PDIF out port
• CPU fan and heatsink assembly	• 7-in-1 storage card reader
• 2 x 5.25" drive bays	• FM radio module and radio antenna
• 1 x 3.5" floppy disk drive bay	• 1 x 3.5" hard disk drive bay
• LED panel	• Audio DJ play buttons
2. Cables	
• AC power cable	
• Serial ATA cable	
• Serial ATA power cable	
3. Support CD	
4. User guide	
5. Optional items	
• Optical drive (CD-ROM/CD-RW/DVD-ROM/DVD-RW)	
• Floppy disk drive	

Features

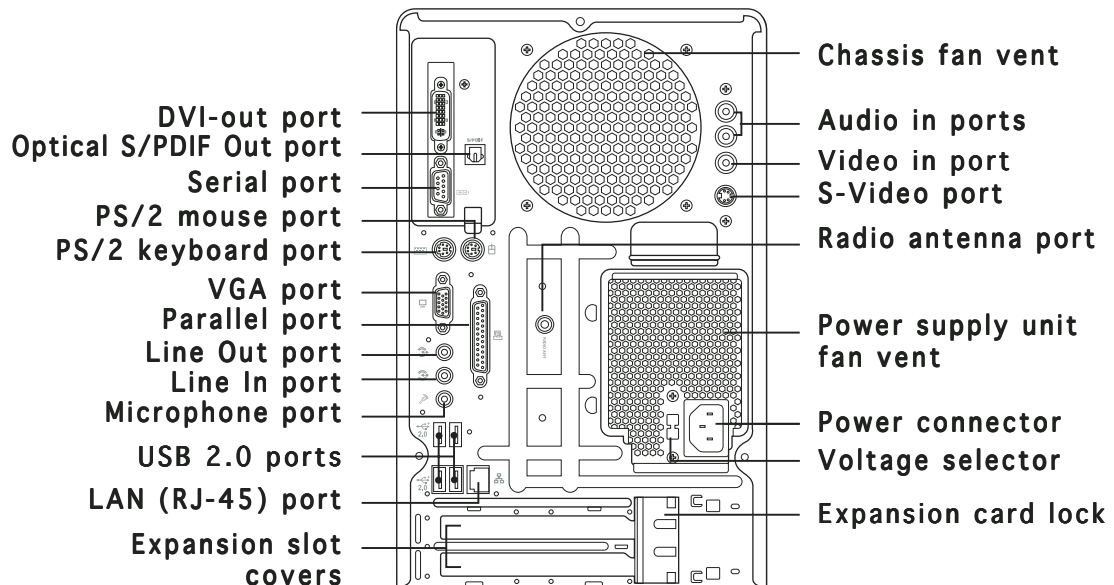
Front panel (external)



Front panel (internal)



Rear panel

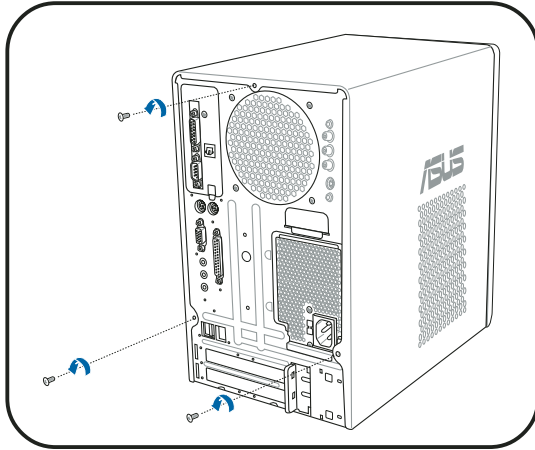


Installation

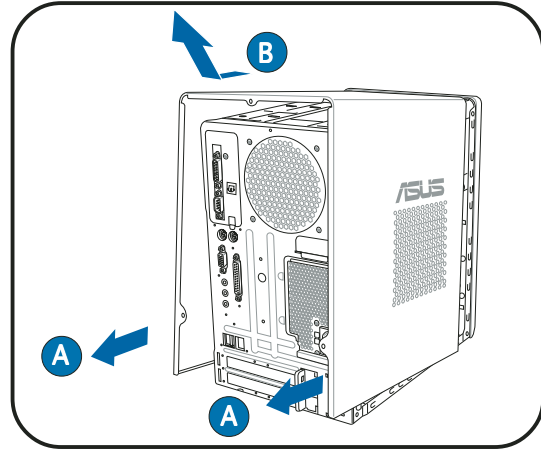


IMPORTANT! Refer to the system user guide for installation details and other system information.

Removing the cover

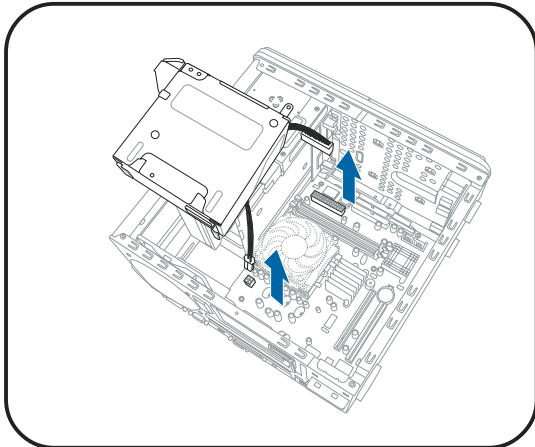


1. Locate and remove three cover screws.

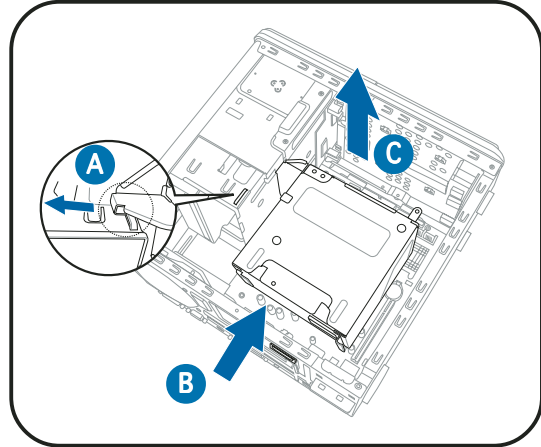


2. Pull the cover toward the rear panel (A), then lift (B).

Removing the power supply unit



1. Disconnect all power plugs from the system components and the motherboard, then remove the PSU screw.

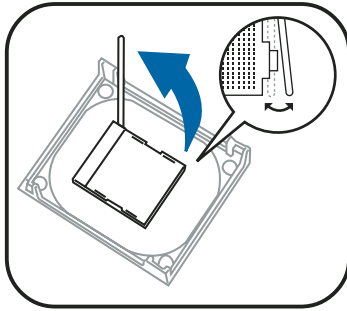


2. Slide the PSU to the left (A) until the side hook is disengaged. Push the PSU toward the front panel (B), then lift (C).

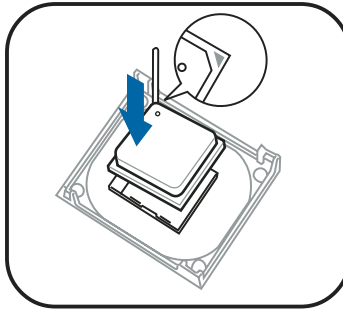


IMPORTANT! When removing the PSU, make sure to hold or support it firmly. The unit might accidentally drop and damage the other system components.

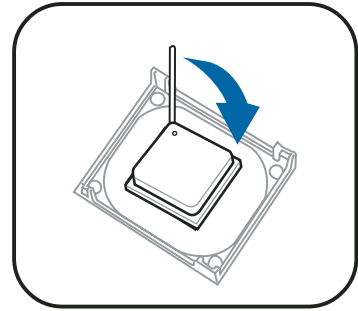
Installing the CPU



1. Press the CPU socket lever sideways, then lift.



2. Insert the CPU into the socket until it fits in place.



3. Push down the socket lever to secure the CPU.

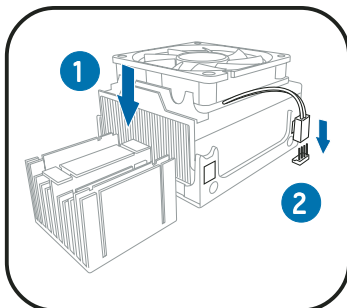


IMPORTANT! Make sure to install the CPU fan and heatsink assembly on top of the installed CPU.

Installing the CPU fan and heatsink assembly

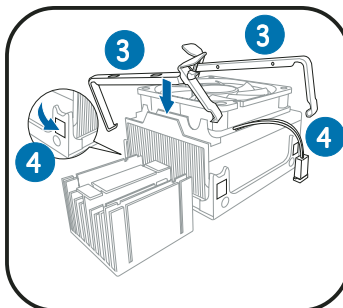


IMPORTANT! Make sure to turn off your computer and unplug the cable from the power source before installing the CPU fan and heatsink assembly.



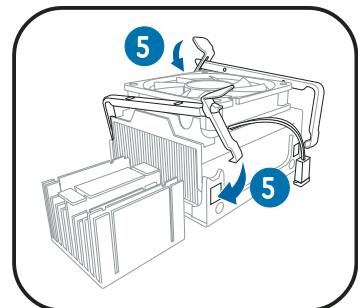
1. Place the CPU fan and heatsink assembly on top of the installed CPU, making sure it fits the retention module.

2. Connect the CPU fan cable to the CPU fan connector on the motherboard.



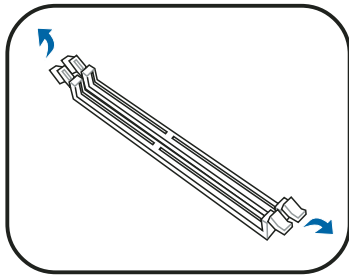
3. Align the metal clips to the side rail of the CPU fan and heatsink assembly, with the locking levers in the reverse orientation.

4. Snap the hook of each metal clip into the hole of the retention module.

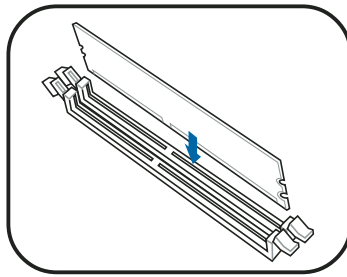


5. Carefully press down each locking lever and hook its end into the hole of the retention module.

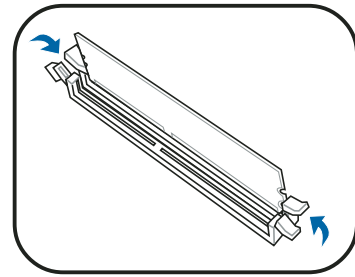
Installing memory module(s)



1. Press the retaining clips of the DIMM socket outward.



2. Align a DIMM on the socket.

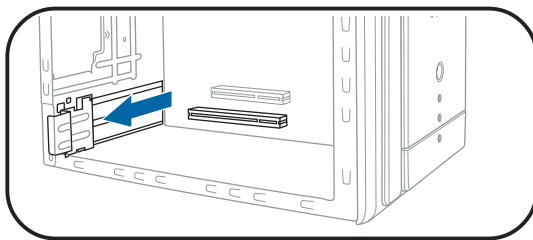


3. Insert the DIMM firmly to the socket until the retaining clips snap back in place.

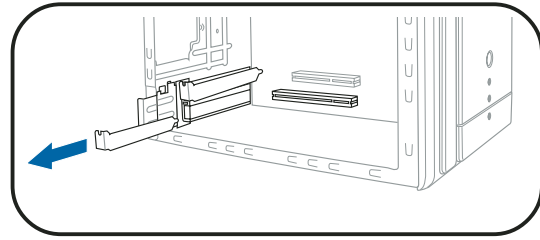


CAUTION! A DDR DIMM is keyed with a notch so that it fits in only one direction. Do not force a DIMM into a socket to avoid damaging the DIMM!

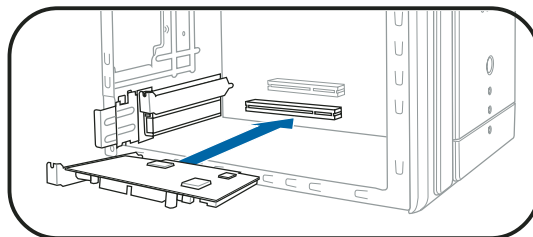
Installing expansion cards



1. Pull the expansion card lock to the direction of the arrow.

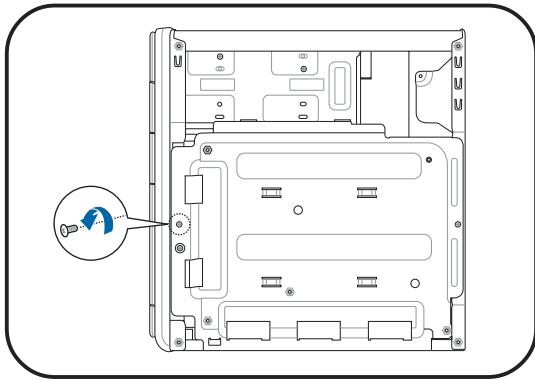


2. Remove the metal bracket opposite the slot you intend to use.

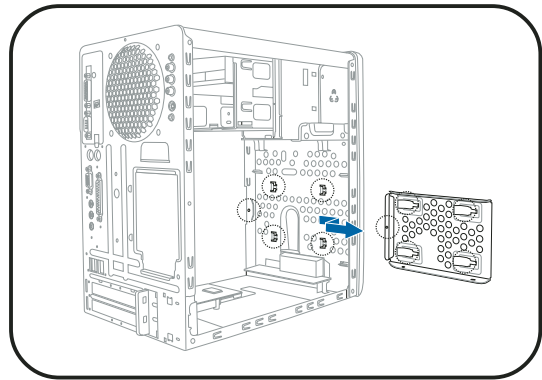


3. Align the card connector with the slot, then press firmly.

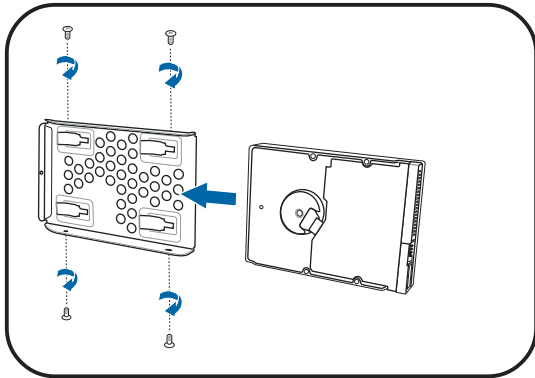
Installing a hard disk drive



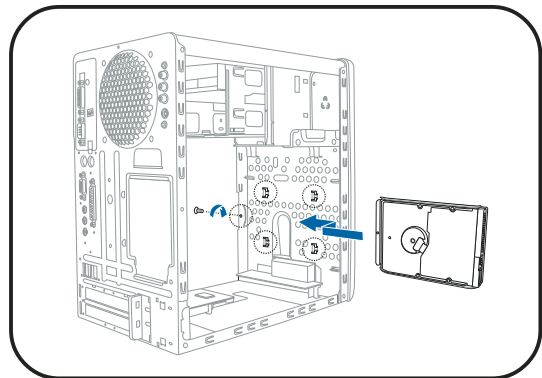
1. Remove the HDD tray lock screw.



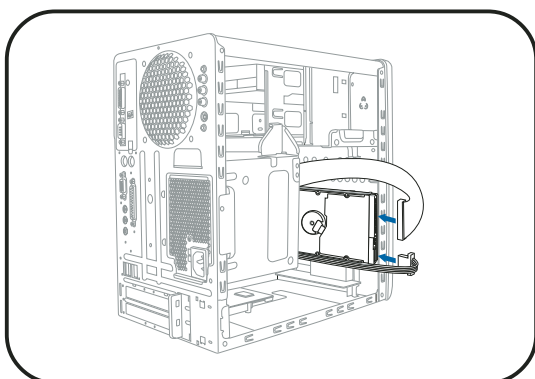
2. Slide the HDD tray outward.



3. Place a hard disk drive on the tray, then secure it with four screws.



4. Reinstall the HDD tray inside the chassis, then secure the HDD tray with the lock screw.

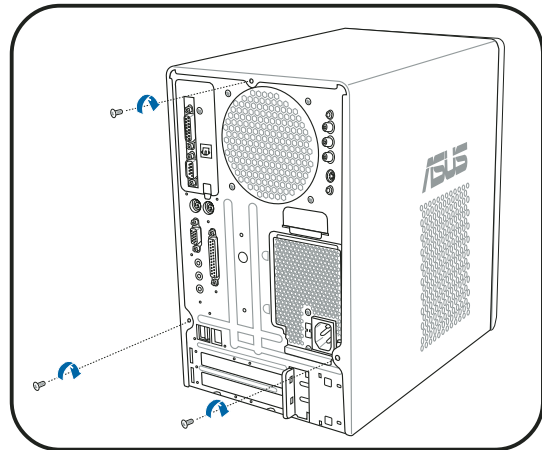
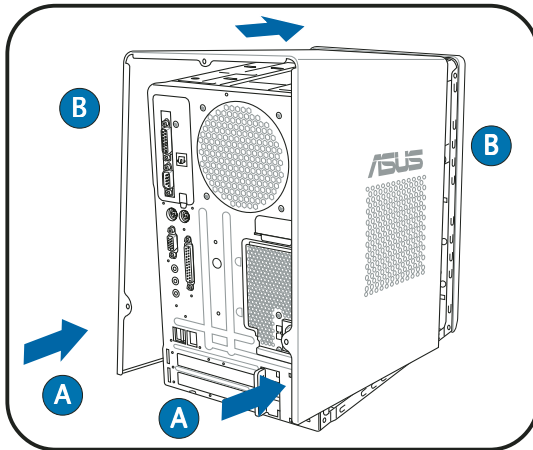


5. Connect the power and signal cables to the connectors at the back of the drive.



NOTE. Refer to the User Guide for details on installing a Serial ATA HDD.

Replacing the cover



1. Fit the cover tabs with the chassis rail and the front panel tabs (A), then lower the rear edge of the cover as shown (B).
2. Secure the cover with three screws.

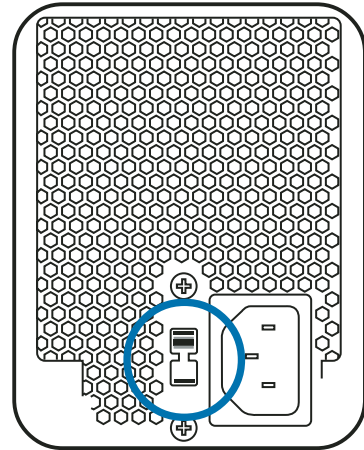
Selecting the voltage

The PSU has a 115 V/230 V voltage selector switch located beside the power connector. Use this switch to select the appropriate system input voltage according to the voltage supply in your area.



NOTE. The voltage selector is set to 230 V by default.

If the voltage supply in your area is 100-127 V, set the switch to 115 V. If the voltage supply in your area is 200-240 V, set the switch to 230 V.



WARNING! Setting the switch to 115 V in a 230 V environment will seriously damage the system!