

P4SC PES

Rev 0.7 DEC /5 / 2001

Engineer : George Chen

Processor

Type : Socket 478 – Intel Pentium 4 – P478 Willamette & Northwood
Core Frequency : 1.4 GHz ~ 2.2+ GHz
FSB Frequency : 66 MHz 100 MHz 133 MHz
(2X and 4X Data Rate)

Chipset

North Bridge : SiS SiS650 Host/Memory/AGP Controller
South Bridge : SiS SiS961 MuTIOL Media I/O

System Memory

Type : DDR DRAM
No of DIMM : 2
No of RIMM : 0
Min/Max Size : 64 MBytes to 2 GBytes
Frequency : 66 MHz PC100 PC133
 PC1600 PC2100 PC2700
 PC600 PC800
Data Width : 64 bits
Max Transfer Rate : 3.2 GBytes/sec
ECC : None

Slots

AGP : None
PCI (Total) : 2 x PCI-32
Others : None
ASUS proprietary : None

Form Factor

Proprietary ATX 8.0" X 9.0"

Graphics

Integrated : SiS 650 built-in VGA 4X
Discrete : None

Asus Confidential

The specification is subject to change without notice.
The brand and product names are trademarks of their respective companies



P4SC PES

Rev 0.7 DEC /5 / 2001

Engineer : George Chen

Audio

PCI controller (W/O codec) : None

Codec linked with South Bridge : Crytal CS4299 AC97 codec

Network

Ethernet : Realtek PHY RTL8201 (10 / 100 Mbps)

Others : None

Storage

IDE : Dual Channel Bus Master IDE support UltraATA 33 / 66 / 100,
PIO Mode 3 / 4

SCSI : None

Speech (Vocal)

POST ALERT : None

Memory Stick / Secure Digital

IC : None

Super I/O

Vendor : ITE 8707F

Feature	1	x PS/2 K/B & Mouse	1	x FDD (2.88MB, 3Mode)
	1	x Serial	1	x Parallel (ECP, EPP)
	1	x SIR	0	x CIR
	1	x Gameport	1	x SmartCard Reader (optional)

USB

Type : USB 1.1

No of ports : 4

Transfer Rate : 12 Mbits/sec

Asus Confidential

The specification is subject to change without notice.
The brand and product names are trademarks of their respective companies



USB 2.0

Type : None
Vendor : None
No of ports : None
Transfer Rate : None

1394

Vendor : None
No of ports : None
Transfer Rate : 100 Mbps 200Mbps 400Mbps

PC Health Monitoring

Voltage : VCore +3V +5V +12V +2.5V
 VBatt +3VSB +5VSB -12V +1.5V
 +1.8V -5V

Fan : Chassis Fan CPU Fan SPS Fan

Temperature : Motherboard CPU SPS

ASUS Special Feature

I-Panel : None

BIOS Write Protection : Yes

Other Features

WOR (Wake On Ring) by PME

WOL (Wake On LAN) by PME

Connectors

Back I/O

1 x Serial	1 x Parallel	2 x USB
1 x PS/2 KB & Mouse	x 1394 port	1 x RJ – 45
1 x Line_In	1 x Mic_In	1 x Line_Out
x Modem_In	1 x VGA	1 x Game Port

ASUS Feature connector

WOL WOR SM Bus Chassis intrusion

<input checked="" type="checkbox"/> 20-pin Panel	20 pin (Power button, reset button, SMI lead, keylock, speaker, power LED, message LED) + IDE LED
<input type="checkbox"/> 14-pin VPanel	13 pin (IDE LED, Power LED, Power Switch, Reset, Speaker) (14 – 1 pin)
<input type="checkbox"/> Asus_std_AF Panel	23 pin (24 – 1 pin)
<input type="checkbox"/> Asus_std_AAPanel	9 pin (Asus_std_headphone, Asus_std_linein, Asus_std_microphone) (10 – 1)
<input checked="" type="checkbox"/> SmartCard Reader	13 pin (14 – 1 pin)
<input type="checkbox"/> Memory Stick	10 pin
<input type="checkbox"/> Secure Digital	10 pin
<input type="checkbox"/> Asus_std_SPDIF In / Out	5 pin (6 – 1 pin)
<input checked="" type="checkbox"/> Asus_std_SPDIF Out	3 pin (4 – 1 pin)
<input type="checkbox"/> Asus_front_audio_con	5 pin (6-1 pin)

Others

x Com2 (9 pin)	1 x IR
2 x USB 1.1	x 1394 port
x USB 2.0	x Video_In
1 x Aux_In	x Midi_In
1 x Modem_In	x Hardware Disable Func
1 x CD_In	x SPS (power)
1 x CPU Fan	1 x Power Fan
x Chassis Fan	x Asus_std_Bass / Center
x LCD & TV out (optional)	1 x ATX (std. 20pin)
1 x ATX12V (4 pin, 12V)	x AUX+12V (4 pin, 5V + 12V)
x EAUXPWRA (6 pin, 3.3V+5V)	

Add-On Accessories

<input type="checkbox"/> iPanel Basic	<input type="checkbox"/> MR modem	<input type="checkbox"/> SPDIF_OUT
<input type="checkbox"/> iPanel Deluxe	<input type="checkbox"/> PCI modem	<input type="checkbox"/> SPDIF IN/OUT
<input type="checkbox"/> SC/MS Reader	<input type="checkbox"/> TVOUT-I	<input type="checkbox"/> USB Bracket
<input type="checkbox"/> SC/SD Reader	<input type="checkbox"/> TVOUT	<input type="checkbox"/> ATA66 Cable
<input type="checkbox"/> Smart Card Reader	<input type="checkbox"/> DVI	<input type="checkbox"/> ATA33 Cable
<input type="checkbox"/> PCI-L3C920	<input type="checkbox"/> AIMM	<input type="checkbox"/> IDE Cable
<input type="checkbox"/> PCI-1394C	<input type="checkbox"/> CIDB	
<input type="checkbox"/> PCI-1394E	<input type="checkbox"/> IRM100	

POWER MANAGEMENT

- S1 (Stop-Grant)** :
- S3 (Suspend-To-RAM)** :
- S4 (Suspend-To-DISK)** : – Depend on OS
- S5 (Soft-Off)** :

BIOS

Flash EEPROM

<input checked="" type="checkbox"/> 2Mb	<input checked="" type="checkbox"/> ISA
<input type="checkbox"/> 4Mb	<input type="checkbox"/> LPC (Low Pin Count)
	<input type="checkbox"/> FWH (Firmware Hub)

- Special Hardware write protection
- Award BIOS with enhanced ACPI, DMI, Green, PnP features, Trend Chip Away Virus(TCAV)
- Symbios SCSI BIOS

Schedule

- Engineering Sample** : 2001 / Nov / Middle
- Mass Production** : 2002 / Feb / Middle

Asus Confidential

The specification is subject to change without notice.
The brand and product names are trademarks of their respective companies

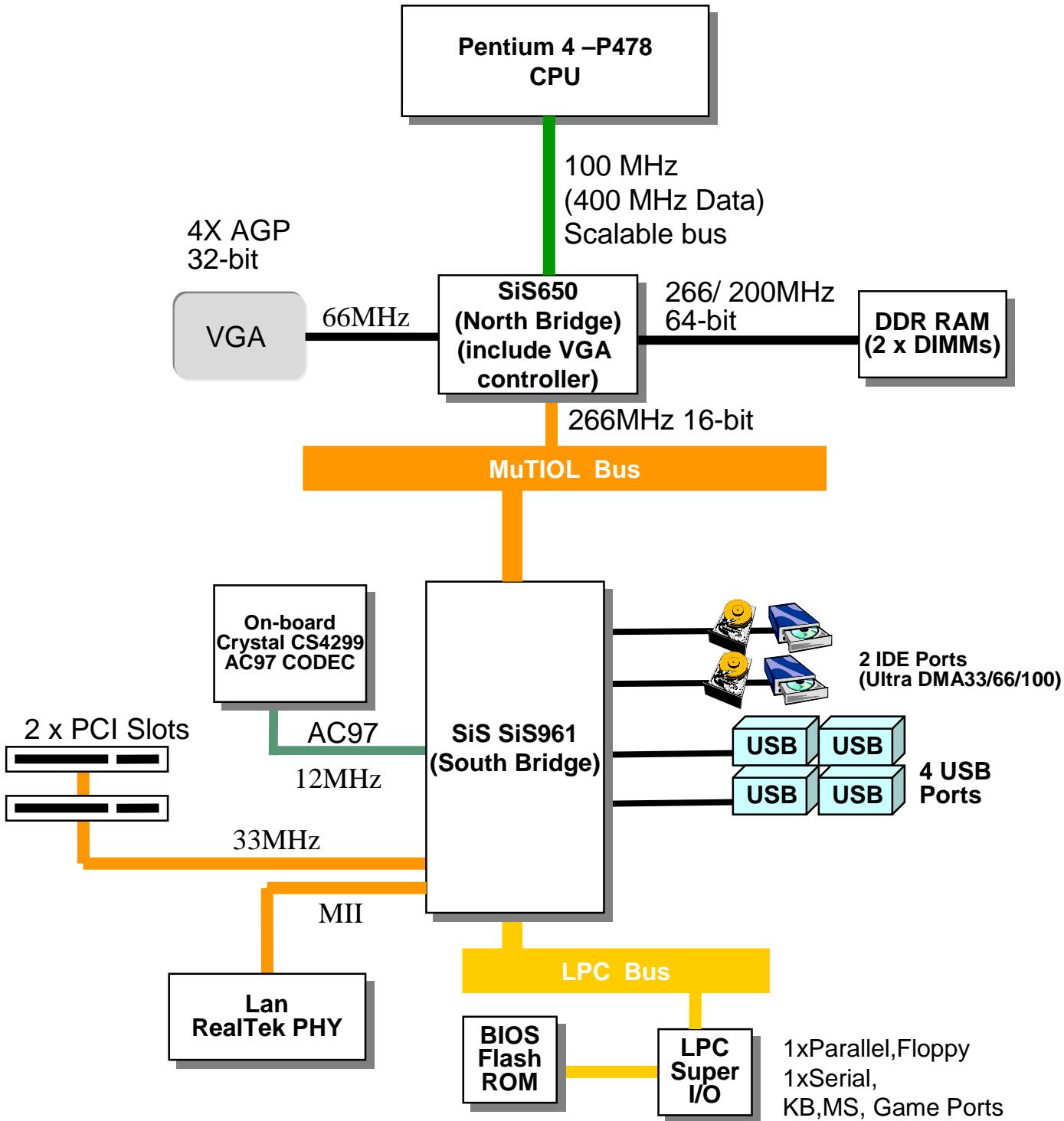


P4SC PES

Rev 0.7 DEC /5 / 2001

Engineer : George Chen

Block Diagram



Asus Confidential

The specification is subject to change without notice.
The brand and product names are trademarks of their respective companies

