

Asus Asteio Media Center PC User Manual

Model D22/ D20

Service and Support

Visit our multi-language web site at <http://www.asus.com>

Preface

Congratulations on your purchase of the Asus Asteio Media Center PC. Read this manual carefully and keep it in a safe place for future reference.

About this manual

Every effort has been made to ensure that the contents on this manual are correct and up to date. However, no guarantee is made regarding the accuracy of its contents, and the manufacturer reserves the right to make changes without prior notice.

Copyright information

No part of this manual, including the products and software described in it, may be reproduced, transmitted, transcribed, stored in a retrieval system, or translated into any language in any form or by any means, except documentation kept by the purchaser for backup purposes, without the express written permission of the manufacturer.

Products and corporate names appearing in this manual may or may not be registered trademarks or copyrights of their respective companies, and are used only for identification or explanation and to the owner's benefit, without intent to infringe. All trademarks are the property of their respective owners.

Copyright © 2006. All rights reserved.

Note to CATV System Installer

This reminder is provided to call the CATV systems installer's attention to section 820-93 of the National Electric Code which provide guidelines for proper grounding and in particular, specify that the Coaxial cable shield shall be connected grounding system of the building, as close to the point of cable entry as practical.

Safety information

Your Asus Asteio Media Center PC is designed and tested to meet the latest standards of safety for information technology equipment. However, to ensure safe use of this product, it is important that the safety instructions stated in this documentation are observed.

Setting up your system

- Read and follow all instructions in the documentation before you operation your Asteio Media Center PC.
- Do not use this product near water or a heated source such as a radiator.
- Set up the system on a stable work surface.
- Openings in the computer case are provided for ventilation. Do not block or cover these openings. Make sure you provide adequate space, at least 15 cm (6 inches), around the system for ventilation when you set up your work area. Never insert objects of any kind into the computer ventilation openings.
- If you use an extension cord with your Media Center PC, make sure that the total ampere rating on the products plugged into the extension cord does not exceed its ampere rating.
- Since your Media Center PC is fitted with a TV tuner, cable or satellite receiver, make sure that the antenna or cable system is electrically grounded to provide some protection against voltage surges and build-up of static charges.

Care during use

- Do not walk on the power cord or allow anything to rest on it.
- Do not spill water or any other liquids on your Media Center PC.
- When the Media Center PC is turned off, a small amount of electrical current still flows through the computer. Always unplug all power cables and modem cables from the power outlets before cleaning the system.
- Unplug the system from the power outlet and refer servicing to qualified personnel if:
 - The power cord or plug is damaged.
 - Liquid has been spilled into the system.
 - The system does not operate properly when the operating instructions are followed.
 - The system was dropped or the cabinet is damaged.
 - The system performance changes.

Table of Contents

Preface	i
About this manual	i
Copyright information	i
Safety information	ii
Setting up your system	ii
Care during use.....	ii
Overview	1
Features	1
Setting up your Media Center PC	2
Planning your Media Center PC setup.....	2
Checking out your Media center PC.....	3
Front View	3
Rear View	4
Making connections	8
Connecting the TV signal source.....	8
Connecting the TV signal source to an existing setup	10
Using the TV as a Monitor.....	12
Cables for connecting to a TV.....	12
Connecting to a TV	12
Connecting Infrared Receiver to external device	16
Installing the wireless LAN antenna	16
Installing the digital TV/ FM antenna	17
Connecting to a digital video camera	17
Connecting to other devices	18
Configuring Speaker and Sound Options	19
Speaker configurations	20
Connecting audio speakers.....	21
Connecting your Media Center PC to a home audio system.....	22
Configuring audio output settings	23
Configuring audio output with SoundMax Audio Wizard	23
Configuring audio output with Windows XP Media Center	24
Using the PC hardware.....	25
Using the wireless keyboard.....	25
Using the special keyboard buttons.....	25

Inserting keyboard batteries.....	27
Using the remote control	28
Inserting remote control batteries.....	30
Using the memory card reader	31
Memory card insertion guide	31
Starting the Windows XP Media Center	33
Using My TV	33
Watching a TV program	33
Recording TV programs.....	33
Playing TV recordings	33
Using My Music	34
Adding music CDs to the Media Library	34
Playing Music	34
Using My Pictures.....	34
Viewing pictures.....	34
Using My Videos.....	35
Viewing videos	35
Specifications	35

Overview

The Asus Asteio Media Center PC features powerful computing and rich entertainment capabilities. You can run the Windows XP Media Center while using other programs or just enjoy the Windows XP Media center in full-screen mode without using other programs. Use the Media Center remote the same way you use remote controls for other home entertainment systems. You can use the remote and Media Center to watch and record TV programs, play videos and music, and view pictures.

Use the wireless keyboard and mouse to run the Windows XP Media Center and other programs.

Features

- AV Entertainment
 - Watching and recording live TV programs
 - Playing DVDs and home videos
 - Listening to music files
 - Viewing and editing pictures
- Connectivity
 - Connecting using wireless devices
 - Video conferencing and conference call feature (A webcam and Skype software are required for this feature.)
 - Data streaming to share different channels
- Supports long range remote control for wireless keyboard (30 feet)
- Features 13-in-1 card reader (MD, CF type I & II, MS, MS-Pro, MS-Duo, MS- Pro Duo, SD, Mini SD, MMC, MMC4.x, RS MMC, RSMMC4.x) for data transfer

Setting up your Media Center PC

Planning your Media Center PC setup

Before you start setting up your Media Center PC, take a few minutes to make sure that all of these connections are available in the location you have selected.

- **Internet connection**

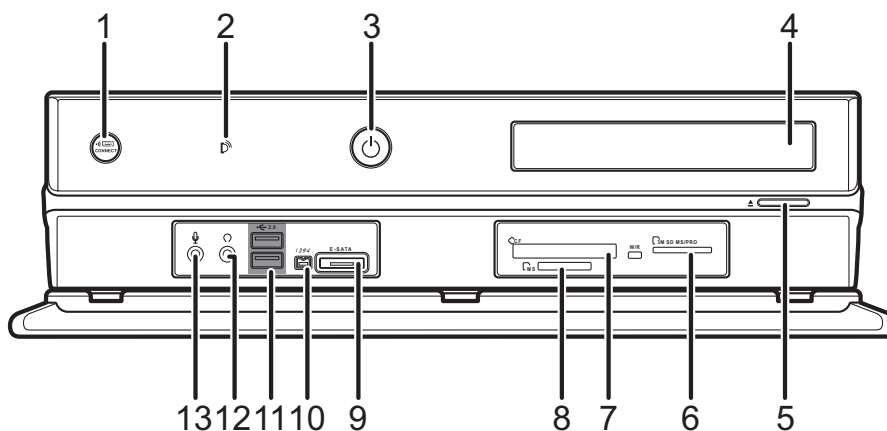
Your computer needs an Internet connection to update the EPG (Electronic Program Guide) and to access the Internet. Make sure that you have access to a dial-up or broadband Internet connection before starting your Windows XP Media Center software setup. Contact your Internet service provider for more information about setting up your Internet connection.

- **Video source**

Make sure that you have access to a video source before starting your Media Center PC setup. Your Media Center PC receives video input from a coaxial or S-video cable. The video source usually come from an antenna, a direct cable TV connection, a cable box, or a satellite receiver. Cable boxes and satellite receivers are also known as set-top boxes.

Checking out your Media center PC

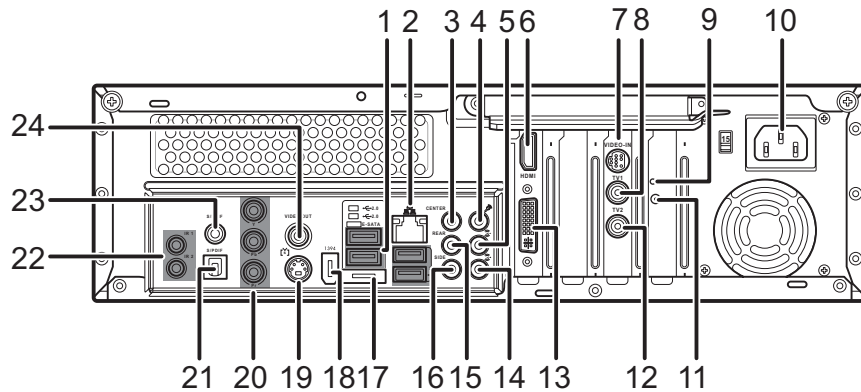
Front View



Item	Component	Description
1	ID Link receiver	Use for wireless keyboard ID Link setting.
2	Infrared receiver	Receives Infrared (IR) signals from the remote control.
3	Power button	Press to turn your PC on or off.
4	Recordable CD-ROM/DVD drive	Use this drive to listen to audio CDs, install games and programs, watch DVDs, and store large files onto recordable CDs and DVDs.
5	CD/DVD drive eject button	Press to open the CD/DVD tray.
6	SD/MMC Pro card reader	Transfer files from a digital device to your Media Center PC through the removable memory card drive.
7	CompactFlash / MicroDrive card reader	Transfer files from a digital device to your Media Center PC through the removable memory card drive.
8	MS card reader	Transfer files from a digital device to your Media Center PC through the removable memory card drive.
9	E-SATA port	Plug an external drive into this port.
10	IEEE 1394 port	Plug an IEEE 1394 device, such as a digital camrecorder into this 6-pin IEEE 1394 port.
11	USB port * 2	Plug USB devices (such as a USB printer, camera, scanner, or keyboard) into these ports.
12	Headphone jack	Plug amplified speakers or headphones into this jack.
13	Microphone jack	Plug an external microphone into this jack to record or transmit voice files.

Rear View

Asteio D22



Item	Component	Description
1.	USB ports x 4	Plug USB devices (such as a USB printer, camera, scanner, or keyboard) into these ports.
2.	Ethernet jack	Plug 10/100/1000 Ethernet network cable into this jack.
3.	Center Analog Audio Out jack (Line Out)	Plug powered, center/subwoofer speakers or an external audio amplifier into this jack.
4.	Microphone jack	Plug an external microphone into this jack to record or transmit voice files.
5.	Audio Out jack	Line Out for front speakers.
6.	HDMI	Plug an HDMI (High Definition Multimedia Interface) device into this port.
7.	Video In	Plug a coaxial cable from a video source into this jack.
8.	TV 1	Plug a signal cable into this port. (User definable)
9.	LED indicator	Indicates that the wireless LAN card is running.
10.	Power In jack	Plug the power cord into this port.
11.	WIFI Antenna connector	Plug an wireless LAN antenna into this port.
12.	TV 2	Plug a signal cable into this port. (User definable)
13.	DVI port	Plug a digital video output connector for TV/Monitor.
14.	Audio In jack	Plug to an analog audio device such as a CD player into this jack for input into PC.
15.	Rear speaker jack	Plug rear speakers in a multichannel audio configuration.
16.	Side speaker connector	Plug side speakers in an eight-speaker system.
17.	E-SATA port	Plug an external drive to your Media Center PC.
18.	IEEE 1394 port	Plug an IEEE 1394 device, such as a digital camrecorder into this 6-pin IEEE 1394 port.

Item	Component	Description
19.	S-video Out port	Plug in an S-video cable to this port to connect to a TV set.
20.	Component video ports	Plug in a component video cable to connect to a TV set.
21.	S/PDIF port (optical)	Plug an optical (Toslink) digital audio cable into this jack for digital audio transfer.
22.	IR ports x 2	Plug the IR control cables in this port to send input from the remote control to a set-top box to change channels.
23.	S/PDIF port (RCA)	Plug an RCA cable into this jack for digital audio transfer.
24.	Video Out port	Plug an RCA cable into this jack to connect to a TV set.

Note:

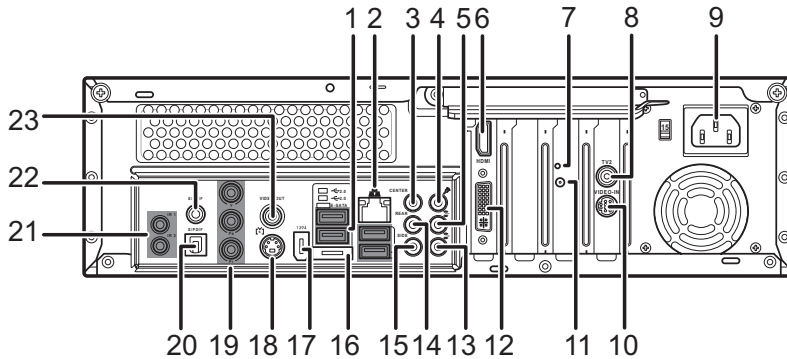
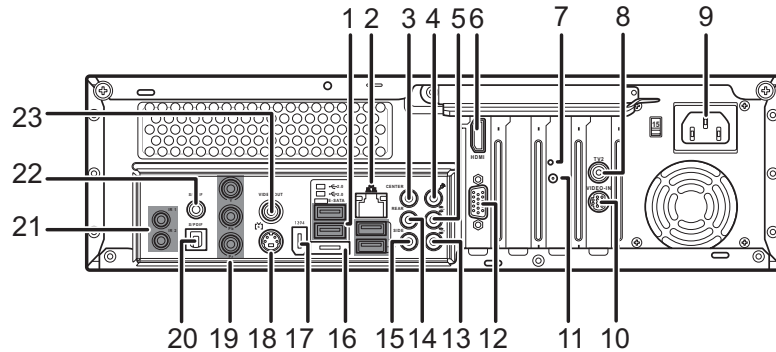
Use the TVConfig software to select the input signal for TV1 and TV2.

Configure the TV settings using the Asus TVConfig feature on your Media Center PC. Open the Asus TVConfig program by clicking the shortcut icon on the desktop or from Programs in the Start menu. Select the device from the drop-down menu and check settings for Analog TV, FM, and DVBT channels respectively.

**Note:**

The TVConfig function is available on D22 only.

Asteio D20

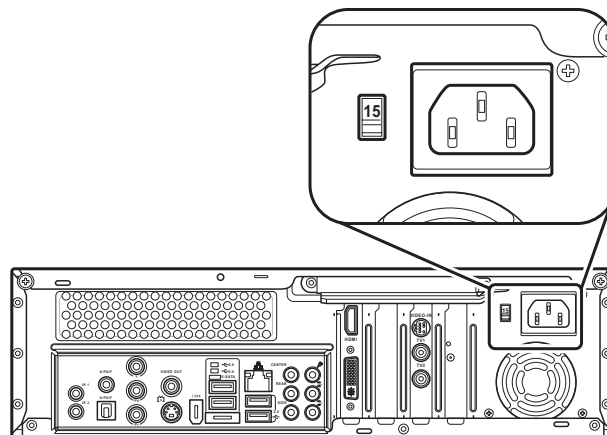


Item	Component	Description
1.	USB ports x 4	Plug USB devices (such as a USB printer, camera, scanner, or keyboard) into these ports.
2.	Ethernet jack	Plug 10/100/1000 Ethernet network cable into this jack.
3.	Center Analog Audio Out jack (Line Out)	Plug powered, center/subwoofer speakers or an external audio amplifier into this jack.
4.	Microphone jack	Plug an external microphone into this jack to record or transmit voice files.
5.	Audio Out jack	Line Out for front speakers.
6.	HDMI	Plug an HDMI (High Definition Multimedia Interface) device into this port.
7.	LED indicator	Indicates that the wireless LAN card is running.
8.	TV	Plug a TV signal cable into this port.
9.	Power In jack	Plug the power cord into this port.
10.	Video In	Plug a coaxial cable from a video source into this jack.

Item	Component	Description
11.	WiFi Antenna connector	Plug an wireless LAN antenna into this port.
12.	VGA port/ DVI port	Plug a digital video output connector for TV/Monitor. Plug a digital video output connector for TV/Monitor.
13.	Audio In jack	Plug to an analog audio device such as a CD player into this jack for input into PC.
14.	Rear speaker jack	Plug rear speakers in a multichannel audio configuration.
15.	Side speaker connector	Plug side speakers in an eight-speaker system.
16.	E-SATA port	Plug an external drive to your Media Center PC.
17.	IEEE 1394 port	Plug an IEEE 1394 device, such as a digital camrecorder into this 6-pin IEEE 1394 port.
18.	S-video Out port	Plug in an S-video cable to this port to connect to a TV set.
19.	Component video ports	Plug in a component video cable to connect to a TV set.
20.	S/PDIF port (optical)	Plug an optical (Toslink) digital audio cable into this jack for digital audio transfer.
21.	IR ports x 2	Plug the IR control cables in this port to send input from the keyboard or remote a set-top box to change channels.
22.	S/PDIF port (RCA)	Plug an RCA cable into this jack for digital audio transfer.
23.	Video Out port	Plug an RCA cable into this jack to connect to a TV set.

Notes:

- The connectors may vary depending on the model you purchase.
- Ensure you use the correct voltage as recommended by the manufacturer before turning on your Media Center PC. Check the voltage label located on the left of the Power In jack.



Making connections

Connecting the TV signal source

Your Media Center PC has connectors for Video-In or coaxial (TV) input. Select the connector that your video source supports:

- **Video-In**

The video signal that provides the highest quality video for your Media Center PC. If you use Video-In, you also need to connect the audio source using RCA stereo plugs.

- **Coaxial (TV)**

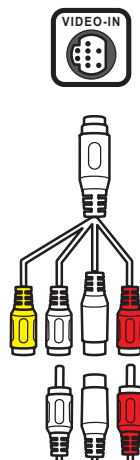
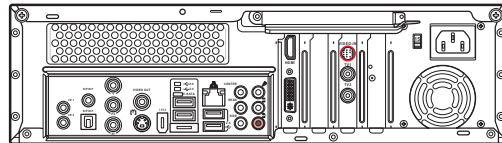
The video and audio signals are both carried on one cable. The coaxial cable is the easiest way to connect a direct cable or an antenna video source to your Media Center PC.

Note:

In a MCE environment, if the device is set to receive digital TV signals, the analog TV and FM radio functions will be disabled and vice versa.

Connecting to the TV signal using S-video

1. Connect the Video-In cable provided from a video source such as a cable set-top box, a satellite set-top box, or other video source device, to the Video In adapter cable provided. Next, connect it to the Video-In port on the back of your Media Center PC.
2. Connect an RCA cable from the Audio Out jacks on the video device to the Line In (red) jack on the back of your Media Center PC.

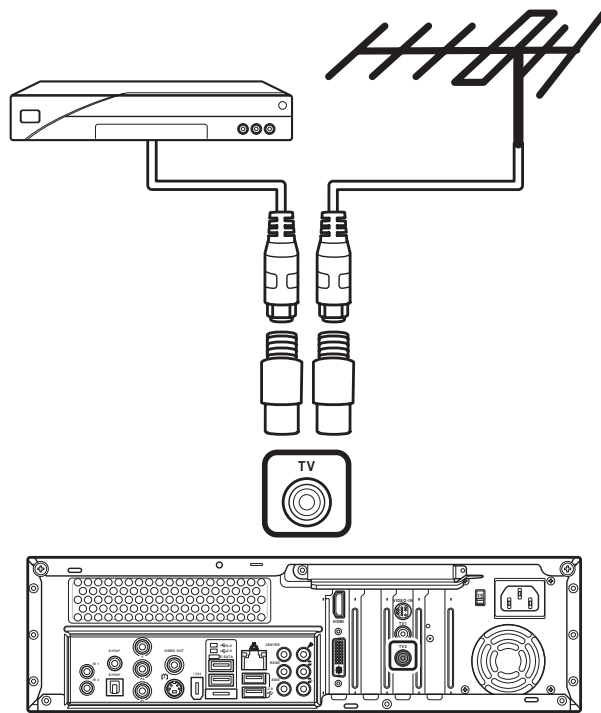


Note:

You need to use the RCA adapter cable to connect to the RCA cables.

Connecting to the TV signal / Coaxial TV

Connect a coaxial cable (not included) from a video device, such as a direct cable connection, a cable set-top box, a satellite set-top box, or an antenna, to the TV2 jack on the back of your Media Center PC.



Configure the TV settings using the Asus TVConfig feature on your Media Center PC. Open the Asus TVConfig program by clicking the shortcut icon on the desktop or from Programs in the Start menu. Select the device from the drop-down menu and check settings for Analog TV, FM, and DVBT channels respectively.



Note:

The TVConfig function is available on D22 only.

Connecting the TV signal source to an existing setup

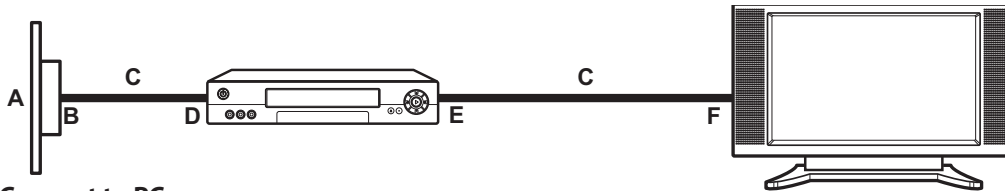
This section describes how to connect the Media Center PC to an existing setup for your TV signal source.

Wall to VCR to TV using coaxial cable

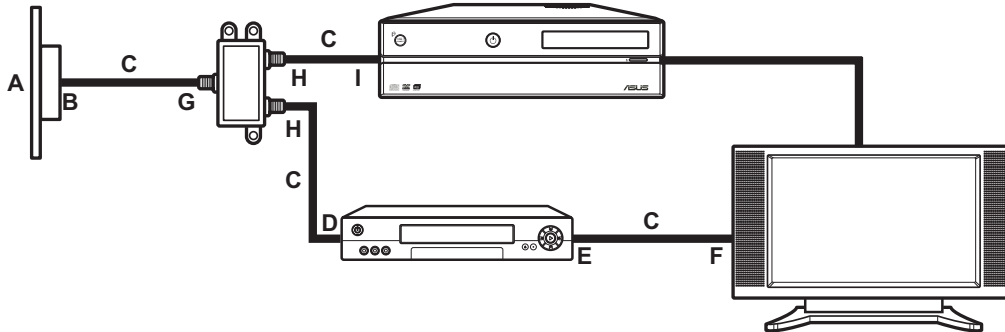
Remove the coaxial cable at the input to the VCR, and connect it to the input of a coaxial cable signal splitter (not included). Connect two coaxial cables to the splitter outputs.

Connect one of these cables to the input of the VCR and the other to the TV connector on the back of the Media Center PC.

Existing setup



Connect to PC



- A Wall
- B Cable outlet
- C Coaxial cable
- D VCR In
- E VCR Out
- F TV In
- G Splitter In
- H Splitter Out
- I TV In jack on the back of the Media Center PC

Note:

Splitters are not included.

Wall to cable TV set-top box, or satellite box to VCR to TV using coaxial cable

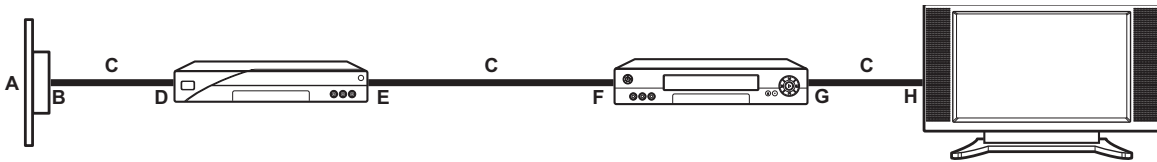
Remove the coaxial cable at the input to the VCR, and connect it to the input of a coaxial cable signal splitter (not included). Connect two coaxial cables to the splitter outputs.

Connect one of these cables to the input of the VCR and the other to the TV connector on the back of the Media Center PC.

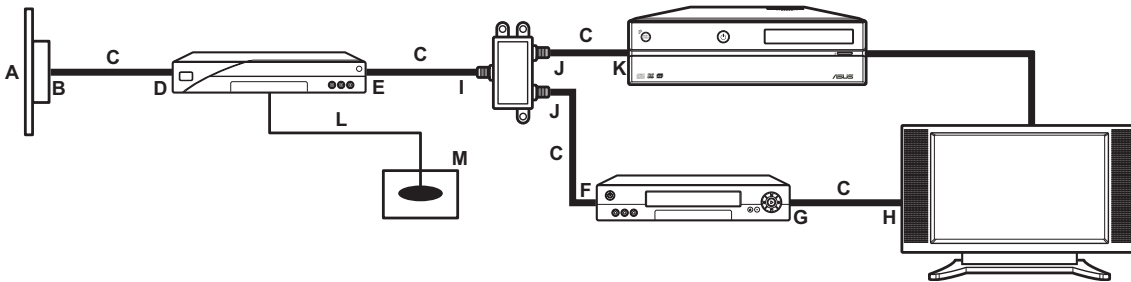
Note:

Connect your set-top box to the VCR using the coaxial cable.

Existing setup



Connect to PC



- A Wall
- B Cable outlet
- C Coaxial cable
- D Set-top box/Satellite In
- E Set-top box/Satellite Out
- F VCR In
- G VCR Out
- H TV In
- I Splitter In
- J Splitter Out
- K TV In jack on the back of the Media Center PC
- L Remote control sensor cable
- M Remote control sensor

Note:

Splitters are not included.

Using the TV as a Monitor

The TV-out capability of your PC enables you to connect it to a TV to view the image from your PC on a TV screen. With the TV-out feature, you can view the PC image, watch DVD movies, or play games on your TV.

Cables for connecting to a TV

To connect your Media Center PC to a TV, you will need to use a video cable and an audio cable. The type of video cable you need depends on your TV model.

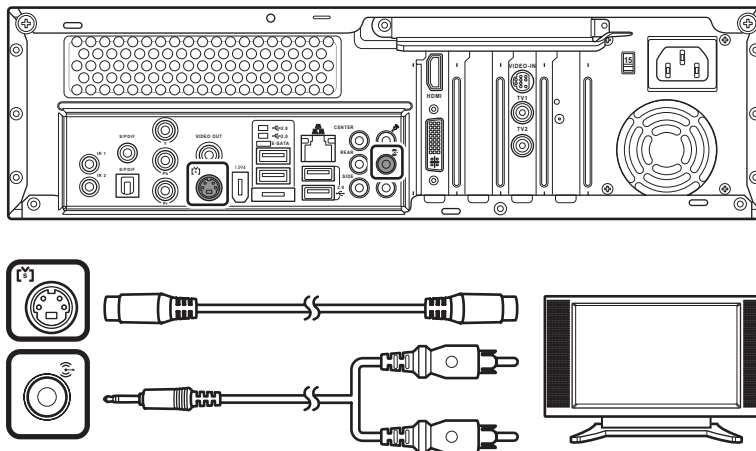
You can also connect your Media Center PC to your TV with one of the following ways:

- S-video with stereo audio
- Component video (YPbPr) with stereo audio
- Video with stereo audio
- DVI with stereo audio
- HDMI
- SCART
- DVI to VGA converter with stereo audio

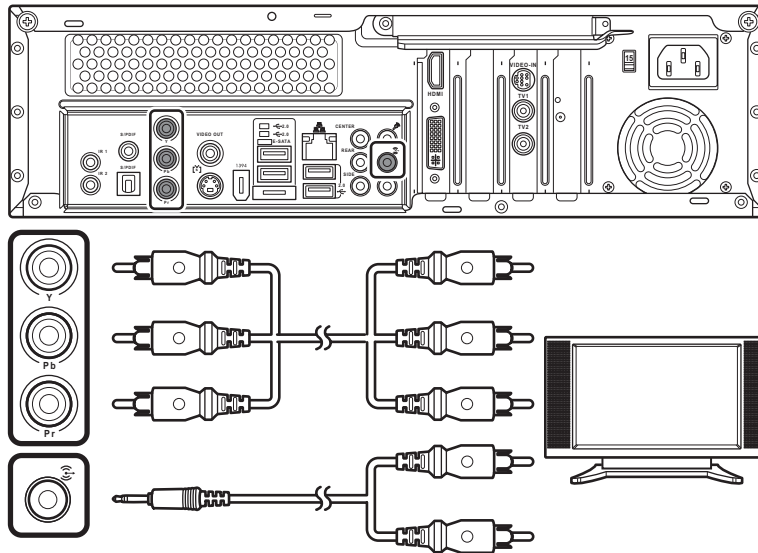
Connecting to a TV

1. Turn off your Media Center PC.
2. Connect the TV cable using one of the following arrangements, depending on the connection jacks on your TV.

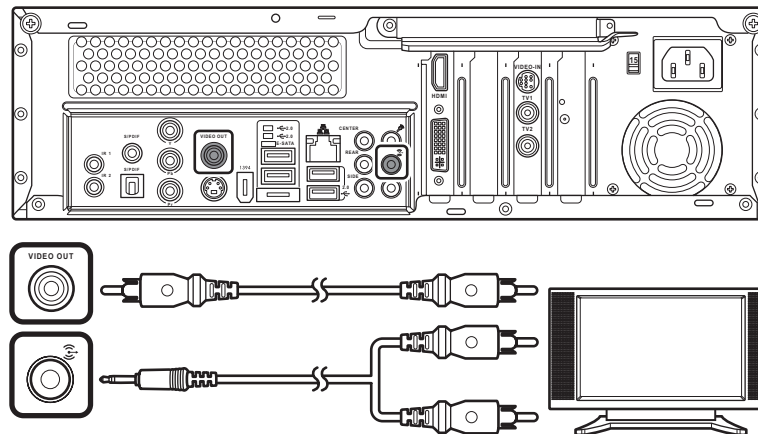
If your TV has an **S-video jack**, connect an S-video cable from the **S-video In** jack on the TV to the **S-video Out** jack on the back of your Media Center PC.



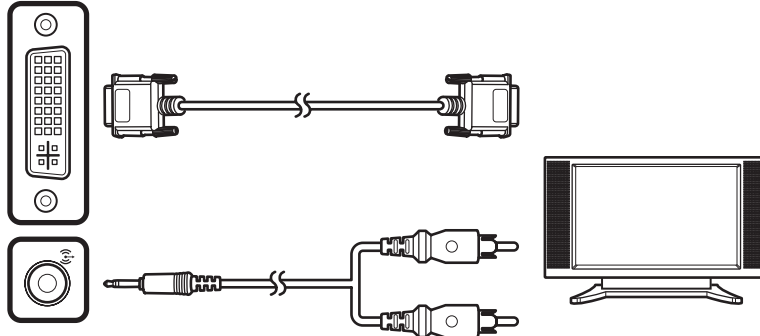
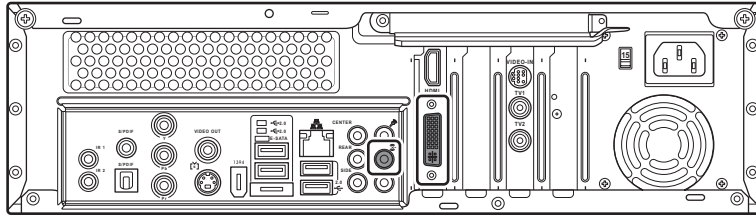
If your TV has a **component video** input jack, connect a component video cable to the **Component Video** jack on the TV and to the component video out jack on the back of your Media Center PC.



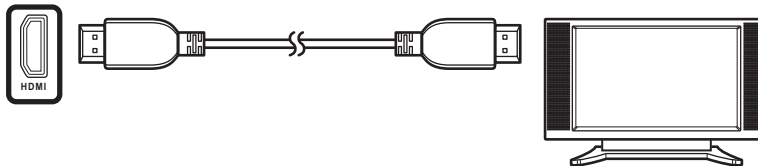
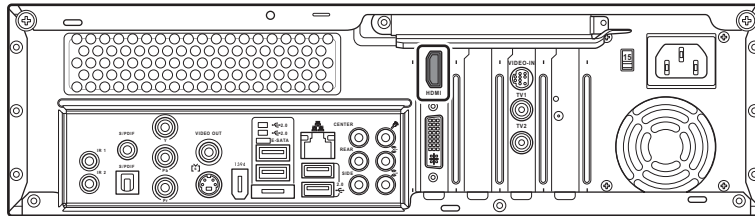
If your TV has a **video input** jack, connect a video cable to the **Video In** jack on the TV and to the **Video Out** jack on the back of your Media Center PC.



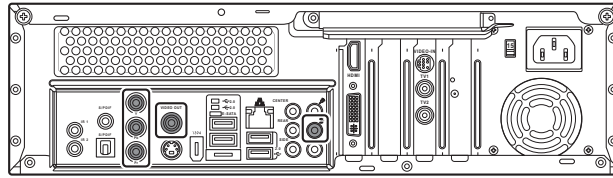
If your TV has a **DVI** connector, connect a DVI cable to the DVI connector on the TV and to the **DVI** connector on the back of your Media Center PC.



If your TV has a **HDMI** connector, connect a HDMI cable to the HDMI connector on the TV and to the **HDMI** connector on the back of your Media Center PC.

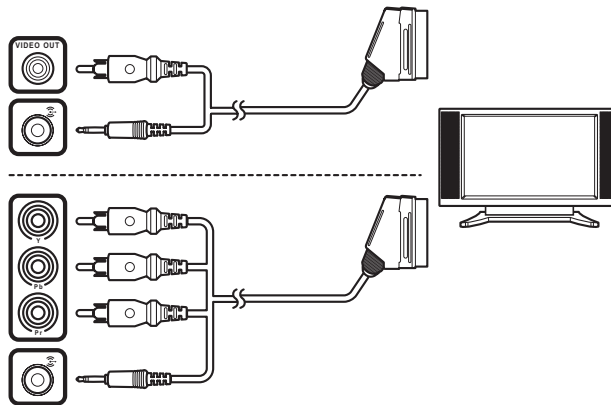


If your TV has a **SCART** connector, connect a SCART/composite video cable to the **SCART** connector on the TV and to the **Video Out** and **Line Out** (lime green) connectors on the back of your Media Center PC. You can also connect your Media Center PC to a TV using a SCART/component video cable as shown below.

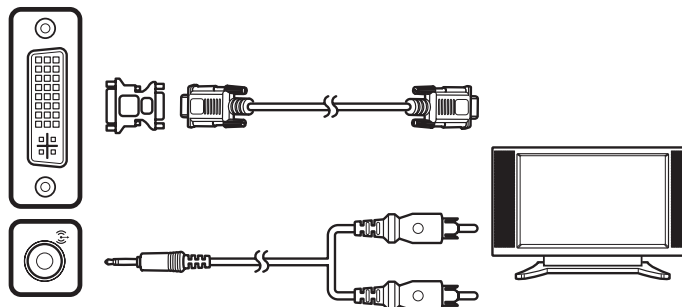
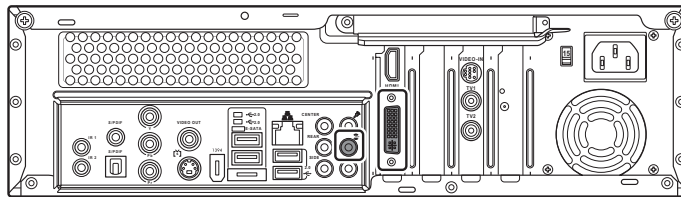


Notes:

The cables shown are for illustrative purposes only. Packaged cables may vary.



If your TV has a **VGA** connector, first plug a **VGA** converter to the **DVI** connector on the back of your Media Center PC (for Asteio D22 only), and then connect your PC to the TV using a VGA cable.



3. Turn on the TV and select the **TV In** video source or **PC** source according to your TV model.

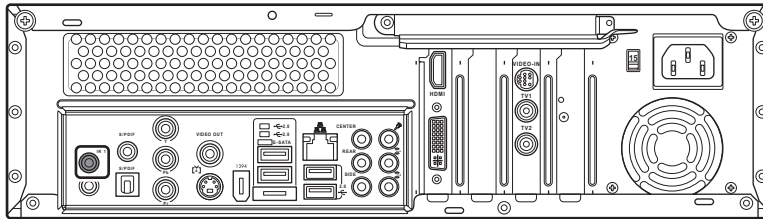
Note:

Openings in the computer case are provided for ventilation. Do not block or cover these openings.

Connecting Infrared Receiver to external device

To connect an external device such as a set-top box or or a monitor, do the following:

1. Connect one end of the IR cable to the IR port on the back of your Media Center PC.
2. Connect the other end of the IR cable to the set-top box as shown.



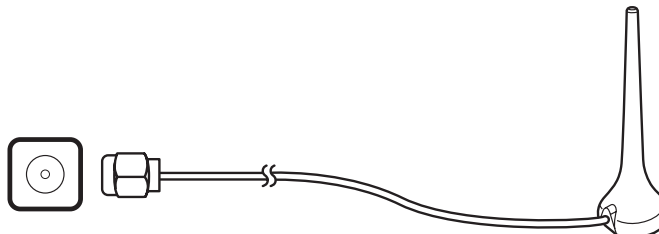
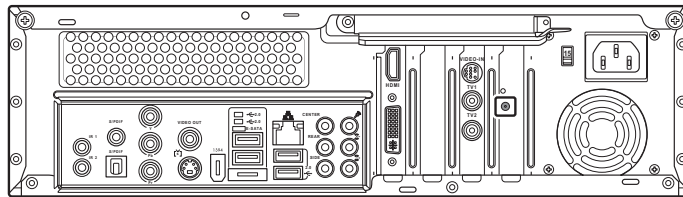
Note:

There are two IR ports available for connection.

Installing the wireless LAN antenna

To connect an external antenna to the wireless LAN card, do the following:

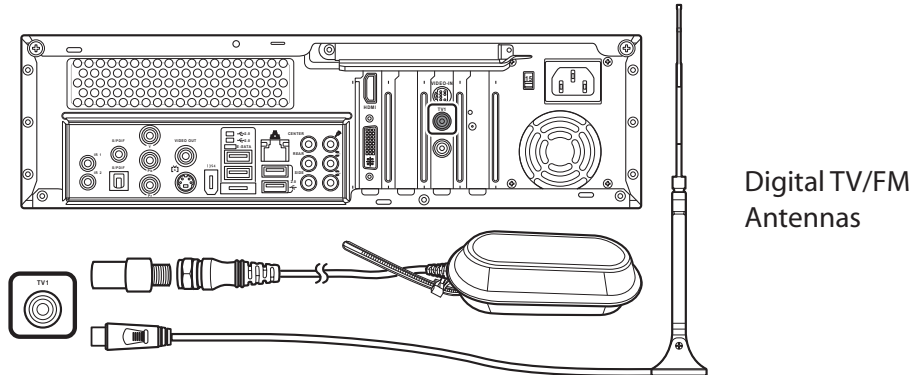
1. Fasten the external antenna provided to the wireless LAN connector on the back of your Media Center PC until tight.
2. The LED indicator starts flashing indicating the reception of WLAN signals.



Installing the digital TV/ FM antenna

To connect the digital TV /FM antenna, do the following:

1. Fasten the NTSC to PAL converter to the digital TV /FM antenna provided.
2. Connect the digital TV /FM antenna to TV jack on the back of your Media Center PC.



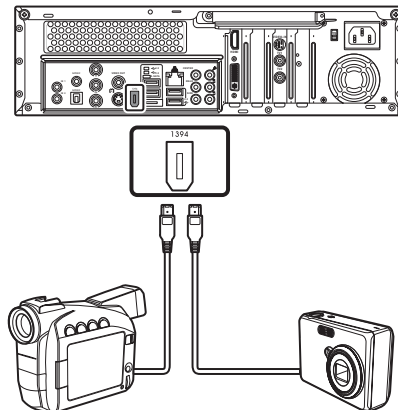
Notes:

- The antennas shown are for illustrative purposes only. Packaged antenna may vary.
- The reception signal and quality of the Digital TV/FM antennas may vary in different regions.

Connecting to a digital video camera

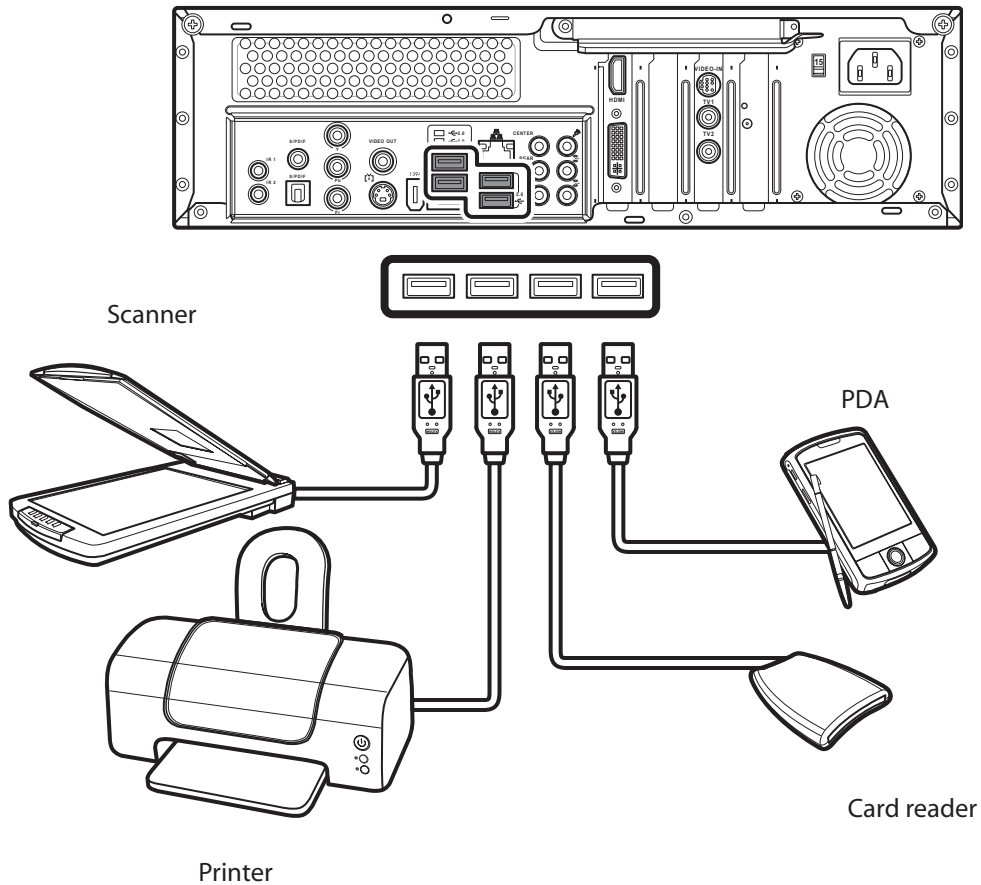
To connect a digital camera or a digital video camera, do the following:

1. Turn on your Media Center PC, and wait for Windows XP to start.
2. Connect the video camera transfer cable into the camera and then into a free USB port or an IEEE 1394 (FireWire) port on your Media Center PC.
3. A **Found New Hardware** message appears. Follow the on-screen instructions to make necessary settings for the new found device. When installation is complete, a message appears telling you the camera is ready to use.



Connecting to other devices







Other peripheral devices such as a printer, scanner, card reader, and PDA can also be connected to your Media Center PC.



Configuring Speaker and Sound Options

Asus Media Center PC supports many different audio options, sound connections, and speaker configurations. You may set up your PC to use two stereo speakers or a multi-channel audio speaker system. Connect your speaker system to the PC, and then configure the audio software for sound output.

Asus Media Center PC includes six sound connectors on the back of your PC. You can connect up to a 7.1 audio systems to the PC.

Sound connector	Description
SIDE 	Line SIDE (grey) connects to side speakers in an eight-speaker system. (7.1)
CENTER 	Line CENTER (orange) connects to center/subwoofer speakers in a multi-channel audio configuration.
REAR 	Line REAR (black) connects to rear speakers in a multi-channel audio configuration.
	Line Out (lime green) connects to front speakers.
	Line In (red) connects to an analog audio device such as a CD player for input into PC.
	Mic (light blue) connects to a microphone.

Speaker configurations

You may set up your Media Center PC for the following supported configurations:

Name	Speaker System
Headphones	None.
2 (stereo)	Left speaker, right speaker.
2.1	Left speaker, right speaker, and a subwoofer.
4.1	Two front speakers, two rear speakers, and a subwoofer.
6/ 5.1	Two front speakers, two rear speakers, a center speaker, and a subwoofer.
8/ 7.1	Two front speakers, two rear speakers, two side speakers, a center speaker, and a subwoofer.
Home audio system	Home stereo or home theater audio system with passive speakers.

Speaker types

Your PC supports only an active (powered) speaker system. An active speaker system must have its own power source. A home audio system does not require active speakers because the receiver provides amplification.

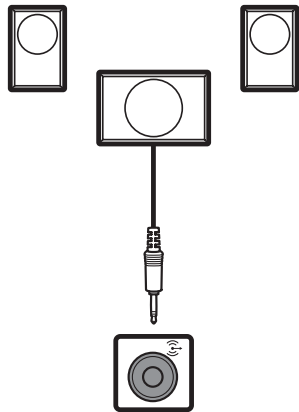
A stereo speaker set is a left-right, two channel speaker system. A multi-channel audio speaker has a left-right front and left-right rear channel, and it may include a subwoofer and a center speaker. Side speakers are included in more advanced systems. A subwoofer provides enhanced bass sounds.

“.1” indicates a subwoofer. For instance, 7.1 channels refers to an eight-speaker mode and uses two front speakers (left-right), two side speakers (left-right), a center speaker, and a subwoofer.

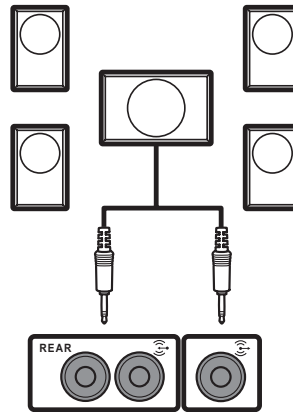
Connecting audio speakers

Refer to the illustrations below to connect audio speakers to your Media Center PC according to your speaker system. After connecting the speakers to the PC, configure the audio settings for sound output for your Media Center PC.

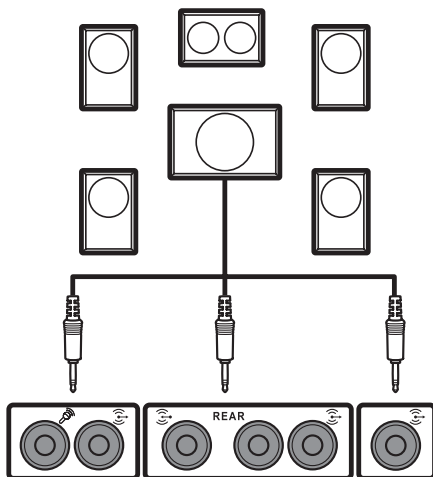
2 Speakers



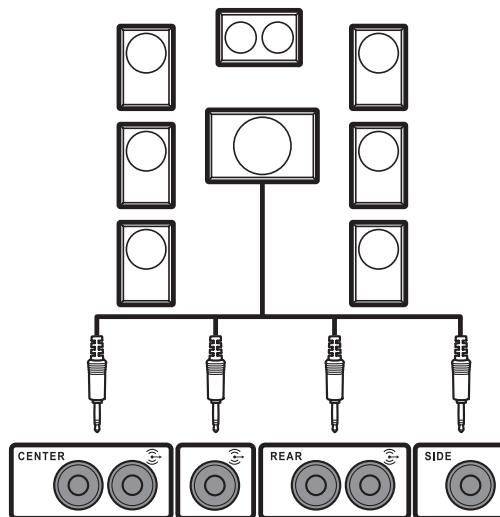
4 Speakers



5 Speakers and a subwoofer



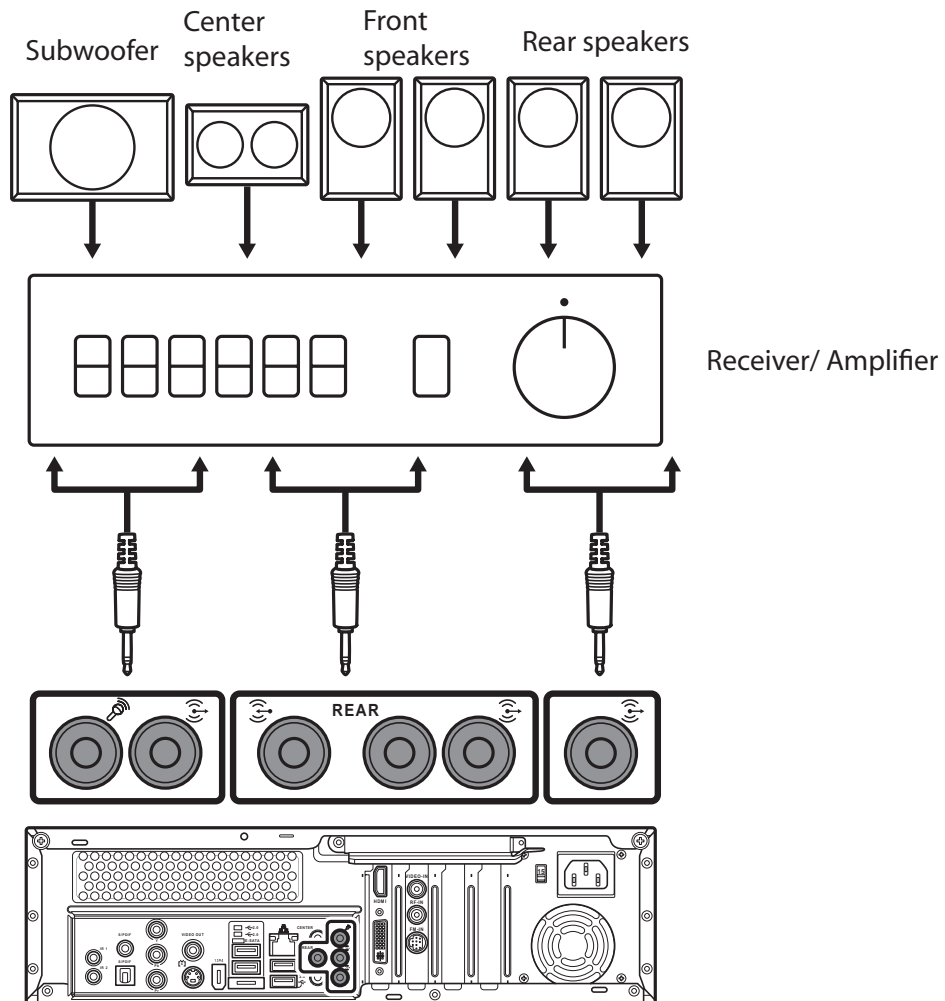
7 Speakers and a subwoofer



Connecting your Media Center PC to a home audio system

You can connect your Media Center PC to your home stereo or home theater multi-channel audio receiver/amplifiers using your existing speakers.

Most home receiver/amplifiers have RCA-type input connectors. You may require Y adapter cables to connect the receiver/amplifiers to your Media Center PC (optional).



Configuring audio output settings


You can configure your speaker's audio output with the SoundMax software or the Media Center software installed on your Media Center PC.

Configuring audio output with SoundMax Audio Wizard

After installing the speakers to your Media Center PC, follow the steps below to configure audio settings:







1. Click **Start** on the taskbar to launch the Windows Start menu.
2. Click **All Programs**.
3. Select **SoundMax** to open the program. The SoundMax window opens with the one of the control screens.



4. Click the Audio Wizard  icon on the taskbar to configure audio output settings for your speaker system.
5. Select the option describing the number of speakers in your system from the drop-down box.
6. The Volume Adjustment window appears. Adjust volume for each speaker by moving the volume bars or adjust the volume for all speakers simultaneously with the main volume control in the middle of the screen.
7. Click **Next**. The microphone volume adjustment screen appears. Click **Microphone Test** to test the microphone and click **Next** to proceed.
8. Click **Finish** to exit the SoundMax Audio Wizard.

Using the SoundMax taskbar

The SoundMax window consists of the following functions:

1.  Audio Wizard: Click to open the Audio Wizard screen and configure audio out settings.
2.  Default settings: Click to restore all settings to factory defaults.
3.  Preference settings: Click to open the preference settings window and adjust settings to suit your needs.
4.  Volume control: Click to show/hide the volume control screen.
5.  Record setting: Click to show/hide the record settings screen.
6.  Help: Click to display the Help window.

Configuring audio output with Windows XP Media Center

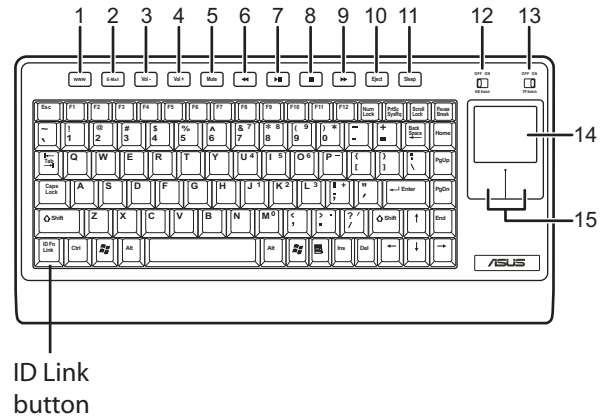
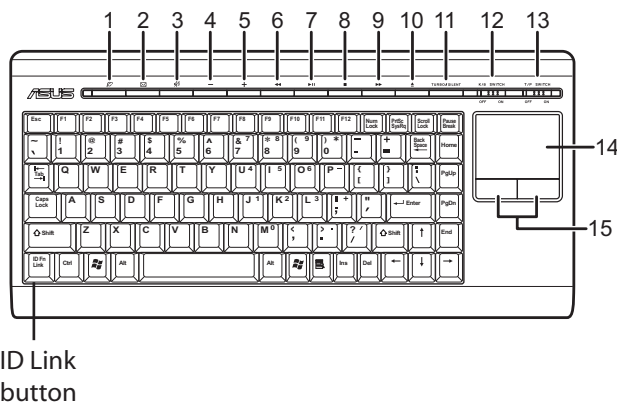
1. Click **Start** on the taskbar to launch the Windows Start menu.
2. Click **All Programs**.
3. Select **Windows XP Media Center** to open the program. The Windows XP Media Center window opens on the screens.
4. Choose **Settings** from the main menu.
5. Choose **Speaker Configuration** and click **Next**.
6. Select the number of speakers in your system and click **Next**.
7. Test your speakers' audio output. Select the test outcome and click **Next** to proceed.
8. Click **Finish** to exit.

Using the PC hardware

Using the wireless keyboard

Your Media Center PC includes a wireless keyboard with a built-in receiver/transmitter. A light on the upper right corner of the keyboard indicates receiver activity.

Using the special keyboard buttons



Refer to the table below to familiarize yourself with the functions of the special keyboard buttons.

Item	Feature	Description
1.	Internet	Press to open your Internet browser.
2.	E-mail	Press to open an e-mail program.
3.	Mute	Press to disable audio.
4.	Volume down	Press to decrease the volume.
5.	Volume up	Press to increase the volume.
6.	Rewind	Press to rewind a media file.
7.	Play/Pause	Press to play or pause a media file.
8.	Stop	Press to stop a media file.
9.	Forward	Press to fast-forward a media file.
10.	Eject	Press to eject the disc tray.
11.	Turbo/Silent	Press to toggle between Turbo / Silent mode
12.	Keyboard power switch	Turns the keyboard power on/off.
13.	Touch pad switch	Enables/disables the touch pad function.
14.	Touch pad	Allows mouse movement by dragging a fingertip across the surface.
15.	Left/right click buttons	Act as left/right click buttons of a regular mouse.

Note:

The keyboards shown above are for illustrative purposes only. Packaged keyboard may vary.

Notes:

- If your Media Center PC cannot detect the wireless keyboard, press the **Connect** button on the upper left corner of the front panel and the **ID Link** button on the lower left corner of the keyboard.

- Your Media Center PC features two operating modes:

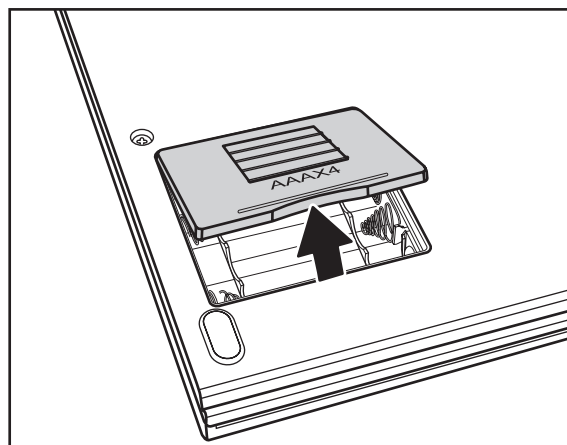
Silent mode: In Silent mode, the system automatically reduces the CD-ROM transfer rate and the speed of the CPU and GPU. This provides the user with a quiet working environment. This is the default system mode.

Turbo mode: In Turbo mode, the system will use the highest CD-ROM, CPU and GPU speeds possible to achieve optimum performance. This is ideal for tasks demanding high performance, such as video games or multi-function media processing.

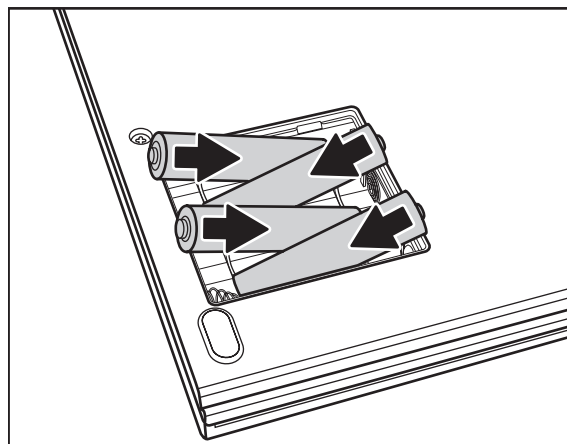
- The wireless keyboard is equipped with a power saving mode to reduce power consumption. When the wireless keyboard is left idle for more than three minutes, it enters the power saving mode. Press any key (excluding the touch pad and the left/right click buttons) to return to normal mode. (In power saving mode, the battery consumption is 1.88% of that in normal mode.)

Inserting keyboard batteries

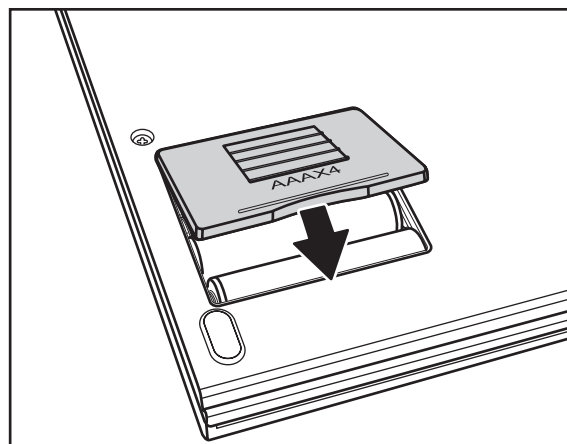
1. Open the battery compartment on the back of the keyboard.



2. Insert the batteries paying attention to the polarity markings inside the battery compartment.



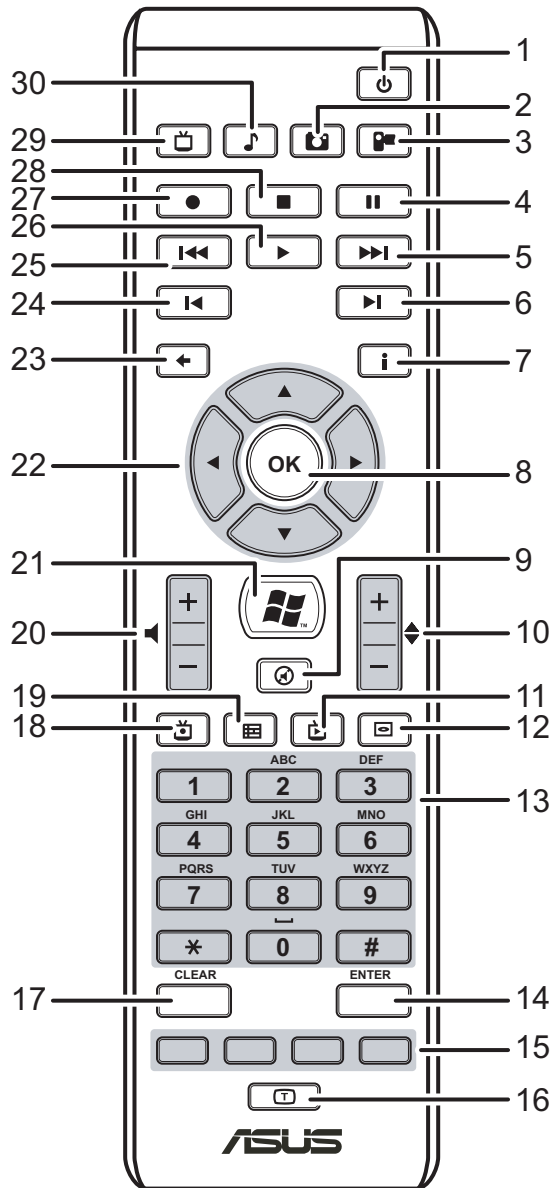
3. Replace the battery compartment cover.



Using the remote control

Use the remote control to open the Windows XP Media Center program, and use it to view TV, record TV programs, play previously recorded programs or other media files such as music, video, or movies.

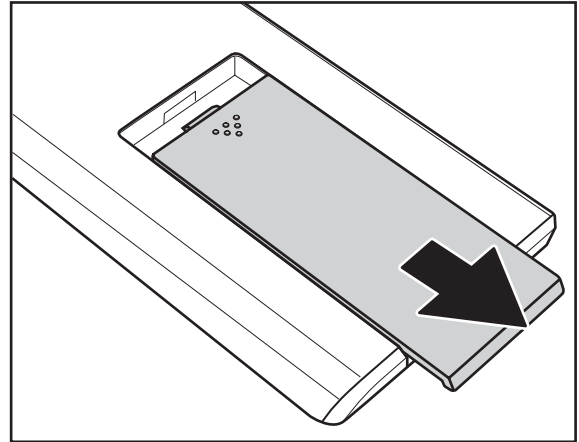
Refer to the table below to familiarize yourself with the functions of the remote control buttons.



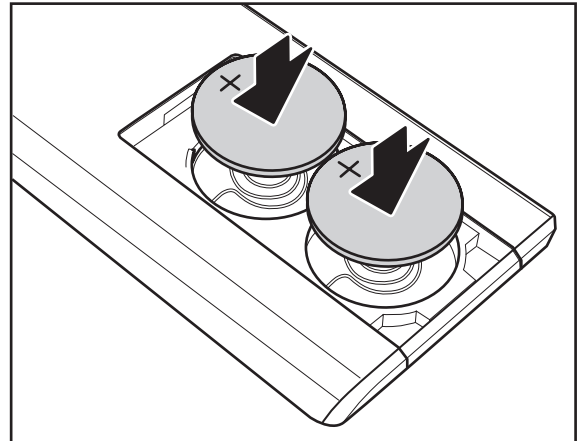
Item	Name	Description
1.	Power	Press to turn off the power of the screen and the speakers. (Away mode)
2.	Photo	Press to enter the Photo mode.
3.	Video	Press to enter the Video mode.
4.	Pause	Press to pause a media during media playback.
5.	Fast-forward	Press to fast-forward a media file.
6.	Next track	Press to go to the next track.
7.	Information	Press to display the program information screen.
8.	OK button	Press to confirm an action.
9.	Mute	Press to disable audio.
10.	Channel up/down	Press to change channels when watching TV.
11.	Live TV button	Press to watch live TV programs.
12.	DVD button	Press to switch to DVD source.
13.	Numeric keys	Press to enter a channel number directly.
14.	Enter	Press confirm a selection.
15.	Teletext buttons	Only available on European models.
16.	Shift button	Toggles between numerical and alphabetical input.
17.	Clear	Press to clear input information.
18.	TV Recording	Press to start recording the current TV program.
19.	EPG (Electronic Program Guide)	Press to display the electronic program guide screen.
20.	Volume up/down	Press to increase/decrease audio.
21.	Windows Media Center	Press to open the Media Center program.
22.	Four-way navigation keys	Press to scroll through on-screen display menus.
23.	Return	Press to return to the previous page.
24.	Previous track	Press to go back to the previous track.
25.	Rewind	Press to rewind a media file.
26.	Play	Press to playback a media file.
27.	Record	Press to start recording.
28.	Stop	Press to stop playing back a media file.
29.	TV	Press to enter the TV mode.
30.	Music	Press to enter the Music mode.

Inserting remote control batteries

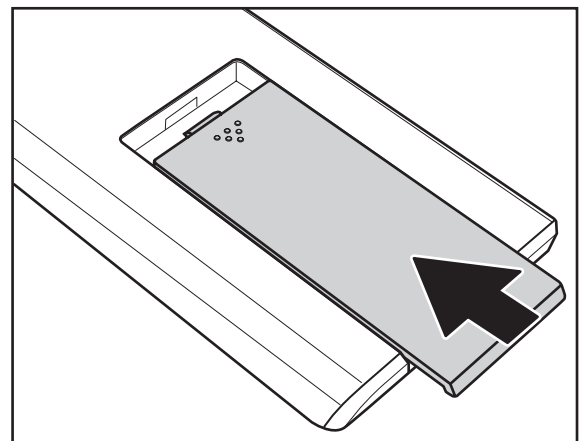
1. Open the battery compartment on the back of the remote control.



2. Insert the batteries paying attention to the polarity markings inside the battery compartment.



3. Replace the battery compartment cover.



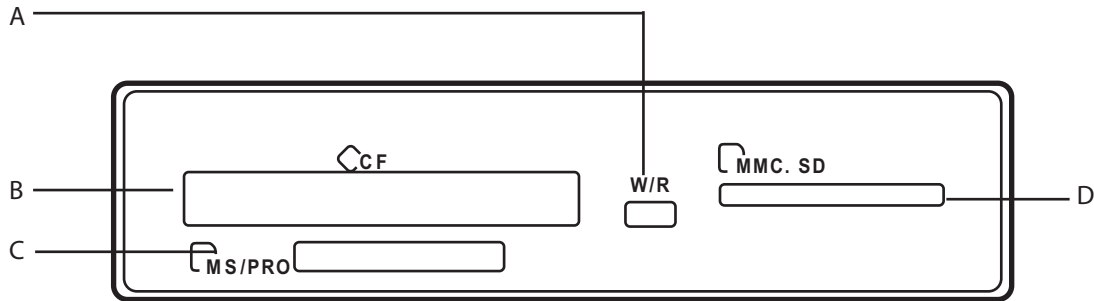
Using the memory card reader

Digital cameras and other digital imaging devices use memory cards to store digital picture or media files. The built-in memory card reader on the front panel of your Media Center PC allows you to read and write to a variety of memory cards drives.

You can place media in one or more of the card slots and use each media independently. Place only one memory card in a slot at one time. Each card slot has its own driver letter and icon which are displayed on the **My Computer** screen.

Refer to the illustration below to familiarize yourself with the memory card reader slots.

Memory card insertion guide



Item	Name	Description
A	Activity LED	Indicates data is being read or written
B	CF slot	Supports MD, CF Type I/II
C	MS/MS PRO Slot	Supports MS/MS-Pro, MS duo, MS pro duo
D	MMC/SD slot	Supports SD, mini SD (Micro SD through adapter), MMC, MMC4.x, RS MMC, RSMMC4.x (MMC mobile through adapter)

To use the memory card reader, do the following:

1. Gently insert the memory card into the appropriate card slot until it stops.
2. An Autoplay window opens. Select a program to access the files saved on the memory card. The Media Center PC opens a program so you can access the memory card contents. You can copy files from or to the memory card.

OR

If the Autoplay window does not open automatically, you can click **Start**, and select **My Computer**, and then double-click the memory card icon to display the contents on the memory card.

3. When you have finished working with your memory card, right-click the drive icon and select **Eject**. When the activity light has stopped blinking, remove the memory card from the card slot.

Note:

When the activity light is still blinking, do not remove the memory card. Doing so may cause loss of data or damage the memory card.




"DTS CONNECT," "DTS INTERACTIVE" and "DTS NEO:PC" are trademarks of DTS, Inc. "DTS" is a registered trademark of DTS, Inc.



Starting the Windows XP Media Center

You can take full control of the Windows XP Media Center from your wireless keyboard/mouse, and the remote control. Use the device that is most comfortable for you.

You can start Windows XP Media Center in one of the following two ways:

- To start Windows XP Media Center from the Start menu:
 - Click **Start**, and choose **Media Center** from the Start menu.
- To start Windows XP Media Center with the remote control:
 - Press the **Media Center**  button on your remote control.

Using My TV

You can take control of your TV viewing experience with the **My TV** feature. Use **My TV** to watch live TV programs, record TV programs, watch buffered TV, watch recorded programs, view program information, and more.

Watching a TV program

1. On the remote control, press the **TV** button. The last viewed TV channel is displayed.
2. Use the **Channel up/down** buttons to change channels while watching TV.

Recording TV programs

1. Use the **Channel up/down** or the numeric keys to select the program that you wish to record.
2. Press the **Record** button on the remote control to start recording.

Playing TV recordings

My TV automatically records TV programs to a program buffer when you are watching TV. When you pause live TV programs, **My TV** continues recording the program for up to 30 minutes so you can watch the program from where you previously left off.

1. Press the **Pause/ Stop** button to pause/stop the live TV program and start program buffering.
2. Press the **Play** button to resume watching TV where you left off when you pressed the **Pause/Stop** button.

Notes:

- The far end live TV access function under Broadcast On-the-Go varies from region to region according to its respective signal setting.
- The copyright of the software on the supplied CD belongs to its respective holders. Asus is not responsible for providing upgrade or troubleshooting services.

Using My Music

My Music allows you to enjoy a complete music experience. You can listen to CDs, view artist information, create your own music playlists, categorize and listen to music by genres, and more.

Adding music CDs to the Media Library

1. Click **Start** and select **Windows Media Player** from the Start menu.
2. Insert the CD you want to add to the Media Player's Media Library.
3. On the left side of the Media Player, click **Copy from CD**, and then click **Copy Music**.
4. Click **Add copy protection to your music**, and then check the box next to the copyright statement to continue copying the CD to your Media Center PC.
5. Select **Change my current format settings** or **Keep my current format settings**, and then click **Finish**. The CD copies to your hard drive.

Playing Music

1. Press the **Music** button on the remote control to open **My Music** screen.
2. You can select the music you want to listen by Albums, Artist, Playlists, Songs, or Genres.

Using My Pictures

My Pictures makes it easy and fun to look at and manage your digital photos. You can browse the pictures individually or playing them as a slide show with music background.

Viewing pictures

1. Press the **Photo** button on your remote control to open **My Pictures** window and the picture folders are displayed.
2. Use the Four-way navigation keys to select photo folder you want view and press **OK**. The picture folder opens.
3. Highlight a picture you want to view and press the **OK** button.

You can select **Play slide show** on the sidebar to play the pictures in the selected folder in a slide show.

Using My Videos

My Videos makes it easy to enjoy digital videos. You can watch and share your videos as well as organize them by name or date.

Viewing videos

1. Press the **Video** button on your remote control to open the **My Videos** window and the video folders are displayed.
2. Use the Four-way navigation keys to select video folder you want view and press **OK**. The video folder opens.
3. Highlight a video you want to watch and press the **OK** button to start playback.

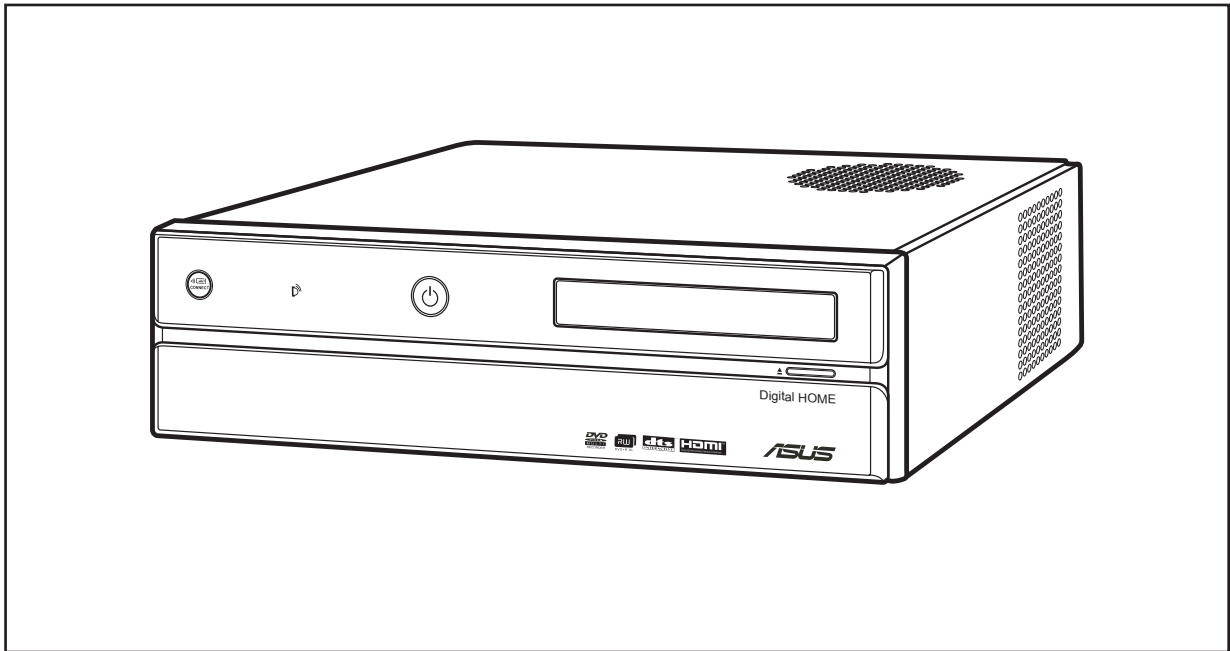
Specifications

Model	D22	D20
OS	Microsoft Windows XP Media Center Edition	
Inter ViiV	Inter ViiV v 1.5	
CPU	Intel Conroe E6300 1.86 GHz, FSB 1066/800 MHz, 2M L2 Cache	
Chipset	Intel Broadwater P965 + ICH18-DH	Intel Broadwater G965 + ICH18-DH
Graphics	NVIDIA nForce4 7600 series (256M, DDR3)	Intel GMA X3000
Memory	1GB (DDR2 533 512M x 2), Dual channel	
HDD	250G SATA2, NCQ, 7200rpm	160G SATA2, NCQ, 7200rpm
Optical	16X DVD Dual Supermulti DL	
Tuner	Dual Channel (2A/2D/1A1D) with Radio , PCI-E x 1	Hybrid with Radio (Analog /Digital), PCI
Wireless	802.11b/g	
LAN	10/100/1000 Mbps	
Card reader	13-in-1 CF slot: MD, CF type I & II MS slot: MS, MS pro, MS duo, MS pro duo SD/MMC slot: SD, Mini SD (Micro SD through adapter), MMC, MMC4.x, RS MMC, RSM MMC4.x (MMS mobile through adapter)	
Expansion slots	1 x PCI-E x 16, 2 x PCI-E x 1, 1 x PCI	
S-ATA	SATA II x 4, eSATA x 2	
Audio	Intel High Definition Azalia, 7.1 Channel	
Front panel	USB 2.0 x 2, IEEE 1394 (4-pin) x1, eSATA port x 1, Microphone jack x 1, Headphone jack x 1, 13-in-1 card reader x 1	

Model	D22	D20
Rear panel	USB 2.0 port x 4, IEEE 1394 port x 1, eSATA port x 1,	
	Video Out ports: HDMI x 1, Component video port (Y/Pb/Pr) x 1, DVI out x1 (for D22) , D-Sub out x 1 (for D20), Composite video port (RGB) x 1, SCART x 1, DVI to D-Sub adapter x 1 (for D22), HDMI to DVI adapter x 1 (for D20)	
	Video In ports: Composite video port (RGB) x 1 (by adapter cable), S-video port x 1 (by adapter cable), TV In x 2 (for D22), TV In x 1 (for D20)	
	Audio Out: 7.1 channel speaker output x 1, S/PDIF port x 1, Coaxial connector x 1, Composite video port (L/R) x 1 (by adapter cable)	
	Audio In: Composite video port (L/R) x 1 (by adapter cable)	
	10/100/1000 Ethernet port x 1	
Power supply	275 W (PFC)	
Dimension	357 mm (W) x 95 mm (H) x 398 mm (D)	
<p>Specifications are subject to change without prior notice. Asus reserves the right to replace the component materials and accessories to provide customers with optimum serviceability.</p> <p>Check the package contents with your vendor upon purchase of the device.</p>		

ASUS[®]

Français



ASUS Asteio PC Multimédia Manuel de l'utilisateur

Modèle D22/ D20

Service et Support

Visitez notre site multilingue à l'adresse suivante <http://www.asus.com>

Préface

Merci d'avoir acquis un PC Multimédia ASUS Asteio. Veuillez lire attentivement ce manuel, puis le conserver à portée de main pour une utilisation future.

A propos de ce manuel

Nous avons pris un soin tout particulier à vérifier que le contenu de ce manuel est correct et à jour. Toutefois, nous ne pouvons en garantir l'exactitude et le constructeur se garde le droit de le modifier spontanément et sans avertissement préalable.

Droits d'auteur

Aucun extrait de ce manuel, produits et logiciels décrits inclus, ne peut être reproduit, transmit, transcrit, stocké dans un système de restitution, ou traduit dans une quelconque langue, sous une quelconque forme, et par un quelconque moyen, sans la permission écrite expresse de ASUSTeK COMPUTER INC. ("ASUS"), à l'exception de la documentation conservée par l'acheteur dans un but de sauvegarde.

Les produits et noms de société mentionnés dans ce manuel peuvent être des marques déposées/ copyrights. Ils ne sont utilisés que dans un but d'identification ou d'explication dans l'intérêt du propriétaire, sans intention de contrefaçon. Tous les marques déposées sont la propriété de leurs détenteurs respectifs.

Copyright © 2006. Tous droits réservés.

UNIQUEMENT APPLICABLE AUX ETATS-UNIS :

Note to CATV System Installer

This reminder is provided to call the CATV systems installer's attention to section 820-93 of the National Electric Code which provide guidelines for proper grounding and in particular, specify that the Coaxial cable shield shall be connected grounding system of the building, as close to the point of cable entry as practical.

Consignes de sécurité

Votre PC Multimédia ASUS Asteio a été conçu et testé pour satisfaire aux standards de sécurité les plus récents en matière d'équipements informatiques. Toutefois, afin de garantir une utilisation sans risque de ce produit, il est important que vous respectiez les consignes de sécurité présentées dans ce manuel.

Configurer votre système

- Avant d'utiliser votre PC Multimédia ASUS, lisez et suivez les instructions de la documentation.
- N'utilisez pas ce produit à proximité de liquides ou d'une source de chaleur, tel qu'un radiateur.
- Les ouvertures situées sur le boîtier de l'ordinateur sont destinées à la ventilation. Veillez à ne pas les bloquer ou les recouvrir. Assurez-vous qu'il y ait un espace d'au moins 15 cm autour de l'ordinateur afin de permettre une ventilation suffisante. N'insérez aucun objet de quelque sorte dans les ouvertures de ventilation de l'ordinateur.
- Si vous utilisez une rallonge pour connecter votre PC Multimédia, vérifiez que la somme des intensités nominales des équipements connectés à la rallonge ne dépasse pas celle supportée par cette dernière.
- Lorsque votre PC Multimédia est équipé d'un tuner TV, d'un récepteur satellite ou câble, assurez-vous que l'antenne ou le système câblé est relié à la terre afin d'offrir une protection contre les surtensions et les surcharges d'électricité statique.

Précautions lors de l'utilisation

- Ne pas marcher sur le cordon d'alimentation, et ne rien poser dessus.
- Ne pas renverser d'eau ou tout autre liquide sur votre PC Multimédia.
- Lorsque le PC Multimédia est éteint, une certaine quantité de courant résiduel continue à circuler dans l'ordinateur. Débrancher systématiquement tous les câbles d'alimentation, de modems et de réseau, des prises murales avant de nettoyer l'ordinateur.
- Déconnecter le système du secteur, et demander conseil à un technicien qualifié si :
 - La prise ou le câble d'alimentation est endommagé.
 - Du liquide a été renversé sur l'ordinateur.
 - Le système ne fonctionne pas correctement alors que les consignes ont été respectées.
 - L'ordinateur est tombé ou le boîtier est endommagé.
 - Les performances système s'altèrent.

Table des matières

Préface	i
A propos de ce manuel	i
Droits d’auteur	i
Consignes de sécurité	ii
Configurer votre système	ii
Précautions lors de l’utilisation.....	ii
Vue d’ensemble	1
Fonctions.....	1
Configurer votre PC Multimédia	2
Préparer la configuration du PC Multimédia	2
Se familiariser avec votre PC Multimédia	3
Vue frontale.....	3
Vue arrière.....	4
Connexions.....	8
Connexion à la source du signal TV.....	8
Connexion de la source du signal TV à une configuration existante	10
Utiliser un poste TV comme moniteur	12
Câbles de connexion à un poste TV	12
Connexion à un poste TV	12
Connecter le récepteur à infrarouge à un périphérique externe.....	16
Installer l’antenne réseau sans fil.....	16
Installer l’antenne FM/TNT.....	17
Connecter un camescope numérique	17
Connecter d’autres périphériques	18
Configurer les haut-parleurs et les options audio.....	19
Configurations des haut-parleurs	20
Connecter les haut-parleurs audio	21
Connecter le PC Multimédia à un système audio à domicile	22
Configurer les paramètres de sortie audio	23
Configuration via l’utilitaire SoundMax Audio Wizard.....	23
Configuration via l’utilitaire Windows XP Media Center	24
Utiliser le matériel.....	25
Utiliser le clavier sans fil.....	25
Utiliser les touches spéciales du clavier	25

Insérer les piles du clavier.....	27
Utiliser la télécommande.....	28
Insérer les piles de la télécommande	30
Utiliser le lecteur de cartes mémoire	31
Guide d'insertion des cartes mémoire.....	31
Lancer Windows XP Media Center.....	33
Utiliser la fonction Ma TV	33
Regarder un programme TV	33
Enregistrer un programme TV	33
Lire un programme TV enregistré	33
Utiliser la fonction Ma musique	34
Ajouter un CD audio dans la bibliothèque multimédia	34
Ecouter de la musique	34
Utiliser la fonction Mes images	34
Afficher des images	34
Utiliser la fonction Mes vidéos	35
Visionner des vidéos	35
Caractéristiques	35

Vue d'ensemble

Le PC Multimédia ASUS Asteio dispose de capacités de traitement performantes, et offre des fonctionnalités multimédia variées. Vous pouvez lancer Windows XP Media Center en parallèle avec d'autres applications, ou seul afin d'en profiter en plein écran. Faites usage de la télécommande Media Center de la même manière que celles de vos équipements multimédia de salon. Vous pouvez utiliser la télécommande et Media Center afin de regarder et d'enregistrer des programmes TV, écouter de la musique, ou visionner des images/vidéos.

Utilisez le clavier sans fil avec touchpad intégré avec Windows XP Media Center ou d'autres programmes.

Fonctions

- Divertissement audio-vidéo
 - Regarder et enregistrer des programmes TV en direct
 - Lire des DVD et des vidéos
 - Lire des fichiers audio
 - Visionner et modifier des images
- Connectivité
 - Connexion via des périphériques sans fil
 - Visioconférence et conférence téléphonique (une webcam et l'installation du logiciel Skype sont nécessaires pour utiliser cette fonction.)
 - Diffusion de données afin de partager plusieurs canaux
- Clavier sans fil : Permet un contrôle à distance de longue portée (9m)
- Intègre un lecteur de cartes mémoire 13-en-1 (MD, CF type I & II, MS, MS-Pro, MS-Duo, MS- Pro Duo, SD, Mini SD, MMC, MMC4.x, RS MMC, RSMMC4.x).

Configurer votre PC Multimédia

Préparer la configuration du PC Multimédia

Avant de configurer votre PC Multimédia, prenez quelques instants afin de vérifier que vous disposez des connexions suivantes à l'emplacement choisi :

- **Connexion Internet**

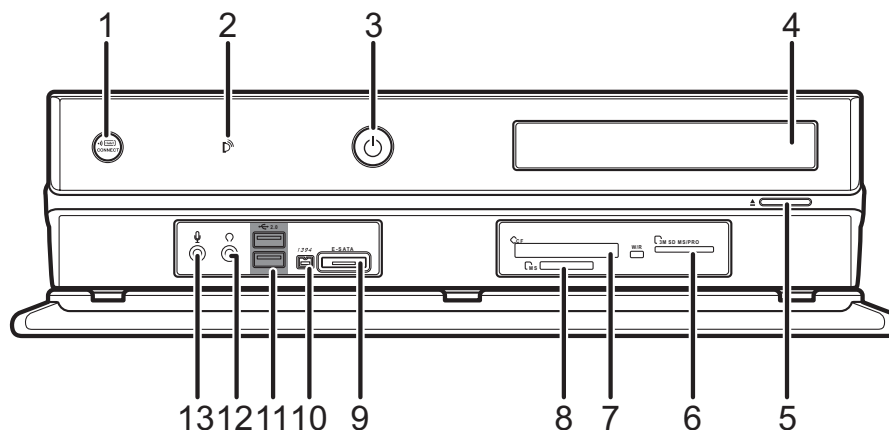
Votre ordinateur requiert une connexion Internet afin de mettre à jour le guide des programmes et accéder à Internet. Vérifiez que vous disposez d'une connexion par modem d'accès à distance ou haut-débit avant de configurer Windows XP Media Center. Veuillez contacter votre fournisseur d'accès Internet pour un complément d'informations sur la configuration de votre connexion Internet.

- **Source vidéo**

Assurez-vous que vous disposez d'une source vidéo avant de configurer Windows XP Media Center. Votre PC Multimédia reçoit les signaux vidéo par un câble coaxial ou S-vidéo. La source vidéo est généralement fournie avec une antenne, une connexion directe à la TV par câble, un boîtier câble ou un récepteur satellite. Les deux derniers sont également appelés boîtiers décodeurs.

Se familiariser avec votre PC Multimédia

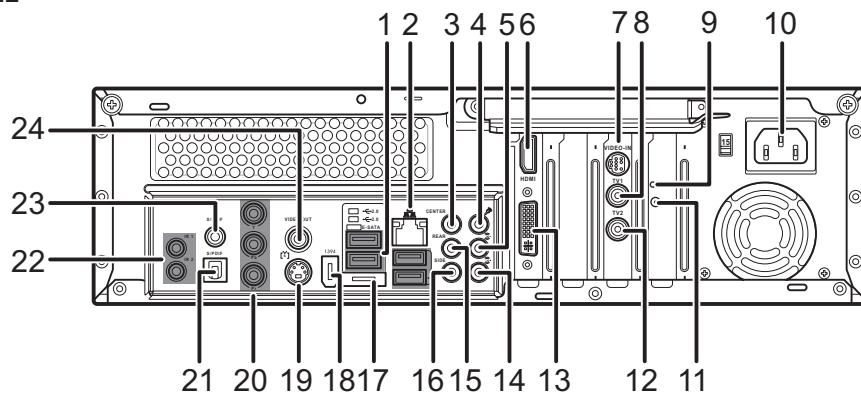
Vue frontale



Elément	Composant	Description
1	Récepteur ID Link	Permet de configurer le paramètre ID Link du clavier sans fil
2	Récepteur à infrarouge	Reçoit les signaux infrarouges de la télécommande.
3	Bouton d'alimentation	Pressez pour mettre sous/hors tension
4	Lecteur-graveur CD-ROM/DVD	Utilisez ce lecteur pour lire des CD audio, installer des jeux et des programmes, visionner des DVD, et stocker des données volumineuses sur des CD/DVD enregistrables
5	Bouton d'éjection du lecteur CD/DVD	Pressez pour ouvrir le plateau du lecteur CD/DVD
6	Lecteur de cartes SD / MMC Pro	Transférez des fichiers d'un appareil numérique vers votre PC Multimédia grâce au lecteur amovible de cartes mémoire.
7	Lecteur de cartes CompactFlash/MicroDrive	Transférez des fichiers d'un appareil numérique vers votre PC Multimédia grâce au lecteur amovible de cartes mémoire.
8	Lecteur de cartes MS	Transférez des fichiers d'un appareil numérique vers votre PC Multimédia grâce au lecteur amovible de cartes mémoire.
9	Port E-SATA	Connectez un périphérique externe à ce port
10	Port IEEE 1394	Connectez un périphérique IEEE 1394, tel qu'un caméscope numérique, à ce port IEEE 1394 6 broches.
11	2 x ports USB	Connectez des périphériques USB (ex : imprimante USB, appareil photo, scanner, clavier) à ces ports.
12	Prise casque	Connectez des haut-parleurs d'amplification ou des écouteurs à cette prise.
13	Prise microphone	Connectez un microphone externe à cette prise afin d'enregistrer ou de transmettre des enregistrements vocaux.

Vue arrière

Asteio D22



Élément	Composant	Description
1.	4 x ports USB	Connectez un microphone externe à cette prise afin d'enregistrer ou de transmettre des enregistrements vocaux.
2.	Port Ethernet	Connectez un câble réseau Ethernet 10/100/1000 à ce port
3.	Prise Center Analog Audio Out (Line Out)	Connectez des haut-parleurs center/subwoofer ou un amplificateur audio externe à cette prise..
4.	Prise Microphone	Connectez un microphone externe à cette prise afin d'enregistrer ou de transmettre des enregistrements vocaux.
5.	Prise Audio Out	Line Out destinés à des haut-parleurs avant
6.	HDMI	Connectez un périphérique HDMI (High Definition Multimedia Interface) à ce port
7.	Video In	Connectez le câble d'interface d'une source vidéo à cette prise
8.	TV 1	Connectez un câble coaxial à cette prise (à définir par l'utilisateur)
9.	Indicateur LED	Indique que la carte réseau sans fil est en cours d'utilisation
10.	Prise Power In	Connectez le cordon d'alimentation à cette prise.
11.	Connecteur antenne WIFI	Connectez une antenne réseau sans fil à ce port
12.	TV 2	Connectez un câble coaxial à cette prise (à définir par l'utilisateur)
13.	Port DVI	Reliez un connecteur de sortie vidéo numérique pour une TV/Moniteur.
14.	Prise Audio In	Connectez un périphérique audio analogique, tel qu'un lecteur CD, à cette prise
15.	Prise Haut-parleurs arrières	Connectez des haut-parleurs arrières en configuration audio multicanal

Élément	Composant	Description
16.	Prise Haut-parleurs latéraux	Connectez des haut-parleurs latéraux en configuration 8 canaux
17.	Port E-SATA	Connectez un périphérique externe au PC Multimédia
18.	Port IEEE 1394	Connectez un périphérique IEEE 1394, tel qu'un caméscope numérique, à ce port IEEE 1394 6 broches.
19.	Port S-video Out	Connectez un câble S-video à ce port pour relier un poste TV
20.	Port vidéo composante	Connectez un câble vidéo composante à ce port pour relier un poste TV
21.	Port S/PDIF (optique)	Connectez un câble optique (Toslink) à ce port pour des transferts audio numériques
22.	2 x ports IR	Connectez les câbles de contrôle IR à ce port afin d'envoyer que la télécommande puisse envoyer des signaux infrarouges à un boîtier décodeur pour changer de chaîne
23.	Port S/PDIF (RCA)	Connectez un câble RCA à ce port pour des transferts audio numériques
24.	Port Video Out	Connectez un câble RCA à ce port pour relier un poste de télévision

Note :

Utilisez le logiciel TVConfig pour sélectionner le signal d'entrée des ports TV1 et TV2.

Configurez les paramètres TV via la fonction ASUS TVConfig de votre PC Multimédia. Lancez le programme ASUS TVConfig en cliquant sur l'icône du raccourci sur le Bureau, ou à partir du menu Démarrer, puis Programmes. Sélectionnez le périphérique dans le menu déroulant, et vérifiez individuellement les paramètres TV des canaux Analog TV, FM, et DVBT.



TVConfig

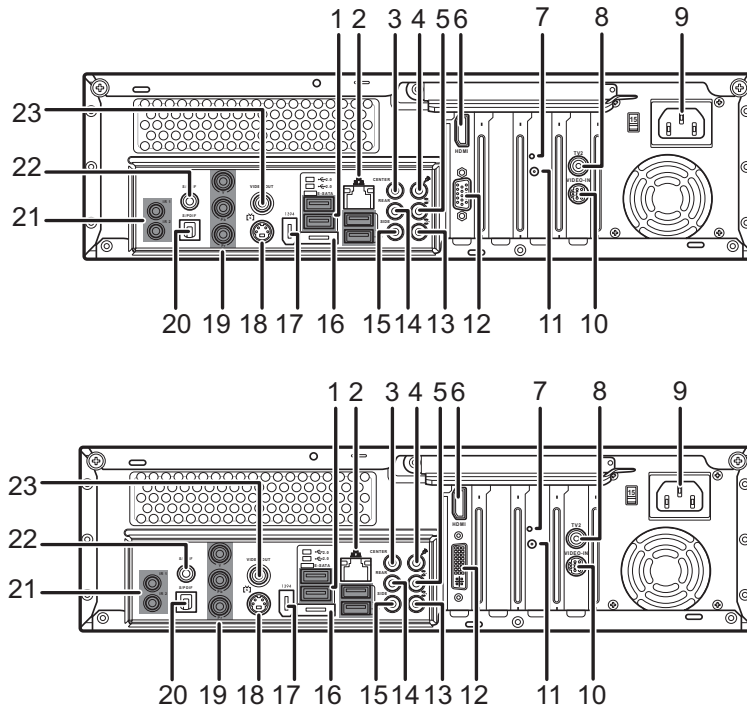
Note :

La fonction TVConfig est uniquement disponible sur le modèle D22.



Asteio D20

Français

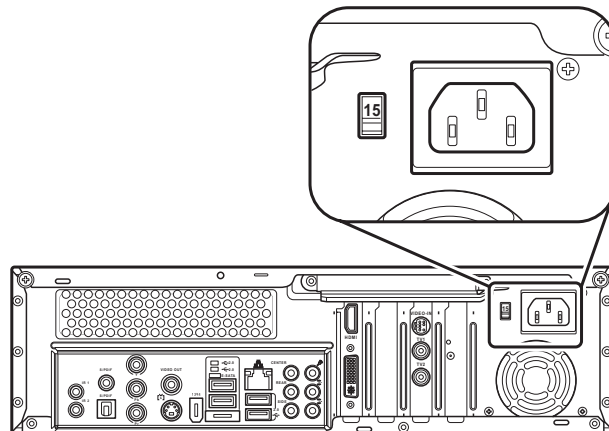


Elément	Composant	Description
1.	4 x ports USB	Connectez des périphériques USB (ex : imprimante USB, appareil photo, scanner, clavier) à ces ports.
2.	Port Ethernet	Connectez un câble réseau Ethernet 10/100/1000 à ce port
3.	Prise Center Analog Audio Out (Line Out)	Connectez des haut-parleurs center/subwoofer ou un amplificateur audio externe à cette prise..
4.	Prise Center Analog Audio Out (Line Out)	Connectez des haut-parleurs center/subwoofer ou un amplificateur audio externe à cette prise..
5.	Prise Audio Out	Line Out destinés à des haut-parleurs avant
6.	HDMI	Connectez un périphérique HDMI (High Definition Multimedia Interface) à ce port
7.	Indicateur LED	Indique que la carte réseau sans fil est en cours d'utilisation
8.	TV	Connectez un câble coaxial à cette prise
9.	Prise Power In	Connectez le cordon d'alimentation à cette prise.
10.	Video In	Connectez le câble d'interface d'une source vidéo à cette prise
11.	Connecteur antenne WIFI	Connectez une antenne réseau sans fil à ce port
12.	Port VGA /Port DVI	Reliez un connecteur de sortie vidéo numérique pour une TV/Moniteur.

Élément	Composant	Description
13.	Prise Audio In	Connectez un périphérique audio analogique, tel qu'un lecteur CD, à cette prise
14.	Prise Haut-parleurs arrières	Connectez des haut-parleurs arrières en configuration audio multicanal
15.	Prise Haut-parleurs latéraux	Connectez des haut-parleurs latéraux en configuration à 8 canaux
16.	Port E-SATA	Connectez un périphérique externe au PC Multimédia
17.	Port IEEE 1394	Connectez un périphérique IEEE 1394, tel qu'un caméscope numérique, à ce port IEEE 1394 6 broches.
18.	S-video Out port	Connectez un câble S-video à ce port pour relier un poste TV
19.	Port vidéo composante	Connectez un câble vidéo composante à ce port pour relier un poste TV
20.	Port S/PDIF (optique)	Connectez un câble optique (Toslink) à ce port pour des transferts audio numériques
21.	2 x ports IR	Connectez les câbles de contrôle IR à ce port afin d'envoyer que la télécommande puisse envoyer des signaux infrarouges à un boîtier décodeur pour changer de chaîne
22.	S/PDIF port (RCA)	Connectez un câble RCA à ce port pour des transferts audio numériques
23.	Video Out port	Connectez un câble RCA à ce port pour relier un poste de télévision

Notes :

- Les connecteurs peuvent varier en fonction du modèle que vous avez acheté.
- Avant d'allumer le PC Multimédia, vérifiez que vous disposez du voltage recommandé par le fabricant. Consultez l'étiquette située à gauche de la prise Power In.



Connexions

Connexion à la source du signal TV

Le PC Multimédia dispose de connecteurs pour une entrée Video-In ou coaxiale (TV). Sélectionnez le connecteur que votre source vidéo supporte :

- **Video-In**

Il s'agit du signal vidéo qui offre au PC Multimédia la meilleure qualité vidéo. Si vous utilisez le connecteur Video-In, vous devrez également raccorder la source audio au moyen de prises stéréo RCA.

- **Coaxial (TV)**

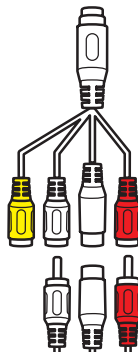
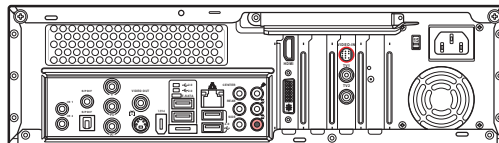
Les signaux audio et vidéo sont transmis par un câble unique. Le câble coaxial est le moyen le plus simple de connecter directement un câble ou une antenne au PC Multimédia.

Note :

Dans un environnement doté d'équipements de communications multifonctions, si l'appareil est paramétré pour recevoir des signaux TV, les fonctions TV analogique et FM seront désactivées et inversement.

Se connecter à la source du signal TV via S-video

1. Connectez le câble Video-In livré avec le périphérique vidéo, tel qu'un décodeur câble/satellite, au câble adaptateur Video In fourni. Puis, connectez-le au port Video-In situé à l'arrière du PC Multimédia.
2. Connectez un câble RCA entre les prises Audio Out du périphérique vidéo et la prise Line In (rouge) située à l'arrière du PC Multimédia.

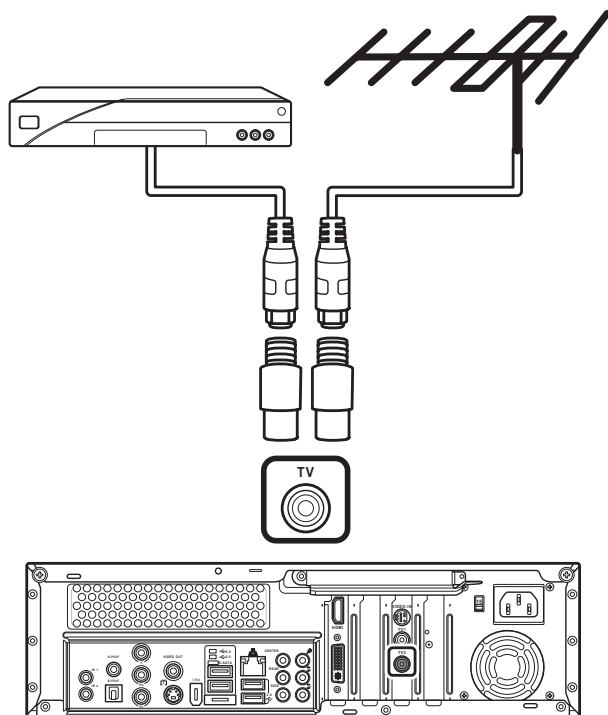


Note:

Vous devez utiliser l'adaptateur RCA (câble) pour connecter les câbles RCA.

Se connecter au signal TV via un câble coaxial

Connectez un câble coaxial (non inclus) à un périphérique vidéo, telle qu'une connexion directe au câble, un boîtier câble/satellite, ou une antenne, et à la prise TV2 située à l'arrière du PC Multimédia.



Configurez les paramètres TV via la fonction ASUS TVConfig de votre PC Multimédia. Lancez le programme ASUS TVConfig en cliquant sur l'icône du raccourci sur le Bureau, ou à partir du menu Démarrer, puis Programmes. Sélectionnez le périphérique dans le menu déroulant, et vérifiez individuellement les paramètres TV des canaux Analog TV, FM, et DVBT.



Note :
La fonction TVConfig est uniquement disponible sur le modèle D22.



Connexion de la source du signal TV à une configuration existante

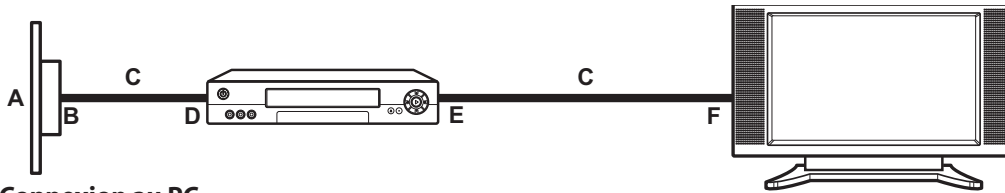
Cette section décrit comment connecter le PC Multimédia à une configuration existante en tant que source du signal TV.

Du mur vers un magnétoscope et un poste TV via un câble coaxial

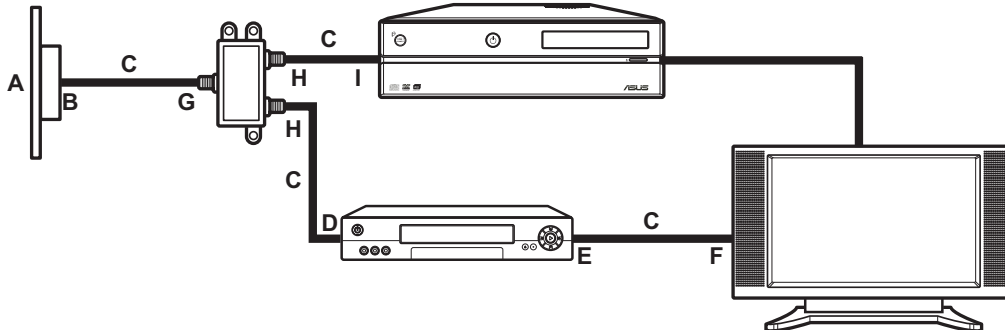
Retirez le câble coaxial connecté à l'entrée du magnétoscope, puis raccordez-le à l'entrée du séparateur de signaux (non inclus). Connectez deux câbles coaxiaux aux sorties du séparateur.

Connectez l'un de ces câbles à l'entrée du magnétoscope, et l'autre au connecteur TV situé à l'arrière du PC Multimédia.

Configuration existante



Connexion au PC



- A Mur
- B Prise du câble (murale)
- C Câble coaxial
- D Entrée du magnétoscope
- E Sorties du magnétoscope
- F Entrée TV
- G Entrée du séparateur de signaux
- H Sorties du séparateur de signaux
- I Prise TV In à l'arrière du PC

Note:

Les séparateurs ne sont pas fournis.

Du mur vers un boîtier câble/satellite vers un magnétoscope et un poste TV via un câble coaxial

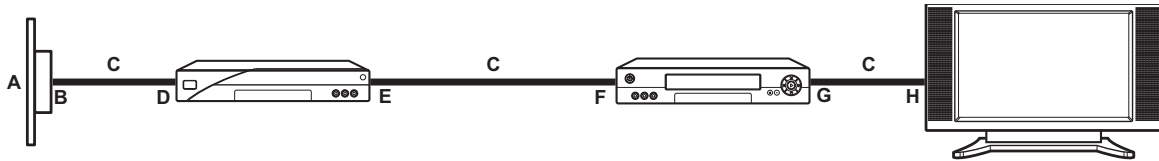
Retirez le câble coaxial connecté à l'entrée magnétoscope, puis raccordez-le au séparateur de signaux (non inclus). Connectez deux câbles coaxiaux aux sorties du séparateur.

Connectez l'un de ces câbles à l'entrée du magnétoscope, et l'autre au connecteur TV situé à l'arrière du PC Multimédia.

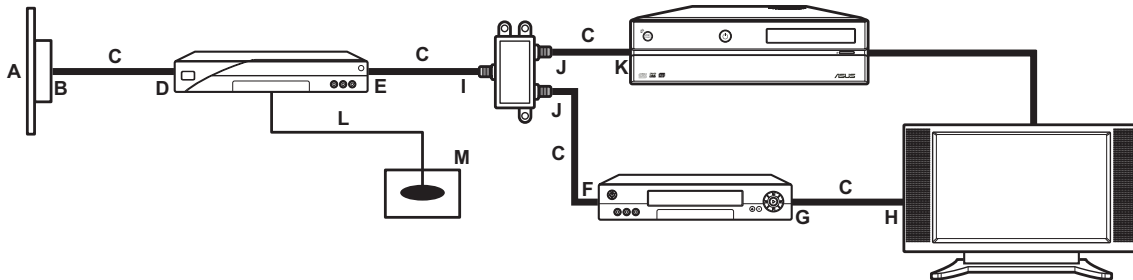
Note :

Connectez votre boîtier décodeur au magnétoscope via un câble coaxial.

Configuration existante



Connexion au PC



- A Mur
- B Prise du câble (murale)
- C Câble coaxial
- D Boîtier décodeur/Satellite In
- E Boîtier décodeur/Satellite Out
- F Entrée du magnétoscope
- G Sorties du magnétoscope
- H Entrée TV
- I Entrée du séparateur de signaux
- J Sorties du séparateur de signaux
- K Prise TV In à l'arrière du PC
- L Câble du capteur de la télécommande
- M Capteur de la télécommande

Note:

Les séparateurs ne sont pas fournis.

Utiliser un poste TV comme moniteur

La fonction TV-out du PC vous permet de le connecter à un poste TV afin de visionner les images de votre PC sur un écran TV. Grâce à la fonction TV-out, vous pourrez visionner sur votre écran TV les images et les films DVD stockés sur votre PC, ainsi que jouer à vos jeux PC.

Câbles de connexion à un poste TV

Pour connecter le PC Multimédia à un poste TV, vous aurez besoin d'un câble vidéo, et d'un câble audio. Le type de câble vidéo requis dépend de votre modèle de poste TV.

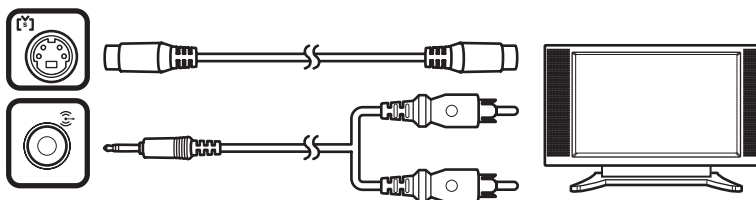
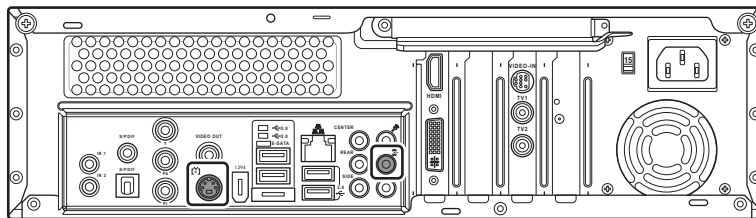
Vous pouvez également connecter le PC Multimédia à votre poste TV selon une des méthodes ci-dessous :

- S-video et audio stéréo
- Vidéo composante (YPbPr) et audio stéréo
- Vidéo et audio stéréo
- DVI et audio stéréo
- HDMI
- Péritel
- Adaptateur DVI vers VGA et audio stéréo

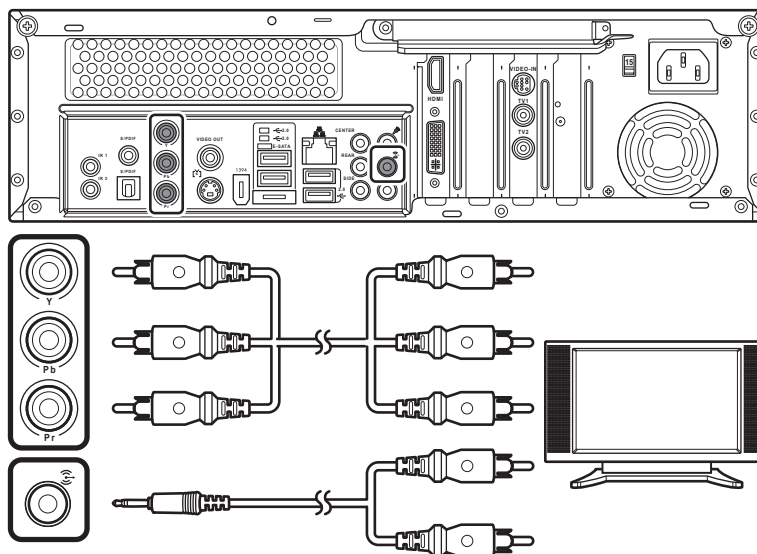
Connexion à un poste TV

1. Eteignez le PC Multimédia.
2. Connectez le câble TV selon une des manières suivantes selon les connecteurs de votre poste TV.

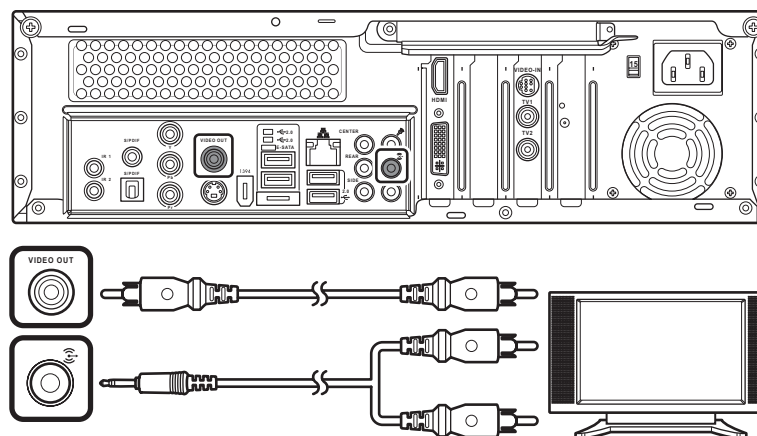
Si votre poste TV dispose d'une prise **S-video**, connectez un câble de la prise **S-video In** de votre poste TV vers la prise **S-video Out** située à l'arrière du PC Multimédia.



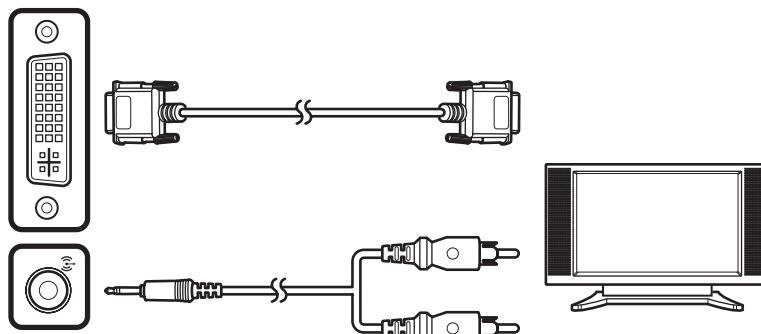
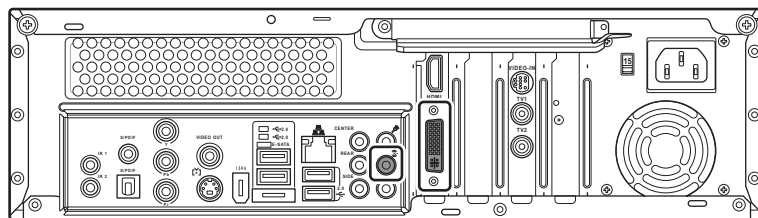
Si votre poste TV dispose d'une entrée **vidéo composante**, connectez un câble pour vidéo composante de la prise **Component Video** du poste TV vers la sortie Vidéo composante située à l'arrière du PC Multimédia.



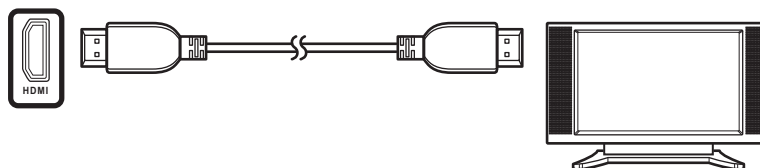
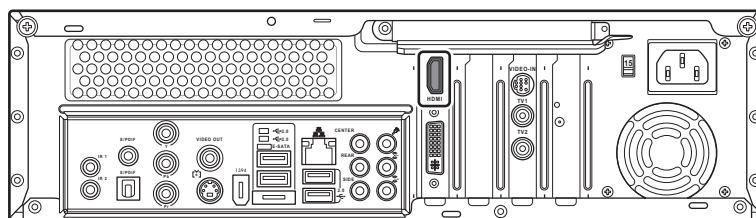
Si votre poste TV dispose d'une **entrée vidéo**, connectez un câble vidéo de la prise **Video In** du poste TV vers la prise **Video Out** située à l'arrière du PC Multimédia.



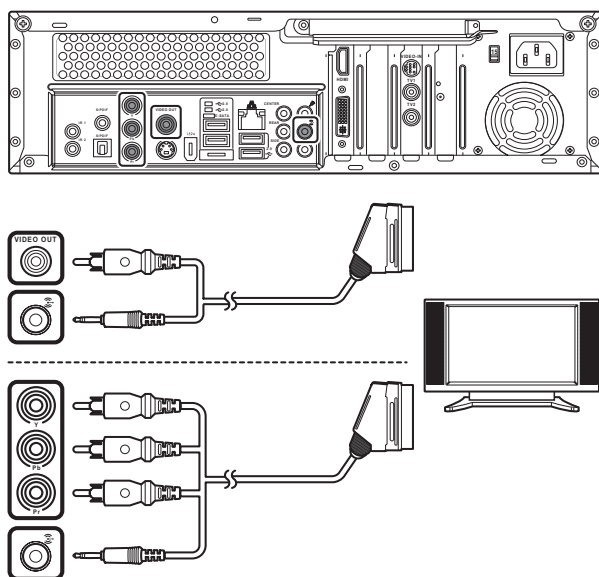
Si votre poste TV dispose d'une prise **DVI**, connectez un câble DVI de la prise DVI du poste TV vers le connecteur **DVI** situé à l'arrière du PC Multimédia.



Si votre poste TV dispose d'une prise **HDMI**, connectez un câble HDMI de la prise HDMI du poste TV vers le connecteur **HDMI** situé à l'arrière du PC Multimédia.



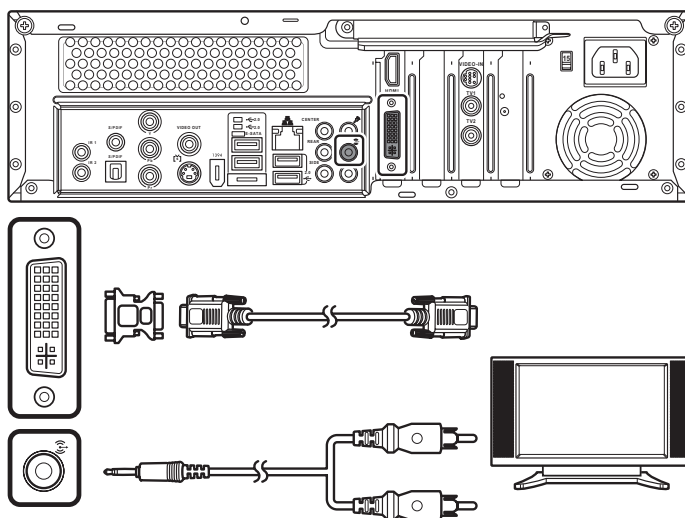
Si votre poste TV dispose d'une prise **Péritel**, connectez un câble Péritel/vidéo composite de la prise **Péritel** du poste TV vers les connecteurs **Video Out** et **Line Out** (vert foncé) situés à l'arrière du PC Multimédia. Vous pouvez également connecter le PC Multimédia à un poste TV via un câble Péritel/vidéo composante tel qu'illustré ci-dessous.



Notes :

Les câbles présentés ci-contre ne sont pas contractuels. Les câbles achetés peuvent différer.

Si votre poste TV dispose d'une prise **VGA**, connectez d'abord un adaptateur **VGA** au connecteur **DVI** situé à l'arrière du PC Multimédia (uniquement Asteio D22), puis connectez le PC au poste TV via un câble VGA.



3. Allumez le poste TV, puis sélectionnez la source vidéo **TV In** ou **PC** selon les modèles de postes TV.

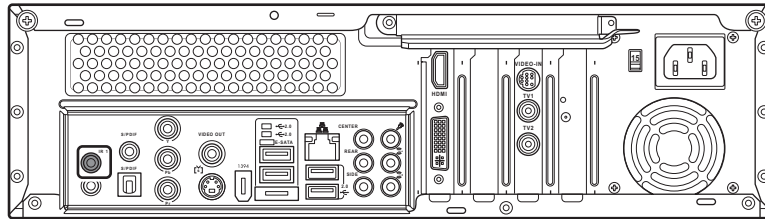
Note :

Les ouvertures situées sur le boîtier de l'ordinateur sont destinées à la ventilation. Veillez à ne pas les bloquer ou les recouvrir.

Connecter le récepteur à infrarouge à un périphérique externe

Pour connecter un périphérique externe tel qu'un boîtier décodeur ou un moniteur, veuillez :

1. Connecter une extrémité du câble IR au port IR situé à l'arrière de votre PC Multimédia.
2. Connecter l'autre extrémité au câble IR au boîtier décodeur comme illustré ci-dessous.



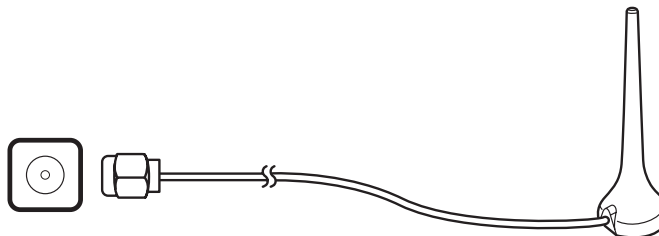
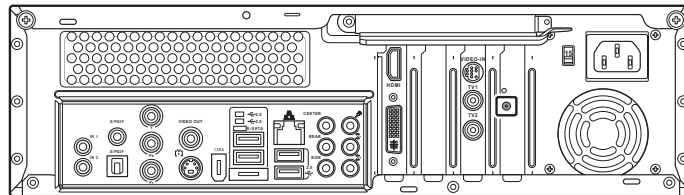
Note:

Deux ports IR sont disponibles.

Installer l'antenne réseau sans fil

Pour connecter une antenne externe à la carte réseau sans fil, veuillez :

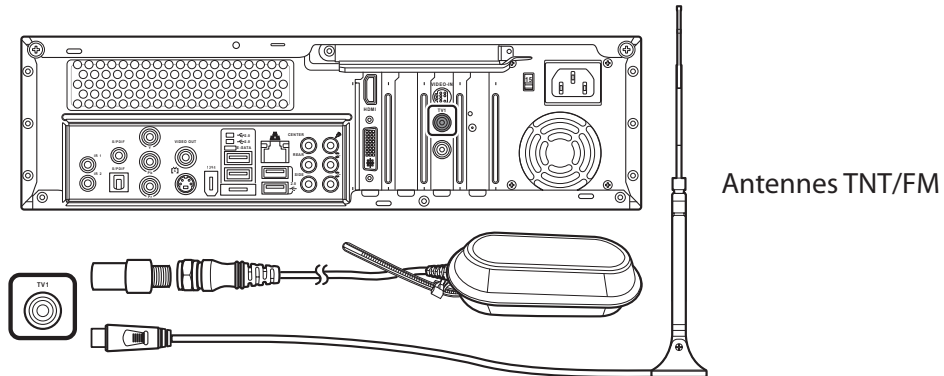
1. Raccorder l'antenne externe qui vous est fournie au connecteur antenne WIFI situé à l'arrière du PC Multimédia.
2. La LED d'indication commencera à clignoter signalant que le PC reçoit des signaux WIFI..



Installer l'antenne TNT/FM

Pour connecter l'antenne FM/TNT, veuillez :

1. Connecter l'adaptateur NTSC vers PAL à l'antenne FM/TNT qui vous est fournie.
2. Connecter l'antenne FM/TNT à la prise TV située à l'arrière du PC Multimédia.



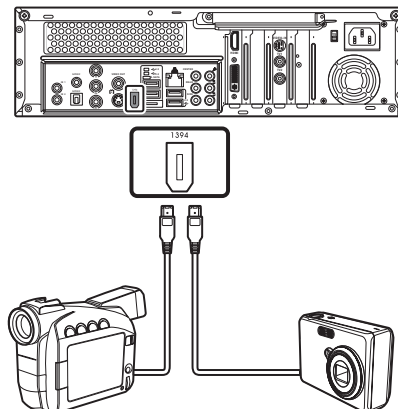
Notes :

- Les antennes présentées ci-contre ne sont pas contractuelles. Les antennes achetées peuvent différer.
- La réception et la qualité du signal des antennes TNT/FM peuvent varier selon les régions.

Connecter un caméscope numérique

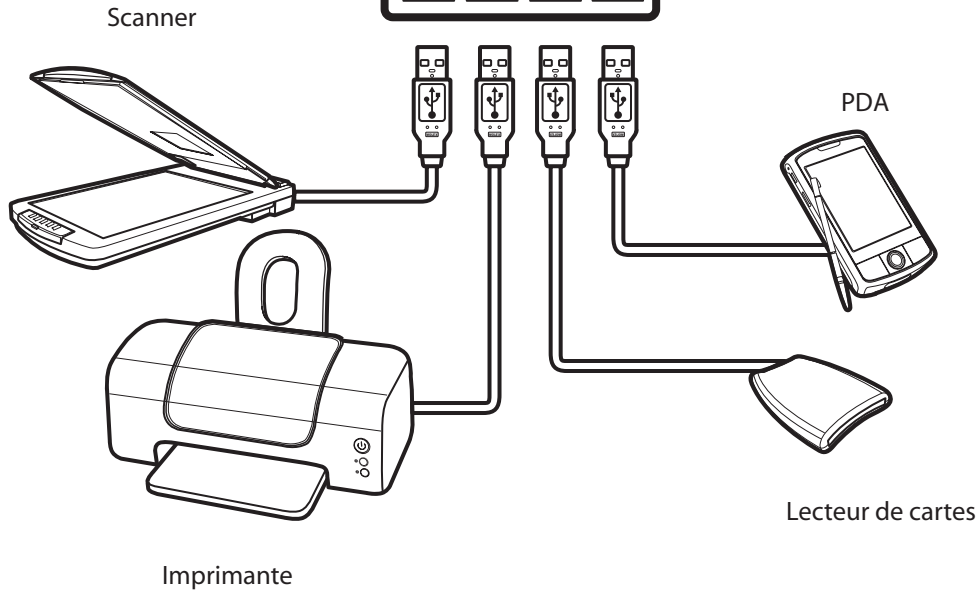
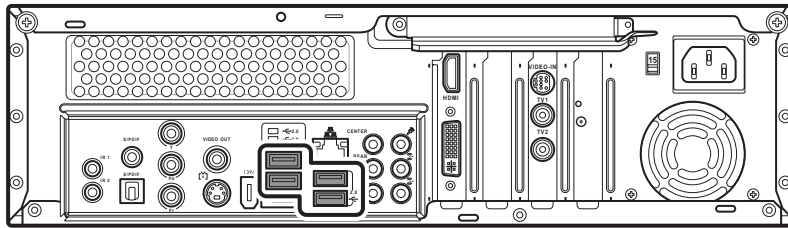
Pour connecter un caméscope/appareil photo numérique, veuillez :

1. Allumer le PC Multimédia et attendre que Windows XP démarre.
2. Connecter le câble de transfert vidéo à l'appareil, puis à un port USB ou IEEE 1394 (FireWire) disponible à l'arrière du PC Multimédia.
3. Un message **Nouveau matériel détecté** apparaîtra. Suivez les instructions s'affichant à l'écran pour configurer les paramètres nécessaires au nouveau périphérique. L'installation terminée, un message s'affichera signalant que le périphérique est prêt à l'emploi.



Connecter d'autres périphériques







D'autres périphériques tels qu'une imprimante, un scanner, un lecteur de cartes ou un PDA peuvent être connectés au PC Multimédia.



Configurer les haut-parleurs et les options audio

Le PC Multimédia ASUS supportent plusieurs types d'options et de connexions audio, et des configurations de haut-parleurs variées. Vous pouvez paramétrer votre PC pour utiliser deux haut-parleurs stéréo aussi bien qu'un système audio multicanal. Connectez votre système de haut-parleurs au PC, puis configurez les sorties audio via l'utilitaire audio.

Le PC Multimédia ASUS inclût six connecteurs audio à l'arrière du PC, pouvant supporter une multitude de configurations audio, système audio 7.1 inclus.

Connecteur audio	Description
	Line SIDE (gris) est dédié à la connexion de haut-parleurs latéraux dans un système à huit haut-parleurs (7.1)
	Line CENTER (orange) est dédié à la connexion de caissons de basse dans un système audio multicanal
	Line REAR (noir) est dédié à la connexion de haut-parleurs arrières dans un système audio multicanal
	Line Out (vert foncé) est dédié à la connexion de haut-parleurs avant
	Line In (rouge) est dédié à la connexion d'un périphérique audio analogique, tel qu'un lecteur de CD, à un PC
	Mic (bleu clair) est dédié à la connexion d'un microphone

Configurations des haut-parleurs

Vous pouvez paramétrer le PC Multimédia selon les configurations supportées ci-dessous

Nom	Système de haut-parleurs
Casque	Aucun
2 (stéréo)	Haut-parleur gauche, haut-parleur droit
2.1	Haut-parleur gauche, haut-parleur droit, et un caisson de basse
4.1	Deux haut-parleurs avants, deux haut-parleurs arrières, et un caisson de basse
6/ 5.1	Deux haut-parleurs avants, deux haut-parleurs arrières, un haut-parleur central, et un caisson de basse
8/ 7.1	Deux haut-parleurs avants, deux haut-parleurs arrières, deux haut-parleurs latéraux, un haut-parleur central, et un caisson de basse
Système audio à domicile	Système home stéréo ou home cinéma doté de haut-parleurs passifs

Types de haut-parleurs

Le PC supporte uniquement un système de haut-parleurs actifs (alimentés). Un système de haut-parleurs actifs doit disposer de sa propre source d'alimentation. Un système audio ne requiert aucun haut-parleur actif car le récepteur fournit l'amplification.

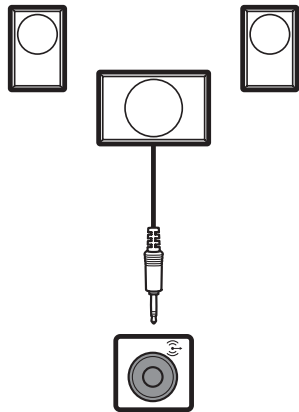
Un ensemble stéréo se compose d'un haut-parleur droit, et d'un haut-parleur gauche; il s'agit d'un système à deux canaux. Un ensemble audio multicanal dispose de haut-parleurs avants droit et gauche, et de haut-parleurs arrières droit et gauche, et peut inclure un caisson de basse ainsi qu'un haut-parleur central. Des haut-parleurs latéraux sont inclus dans les systèmes plus avancés. Un caisson de basse renforce les basses

La mention ".1" indique la présence d'un caisson de basse. Par exemple, un système 7.1 canaux se réfère à un système à huit haut-parleurs : deux haut-parleurs avant (droit et gauche), deux haut-parleurs arrières (droit et gauche), deux haut-parleurs latéraux (droit et gauche), un haut-parleur central, et un caisson de basse..

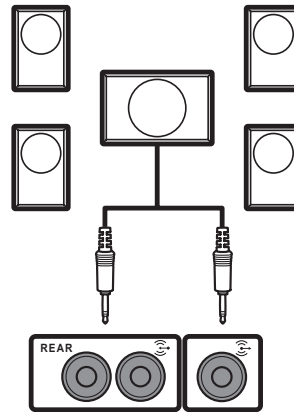
Connecter les haut-parleurs audio

Référez-vous à l'illustration ci-dessous pour connecter des haut-parleurs audio au PC Multimédia selon votre système audio. Après avoir connecté les haut-parleurs au PC, configurez les paramètres pour votre sortie audio.

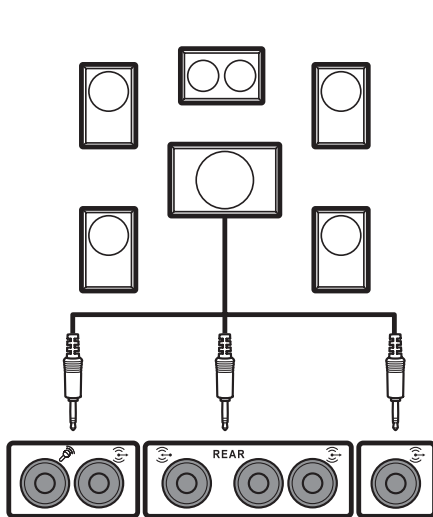
2 haut-parleurs



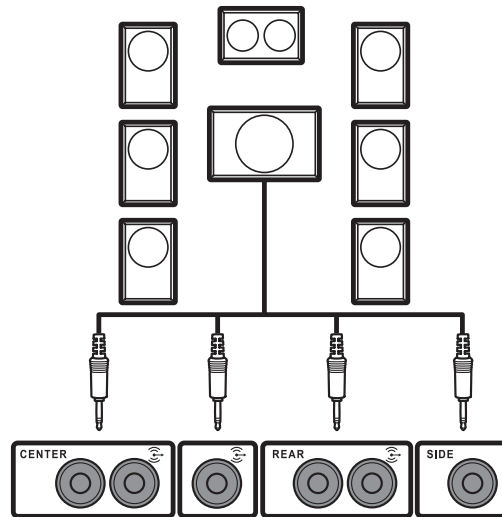
2 haut-parleurs



5 haut-parleurs et un caisson de basse



7 haut-parleurs et un caisson de basse

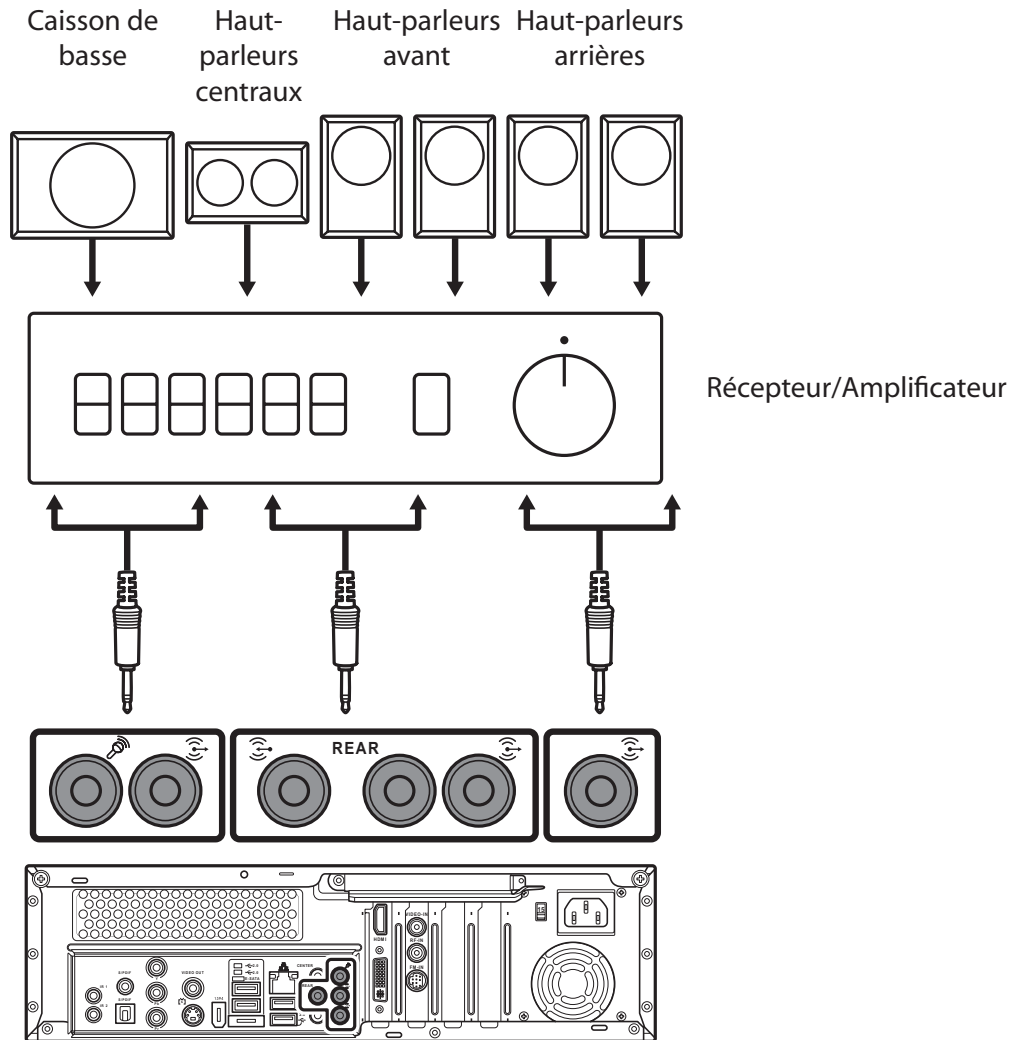


Connecter le PC Multimédia à un système audio à domicile

Vous pouvez connecter le PC Multimédia au récepteur/amplificateur multicanal de votre système home stéréo ou home cinéma afin d'utiliser vos haut-parleurs existants.

La majorité des récepteurs/amplificateurs disposent d'entrées RCA. Il vous faudra probablement des "câbles adaptateurs Y" pour connecter les récepteurs/amplificateurs au PC Multimédia (facultatif).

Français



Configurer les paramètres de sortie audio


Vous pouvez configurer la sortie audio de vos haut-parleurs via l'utilitaire SoundMax ou Media Center installés sur le PC Multimédia.

Configuration via l'utilitaire SoundMax Audio Wizard

Après avoir connecté les haut-parleurs au PC, suivez les étapes ci-dessous pour configurer les paramètres audio:







1. Cliquez sur **Démarrer** dans la barre des tâches pour lancer le menu de démarrage de Windows.
2. Cliquez sur **Programmes**.
3. Sélectionnez **SoundMax** pour lancer l'utilitaire. L'un des écrans de contrôle SoundMax s'affichera.



4. Cliquez sur l'icône Audio Wizard  dans la zone de notification afin de configurer les paramètres de sortie audio de votre système de haut-parleurs.
5. Sélectionnez dans le menu déroulant l'option correspondant au nombre de haut-parleurs de votre système audio.
6. La fenêtre **Volume Adjustment** (Ajustement du volume) apparaît. Vous pourrez y ajuster le volume de chaque haut-parleur en déplaçant les barres, ou ajuster simultanément le volume de tous les haut-parleurs grâce à la barre de volume principale située au milieu de l'écran.
7. Cliquez sur **Next** (Suivant). L'écran d'ajustement du volume du microphone apparaît. Cliquez sur **Microphone Test** pour tester le microphone et **Next** (Suivant) pour poursuivre.
8. Cliquez sur **Finish** (Terminer) pour quitter l'utilitaire SoundMax Audio Wizard.

Utiliser la barre des tâches SoundMax

L'écran SoundMax se compose des fonctions suivantes :

1.  Audio Wizard : Cliquez pour afficher l'écran Audio Wizard et configurer les paramètres de sortie audio.
2.  Default settings : Cliquez pour restaurer les paramètres par défaut.
3.  Preference settings : Cliquez pour ouvrir l'écran de configuration des préférences, et ajuster ces dernières selon vos besoins.
4.  Volume control : Cliquez pour afficher/masquer l'écran de contrôle du volume.
5.  Record setting : Cliquez pour afficher/masquer l'écran des paramètres d'enregistrement.
6.  Help : Cliquez pour afficher l'écran d'aide.

Configuration via l'utilitaire Windows XP Media Center

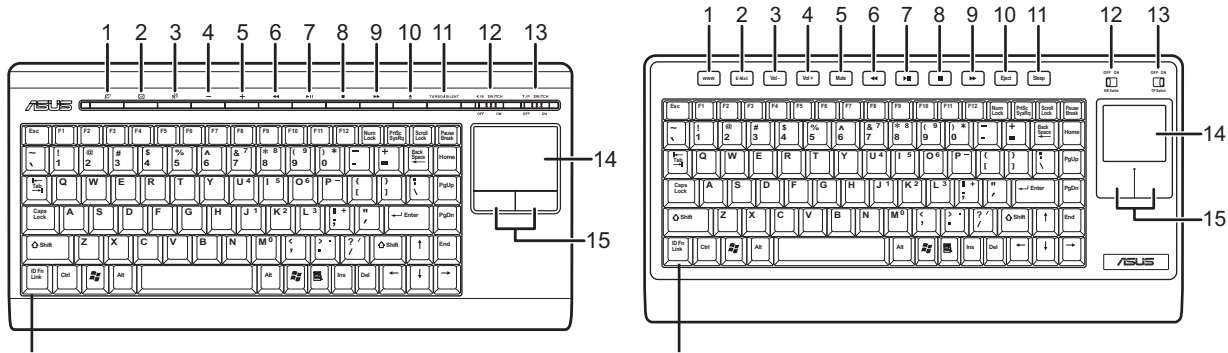
1. Cliquez sur **Démarrer** dans la barre des tâches pour lancer le menu de démarrage de Windows.
2. Cliquez sur **Programmes**.
3. Sélectionnez **Windows XP Media Center** pour lancer l'utilitaire. La fenêtre Windows XP Media Center s'affichera à l'écran.
4. Sélectionnez **Settings** (Paramètres) dans le menu principal.
5. Sélectionnez **Speaker Configuration** (Configuration des haut-parleurs), puis cliquez sur **Next** (Suivant).
6. Sélectionnez le nombre de haut-parleurs de votre système audio, puis cliquez sur **Next** (Suivant).
7. Testez la sortie audio des haut-parleurs. Si le résultat est satisfaisant, cliquez sur **Next** pour poursuivre.
8. Cliquez sur **Finish** (Terminer) pour quitter.

Utiliser le matériel

Utiliser le clavier sans fil

Le PC Multimédia inclut un clavier sans fil intégrant un récepteur/transmetteur. Un voyant dans le coin supérieur droit du clavier indique l'activité du récepteur.

Utiliser les touches spéciales du clavier



Touche ID Link

Touche ID Link

Se référer au tableau ci-dessous pour vous familiariser avec les fonctions des touches spéciales du clavier.

Élément	Fonction	Description
1.	Internet	Pressez pour lancer votre navigateur Internet
2.	E-mail	Pressez pour lancer un programme de messagerie électronique
3.	Muet	Pressez pour désactiver le son
4.	Dim. volume	Pressez pour diminuer le volume
5.	Aug. volume	Pressez pour augmenter le volume
6.	Rembobinage	Pressez pour rembobiner un fichier multimédia
7.	Lecture/Pause	Pressez pour lire ou mettre en pause un fichier multimédia.
8.	Stop	Pressez pour arrêter la lecture d'un fichier multimédia.
9.	Avance rapide	Pressez pour effectuer une avance rapide
10.	Ejecter	Pressez pour éjecter le plateau du lecteur
11.	Turbo/Silent	Pressez pour basculer entre les modes Turbo / Silent
12.	Interrupteur d'alimentation	Met sous/hors tension le clavier.
13.	Touch pad switch	Active/désactive le touchpad.
14.	Touch pad	S'utilise comme une souris en faisant glisser le doigt sur la surface.
15.	Clic droit/gauche	S'utilise comme les boutons gauche et droite d'une souris standard

Note :

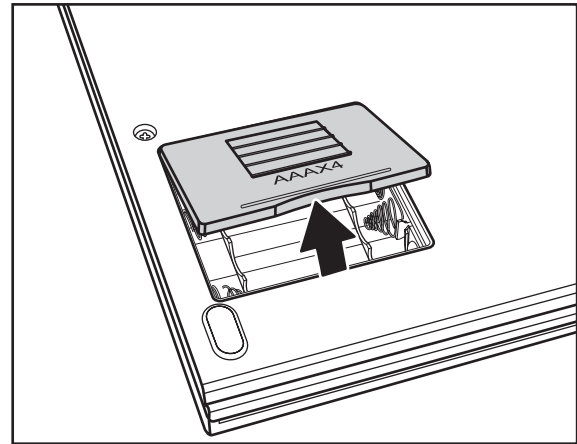
Les claviers présentés ci-contre ne sont pas contractuels. Les claviers achetés peuvent différer.

Notes :

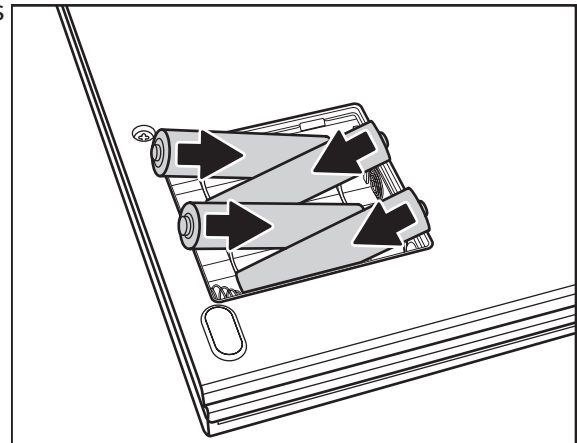
- Si le PC Multimédia ne parvient pas à détecter le clavier sans fil, pressez la touche **Connect** (Connecter) située dans le coin supérieur gauche du panneau avant, et la touche **ID Link** située dans le coin inférieur gauche du clavier
- Le PC Multimédia offre deux modes de fonctionnement :
 - Silent mode** (Mode Silence) : En mode Silence, le système réduit automatiquement le taux de transfert du CD-ROM, la vitesse du CPU et du GPU, ce qui offre à l'utilisateur un environnement de travail silencieux. Il s'agit du mode par défaut.
 - Turbo mode** (Mode Turbo) : En mode Turbo, le système utilisera la vitesse de CD-ROM, CPU et GPU la plus rapide afin d'offrir des performances optimales. Ce mode est optimale pour les tâches nécessitant de très hautes performances, tels que les jeux vidéo, ou du traitement multimédia.
- Le clavier sans fil est doté d'un mode "économie d'énergie" afin de réduire sa consommation électrique. Lorsque le clavier sans est inactif pendant plus de de trois minutes, il entre en mode "économie d'énergie". Pressez n'importe quelle touche (à l'exception du touchpad et des boutons droit et gauche) pour retourner en mode normal. (En mode "économie d'énergie, la consommation d'énergie est de 1,88% de la consommation en mode normal).

Insérer les piles du clavier

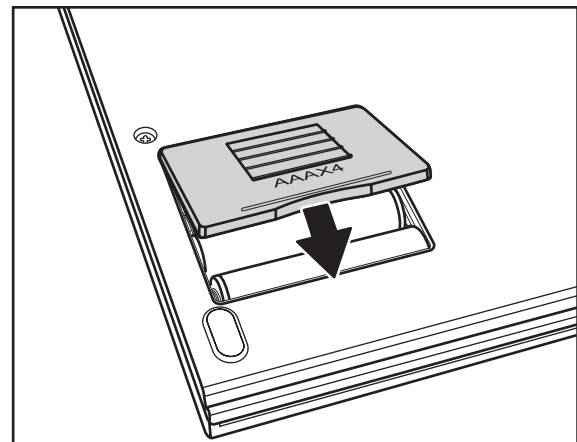
1. Ouvrez le compartiment à piles situé à l'arrière du clavier.



2. Insérez les piles en respectant leur polarité (marques +/- à l'intérieur du compartiment).



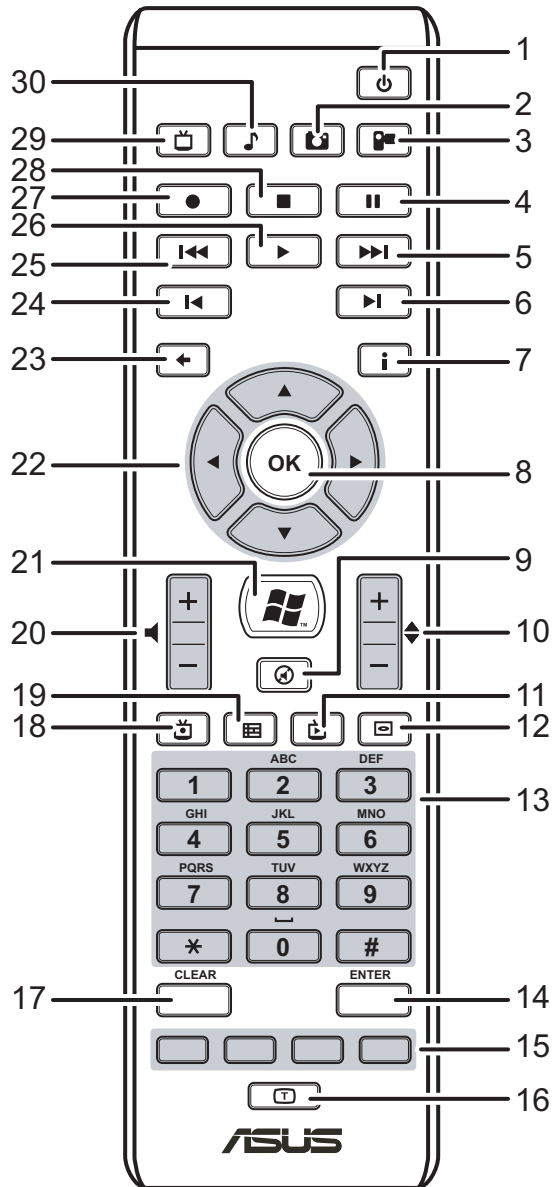
3. Replacez le couvercle du compartiment à piles



Utiliser la télécommande

Utilisez la télécommande pour lancer Windows XP Media Center, regarder la TV, enregistrer des programmes TV, visionner les programmes enregistrés ou d'autres fichiers multimédia telles que des vidéos, ou des films.

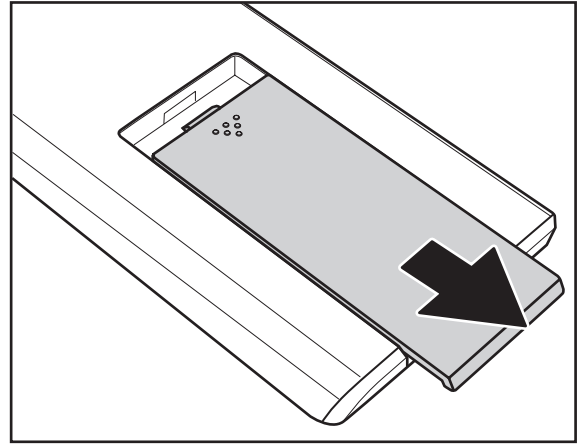
Référez-vous au tableau ci-contre pour vous familiariser avec les boutons de la télécommande.



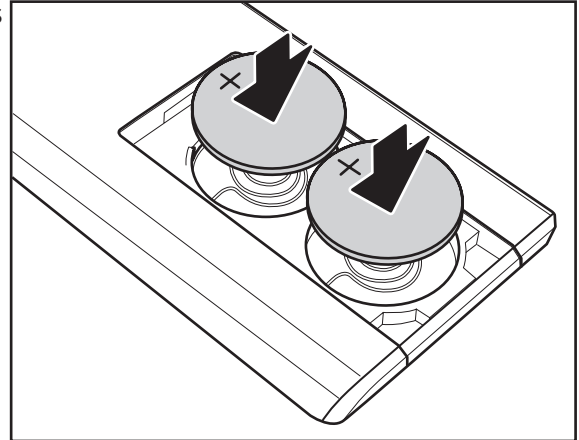
Élément	Nom	Description
1.	Marche/Arrêt	Pressez pour éteindre l'écran et les haut-parleurs (mode Absence)
2.	Photo	Pressez pour entrer dans le mode Photo.
3.	Video	Pressez pour entrer dans le mode Vidéo
4.	Pause	Pressez pour mettre en pause la lecture d'un fichier multimédia
5.	Avance rapide	Pressez pour effectuer une avance rapide dans la lecture d'un fichier multimédia
6.	Piste suivante	Pressez pour aller à la piste suivante
7.	Information	Pressez pour afficher les informations des programmes
8.	OK	Pressez pour confirmer une action
9.	Muet	Pressez pour désactiver le son
10.	Chaîne suiv/préc	Pressez pour changer de chaîne lorsque vous regardez la télévision
11.	Live TV	Pressez pour regarder des programmes TV en direct
12.	DVD	Pressez pour basculer vers la source DVD
13.	Touches numériques	Pressez pour saisir directement le numéro d'une chaîne TV
14.	Entrée	Pressez pour confirmer une sélection
15.	Télétexte	Uniquement disponible en Europe
16.	Shift	Bascule entre une saisie numérique et alphabétique
17.	Effacer	Pressez pour effacer la saisie
18.	Enregistrer TV	Pressez pour enregistrer le programme TV en cours
19.	Programmes TV	Pressez pour afficher le guide des programmes TV
20.	Aug/dim le volume	Pressez pour augmenter ou diminuer le volume
21.	Windows Media Center	Pressez pour lancer l'utilitaire Windows Media Center
22.	Touches quadri-directionnelles	Pressez pour naviguer dans les menus à l'écran
23.	Retour	Pressez pour retourner à la page précédente
24.	Piste précédente	Pressez pour revenir à la piste précédente
25.	Rembobinage	Pressez pour rembobiner un fichier multimédia
26.	Lecture	Pressez pour lancer la lecture d'un fichier multimédia
27.	Enregistrer	Pressez pour commencer l'enregistrement
28.	Arrêt	Pressez pour arrêter la lecture d'un fichier multimédia
29.	TV	Pressez pour entrer dans le mode TV
30.	Musique	Pressez pour entrer dans le mode Musique

Insérer les piles de la télécommande

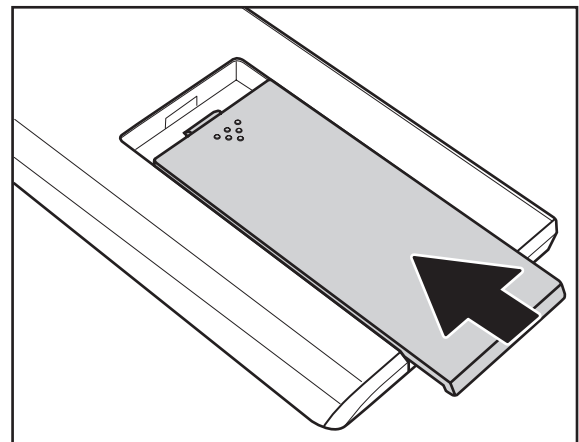
1. Ouvrez le compartiment à piles situé à l'arrière de la télécommande.



2. Insérez les piles en respectant leur polarité (marques +/- à l'intérieur du compartiment).



3. Replacez le couvercle du compartiment à piles



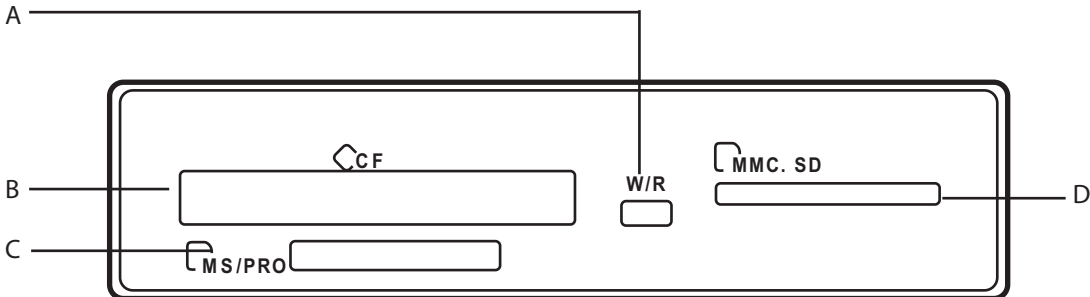
Utiliser le lecteur de cartes mémoire

Les appareils photo numériques, ainsi que d'autres périphériques d'imagerie numérique emploient des cartes mémoire afin de stocker des images numériques ou des fichiers multimédia. Le lecteur de cartes mémoire intégré au panneau avant du PC Multimédia vous permet de lire et d'écrire des données sur une grande variété de cartes mémoire.

Vous pouvez placer plusieurs cartes mémoire dans le lecteur, et les utiliser indépendamment. Placez toutefois une carte mémoire à la fois par slot. Chaque slot mémoire dispose de sa propre lettre de disque, et de son icône qui s'affichent dans la fenêtre **Poste de travail**.

Référez-vous au schéma ci-dessous pour vous familiariser avec les différents slots mémoire.

Guide d'insertion des cartes mémoire



Elément	Nom	Description
A	LED Activité	Indique que des données sont écrites ou lues
B	Slot CF	Supporte MD, CF Type I/II
C	Slot MS/MS PRO	Supporte MS/MS-Pro, MS duo, MS pro duo
D	Slot MMC/SD	Supporte SD, mini SD (Micro SD via un adaptateur), MMC, MMC4.x, RS MMC, RSMMC4.x (MMC mobile via un adaptateur)

Pour utiliser le lecteur de cartes mémoire, veuillez :

1. Insérez délicatement la carte mémoire dans le slot approprié jusqu'à ce qu'elle soit bien en place.
2. Une fenêtre Exécution automatique s'affiche. Sélectionnez un programme pour accéder aux fichiers contenus sur la carte mémoire. Le PC Multimédia lance un programme de sorte que vous puissiez accéder au contenu de la carte mémoire. Vous pouvez copier des fichiers de la carte mémoire, ou vers celle-ci.

OU

Si la fenêtre Exécution automatique ne s'affiche pas, vous pouvez cliquer sur **Démarrer**, puis sélectionner **Poste de travail**. Double-cliquez ensuite sur l'icône de la carte mémoire afin d'en afficher son contenu.

3. Lorsque vous avez fini d'utiliser la carte mémoire, faites un clic droit sur l'icône du lecteur et sélectionnez **Ejecter**. Lorsque la LED d'activité a cessé de clignoter, retirez la carte mémoire du slot.

Note :

Ne retirez pas la carte mémoire tant que la LED d'activité clignote. Vous pourriez perdre vos données ou endommager la carte.




"DTS CONNECT", "DTS INTERACTIVE" et "DTS NEO:PC" sont des marques déposées par DTS, Inc. "DTS" est une marque déposée par DTS, Inc.



Lancer Windows XP Media Center

Vous pouvez totalement contrôler Windows XP Media Center via votre clavier sans fil avec touchpad intégrée et la télécommande. Utilisez le périphérique que vous préférez.

Vous pouvez lancer Windows XP Media Center des deux manières suivantes :

- Pour lancer Windows XP Media Center via le menu Démarrer :
 - Cliquez sur **Démarrer**, et sélectionnez **Media Center** dans le menu Démarrer.
- Pour lancer Window XP Media Center grâce à la télécommande :
 - Pressez le bouton **Media Center**  de la télécommande.

Utiliser la fonction Ma TV

Contrôlez le mode TV grâce à la fonction **Ma TV**. Utilisez la fonction **Ma TV** pour regarder des programmes TV en direct et en différé, ainsi que les programmes enregistrés, enregistrer des programmes TV, afficher les informations des programmes, et plus encore.

Regarder un programme TV

1. Pressez le bouton **TV** de la télécommande. La dernière chaîne regardée s'affiche.
2. Utilisez le bouton **Chaîne suiv/préc** pour changer de chaîne lorsque vous regardez la TV.

Enregistrer un programme TV

1. Utilisez le bouton **Chaîne suiv/préc** ou les touches numériques pour sélectionner le programme que vous souhaitez enregistrer.
2. Pressez le bouton **Enregistrer** de la télécommande pour commencer l'enregistrement.

Lire un programme TV enregistré

Lorsque vous regardez la TV, la fonction **My TV** enregistre automatiquement les programmes TV dans un tampon mémoire. Lorsque vous mettez en pause un programme en direct, **Ma TV** continue à enregistrer jusqu'à 30 minutes de ce programme, afin que vous puissiez reprendre la lecture là où vous l'avez laissé

1. Pressez les boutons **Pause** ou **Stop** pour mettre en pause ou arrêter le programme TV en direct, et commencer la mise en tampon du programme.

Notes :

- L'accès aux programmes TV en direct via la technologie Broadcast On-the-Go varie d'une région à l'autre, selon les configurations de signal de chacune.
- Le copyright des programmes contenus sur le CD de support appartient à leurs propriétaires respectifs. ASUS n'est en aucun responsable de leur mise à jour, ni de l'assistance au dépannage.

2. Pressez le bouton **Lecture** pour reprendre le programme TV à partir du moment où l'avait mis en **Pause** ou **Arrêter**.

Utiliser la fonction Ma musique

La fonction **Ma Musique** vous offre une expérience d'écoute complète. Vous pouvez écouter des CD, afficher les informations des artistes, créer vos propres listes de lecture, classer et écouter vos fichiers par genre, et plus encore.

Ajouter un CD audio dans la bibliothèque multimédia

1. Cliquez sur **Démarrer** et sélectionnez **Windows Media Player** dans le menu Démarrer.
2. Insérez le CD que vous souhaitez ajouter à la Bibliothèque de Windows Media Player.
3. Sur la gauche de Media Player, cliquez sur **Extraire**, puis cliquez sur **Extraire de la musique**.
4. Cliquez sur **Protéger la musique contre la copie**, et cochez la case en face de la licence d'utilisation pour continuer à copier le CD sur le PC Multimédia.
5. Sélectionnez **Changer les paramètres de format actuels** ou **Garder les paramètres de format actuels**, puis cliquez sur **Terminer**. Le contenu du CD est ensuite copié sur votre disque dur.

Écouter de la musique

1. Pressez le bouton **Musique** de la télécommande pour afficher le menu **Ma musique**.
2. Vous pouvez sélectionner la musique que vous souhaitez écouter par album, artiste, titre, ou genre.

Utiliser la fonction Mes images

La fonction **Mes images** permet de visualiser et de gérer vos photos numériques de manière simplifiée et agréable. Vous pouvez visualiser les photos individuellement ou en diaporama avec de la musique.

Afficher les images

1. Pressez le bouton **Photo** de la télécommande pour afficher le menu **Mes images**, et vos dossiers.
2. Utilisez les touches quadri-directionnelles pour sélectionner le dossier que vous souhaitez afficher, et pressez **OK**. Le dossier s'affichera.
3. Sélectionnez l'image que vous souhaitez visualiser, puis pressez le bouton **OK**.

Vous pouvez choisir l'option **Lire le diaporama**, situé sur la barre latérale afin d'afficher les images du dossier dans un diaporama.

Utiliser la fonction Mes vidéos

La fonction **Mes vidéos** vous permet d'apprécier vos vidéos en toute simplicité. Vous pouvez regarder et partager vos vidéos, ainsi que les organiser par nom et par date.

Regarder des vidéos

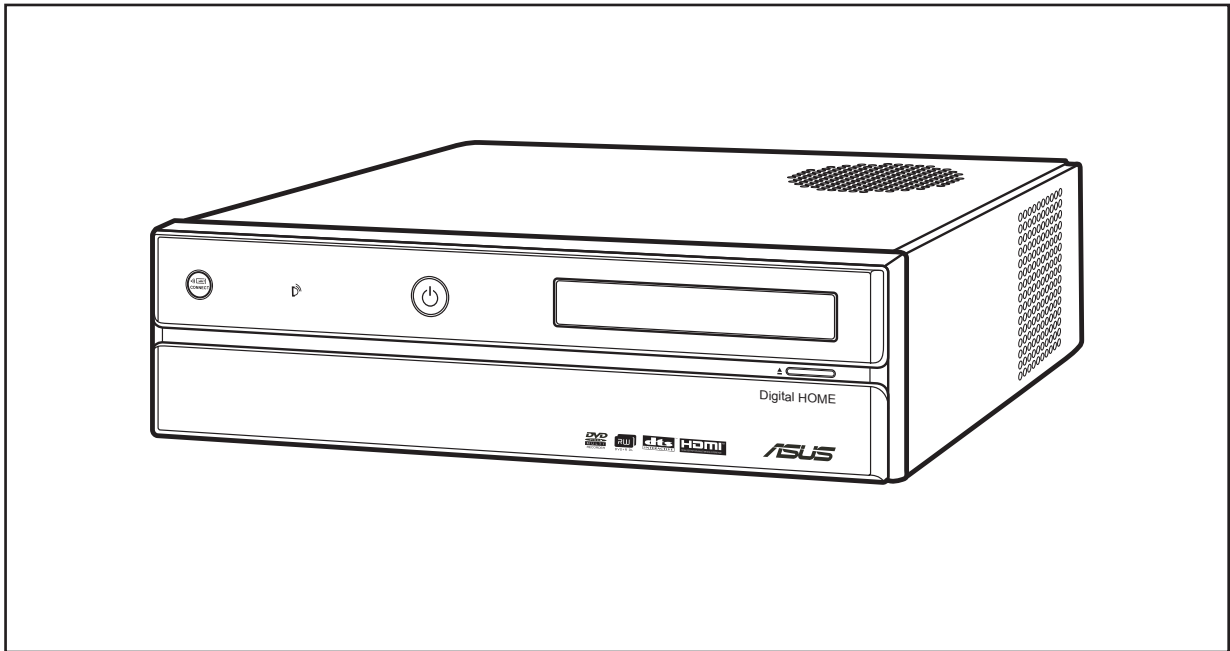
1. Pressez le bouton **Vidéo** de la télécommande pour afficher le menu **Mes vidéos** et vos dossiers.
2. Utilisez les touches quadri-directionnelles pour sélectionner le dossier que vous souhaitez afficher, et pressez **OK**. Le dossier s'affichera.
3. Sélectionnez la vidéo que vous souhaitez regarder, puis pressez le bouton **OK** pour lancer la lecture.

Caractéristiques

Modèle	D22	D20
OS	Microsoft Windows XP Edition Media Center	
Inter ViiV	Inter ViiV v 1.5	
CPU	Intel Conroe E6300 1.86 GHz, FSB 1066/800 MHz, 2M L2 Cache	
Chipset	Intel Broadwater P965 + ICH18-DH	Intel Broadwater G965 + ICH18-DH
Traitement graphique	NVIDIA Série nForce4 7600 (256M, DDR3)	Intel GMA X3000
Mémoire	1Go (DDR2 533 512M x 2), Dual channel	
Disque dur	250G SATA2, NCQ, 7200rpm	160G SATA2, NCQ, 7200rpm
Lecteur optique	16X DVD Dual Supermulti DL	
Tuner	Dual Channel (2A/2D/1A1D) avec Radio , PCI-E x 1	Hybrid avec Radio (Analogique /numérique), PCI
Normes sans fil	802.11b/g	
LAN	10/100/1000 Mbps	
Lecteur de cartes	13-in-1 Slot CF : MD, CF type I & II Slot MS : MS, MS pro, MS duo, MS pro duo Slot SD/MMC : SD, Mini SD (Micro SD via adaptateur), MMC, MMC4.x, RS MMC, RSMMC4.x (MMS mobile via adaptateur)	
Slots d'extension	1 x PCI-E x 16, 2 x PCI-E x 1, 1 x PCI	
S-ATA	SATA II x 4, eSATA x 2	
Audio	Système Intel High Definition Azalia, 7.1	
Panneau avant	USB 2.0 x 2, IEEE 1394 (4 broches) x1, port eSATA x 1, prise microphone x 1, prise casque x 1, lecteur de cartes 13-in-1 x 1	

Modèle	D22	D20
Panneau arrière	port USB 2.0 x 4, port IEEE 1394 x 1, port eSATA x 1,	
	Ports de sortie vidéo : HDMI x 1, port vidéo composante (Y/Pb/Pr) x 1, DVI out x1 (for D22) , D-Sub out x 1 (for D20), port vidéo composite (RGB) x 1, Péritel x 1, adaptateur DVI vers D-Sub x 1 (modèle D22), adaptateur HDMI vers DVI x 1 (modèle D20)	
	Ports d'entrée vidéo : port vidéo composite (RGB) x 1 (via câble adaptateur), port S-video x 1 (via câble adaptateur), TV In x 2 (modèle D22), TV In x 1 (modèle D20)	
	Ports de sortie audio : sortie haut-parleurs 7.1 x 1, port S/PDIF x 1, connecteur coaxial x 1, port vidéo composite (L/R) x 1 (via câble adaptateur)	
	Ports d'entrée audio : port vidéo composite (L/R) x 1 (via câble adaptateur)	
	port 10/100/1000 Ethernet x 1	
Alimentation	275 W (PFC)	
Dimension	357 mm (W) x 95 mm (H) x 398 mm (D)	
<p>Les caractéristiques sont sujettes à modification sans avertissement préalable. ASUS se réserve le droit de remplacer les composants et les accessoires afin de fournir une facilité de service optimale.</p> <p>Vérifiez en présence du revendeur le contenu de la boîte lors de l'achat du périphérique.</p>		

ASUS[®]



Deutsch

Asus Asteio Media Center PC Benutzerhandbuch

Modell D22/ D20

Service und Unterstützung

Besuchen Sie unsere mehrsprachige Webseite unter <http://www.asus.com>

Vorwort

Vielen Dank, dass Sie sich für den Asus Asteio Media Center PC entschieden haben. Lesen Sie sich das Handbuch bitte sorgfältig durch und bewahren Sie es an einem sicheren Ort auf.

Über dieses Handbuch

Es wurden keine Mühen gescheut, den Inhalt dieses Handbuchs korrekt und aktuell zu gestalten. Dennoch kann für die Richtigkeit des Inhalts keine Haftbarkeit übernommen werden. Der Hersteller behält sich das Recht vor, ohne Vorankündigung Änderungen am Produkt vorzunehmen.

Copyright-Informationen

Kein Teil dieses Handbuchs, einschließlich der darin beschriebenen Produkte und Software, darf ohne ausdrückliche, schriftliche Genehmigung des Herstellers in irgendeiner Form, ganz gleich auf welche Weise, vervielfältigt, übertragen, abgeschrieben, in einem Wiedergewinnungssystem gespeichert oder in eine andere Sprache übersetzt werden. Ausgenommen hiervon sind vom Käufer zur Sicherung bewahrte Dokumente.

In diesem Handbuch angegebene Produkt- und Firmennamen können u.U. eingetragene Warenzeichen oder Urheberrechte der entsprechenden Firmen sein und dienen nur der Identifizierung oder Erklärung zu Gunsten des Eigentümers, ohne Rechte verletzen zu wollen.. Alle Markenzeichen sind Eigentum der jeweiligen Besitzer.

Copyright © 2006. Alle Rechte vorbehalten.

Hinweis zur Installation von CATV-Systemen (USA)

Hiermit werden Sie auf Abschnitt 820-93 des "National Electric Code" hingewiesen, in dem Richtlinien zur ordnungsgemäßen Erdung im allgemeinen und der nächstmöglichen Verbindung des Koaxialkabelabschirmung mit dem Erdungssystem des Gebäudes im Besonderen dargelegt sind.

Sicherheitsinformationen

Ihr Asus Asteio Media Center PC wurde auf die neuesten Sicherheitsstandards für Informationstechnologie geprüft und für gut befunden. Um allerdings die sichere Handhabung des Produkts zu gewährleisten, sollten Sie den Anweisungen in diesem Dokument unbedingt Folge leisten.

Einstellen des Systems

- Lesen und befolgen Sie alle Anweisungen des Handbuchs, bevor Sie den Asteio Media Center PC in Betrieb nehmen.
- Benutzen Sie das Produkt nicht in der Nähe von Wasser oder Hitzequellen, z.B. Heizungen.
- Platzieren Sie das System auf einer stabilen Oberfläche.
- Die Öffnungen am Computergehäuse dienen der Belüftung und sollten keinesfalls versperrt oder abgedeckt werden. Vergewissern Sie sich, dass rund um den Computer genügend Abstand (mind. 15 cm) zur optimalen Belüftung vorhanden ist. Stecken Sie keine Gegenstände in die Luftschlitze.
- Wenn Sie ein Verlängerungskabel mit mehreren Steckdosen für den Media Center PC verwenden, vergewissern Sie sich, dass die zulässige Stromstärke insgesamt nicht überschritten wird.
- Wenn Ihr Media Center PC mit einem TV-Tuner, Kabel- oder Satellitenempfänger verbunden wird, sollten Sie sicher gehen, dass die Antenne oder das Kabelsystem elektrisch geerdet ist, um sich vor Spannungstößen und Überspannung zu schützen.

Vorsicht bei der Benutzung

- Treten Sie nicht auf das Stromkabel und stellen Sie nichts darauf ab.
- Halten Sie den Media Center PC von Wasser und anderen Flüssigkeiten fern.
- Wenn der Media Center PC ausgeschaltet ist, fließen immer noch geringe Mengen an Strom. Ziehen Sie immer alle Stecker von Strom- und Modemkabeln ab, bevor Sie das System reinigen.
- Ziehen Sie den Stromstecker ab und geben Sie den PC zur Reparatur an qualifiziertes Personal, wenn:
 - das Stromkabel oder der Stromstecker beschädigt wurden
 - Flüssigkeit im System verschüttet wurde
 - das System nicht ordnungsgemäß funktioniert, auch wenn alle Betriebsanleitungen befolgt werden
 - der PC fallen gelassen wurde oder das Gehäuse beschädigt ist
 - sich die Systemleistung drastisch verändert

Inhalt

Vorwort	i
Über dieses Handbuch	i
Copyright-Informationen	i
Sicherheitsinformationen.....	ii
Einstellen des Systems.....	ii
Vorsicht bei der Benutzung.....	ii
Übersicht	1
Leistungsmerkmale.....	1
Einstellen des Media Center PCs	2
Planen der Media Center PC-Einstellung	2
Beschreibung des Media Center PCs	3
Vorderseite	3
Rückseite.....	4
Anschlüsse.....	8
Anschluss der TV-Signalquelle	8
Einbinden des Media Center PCs.....	10
Verwenden des Fernsehers als Monitor	12
Kabel zum Anschluss an einen Fernseher	12
Anschließen an einen Fernseher	12
Verbinden des Infrarotempfängers mit einem externen Gerät	16
Installieren der Wireless LAN-Antenne.....	16
Installieren der digitalen TV-/ UKW-Antenne.....	17
Anschließen einer digitalen Videokamera.....	17
Anschluss an andere Geräte	18
Konfigurieren von Lautsprecher- und Sound-Optionen	19
Lautsprecherkonfigurationen	20
Anschluss der Lautsprecher.....	21
Anschluss des Media Center PCs an ein Heim-Audiosystem.....	22
Konfigurieren der Audio-Ausgangseinstellungen	23
Audioausgangskonfiguration mit dem SoundMax Audio Wizard	23
Audioausgangskonfiguration mit Windows XP Media Center	24
Benutzen der PC-Hardware.....	25
Benutzen der kabellosen Tastatur	25
Benutzen der Spezialtasten	25

Einlegen der Tastaturbatterien	27
Benutzen der Fernbedienung	28
Einlegen der Fernbedienungsbatterien	30
Benutzen des Speicherkartenlesers	31
Speicherkarteneinschubbeschreibung	31

Starten von Windows XP Media Center..... 33

My TV benutzen	33
Eine TV-Sendung anschauen	33
TV-Sendungen aufnehmen	33
Aufgezeichnete TV-Sendungen abspielen	33
My Music benutzen	34
Musik-CDs zur Medienbibliothek hinzufügen.....	34
Musik abspielen.....	34
My Pictures benutzen.....	34
Bilder ansehen	34
My Videos benutzen	35
Videos anschauen.....	35

Technische Daten 35

Übersicht

Der Asus Asteio Media Center PC verfügt über leistungsstarke Datenberechnung und vielfältige Unterhaltungsfunktionen. Sie können Windows XP Media Center gemeinsam mit anderen Programmen ausführen, oder allein das Windows XP Media Center im Vollbildmodus genießen. Die Fernbedienung des Media Center lässt sich genau so wie Fernbedienungen anderer Unterhaltungsmedien verwenden. Über die Fernbedienung und das Media Center können Sie Fernsehsendungen ansehen und aufzeichnen, Videos und Musik abspielen, und Bilder anschauen.

Sie können das Windows XP Media Center und andere Programme auch mit der Wireless-Tastatur und -Maus bedienen.

Leistungsmerkmale

- AV Entertainment
 - Wiedergabe und Aufnahme von live TV-Sendungen
 - Wiedergabe von DVDs und Heimvideos
 - Wiedergabe von Musikdateien
 - Anzeige und Bearbeitung von Bilddateien
- Verbindungen
 - Anschluss an Wireless-Geräte
 - Videokonferenzen und Konferenzschaltungsfunktion (hierzu wird eine Webkamera und die Skype-Software benötigt)
 - Daten-Streaming zur gemeinsamen Verwendung verschiedener Kanäle
- Unterstützt Bedienungsreichweiten für eine Wireless-Tastatur von bis zu 10m
- Verfügt über 13-in-1-Kartenleser (MD, CF type I & II, MS, MS-Pro, MS-Duo, MS-Pro Duo, SD, Mini SD, MMC, MMC4.x, RS MMC, RSMMC4.x) zur einfachen Datenübertragung

Einstellen des Media Center PCs

Planen der Media Center PC-Einstellung

Bevor Sie die Einstellung Ihres Media Center PCs vornehmen, vergewissern Sie sich zunächst, dass die folgenden Anschlüsse an dem von Ihnen gewählten Einsatzort zur Verfügung stehen.

- Internetverbindung

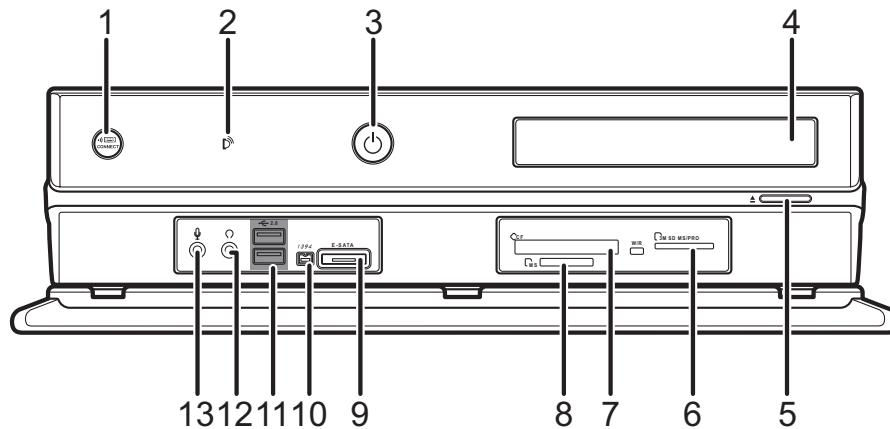
Ihr Computer muss über eine Internetverbindung verfügen, um das EPG (Electronic Program Guide, elektronische TV-Programmorschau) aktualisieren und sich mit dem Internet verbinden zu können. Vergewissern Sie sich, dass Sie über Zugang zu einer Dial-up (Analog/ISND)- oder Broadbandverbindung (ADSL/LAN) verfügen, bevor Sie mit der Windows XP Media Center Software-Einstellung beginnen. Für mehr Informationen zu Internetverbindungen setzen Sie sich mit Ihrem Internetserviceanbieter in Verbindung.

- Videosignalquelle

Vergewissern Sie sich, dass Sie zu einer Videosignalquelle Zugang haben, bevor Sie mit der Einstellung Ihres Media Center PCs beginnen. Ihr Media Center PC empfängt Videosignale von einem Koaxial- oder S-Videokabel. Das Videoeingangssignal kommt normalerweise von einer Antenne, einem Kabelanschluss, einem Digitalempfänger oder einem Satellitenempfänger.

Beschreibung des Media Center PCs

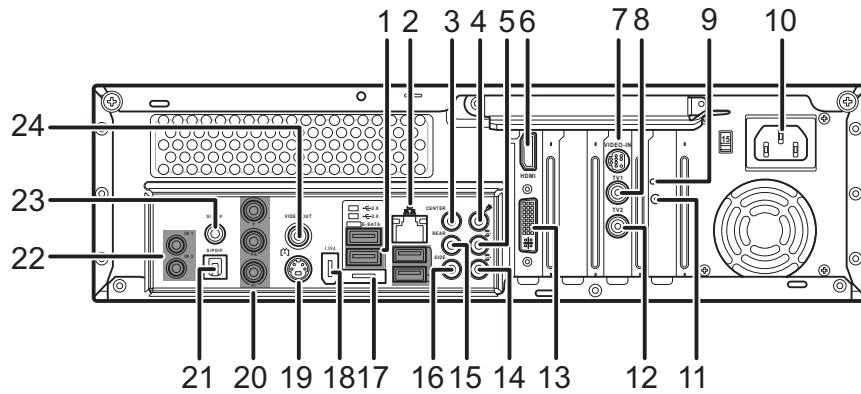
Vorderseite



Element	Komponente	Funktion
1	ID Link-Empfänger	Einstellung einer Wireless-Tastatur mit ID Link
2	Infrarotempfänger	Empfang von Infrarot (IR)-Signalen der Fernbedienung
3	Netzschalter	Ein- oder Ausschalten des PCs
4	Recordable CD-ROM/DVD-Laufwerk	Wiedergabe von Audio CDs und DVDs, Installation von Spielen und Programmen, Sicherung großer Dateien auf CDs und DVDs
5	CD/DVD-Ausgabetaste	Öffnen und Schließen der CD/DVD-Laufwerksschublade
6	SD/MMC Pro-Kartenleser	Datentransfer von einem digitalen Gerät zu Ihrem Media Center PC über den entfernbaren Speicherkartenschacht
7	CompactFlash / MicroDrive-Kartenleser	Datentransfer von einem digitalen Gerät zu Ihrem Media Center PC über den entfernbaren Speicherkartenschacht
8	MS-Kartenleser	Datentransfer von einem digitalen Gerät zu Ihrem Media Center PC über den entfernbaren Speicherkartenschacht
9	E-SATA-Anschluss	Anschluss eines externen Laufwerks
10	IEEE 1394-Anschluss	Anschluss eines IEEE 1394-Geräts, z.B. digitale Camcorder
11	USB-Anschlüsse x 2	Anschluss von USB-Geräten (z.B. USB-Drucker, Kamera, Scanner oder Tastatur)
12	Kopfhörerbuchse	Anschluss von Lautsprechern oder Kopfhörern
13	Mikrofonbuchse	Anschluss von externen Mikrofonen zur Aufnahme oder Übertragung von gesprochenen Dateien

Rückseite

Asteio D22



Deutsch

Element	Komponente	Funktion
1.	USB-Anschlüsse x 4	Anschluss von USB-Geräten (z.B. USB-Drucker, Kamera, Scanner oder Tastatur)
2.	Ethernet-Buchse	Anschluss von 10/100/1000 Ethernet-Netzwerkkabeln
3.	Mittlerer analoger Audioausgang (Line Out)	Anschluss von Mitte/Subwoofer-Lautsprechern mit eigener Stromversorgung oder externen Audioverstärkern
4.	Mikrofonbuchse	Anschluss von externen Mikrofonen zur Aufnahme oder Übertragung von gesprochenen Dateien
5.	Audioausgang	Line Out-Ausgang für vordere Lautsprecher
6.	HDMI	Anschluss von HDMI (High Definition Multimedia Interface)-Geräten
7.	Video In	Anschluss eines Signalkabels von einer Videoquelle
8.	TV 1	Anschluss eines Koaxialkabels (Vom Benutzer einstellbar)
9.	LED-Anzeige	Aktivitätsanzeige der Wireless LAN-Karte
10.	Stromeingangsbuchse	Anschluss des Stromkabels
11.	WIFI-Antennenanschluss	Anschluss einer Wireless LAN-Antenne
12.	TV 2	Anschluss eines Koaxialkabels (Vom Benutzer einstellbar)
13.	DVI-Anschluss	Verbindung eines digitalen Videoausgangsanschlusses für Fernseher/Monitor
14.	Audioeingangsbuchse	Anschluss analoger Audiogeräte wie CD-Player zur Wiedergabe auf dem PC
15.	Rückseitenlautsprecher	Anschluss von Rückseitenlautsprechern in einer Multikanalaudiokonfiguration
16.	Seitenlautsprecher	Anschluss von Seitenlautsprechern in einem System mit acht Lautsprechern

Element	Komponente	Funktion
17.	E-SATA-Anschluss	Anschluss eines externen Laufwerks
18.	IEEE 1394-Anschluss	Anschluss eines IEEE 1394-Geräts, z.B. digitale Camcorder
19.	S-Video-Ausgang	Anschluss an S-Video
20.	Komponent-Video-Anschlüsse	Anschluss eines Komponent-Video-Kabels
21.	S/PDIF-Anschluss (optisch)	Anschluss eines optischen (Toslink) Digital-Audiokabels für digitale Audioübertragung
22.	IR-Anschlüsse x2	Anschluss von IR-Kontrollkabeln für Fernbedienung von Tastaturen oder Digitalempfängern
23.	S/PDIF-Anschluss (RCA)	Anschluss eines RCA-Kabels für digitale Audioübertragung
24.	Video-Ausgang	Anschluss eines RCA-Kabels zu einem Fernseher

Hinweis:

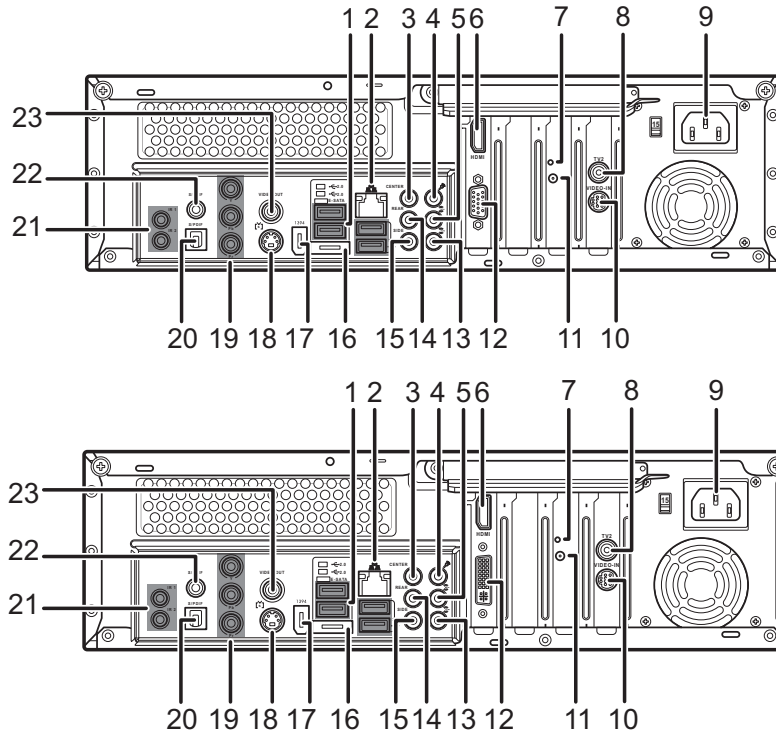
Wählen Sie das Eingangssignal für TV1 und TV2 mit Hilfe der TVConfig-Software aus.

Konfigurieren Sie die TV-Einstellungen mit Hilfe der Asus TVConfig-Funktion auf Ihrem Media Center PC. Öffnen Sie das Asus TVConfig-Programm über das Symbol auf dem Desktop oder über die Programme im Start-Menü. Wählen Sie das Gerät aus dem Menü und prüfen Sie die Einstellungen für analoges Fernsehen, UKW und die DVBT-Kanäle.

**Hinweis:**

Die TVConfig-Funktion ist nur auf dem D22 verfügbar.

Asteio D20



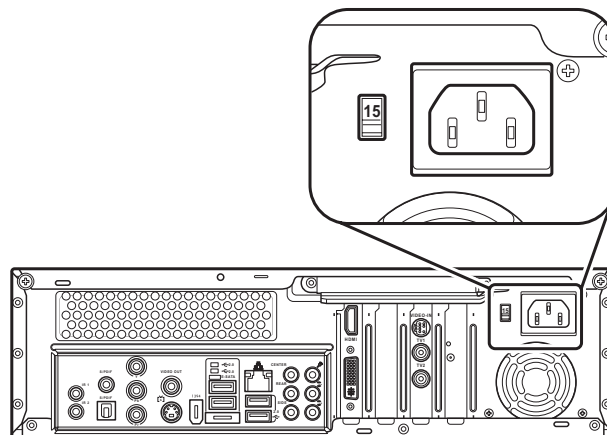
Deutsch

Element	Komponente	Funktion
1.	USB-Anschlüsse x 4	Anschluss von USB-Geräten (z.B. USB-Drucker, Kamera, Scanner oder Tastatur)
2.	Ethernet-Buchse	Anschluss von 10/100/1000 Ethernet-Netzwerkkabeln
3.	Mittlerer analoger Audioausgang (Line Out)	Anschluss von Mitte/Subwoofer-Lautsprechern mit eigener Stromversorgung oder externen Audioverstärkern
4.	Mikrofonbuchse	Anschluss von externen Mikrofonen zur Aufnahme oder Übertragung von gesprochenen Dateien
5.	Audioausgang	Line Out-Ausgang für vordere Lautsprecher
6.	HDMI	Anschluss von HDMI (High Definition Multimedia Interface)-Geräten
7.	LED-Anzeige	Aktivitätsanzeige der Wireless LAN-Karte
8.	TV	Anschluss eines TV-Signalkabels
9.	Stromeingangsbuchse	Anschluss des Stromkabels
10.	Video In	Anschluss eines Koaxialkabels von einer Videoquelle
11.	WIFI-Antennenanschluss	Anschluss einer Wireless LAN-Antenne

Element	Komponente	Funktion
12.	VGA-Anschluss/ DVI-Anschluss	Verbindung eines digitalen Videoausgangsanschlusses für Fernseher/Monitor
13.	Audioeingangsbuchse	Anschluss analoger Audiogeräte wie CD-Player zur Wiedergabe auf dem PC
14.	Rückseitenlautsprecher	Anschluss von Rückseitenlautsprechern in einer Multikanalaudiokonfiguration
15.	Seitenlautsprecher	Anschluss von Seitenlautsprechern in einem System mit acht Lautsprechern
16.	E-SATA-Anschluss	Anschluss eines externen Laufwerks
17.	IEEE 1394-Anschluss	Anschluss eines IEEE 1394-Geräts, z.B. digitale Camcorder
18.	S-Video-Ausgang	Anschluss an S-Video
19.	Komponent-Video-Anschlüsse	Anschluss eines Komponent-Videokabels
20.	S/PDIF-Anschluss (optisch)	Anschluss eines optischen (Toslink) Digital-Audiokabels für digitale Audioübertragung
21.	IR-Anschlüsse x2	Anschluss von IR-Kontrollkabeln für Fernbedienung von Tastaturen oder Digitalempfängern
22.	S/PDIF-Anschluss (RCA)	Anschluss eines RCA-Kabels für digitale Audioübertragung
23.	Video-Ausgang	Anschluss eines RCA-Kabels zu einem Fernseher

Hinweis:

- Die Anschlüsse können je nach dem von Ihnen erworbenen Modell variieren.
- Vergewissern Sie sich, dass Sie die vom Hersteller empfohlene Spannung verwenden, bevor Sie den Media Center PC einschalten. Die empfohlene Spannung finden Sie links von der Stromeingangsbuchse.



Anschlüsse

Anschluss der TV-Signalquelle

Ihr Media Center PC verfügt über Anschlüsse für Video-In oder koaxiale (TV-) Eingabe. Wählen Sie den Anschluss aus, der von Ihrer Signalquelle unterstützt wird:

- **Video-In**

Dieses Videosignal liefert die beste Videoqualität für Ihren Media Center PC. Wenn Sie Video-In verwenden, müssen Sie auch die Audiosignalquelle über RCA-Stereostecker anschließen.

- **Koaxial (TV)**

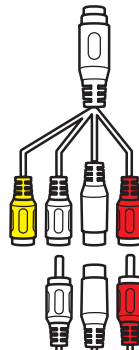
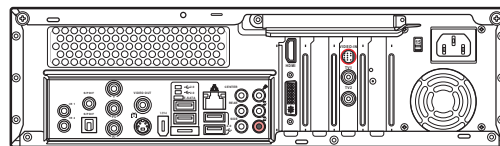
Video- und Audiosignale werden beide über ein einziges Kabel übertragen. Das Koaxialkabel ist die direkteste Verbindung zwischen einer Kabel- oder Antennenvideoquelle und Ihrem Media Center PC.

Hinweis:

In einer MCE-Umgebung werden die analogen Fernseh- und UKW-Funktionen deaktiviert, wenn das Gerät darauf eingestellt wurde, digitale Fernsehsignale zu empfangen, und umgekehrt.

Anschluss des TV-Signals über S-Video

1. Verbinden Sie das im Lieferumfang enthaltene Video-Eingangskabel mit einer Signalquelle wie einem Digitalempfänger, einem Satellitenempfänger oder einer anderen Videoquelle und dem im Lieferumfang enthaltenen Video-Adapterkabel. Verbinden Sie es dann mit dem Video-Eingang auf der Rückseite Ihres Media Center PCs.
2. Verbinden Sie ein RCA-Kabel mit den Audio-Ausgangsbuchsen am Videogerät und der roten Line-In-Buchse auf der Rückseite Ihres Media Center PCs.

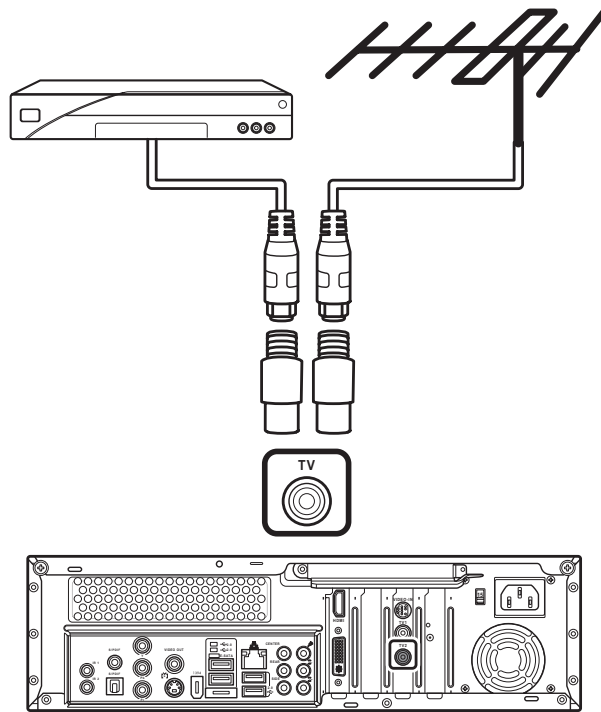


Hinweis:

Verwenden Sie das RCA-Adapterkabel, um RCA-Kabel anzuschließen.

Anschluss an das TV-Signal / Koaxial-TV

Schließen Sie ein Koaxialkabel (nicht im Lieferumfang enthalten) an ein Videogerät (z.B. Kabelanschluss, Digitelempfänger, Satellitenempfänger oder Antenne) und die TV2-Buchse an der Rückseite des Media Center PCs an.



Konfigurieren Sie die TV-Einstellungen mit Hilfe der Asus TVConfig-Funktion auf Ihrem Media Center PC. Öffnen Sie das Asus TVConfig-Programm über das Symbol auf dem Desktop oder über die Programme im Start-Menü. Wählen Sie das Gerät aus dem Menü und prüfen Sie die Einstellungen für analoges Fernsehen, UKW und die DVBT-Kanäle.



Hinweis:

Die TVConfig-Funktion ist nur auf dem D22 verfügbar.



Einbinden des Media Center PCs

In diesem Abschnitt wird beschrieben, wie Sie den Media Center PC in Ihren bestehenden TV-Anschluss integrieren können.

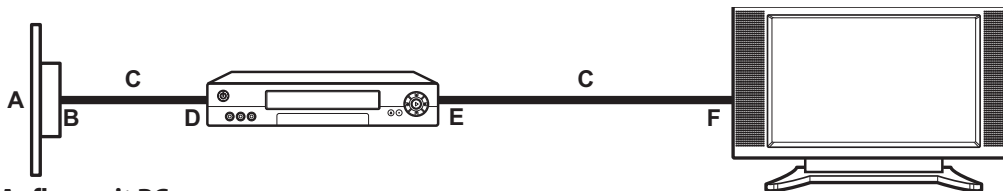
Aufbau von Wand zu Videorekorder zu Fernseher über ein Koaxialkabel

Entfernen Sie das Koaxialkabel vom Eingang des Videorekorders und schließen Sie es an den Eingang eines Koaxialkabelsignalsplitters (nicht im Lieferumfang enthalten) an. Verbinden Sie zwei Koaxialkabel mit den Splitterausgängen.

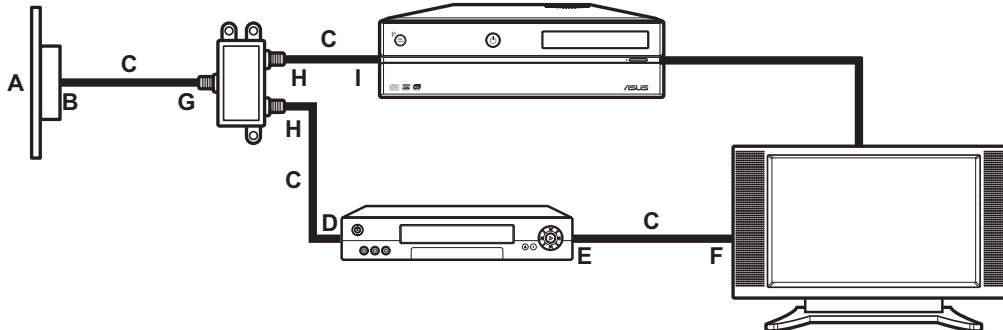
Verbinden Sie eines dieser Kabel mit dem Eingang des Videorekorders und das andere mit dem TV-Eingang an der Rückseite Ihres Media Center PCs.

Deutsch

Aufbau ohne PC



Aufbau mit PC



- A Wand
- B Kabelausgang
- C Koaxialkabel
- D Videorekordereingang
- E Videorekorderausgang
- F TV-Eingang
- G Splitter-Eingang
- H Splitter-Ausgang
- I TV-Eingangsbuchse an der Rückseite des Media Center PCs

Hinweis:

Splitter sind im Lieferumfang nicht enthalten.

Aufbau mit Digitaempfänger oder Satellitenempfänger, Videorekorder und Fernseher über ein Koaxialkabel

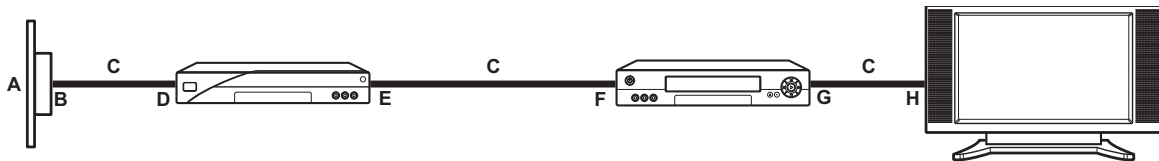
Entfernen Sie das Koaxialkabel vom Eingang des Videorekorders und schließen Sie es an den Eingang eines Koaxialkabelsignalsplitters (nicht im Lieferumfang enthalten) an. Verbinden Sie zwei Koaxialkabel mit den Splitterausgängen.

Verbinden Sie eines dieser Kabel mit dem Eingang des Videorekorders und das andere mit dem TV-Eingang an der Rückseite Ihres Media Center PCs.

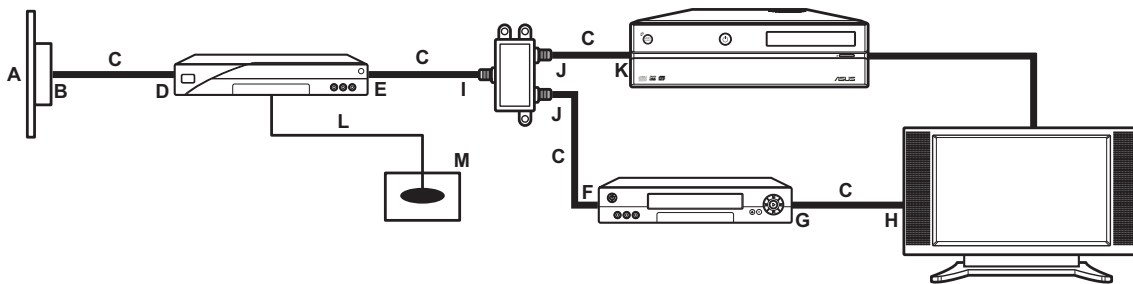
Hinweis:

Schließen Sie Ihren Digitaempfänger über ein Koaxialkabel an den Videorekorder an.

Aufbau ohne PC



Aufbau mit PC

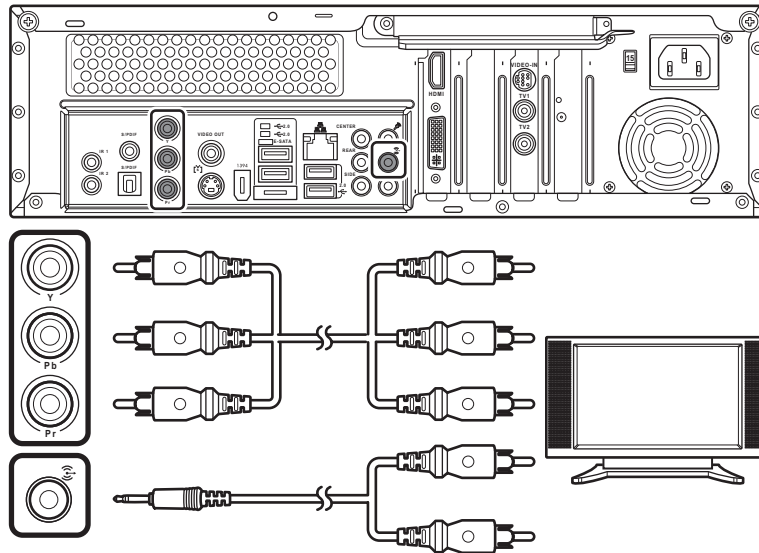


- A Wand
- B Kabelausgang
- C Koaxialkabel
- D Digitaempfänger-/Satelliteneingang
- E Digitaempfänger-/Satellitenausgang
- F Videorekordereingang
- G Videorekorderausgang
- H TV-Eingang
- I Splitter-Eingang
- J Splitter-Ausgang
- K TV-Eingangsbuchse an der Rückseite des Media Center PCs
- L Fernbedienungssensorkabel
- M Fernbedienungssensor

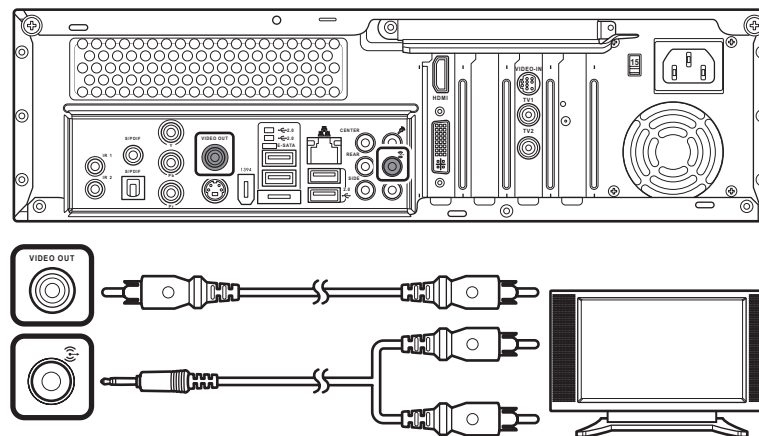
Hinweis:

Splitter sind im Lieferumfang nicht enthalten.

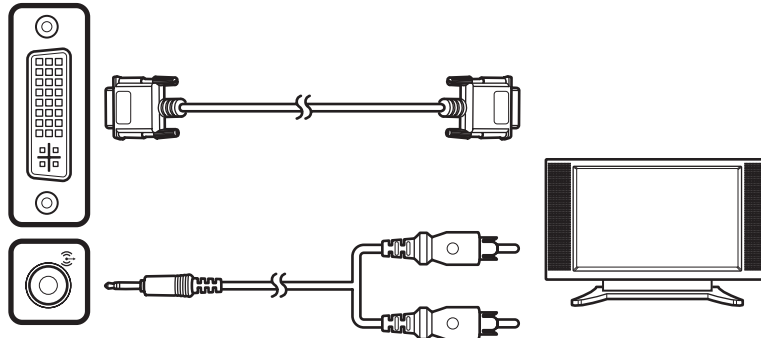
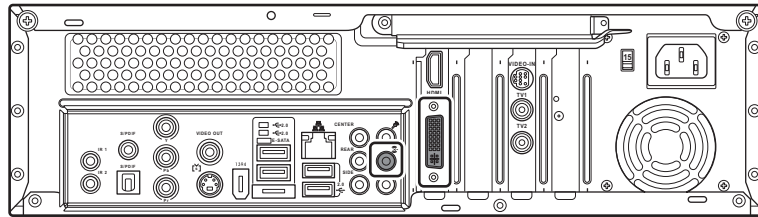
Wenn Ihr Fernseher über einen Component Videoeingang verfügt, schließen Sie ein Component Videokabel an die Component Videobuchse des Fernsehers und den Component Videoausgang an der Rückseite Ihres Media Center PCs an.



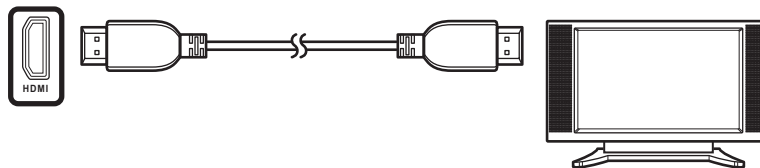
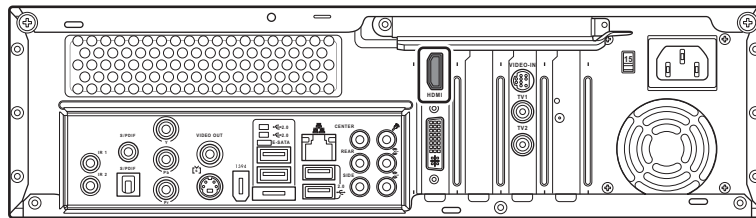
Wenn Ihr Fernseher über einen Videoeingang verfügt, schließen Sie ein Videokabel an den Videoeingang des Fernsehers und den Videoausgang an der der Rückseite Ihres Media Center PCs an.



Wenn Ihr Fernseher über einen DVI-Anschluss verfügt, schließen Sie ein DVI-Kabel an den DVI-Anschluss des Fernsehers und den DVI-Anschluss auf der Rückseite Ihres Media Center PCs an.

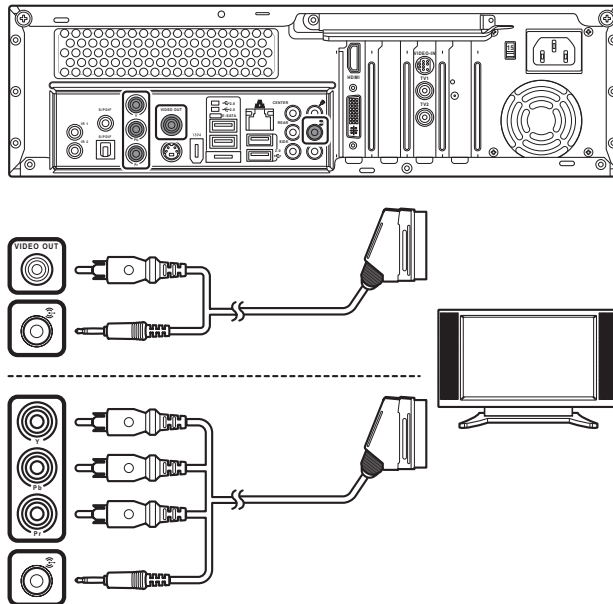


Wenn Ihr Fernseher über einen HDMI-Anschluss verfügt, schließen Sie ein HDMI-Kabel an den HDMI-Anschluss des Fernsehers und den HDMI-Anschluss auf der Rückseite Ihres Media Center PCs an.



Deutsch

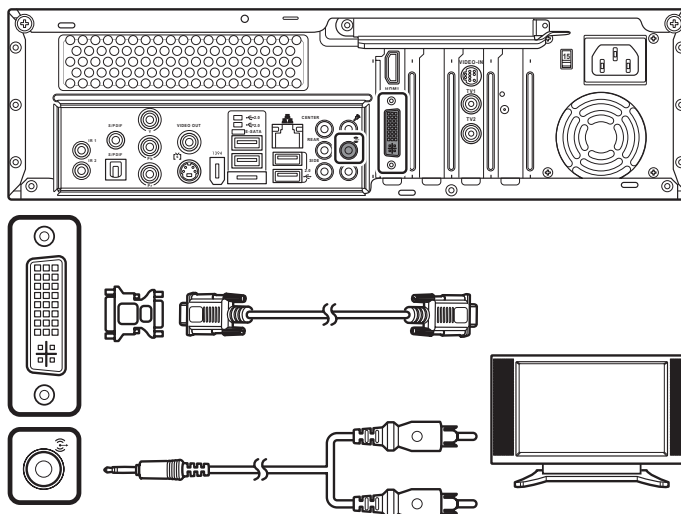
Wenn Ihr Fernseher über einen **SCART**-Anschluss verfügt, schließen Sie ein SCART-/Composite-Videokabel an den **SCART**-Anschluss des Fernsehers und an die Anschlüsse **Video Out** und **Line Out** (hellgrün) an der Rückseite des Media Center PCs an. Sie können Ihren Media Center PB auch wie im Folgenden abgebildet über ein SCART-/Component-Kabel mit einem Fernseher verbinden.



Hinweis:

Die Abbildungen der Kabel sind nur zur Veranschaulichung gedacht; die beigelegten Kabel können unterschiedlich ausfallen.

Falls Ihr Fernseher über einen VGA-Anschluss verfügt, schließen Sie zuerst einen VGA-Konverter an den DVI-Anschluss auf der Rückseite des Media Center PCs (nur am Asteio D22) an und verbinden Sie dann Ihren PC über ein VGA-Kabel mit dem Fernsehen.



3. Schalten Sie den Fernseher ein und wählen Sie den TV In-Videoeingang oder die PC-Quelle, je nach Ihrem Fernseher, an.

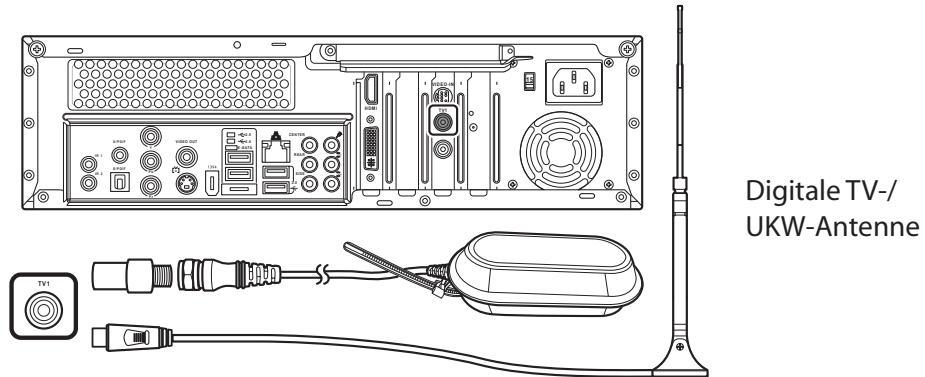
Hinweis:

Die Luftschlitze am Gehäuse werden zur Belüftung benötigt und dürfen nicht abgedeckt werden.

Installieren der digitalen TV-/UKW-Antenne

Gehen Sie folgendermaßen vor, um die digitale TV-/UKW-Antenne zu installieren:

1. Stecken Sie den NTSC-zu-PAL-Konverter an die digitale TV-/UKW-Antenne.
2. Schließen Sie die digitale TV-/UKW-Antenne an die TV-Buchse an der Rückseite Ihres Media Center PCs.



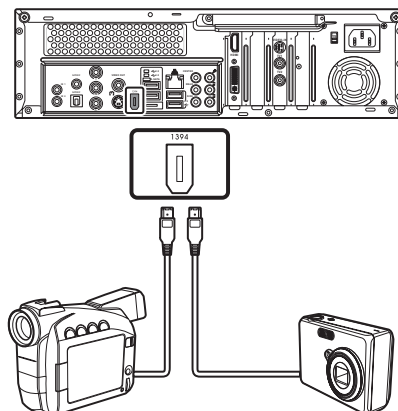
Hinweis:

- Die Abbildungen der Antennen sind nur zur Veranschaulichung gedacht; die beigelegten Antennen können unterschiedlich ausfallen.
- Empfangssignal und -qualität der digitalen TV-/UKW-Antenne kann in verschiedenen Regionen variieren.

Anschließen einer digitalen Videokamera

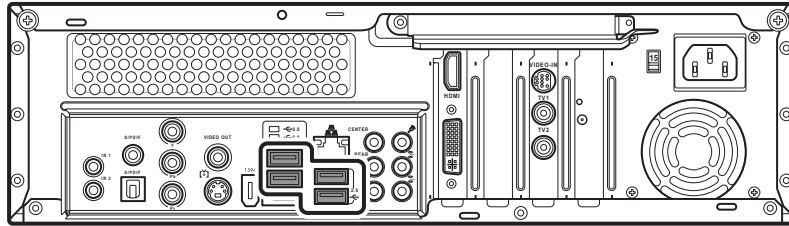
Gehen Sie folgendermaßen vor, um eine Digitalkamera oder eine digitale Videokamera anzuschließen.

1. Schalten Sie Ihren Media Center PC ein und warten Sie, bis Windows XP gestartet wurde.
2. Schließen Sie das Videotransferkabel an die Kamera dann an einen freien USB- oder IEEE 1394 (Firewire)-Anschluss an Ihrem Media Center PC an.
3. Die Nachricht **Neue Hardware gefunden** wird angezeigt. Folgen Sie den Anweisungen auf dem Bildschirm, um die notwendigen Einstellungen des neuen Geräts vorzunehmen. Sobald die Installation abgeschlossen ist, erscheint eine Nachricht, dass die Kamera bereit zur Benutzung ist.

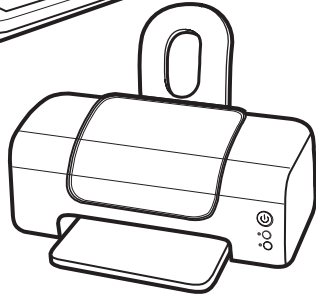
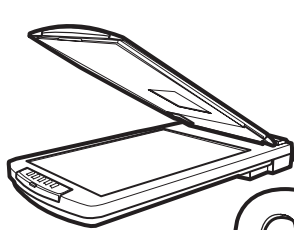


Anschluss an andere Geräte

Andere Peripheriegeräte wie Drucker, Scanner, Kartenleser und PDAs können ebenfalls an den Media Center PC angeschlossen werden.



Scanner



Drucker

PDA









Kartenlesegerät



Konfigurieren von Lautsprecher- und Sound-Optionen

Asus Media Center PC unterstützt viele verschiedene Audio-Optionen, Sound-Verbindungen und Lautsprecherkonfigurationen. Sie können Ihren PC einrichten, um zwei Stereolautsprecher oder ein Mehrkanal-Lautsprechersystem zu benutzen. Verbinden Sie Ihr Lautsprechersystem mit dem PC und konfigurieren Sie die Software für den Audio-Ausgang.

Asus Media Center PC besitzt an der Rückseite sechs Audioanschlüsse. Sie können ebenso ein 7.1 Audiosystem anschließen.

Audioanschlüsse	Beschreibung
	Line SIDE (grau); Anschluss der Seitenlautsprecher eines Acht-Lautsprechersystems (7.1)
	Line CENTER (orange); Anschluss des Center/Subwoofer-Lautsprechers eines Mehrkanal-Lautsprechersystems
	Line REAR (schwarz); Anschluss der hinteren Lautsprecher eines Mehrkanal-Lautsprechersystems
	Line Out (hellgrün); Anschluss der Frontlautsprecher
	Line In (rot); Anschluss eines analogen Audiogeräts, z.B. CD-Player als Eingangsgerät
	Mic (hellblau); Anschluss eines Mikrofons

Lautsprecherkonfigurationen

Sie können Ihren Media Center PC für die folgenden unterstützten Konfigurationen einrichten:

Name	Lautsprechersystem
Kopfhörer	kein
2 (Stereo)	Linker Lautsprecher, rechter Lautsprecher
2.1	Linker Lautsprecher, rechter Lautsprecher und ein Subwoofer (Basslautsprecher)
4.1	Zwei Frontlautsprecher, zwei hintere Lautsprecher und ein Subwoofer
6/ 5.1	Zwei Frontlautsprecher, zwei hintere Lautsprecher, ein Center-Lautsprecher und ein Subwoofer
8/ 7.1	Zwei Frontlautsprecher, zwei hintere Lautsprecher, zwei Seitenlautsprecher, ein Center-Lautsprecher und ein Subwoofer
Home-Audio-System	Home-Stereo- oder Heimkino-Audiosystem mit passiven Lautsprechern

Deutsch

Lautsprecherarten

Ihr PC unterstützt nur aktive (verstärkte) Lautsprechersysteme. Ein aktives Lautsprechersystem muss seine eigene Stromversorgung besitzen. Ein Home-Audio-System benötigt keine aktiven Lautsprecher, weil der Receiver die Verstärkung übernimmt.

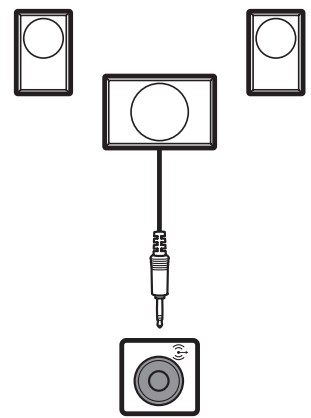
Ein Stereolautsprecherpaar ist ein links-rechts-, Zweikanal-Lautsprechersystem. Mehrkanal-Lautsprechersysteme bestehen aus Links-Rechts Front- und Links-Rechts hintere Kanäle und können einen Subwoofer und einen Center-Lautsprecher beinhalten. Seitenlautsprecher sind in mehr fortgeschrittenen Systemen enthalten. Ein Subwoofer liefert einen verbesserten Bass-Klang.

„.1“ benennt einen Subwoofer. Zum Beispiel beziehen sich 7.1-Kanäle auf einen Acht-Lautsprechermodus und benutzt zwei Frontlautsprecher (links & rechts), zwei Seitenlautsprecher (links & rechts), zwei hintere Lautsprecher (links & rechts), einen Center-Lautsprecher und einen Subwoofer.

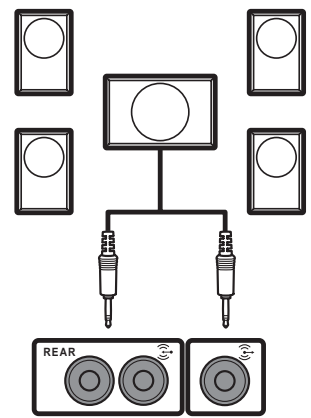
Anschluss der Lautsprecher

Die folgenden Abbildungen zeigen Ihnen, wie Sie die Lautsprecher entsprechend Ihres Systems an den Media Center PC anschließen. Nach dem Anschluss der Lautsprecher an den PC konfigurieren Sie bitte die Audioeinstellungen für die Tonausgabe an Ihrem Media Center PC.

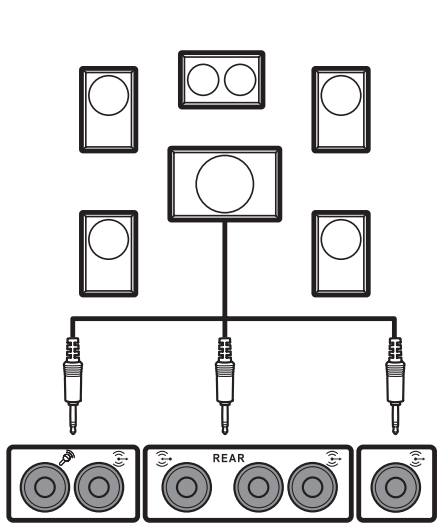
2 Lautsprecher



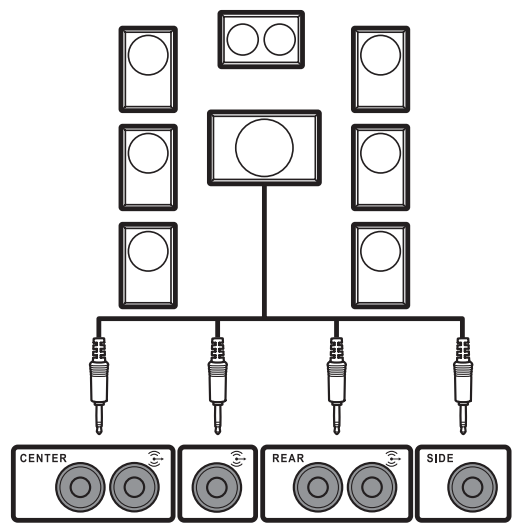
4 Lautsprecher



5 Lautsprecher und ein Subwoofer



7 Lautsprecher und ein Subwoofer

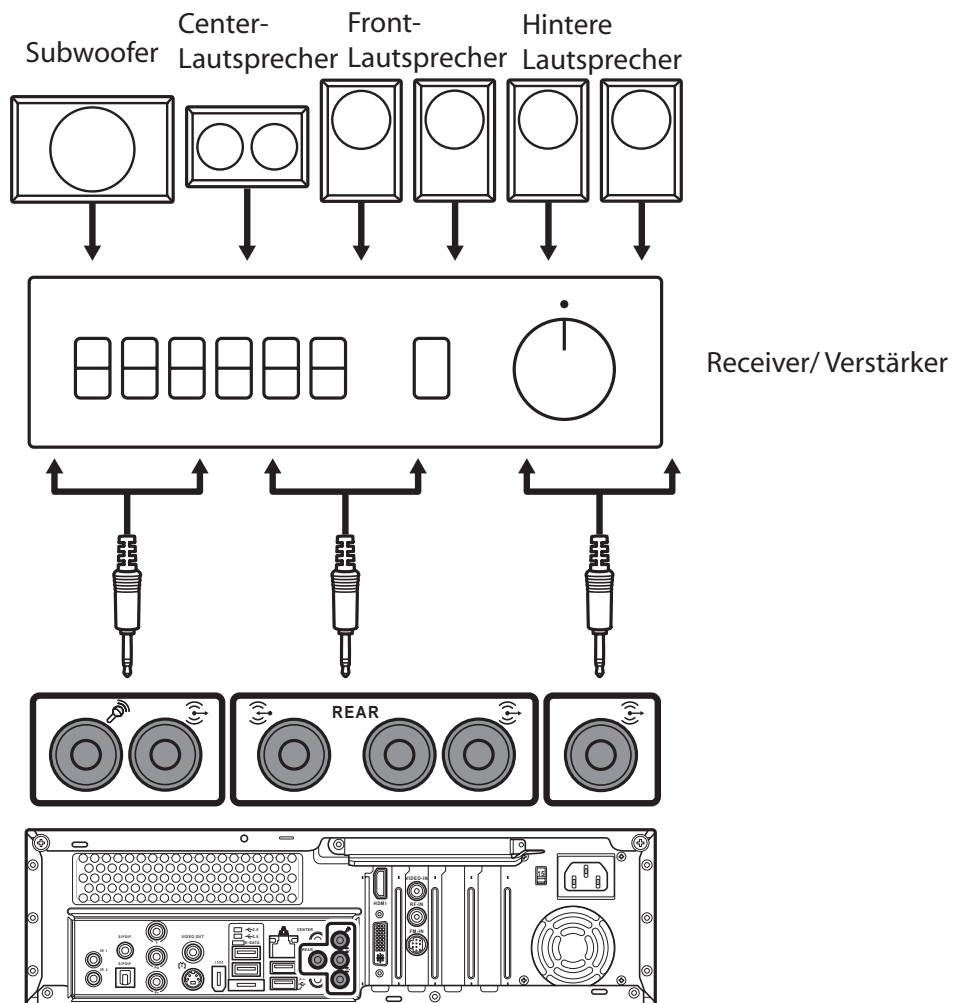


Deutsch

Anschluss des Media Center PCs an ein Heim-Audiosystem

Sie können Ihren Media Center PC mit Ihrer Stereoanlage oder Heimkinoanlage (Mehrkanal-Audioreceiver/-Verstärker) verbinden und die vorhandenen Lautsprecher benutzen.

Die meisten Receiver/Verstärker haben RCA-Eingangsbuchsen. Sie benötigen eventuell einen Y-Adapter, um den Receiver oder Verstärker an Ihren Media Center PC anzuschließen.



Konfigurieren der Audio-Ausgangseinstellungen

Sie können Ihre Lautsprecherausgänge mit den auf dem Media Center PC installierten Programmen SoundMax oder Media Center einstellen.


Audioausgangskonfiguration mit dem SoundMax Audio-Assistenten

Nach dem Lautsprecheranschluss am Media Center PC folgen Sie den nachstehenden Schritten, um die Audioeinstellungen zu konfigurieren:

1. Klicken Sie auf **Start** in der Taskleiste, um das Windows Startmenü zu öffnen.
2. Klicken Sie auf **Alle Programme**.
3. Wählen Sie **SoundMax**, um das Programm zu öffnen. Es erscheint das SoundMax-Fenster mit diesen Einstellungsmöglichkeiten.









Deutsch

4. Klicken Sie auf das Audio Wizard-Symbol  in der Taskleiste, um die Audioausgangseinstellungen für Ihr Lautsprechersystem zu konfigurieren.
5. Wählen Sie die Option, die die Anzahl der Lautsprecher in Ihrem System beschreibt, aus der Drop-Down-Liste aus.
6. Es erscheint das Lautstärkeinstellungsfenster. Regeln Sie die Lautstärke für jeden Lautsprecher durch Schieben des Lautstärkereglers oder regeln Sie die Lautstärke für alle Lautsprecher gleichzeitig mit dem Hauptregler in der Mitte des Fensters.
7. Klicken Sie auf **Next**. Es erscheint das Fenster für die Mikrofonlautstärkeinstellung. Klicken Sie auf **Microphone Test**, um das Mikrofon zu testen und klicken Sie dann auf **Next**, um fortzufahren.
8. Klicken Sie auf **Finish**, um den SoundMax Audio-Assistenten zu beenden.

SoundMax-Taskleiste benutzen

Das SoundMax-Fenster besteht aus den folgenden Funktionen:

1.  Audio Wizard: Hier klicken, um das Audio Wizard-Fenster zu öffnen und die Audioeinstellungen zu konfigurieren.
2.  Default settings: Hier klicken, um alle Werte auf die Werkseinstellungen zurückzusetzen.
3.  Preference settings: Hier klicken, um das Fenster für die bevorzugten Einstellungen zu öffnen und die Einstellungen Ihren Bedürfnissen anzupassen.
4.  Volume control: Hier klicken, um das Fenster für die Lautstärkekontrolle anzuzeigen/verbergen.
5.  Record setting: Hier klicken, um das Fenster für die Aufnahmeeinstellungen anzuzeigen/verbergen.
6.  Help: Hier klicken, um das Hilfe-Fenster anzuzeigen.

Audioausgangskonfiguration mit Windows XP Media Center

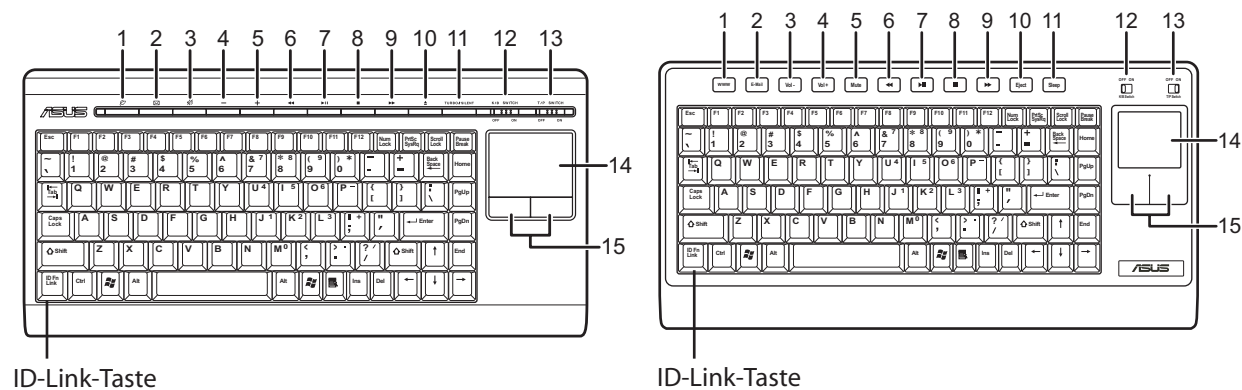
1. Klicken Sie auf **Start** in der Taskleiste, um das Windows-Startmenü zu öffnen.
2. Klicken Sie auf **Alle Programme**.
3. Wählen Sie **Windows XP Media Center**, um das Programm zu starten. Es erscheint das Windows XP Media Center-Fenster auf dem Bildschirm.
4. Wählen Sie im Hauptmenü des Programms **Settings**.
5. Wählen Sie **Speaker Configuration** und klicken Sie auf **Next**.
6. Wählen Sie die Anzahl der Lautsprecher in Ihrem System und klicken Sie auf **Next**.
7. Testen Sie Ihren Lautsprecherausgang. Wählen Sie den Test **outcome** und klicken Sie auf **Next**, um fortzufahren.
8. Klicken Sie auf **Finish**, um das Programm zu beenden.

Benutzen der PC-Hardware

Benutzen der kabellosen Tastatur

Ihr Media Center PC ist mit einer kabellosen Tastatur mit eingebauten IR-Empfänger ausgestattet. Eine LED-Anzeige an der rechten oberen Ecke zeigt die Empfängeraktivität an.

Benutzen der Spezialtasten



ID-Link-Taste

ID-Link-Taste

Deutsch

Die folgende Tabelle macht Sie mit den Funktionen der Spezialtasten vertraut.

Nr.	Funktion	Beschreibung
1.	Internet	Internetbrowser öffnen
2.	E-Mail	E-Mail-Programm starten
3.	Stummschaltung	Ton ausschalten
4.	Lautstärke verringern	Drücken, um Lautstärke zu verringern
5.	Lautstärke erhöhen	Drücken, um Lautstärke zu erhöhen
6.	Zurück	Mediendatei zurückspulen
7.	Wiedergabe/Pause	Mediendatei wiedergeben oder anhalten
8.	Stopp	Mediendateiwiedergabe stoppen
9.	Vorwärts	Mediendatei vorspulen
10.	Auswerfen	CD-Schublade ausfahren
11.	Turbo/Leise	Umschalten zwischen Turbo- oder Leisen Modus
12.	Tastatur-Einschalter	Schaltet die Tastatur ein oder aus
13.	Touchpad-Taste	Aktiviert/deaktiviert das Touchpad
14.	Touchpad	Zum Bewegen des Mauszeigers durch Ziehen mit der Fingerspitze
15.	Links/rechts-Klicktasten	Funktioniert als linke/rechte Maustaste

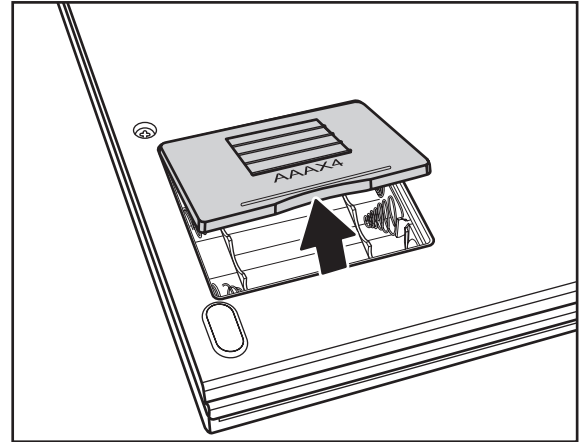
Hinweis: Die oben abgebildete Tastatur ist nur zur Veranschaulichung gedacht und kann sich von der mitgelieferten Tastatur unterscheiden.

Hinweise:

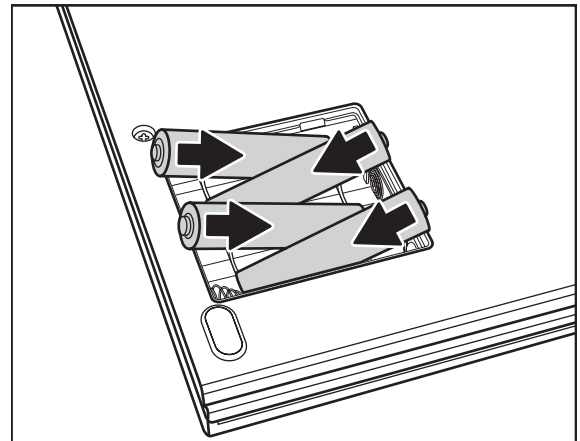
- Wenn Ihr Media Center PC die kabellose Tastatur nicht erkennt, drücken Sie bitte die Taste **Connect** in der oberen linken Ecke der Fronttafel und die Taste **ID Link** in der unteren linken Ecke der Tastatur.
- Ihr Media Center PC kann in zwei Modi arbeiten:
 - Silent mode:** Im leisen Modus reduziert das System automatisch die CD-ROM-Übertragungsrate und die Geschwindigkeit des Prozessors und des Grafikprozessors. Dadurch wird dem Benutzer eine leise Arbeitsumgebung geboten. Diese Einstellung ist der Standard-Systemmodus.
 - Turbo mode:** Im Turbo-Modus verwendet das System die höchstmögliche Geschwindigkeit für CD-ROM, Prozessor und Grafikprozessor, um die höchstmögliche Leistung zu erreichen. Dieser Modus ist ideal für aufgabenabhängige Hochleistung, wie z.B. Spiele oder Verarbeitung mehrerer Mediendateien.
- Die kabellose Tastatur ist mit einem Energiesparmodus ausgestattet, um den Stromverbrauch zu senken. Wenn die kabellose Tastatur für länger als drei Minuten nicht benutzt wird, wird sie in den Stromsparmmodus versetzt. Drücken Sie eine beliebige Taste (ausgenommen das Touchpad und die links/rechts-Klicktasten), um in den Normalmodus zurückzukehren. (Im Energiesparmodus beträgt der Batteriestromverbrauch nur 1,88% des Verbrauchs im Normalmodus.)

Einlegen der Tastaturbatterien

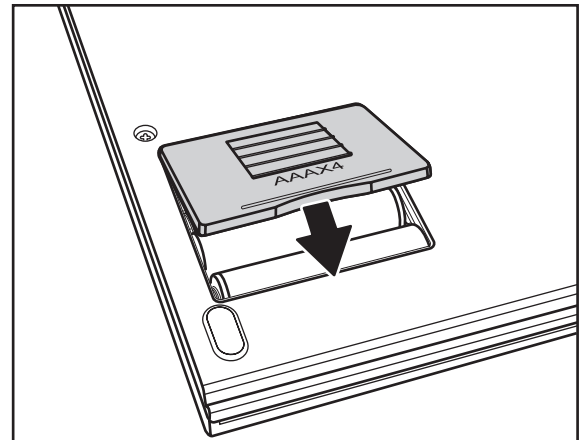
1. Öffnen Sie das Batteriefach an der Unterseite der Tastatur.



2. Legen Sie die Batterien unter Beachtung der Polung in das Batteriefach ein.



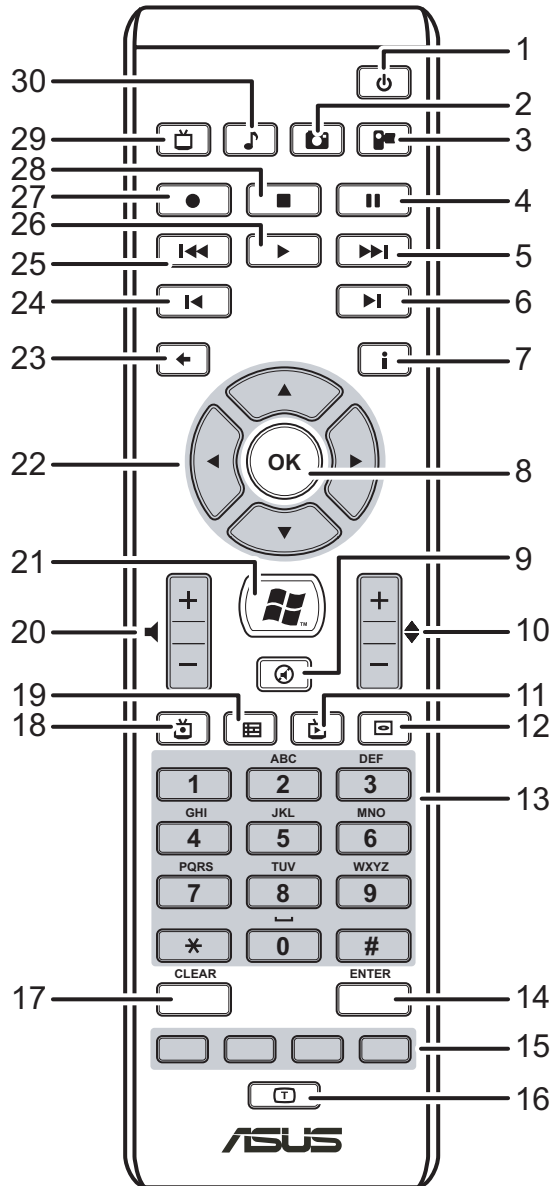
3. Setzen Sie den Batteriefachdeckel wieder ein.



Benutzen der Fernbedienung

Benutzen Sie die Fernbedienung, um das Windows XP Media Center-Programm zu öffnen und es zum Fernsehen, zur TV-Programmaufnahme, Videowiedergabe oder zur Wiedergabe anderer Medien, z.B. Musik-CD, DVD usw. zu benutzen.

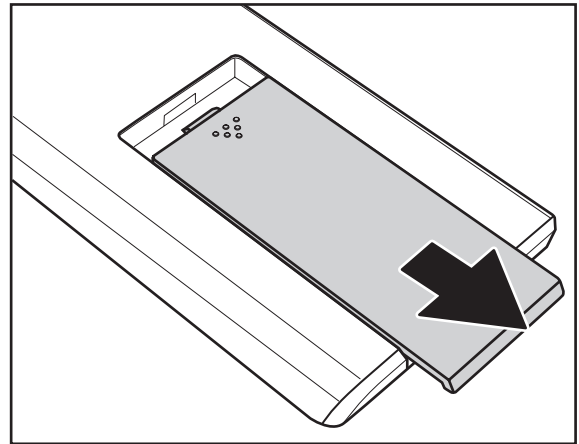
Die folgende Tabelle macht Sie mit den Funktionen der Fernbedienung bekannt.



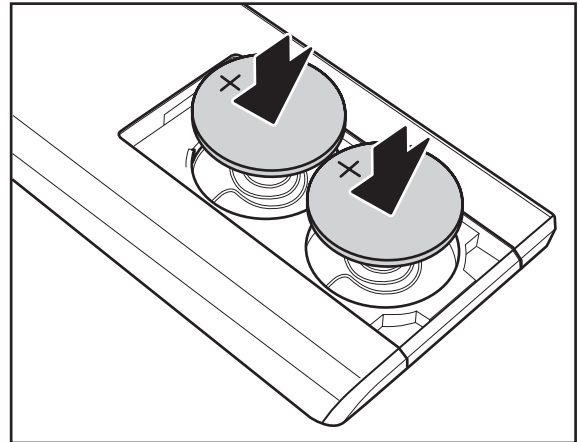
Nr.	Name	Funktion
1.	Aus-Taste	Zum Ausschalten des Bildschirms und der Lautsprecher. (Abwesenheitsmodus)
2.	Foto	Fotomodus
3.	Video	Videomodus
4.	Pause	Pause während der Medienwiedergabe
5.	Schneller Vorlauf	Schneller Vorlauf für Mediendatei
6.	Nächster Titel	Weiter zum nächsten Titel
7.	Information	Programminformationsbildschirm anzeigen
8.	OK-Taste	Eine Aktion bestätigen
9.	Stummtaste	Ton ausschalten
10.	Kanal auf/ab	Kanalwechsel während der TV-Anzeige
11.	Live TV-Taste	Live TV-Programme ansehen
12.	DVD-Taste	Umschalten auf DVD-Quelle
13.	Zifferntasten	Kanalnummer direkt eingeben
14.	Eingabetaste (Enter)	Eine Auswahl bestätigen
15.	Videotext-Tasten	Nur an europäischen Modellen verfügbar.
16.	Umschalttaste	Zwischen numerischer und alphanumerischer Eingabe umschalten
17.	Löschen	Eingabeinformationen löschen
18.	TV-Aufnahme	Laufendes TV-Programm aufnehmen
19.	EPG (Electronic Program Guide)	Elektronische TV-Programmorschau anzeigen
20.	Lautstärke auf/ab	Lautstärke erhöhen oder verringern
21.	Windows Media Center	Media Center-Programm öffnen
22.	Vier-Wege-Navigationstasten	Durch OSD-Menüs navigieren
23.	Zurück	Zurück zur vorherigen Seite
24.	Vorheriger Titel	Zurück zum vorherigen Titel
25.	Zurückspulen	Mediendatei zurückspulen
26.	Wiedergabe	Mediendatei wiedergeben
27.	Aufnahme	Aufnahme starten
28.	Stopp	Medienwiedergabe stoppen
29.	TV	TV-Modus
30.	Musik	Musikmodus

Einlegen der Fernbedienungsbatterien

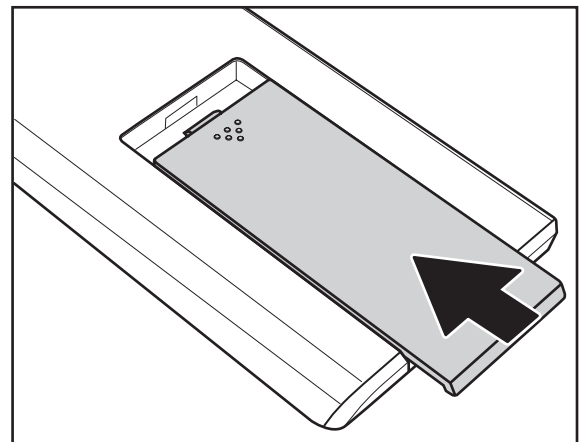
1. Öffnen Sie das Batteriefach an der Rückseite der Fernbedienung.



2. Legen Sie die Batterien unter Beachtung der Polung in das Batteriefach ein.



3. Setzen Sie den Batteriefachdeckel wieder ein.



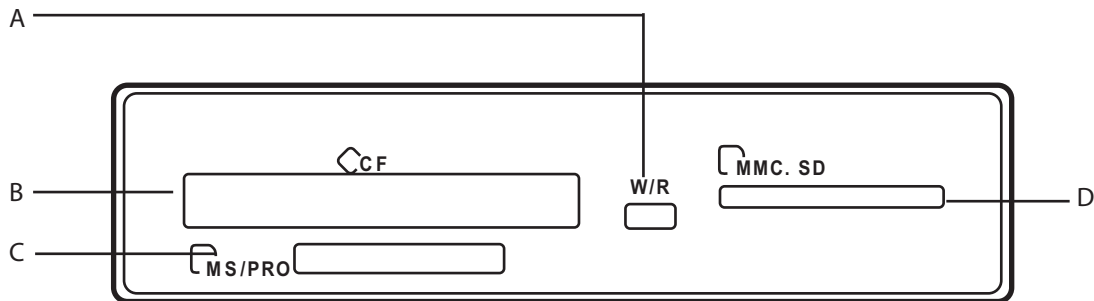
Benutzen des Speicherkartenlesers

Digitalkameras und andere digitale Bildaufzeichnungsgeräte benutzen Speicherkarten, um digitale Bilder oder Mediendateien zu speichern. Der an der Fronttafel Media Center PC eingebaute Speicherkartenleser ermöglicht Ihnen das Lesen und Beschreiben verschiedener Speicherkartenlaufwerke.

Sie können die Karten in einen oder mehrere Steckplätze einschieben und sie unabhängig voneinander benutzen. Stecken Sie immer nur eine Karte in einen Steckplatz ein. Jeder Steckplatz besitzt seinen eigenen Laufwerksbuchstaben und sein eigenes Symbol, welches im **Arbeitsplatz** angezeigt wird.

Die folgende Abbildung macht Sie mit den Speicherkartensteckplätzen bekannt.

Speicherkarteneinschubbeschreibung



Element	Name	Beschreibung
A	Aktivitäts-LED	Zeigt an, dass Daten gelesen oder geschrieben werden
B	CF-Steckplatz	Unterstützt MD, CF Typ I/II
C	MS/MS PRO-Steckplatz	Unterstützt MS/MS-Pro, MS Duo, MS Pro Duo
D	MMC/SD-Steckplatz	Unterstützt SD, Mini SD (Micro SD mit Adapter), MMC, MMC4.x, RS MMC, RSMMC4.x (MMC Mobile mit Adapter)

So benutzen Sie den Speicherkartenleser:

1. Stecken Sie die Speicherkarte vorsichtig in den entsprechenden Steckplatz ein, bis sie richtig sitzt.
2. Es öffnet sich ein Autoplay-Fenster. Wählen Sie ein Programm, um auf die auf der Speicherkarte gespeicherten Dateien zuzugreifen. Der Media Center PC öffnet ein Programm, damit Sie auf den Inhalt der Speicherkarte zugreifen können. Sie können die Dateien zu oder von einer anderen Speicherkarte kopieren.

ODER

Wenn das Autoplay-Fenster nicht automatisch erscheint, klicken Sie auf **Start** und wählen Sie **Arbeitsplatz** und doppelklicken Sie dann auf das Symbol der entsprechenden Speicherkarte, um den Inhalt anzuzeigen.

3. Wenn Sie Ihre Arbeit mit der Speicherkarte beendet haben, rechtsklicken Sie auf das Laufwerkssymbol und wählen Sie **Auswerfen**. Wenn die Datenübertragungs-LED aufhört zu blinken, können Sie die Speicherkarte aus dem Steckplatz ziehen.

Hinweis:


Wenn die Datenübertragungs-LED noch blinkt, ziehen Sie die Speicherkarte NICHT heraus, sonst kann es zu Datenverlust oder zur Beschädigung der Speicherkarte führen.



“DTS CONNECT”, “DTS INTERACTIVE” und “DTS NEO:PC” sind Handelsmarken der DTS, Inc.
“DTS” ist eine registrierte Handelsmarke der DTS, Inc.

Starten von Windows XP Media Center

Sie können von Ihrer kabellosen Tastatur/Maus und der Fernbedienung die vollständige Kontrolle über Windows XP Media Center übernehmen. Benutzen Sie das Gerät, welches für Sie am bequemsten ist. Sie können Windows XP Media Center in einem der beiden folgenden Wege starten:

- So starten Sie Windows XP Media Center vom Startmenü:
 - Klicken Sie auf **Start** und wählen Sie im Startmenü **Media Center**.
- So starten Sie Window XP Media Center mit der Fernbedienung:
 - Drücken Sie die Taste **Media Center**  auf Ihrer Fernbedienung.

My TV benutzen

Sie können mit der **My TV**-Funktion Ihre Fernseherlebnisse steuern. Benutzen Sie **My TV**, um Live-TV-Sendungen anzuschauen, TV-Sendungen aufzunehmen, zwischengespeicherte Fernsehsendungen anzuschauen, aufgenommene Sendungen anzuschauen, Programminformationen abzurufen, u.a.

Eine TV-Sendung anschauen

1. Drücken Sie an der Fernbedienung auf die Taste **TV**. Der letzte aufgerufene TV-Kanal wird angezeigt.
2. Benutzen Sie die Tasten **Kanal auf/ab**, um während des Fernsehens durch die Kanäle zu schalten.

TV-Sendungen aufnehmen

1. Benutzen Sie die Tasten **Kanal auf/ab** oder die Zifferntasten, um den Kanal auszuwählen, von dem Sie eine Sendung aufnehmen möchten.
2. Drücken Sie an der Fernbedienung die Taste **Aufnahme**, um die Aufnahme zu starten.

Aufgezeichnete TV-Sendungen abspielen

My TV zeichnet TV-Sendungen, während Sie diese anschauen, automatisch in einen Zwischenspeicher auf. Wenn Sie das Live-TV-Programm anhalten, zeichnet **My TV** die Sendung fortlaufend für weitere 30 Minuten auf, so dass Sie die Sendung von der Stelle aus weiter anschauen können, an der Sie sie gestoppt haben.

1. Drücken Sie die Taste **Pause/ Stopp**, um die Live-TV-Sendung anzuhalten oder zu beenden und die Zwischenspeicherung zu starten.
2. Drücken Sie die Taste **Wiedergabe**, um die Sendung von der Stelle weiter anzuschauen, an der Sie sie mit **Pause/Stopp** unterbrochen haben.

Hinweise:

- Der Live-TV-Empfang unterwegs kann regional entsprechend den Signaleinstellungen variieren.
- Das Copyright der auf der mitgelieferten CD enthaltenen Software ist den entsprechenden Eigentümern vorbehalten. ASUS ist nicht verantwortlich, Upgrades oder Problemlösungen anzubieten.

My Music benutzen

My Music ermöglicht es Ihnen, Musikerlebnisse vollständig zu genießen. Sie können CDs hören, Künstlerinformationen anschauen, eigene Wiedergabelisten erstellen, Musik nach Genres katalogisieren oder anhören und vieles mehr.

Musik-CDs zur Medienbibliothek hinzufügen

1. Klicken Sie auf Start und wählen Sie im Startmenü den **Windows Media Player**.
2. Legen Sie die CD ein, die Sie der Medienbibliothek des Media Players hinzufügen möchten.
3. Klicken Sie auf der linken Seite des Media Players auf **Von CD kopieren** und dann auf **Musik kopieren**.
4. Klicken Sie auf **Kopierschutz für Ihre Musik hinzufügen** und markieren Sie das Kästchen neben dem Copyright-Hinweis, um mit dem Kopieren der CD zu Ihrem Media Center PC fortzufahren.
5. Wählen Sie **Aktuelle Formateinstellungen ändern** oder **Aktuelle Formateinstellungen beibehalten** und klicken Sie dann auf **Fertig**. Die CD wird auf Ihre Festplatte kopiert.

Musik abspielen

1. Drücken Sie an der Fernbedienung die Taste **Musik**, um das **My Music**-Fenster zu öffnen.
2. Sie können die Musik, die Sie hören möchten, nach Album, Künstler, Wiedergabeliste, Titel oder Genres auswählen.

My Pictures benutzen

My Pictures macht es leicht, Ihre digitalen Fotos zu verwalten und es macht Freude, diese anzuschauen. Sie können individuell nach den Bildern suchen oder sie als Diavortrag mit Hintergrundmusik abspielen.

Bilder ansehen

1. Drücken Sie an Ihrer Fernbedienung die Taste **Foto**, um das Fenster **My Pictures** zu öffnen und die Bilderverzeichnisse anzuzeigen.
2. Benutzen Sie die 4-Wege-Navigationstasten, um ein Fotoverzeichnis auszuwählen, welches Sie anschauen möchten und drücken Sie dann auf **OK**, um das Fotoverzeichnis zu öffnen.
3. Markieren Sie das gewünschte Foto und drücken Sie die Taste **OK**.

Sie können in der Seitenleiste **Play slide show** auswählen, um die Bilder des gewählten Verzeichnisses in einer Diashow abzuspielen.

My Videos benutzen

My Videos macht es leicht, Ihre digitalen Videos anzuschauen. Sie können Ihre Videos anschauen, freigeben, sowie sie nach Namen oder Datum sortieren.

Videos anschauen

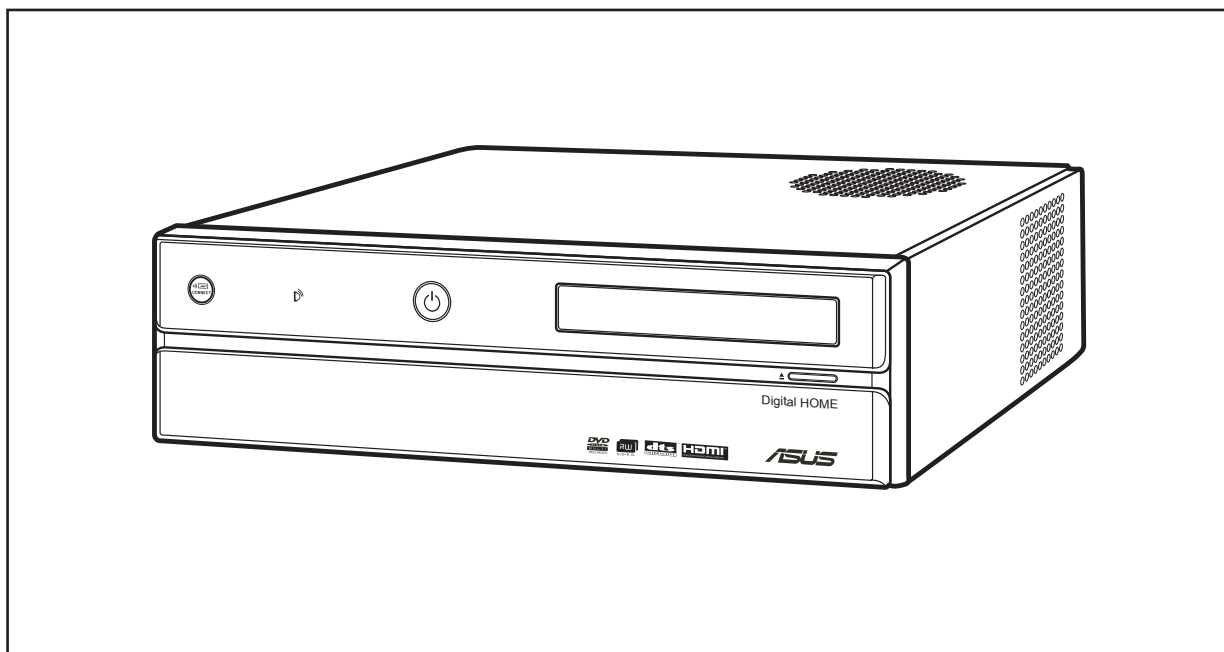
1. Drücken Sie auf Ihrer Fernbedienung die Taste **Video**, um das Fenster **My Videos** zu öffnen und die Videoverzeichnisse anzuzeigen.
2. Benutzen Sie die 4-Wege-Navigationstasten, um das Videoverzeichnis auszuwählen, welches Sie anschauen möchten und drücken Sie dann auf **OK**, um das Videoverzeichnis zu öffnen.
3. Markieren Sie das gewünschte Video und drücken Sie die Taste **OK**, um die Wiedergabe zu starten.

Technische Daten

Modell	D22	D20
Betriebssystem	Microsoft Windows XP Media Center Edition	
Intel ViiV	Intel ViiV v 1.5	
Prozessor	Intel Conroe E6300 1,86 GHz, FSB 1066/800 MHz, 2M L2 Cache	
Chipsatz	Intel Broadwater P965 + ICH8-DH	Intel Broadwater G965 + ICH8-DH
Grafikkarte	NVIDIA nForce4 7600-Serie (256MB, DDR3)	Intel GMA X3000
Speicher	1GB (DDR2 533 512MB x 2), Dual-Channel	
Festplatte	250G SATA2, NCQ, 7200min ⁻¹	160G SATA2, NCQ, 7200min ⁻¹
Opt. Laufwerk	16X DVD Dual Supermulti DL	
Tuner	Dual Channel (2A/2D/1A1D) mit Radio , PCI-E x 1	Hybrid mit Radio (Analog /Digital), PCI
Wireless	802.11b/g	
LAN	10/100/1000 Mbps	
Seicherkarten-leser	13-in-1 CF-Steckplatz: MD, CF Typ I & II MS-Steckplatz: MS, MS Pro, MS Duo, MS Pro Duo SD/MMC-Steckplatz: SD, Mini SD (Micro SD über Adapter), MMC, MMC4.x, RS MMC, RSM4.x (MMS mobile über Adapter)	
Erweiterung	1 x PCI-E x 16, 2 x PCI-E x 1, 1 x PCI	
S-ATA	SATA II x 4, eSATA x 2	
Audio	Intel High Definition Azalia, 7.1-Kanal	
Fronttafel	USB 2.0 x 2, IEEE 1394 (4-pol.) x1, eSATA port x 1, Mikrofonbuchse x 1, Kopfhörerbuchse x 1, 13-in-1 Speicherkartenleser x 1	

Modell	D22	D20
Rückseite	USB 2.0-Port x 4, IEEE 1394-Port x 1, eSATA-Port x 1,	
	Videoausgänge: HDMI x 1, Component-Video-Port (Y/Pb/Pr) x 1, DVI-Ausgang x1 (für D22), D-Sub-Ausgang x 1 (für D20), Composite-Video-Port (RGB) x 1, SCART x 1, DVI-zu-D-Sub-Adapter x 1 (für D22), HDMI-zu-DVI-Adapter x 1 (für D20)	
	Videoeingänge: Composite-Video-Port (RGB) x 1 (über Adapterkabel), S-Video-Port x 1 (über Adapterkabel), TV-Eingang x 2 (für D22), TV-Eingang x 1 (für D20)	
	Audioausgang: 7.1-Kanal Lautsprecherausgang x 1, S/PDIF x 1, Koaxialanschluss x 1, Composite-Video-Port (L/R) x 1 (über Adapterkabel)	
	Audioeingang: Composite-Video-Port (L/R) x 1 (über Adapterkabel)	
	10/100/1000 Ethernet-Port x 1	
Stromversorgung	275 W (PFC)	
Abmessungen	357 mm (B) x 95 mm (H) x 398 mm (T)	
<p>Die Spezifikationen können ohne vorherige Ankündigung geändert werden. ASUS behält sich das Recht vor, die Komponenten, die Materialien und das Zubehör auszutauschen, um den Kunden die bestmögliche Wartung zur Verfügung zu stellen.</p> <p>Überprüfen Sie den Verpackungsinhalt beim Kauf des Gerätes zusammen mit Ihren Händler.</p>		

ASUS[®]



Italiano

Asus Asteio Media Center PC Manuale Utente

Modelli D22/ D20

Servizio e Assistenza

Visitate il nostro sito multilingue: <http://www.asus.com>

Prefazione

Congratulazioni per l'acquisto di Asus Asteio Media Center PC. Leggere questo manuale attentamente e custodirlo in un posto sicuro per consultazioni future.

Informazioni sul manuale

E' stato speso un grande impegno per garantire che i contenuti presenti in questo manuale siano corretti ed aggiornati. Tuttavia, non viene garantita pienamente l'accuratezza del suo contenuto, ed il produttore si riserva il diritto di effettuare modifiche senza alcun preavviso.

Informazioni sul Copyright

Nessuna parte di questo manuale, inclusi i prodotti ed i software qui descritti, possono essere riprodotti, trasmessi, trascritti, e conservati in un sistema di recupero, o tradotti in altre lingue in altre forme o in altri termini, eccetto la documentazione conservata dall'acquirente come archivio, senza esplicito permesso scritto del costruttore.

I prodotti e i nomi delle società citati in questo manuale possono o non possono essere marchi registrati o copyright delle rispettive compagnie, e sono utilizzati solo per l'identificazione o la spiegazione e a beneficio dell'acquirente, senza l'intenzione di violazione. Tutti i marchi sono di diritto dei rispettivi proprietari.

Copyright © 2006. Tutti i diritti riservati.

Nota su CATV System Installer

Questo promemoria viene fornito per richiamare l'attenzione dell'installatore del sistema CATV alla sezione 820-93 del National Electric Code il quale fornisce le linee guida per la corretta messa a terra ed in particolare, specifica che la schermatura del cavo Coassiale dovrà essere collegata al sistema di messa a terra dell'edificio, nel punto di connessione più vicino possibile.

Informazioni sulla Sicurezza

Asus Asteio Media Center PC è stato progettato e verificato per essere conforme agli ultimi standard di sicurezza per le apparecchiature nel campo delle tecnologie informatiche. Tuttavia, per tutelare la sicurezza di questo prodotto, è importante che vengano osservate le istruzioni sulla sicurezza presenti in questa documentazione.

Installazione del sistema

- Leggere e eseguire tutte le istruzioni contenute nella documentazione prima di iniziare ad utilizzare Asteio Media Center PC.
- Non utilizzare questo prodotto vicino all'acqua o a fonti di calore come termosifoni.
- Installare il sistema su una superficie di lavoro stabile.
- Il telaio del computer è provvisto di aperture per la ventilazione. Non bloccare o coprire queste aperture. In fase di installazione assicurarsi di fornire uno spazio adeguato, almeno 15 cm (6 pollici), intorno al sistema per la ventilazione. Non inserire mai oggetti di ogni tipo all'interno delle aperture per la ventilazione.
- Se viene utilizzata una prolunga per l'alimentazione di Media Center PC, assicurarsi che l'ampereaggio totale dei prodotti collegati alla prolunga non ecceda la portata massima.
- Dato che Media Center PC è fornito con un sintonizzatore TV ed un ricevitore satellitare, assicurarsi che l'antenna o il cablaggio sia elettricamente messo a terra per fornire l'adeguata protezione contro sbalzi di tensione o scariche elettrostatiche.

Cura durante l'utilizzo

- Non camminare sul cavo di alimentazione o posizionare qualcosa su di esso.
- Non versare acqua o altri liquidi su Media Center PC.
- Quando Media Center PC è spento, viene comunque utilizzata una piccola quantità di corrente elettrica. Staccare sempre tutti i cavi di alimentazione e del modem dalle prese di corrente prima di pulire il sistema.
- Staccare la spina dalla presa di corrente e contattare il servizio tecnico se:
 - Il cavo di alimentazione o la spina sono danneggiati.
 - E' stato versato del liquido all'interno del sistema.
 - Il sistema non funziona correttamente dopo aver seguito attentamente le istruzioni.
 - Il sistema è caduto o il telaio è danneggiato.
 - Le prestazioni del sistema sono cambiate.

Indice

Prefazione	i
Informazioni sul manuale.....	i
Informazioni sul copyright.....	i
Informazioni sulla sicurezza.....	ii
Installazione del sistema	ii
Cura durante l'utilizzo	ii
Panoramica.....	1
Funzionalità	1
Installazione di Media Center PC	2
Pianificazione installazione di Media Center PC.....	2
Controllo di Media Center PC.....	3
Vista anteriore.....	3
Vista posteriore	4
Connessioni	8
Connessione del segnale TV	8
Connessione del segnale TV ad un impianto esistente	10
Utilizzo della TV come monitor	12
Cavi per il collegamento alla TV	12
Collegamento alla TV	12
Connessione ricevitore a infrarossi per dispositivo esterno	16
Installazione antenna LAN wireless	16
Installazione antenna TV/ FM digitale.....	17
Connessione di una videocamera digitale	17
Connessione di altri dispositivi	18
Configurazione Altoparlanti e Opzioni Audio	19
Configurazione altoparlanti.....	20
Connessione altoparlanti audio	21
Connessione di Media Center PC ad un sistema audio	22
Configurazione impostazioni uscita audio.....	23
Configurazione uscita audio con Wizard SoundMax Audio	23
Configurazione uscita audio con Windows XP Media Center	24
Utilizzo hardware del PC	25
Utilizzo della tastiera senza fili	25
Utilizzo tasti speciali della tastiera	25

Inserimento batterie della tastiera	27
Utilizzo del telecomando	28
Inserimento batterie del telecomando	30
Utilizzo del lettore di schede di memoria	31
Guida all'inserimento della scheda di memoria	31

Avvio di Windows XP Media Center..... 33

Utilizzo di Televisione	33
Visione di un programma TV	33
Registrazione di programmi TV	33
Riproduzione di registrazioni TV	33
Utilizzo di Musica	34
Aggiunta di CD musicali al Catalogo Multimediale.....	34
Ascolto della musica	34
Utilizzo di Immagini	34
Visualizzazione delle immagini	34
Utilizzo di Video.....	35
Visione di video	35

Specifiche 35

Panoramica

Asus Asteio Media Center PC fornisce potenti capacità di calcolo e di intrattenimento. E' possibile eseguire Windows XP Media Center mentre vengono utilizzati altri programmi o godersi a schermo intero Windows XP Media Center senza utilizzare altri programmi. Utilizzare il telecomando di Media Center nello stesso modo in cui vengono utilizzati gli altri telecomandi dei vari sistemi di intrattenimento domestico. E' possibile utilizzare il telecomando e Media Center per guardare e registrare programmi TV, riprodurre video e musica, e visualizzare fotografie.

Utilizzare tastiera e mouse senza fili per eseguire Windows XP Media Center e altri programmi.

Funzionalità

- Intrattenimento Audio Video (AV)
 - Visualizzazione e registrazione di programmi TV in diretta
 - Riproduzione DVD e video
 - Ascolto di file musicali
 - Visualizzazione e modifica di immagini
- Collegamenti
 - Collegamento di dispositivi senza fili
 - Video conferenza e funzione di chiamate in conferenza (sono richiesti una webcam e il software Skype per questa funzionalità.)
 - Data streaming per la condivisione dei vari canali
- Supporto per il controllo remoto a lunga distanza di tastiere senza fili (10 metri)
- Lettore di schede per trasferimento dati di tipo 13-in-1 (MD, CF tipo I & II, MS, MS-Pro, MS-Duo, MS- Pro Duo, SD, Mini SD, MMC, MMC4.x, RS MMC, RSMMC4.x)

Installazione di Media Center PC

Pianificazione installazione di Media Center PC

Prima di iniziare ad installare Media Center PC, verificare che queste connessioni siano disponibili nel luogo scelto per l'installazione.

- Connessione ad **Internet**

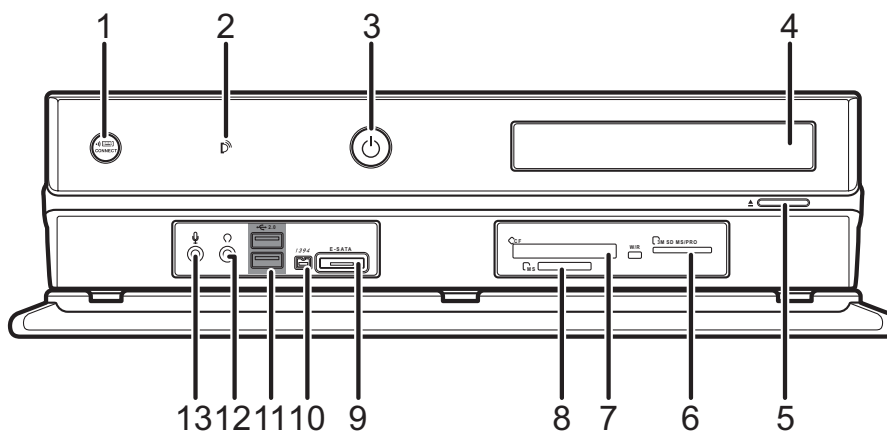
Il computer richiede una connessione ad Internet per aggiornare la Guida Elettronica dei Programmi (EPG) e per accedere ad Internet. Assicurarsi di avere a disposizione una connessione ad Internet di tipo connessione con modem o a banda larga prima di utilizzare il software Windows XP Media Center. Contattare il fornitore del servizio Internet per maggiori informazioni su come impostare la connessione ad Internet.

- Sorgente **Video**

Assicurarsi di avere accesso ad una sorgente video prima di avviare Media Center PC. Media Center PC riceve il segnale video da un cavo coassiale o S-video. La sorgente video di solito è fornita da un'antenna, da una connessione TV via cavo diretta, un decoder, o un ricevitore satellitare. I decoder e i ricevitori satellitari sono anche chiamati set-top boxes.

Controllo di Media center PC

Vista anteriore

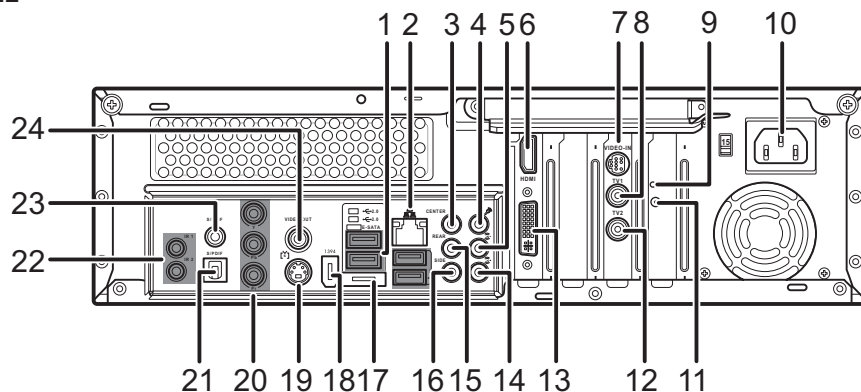


Num.	Componente	Descrizione
1	ID ricezione collegamento	Utilizzato per il collegamento di tastiere senza fili.
2	Ricevitore Infrarossi	Riceve i segnali Infrarossi (IR) dal telecomando.
3	Pulsante Alimentazione	Premere per accendere o spegnere il PC.
4	Masterizzatore CD/DVD	Utilizzare questo lettore per ascoltare i CD audio, installare giochi e programmi, guardare DVD, e registrare grandi file su CD e DVD registrabili.
5	Pulsante espul. CD/DVD	Premere per accedere al cassetto del CD/DVD.
6	Lettore schede SD/MMC Pro	Trasferisce file da un dispositivo digitale a Media Center PC tramite una scheda di memoria rimovibile.
7	Lettore schede CompactFlash / MicroDrive	Trasferisce file da un dispositivo digitale a Media Center PC tramite una scheda di memoria rimovibile.
8	Lettore schede MS	Trasferisce file da un dispositivo digitale a Media Center PC tramite una scheda di memoria rimovibile.
9	Porta E-SATA	Collegare un dispositivo esterno in questa porta.
10	Porta IEEE 1394	Collegare un dispositivo IEEE 1394, come: una videocamera digitale in questa porta IEEE 1394 a 6 pin.
11	2 porte USB	Collegare dispositivi USB (come: stampanti USB, fotocamera, scanner, o tastiera) in queste porte.
12	Connettore Cuffie	Collegare altoparlanti amplificati o cuffie in questo connettore.
13	Connettore Microfono	Collegare un microfono esterno in questo connettore per registrare o trasmettere file vocali.

Italiano

Vista Posteriore

Asteio D22



Num.	Componente	Descrizione
1.	4 porte USB	Collegare dispositivi USB (come: stampanti USB, fotocamera, scanner, o tastiera) in queste porte.
2.	Connettore Ethernet	Collegare un cavo di rete Ethernet 10/100/1000.
3.	Connettore Uscita Centrale Audio Analogica (Line Out)	Collegare un altoparlante centrale o subwoofer amplificato o un amplificatore audio esterno in questo connettore.
4.	Connettore Microfono	Collegare un microfono esterno in questo connettore per registrare o trasmettere file vocali.
5.	Connettore Uscita Audio	Uscita in Linea per altoparlanti frontali.
6.	HDMI	Collegare un dispositivo HDMI (High Definition Multimedia Interface) in questa porta.
7.	Ingresso Video	Collegare un cavo coassiale da una sorgente video.
8.	TV 1	Collegare un cavo di segnale TV in questa porta.
9.	Indicatore LED	Indica che la scheda LAN wireless è in funzione.
10.	Connettore Alimentazione	Collegare il cavo di alimentazione in questa porta.
11.	Connettore Antenna WIFI	Collegare un'antenna LAN wireless in questa porta.
12.	TV 2	Collegare un cavo di segnale TV in questa porta.
13.	Porta DVI	Collegare un'uscita video digitale per TV/Monitor.
14.	Connettore Ingresso Audio	Collegare un dispositivo audio analogico come un lettore CD in questo connettore per l'ingresso nel PC.
15.	Connettore altoparlanti post.	Collegare gli altoparlanti posteriori (conf. multicanale).
16.	Connettore altoparlanti laterali	Collegare gli altoparlanti laterali (sistema 8 altoparlanti)
17.	Porta E-SATA	Collegare un dispositivo esterno in questa porta.

Num.	Componente	Descrizione
18.	Porta IEEE 1394	Collegare un dispositivo IEEE 1394, come: videocamera digitale in questa porta IEEE 1394 a 6-pin.
19.	Porta Uscita S-video	Collegare un dispositivo S-video, come: cavo, satellite, o antenna, in questa porta.
20.	Porta Video Composito	Collegare una cavo video composito in questa porta per connettere un VCR, set-top box, o lettore DVD.
21.	Porta S/PDIF (ottica)	Collegare un cavo audio digitale ottico (Toslink) in questa porta per il trasferimento digitale dell'audio.
22.	2 porte IR	Collegare il cavi dei telecomandi IR in questa porta per inviare segnali dal telecomando ad un set-top box per cambiare canale.
23.	Porta S/PDIF (RCA)	Collegare un cavo RCA in questa porta per audio digitale
24.	Porta Uscita Video	Collegare un cavo RCA in questa porta per collegare il TV.

Nota:

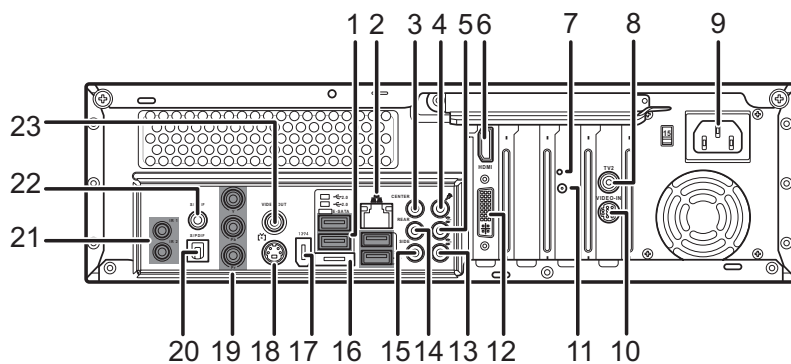
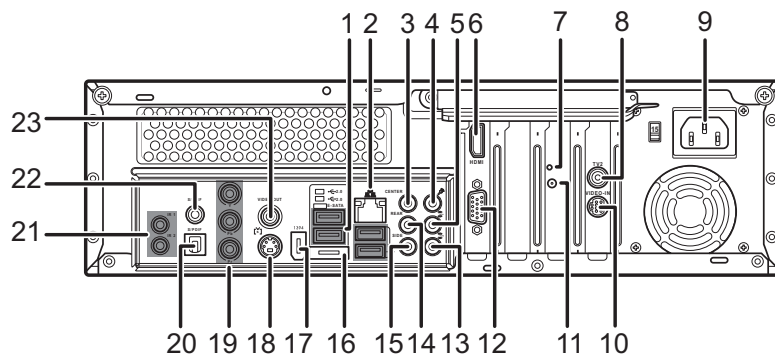
Utilizzare il software TVConfig per selezionare il segnale di ingresso per TV1 e TV2.

Configurare le impostazioni TV utilizzando la funzione Asus TVConfig presente in Media Center PC. Aprire il programma Asus TVConfig facendo clic sull'icona presente sul desktop o da Programmi nel menu Avvio. Selezionare il dispositivo dal menu a tendina e verificare le impostazioni per TV Analogica, FM, e canali DVDT.

**Nota:**

La funzione TVConfig è disponibile solo per D22.

Asteio D20



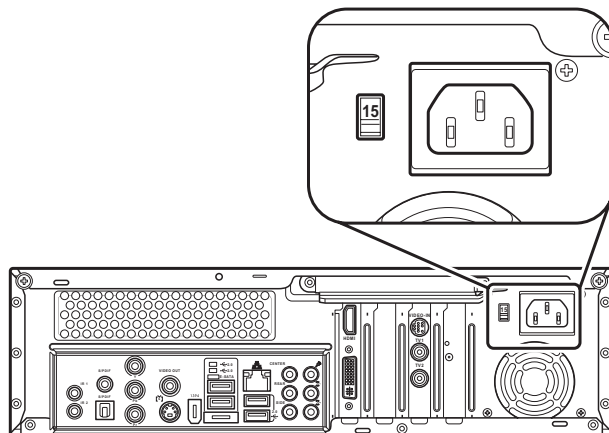
Italiano

Num.	Componente	Descrizione
1.	4 porte USB	Collegare dispositivi USB (come: stampanti USB, fotocamera, scanner, o tastiera) in queste porte.
2.	Connettore Ethernet	Collegare un cavo di rete Ethernet10/100/1000.
3.	Connettore Uscita Centrale Audio Analogica (Line Out)	Collegare un altoparlante centrale o subwoofer amplificato o un amplificatore audio esterno in questo connettore.
4.	Connettore Microfono	Collegare un microfono esterno in questo connettore per registrare o trasmettere file vocali.
5.	Connettore Uscita Audio	Uscita in Linea per altoparlanti frontali.
6.	HDMI	Collegare un dispositivo HDMI (High Definition Multimedia Interface) in questa porta.
7.	Indicatore LED	Indica che la scheda LAN wireless è in funzione.
8.	TV	Collegare un cavo di segnale TV in questa porta.
9.	Connettore Alimentazione	Collegare il cavo di alimentazione in questa porta.

Num.	Componente	Descrizione
10.	Ingresso Video	Collegare un cavo coassiale da una sorgente video.
11.	Connettore Antenna WIFI	Collegare un'antenna LAN wireless in questa porta.
12.	Porta VGA/DVI	Collegare un connettore uscita video digitale per TV/ Monitor.
13.	Connettore Ingresso Audio	Collegare un dispositivo audio analogico come un lettore CD in questo connettore per l'ingresso nel PC
14.	Connettore altoparlanti post.	Collegare gli altoparlanti posteriori (conf. multicanale).
15.	Connettore altoparlanti laterali	Collegare gli altoparlanti laterali (sistema 8 altoparlanti)
16.	Porta E-SATA	Collegare un dispositivo esterno in questa porta.
17.	Porta IEEE 1394	Collegare un dispositivo IEEE 1394, come: videocamera digitale in questa porta IEEE 1394 a 6-pin.
18.	Porta Uscita S-video	Collegare un dispositivo S-video, come: cavo, satellite, o antenna, in questa porta.
19.	Porta Video Composito	Collegare una cavo video composito in questa porta per connettere un VCR, set-top box, o lettore DVD.
20.	Porta S/PDIF (ottica)	Collegare un cavo audio digitale ottico (Toslink) in questa porta per il trasferimento digitale dell'audio.
21.	2 porte IR	Collegare i cavi dei telecomandi IR in questa porta per inviare segnali dal telecomando ad un set-top box per cambiare canale.
22.	Porta S/PDIF (RCA)	Collegare un cavo RCA in questa porta per audio digitale
23.	Porta Uscita Video	Collegare un cavo RCA in questa porta per collegare il TV.

Note:

- I connettori possono differire a seconda del modello acquistato.
- Assicurarsi di utilizzare il voltaggio corretto come raccomandato dal costruttore prima di accendere Media Center PC. Verificare l'etichetta del voltaggio sulla sinistra del connettore di alimentazione.



Connessioni

Connessione del segnale TV

Media Center PC è predisposto con connettori per ingressi TV Video-In o coassiali. Selezionare il connettore supportato dalla sorgente video:

• Video-In

Il segnale video che fornisce la migliore qualità video per Media Center PC. Se viene utilizzato Video-In, è inoltre necessario collegare la sorgente audio utilizzando spine RCA.

• Coassiale (TV)

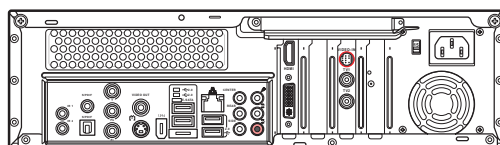
I segnali video e audio sono trasportati insieme su di un unico cavo. Il cavo coassiale è il sistema più semplice per collegare una sorgente video come un'antenna o un cavo a Media Center PC.

Nota:

Nell'ambiente MCE, se il dispositivo è configurato per ricevere i segnali TV digitali, verranno disabilitate le funzioni di TV e radio FM analogiche e viceversa.

Connessione del segnale TV tramite S-video

1. Collegare il cavo Video-In in dotazione da una sorgente video come: set-top box via cavo, ricevitore satellitare, o altro dispositivo video, al cavo adattatore Video In fornito in dotazione. Successivamente, collegarlo alla porta Video-In presente sul retro di Media Center PC.
2. Collegare un cavo RCA dai connettori Uscita Audio sul dispositivo video al connettore Ingresso Linea (rosso) presente sul retro di Media Center PC.

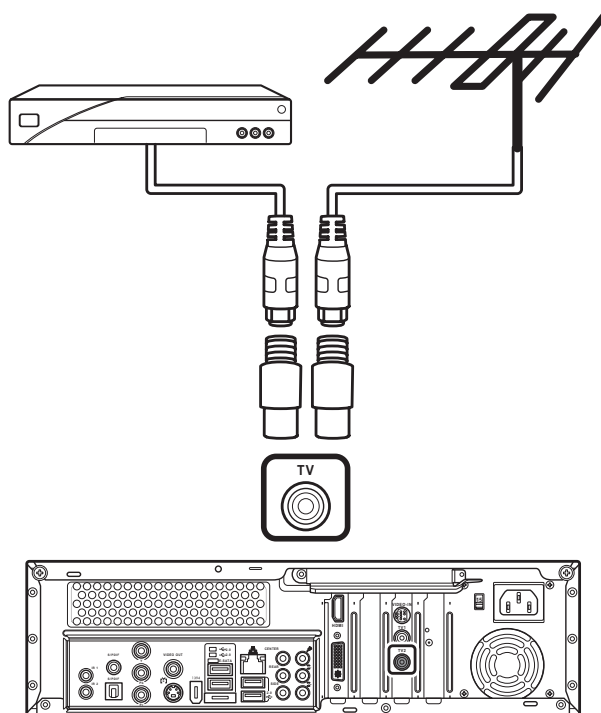


Nota:

E' necessario utilizzare l'adattatore RCA per collegare i cavi RCA.

Connessione del segnale TV / TV Coassiale

Collegare un cavo coassiale (non incluso) da una sorgente video, come: connessione diretta via cavo, un cavo set-top box, un ricevitore satellitare, od un'antenna, al connettore TV2 presente sul retro di Media Center PC.



Configurare le impostazioni TV utilizzando la funzione Asus TVConfig presente in Media Center PC. Aprire il programma Asus TVConfig facendo clic sull'icona presente sul desktop o da Programmi nel menu Avvio. Selezionare il dispositivo dal menu a tendina e verificare le impostazioni per TV Analogica, FM, e canali DVDT.



Nota:

La funzione TVConfig è disponibile solo con D22.

Connessione del segnale TV ad un impianto esistente

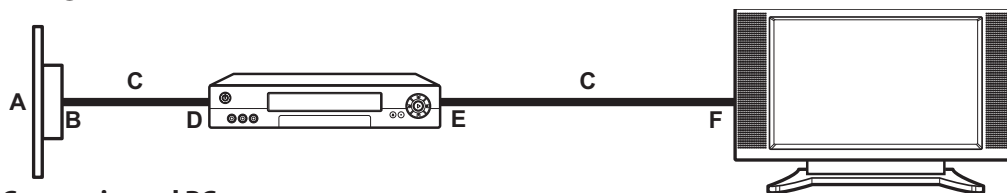
Questa sezione descrive come collegare Media Center PC ad un impianto già esistente di segnale TV.

Da presa a muro a VCR a TV tramite cavo coassiale

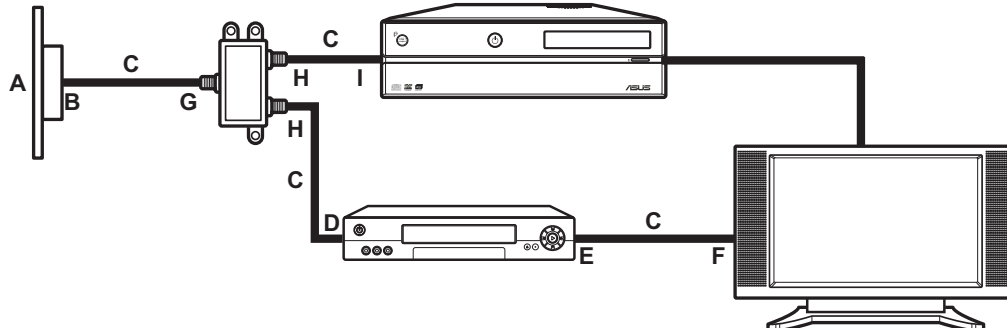
Rimuovere il cavo coassiale all'ingresso del VCR, e collegarlo all'ingresso di uno splitter di segnale per cavi coassiali (non incluso). Collegare i due cavi coassiali all'uscita dello splitter.

Collegare uno di questi cavi all'ingresso del VCR e l'altro al connettore TV presente sul retro di Media Center PC.

Configurazione Esistente



Connessione al PC



- A Muro
- B Presa
- C Cavo coassiale
- D Ingresso VCR
- E Uscita VCR
- F Ingresso TV
- G Ingresso Splitter
- H Uscita Splitter
- I Ingresso TV sul retro di Media Center PC

Nota:

Gli splitter non sono inclusi.

Da presa a muro a TV via cavo /ricevitore satellitare a VCR a TV con cavo coassiale

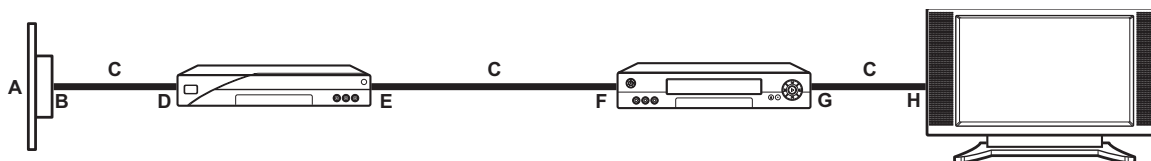
Rimuovere il cavo coassiale all'ingresso del VCR, e collegarlo all'ingresso di uno splitter di segnale per cavi coassiali (non incluso). Collegare i due cavi coassiali alle uscite dello splitter.

Collegare uno di questi cavi all'ingresso del VCR e l'altro al connettore TV presente sul retro di Media Center PC.

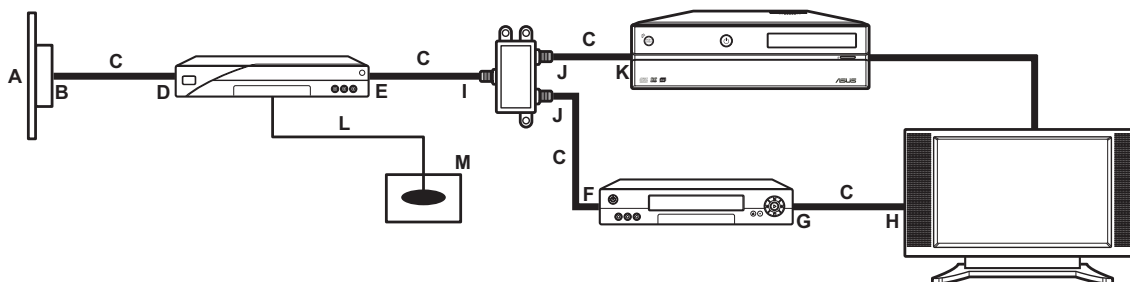
Nota:

Collegare il set-top box al VCR utilizzando il cavo coassiale.

Configurazione Esistente



Connessione a PC



- A Muro
- B Presa
- C Cavo coassiale
- D Ingresso Set-top box/Satellite
- E Uscita Set-top box/Satellite
- F Ingresso VCR
- G Uscita VCR
- H Ingresso TV
- I Ingresso Splitter
- J Uscita Splitter
- K Connettore ingresso TV sul retro di Media Center PC
- L Cavo sensore telecomando
- M Sensore del telecomando

Nota:

Gli splitter non sono inclusi.

Utilizzo della TV come monitor

La funzionalità di uscita TV del PC consente di collegarlo ad uno schermo TV per visualizzare l'immagine del PC sulla TV. Grazie alla funzione uscita TV, è possibile visualizzare l'immagine del PC, guardare un film in DVD, o giocare.

Cavi per il collegamento alla TV

Per collegare Media Center PC ad una TV, è necessario utilizzare un cavo video ed un cavo audio. Il tipo di cavo video necessario per effettuare il collegamento dipende dal modello della TV.

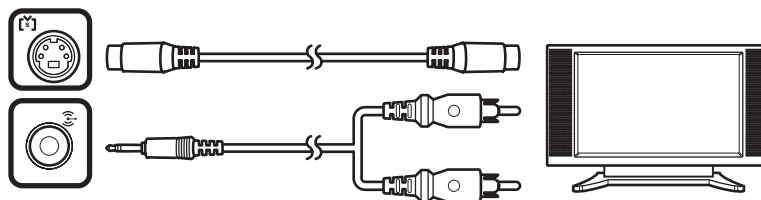
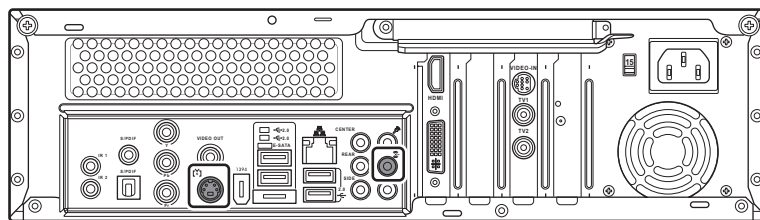
E' possibile inoltre collegare Media Center PC alla TV in uno dei seguenti modi:

- S-video con audio stereo
- Video a componenti (YPbPr) con audio stereo
- Video con audio stereo
- DVI con audio stereo
- HDMI
- SCART
- Convertitore DVI a VGA con audio stereo

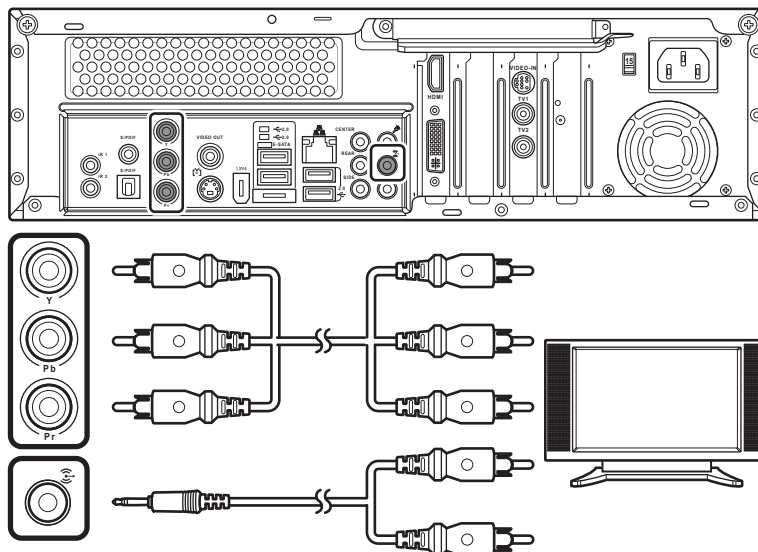
Collegamento alla TV

1. Spegner Media Center PC.
2. Collegare il cavo TV utilizzando una delle seguenti modalità, a seconda dei connettori presenti sulla TV.

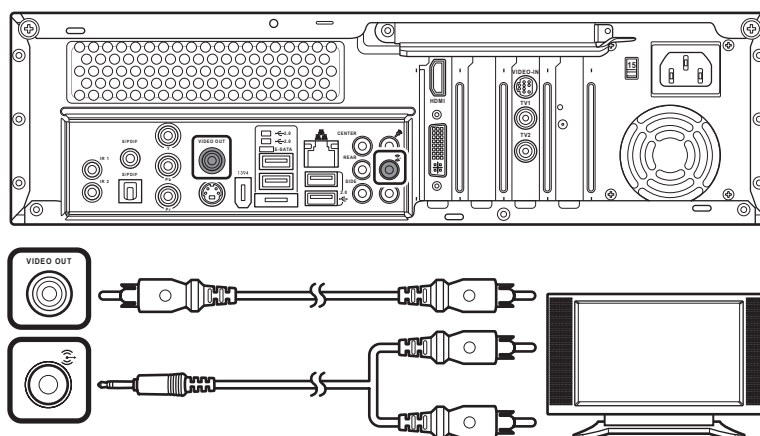
Se la TV possiede un **connettore S-video**, collegare un cavo S-video dal connettore **Ingresso - video** presente sulla TV al connettore **Uscita S-video** presente sul retro di Media Center PC.



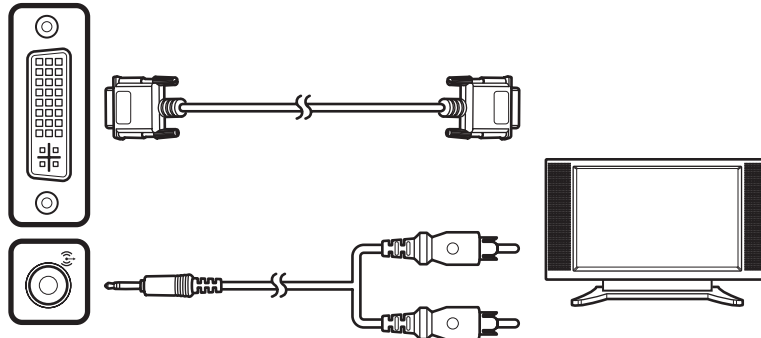
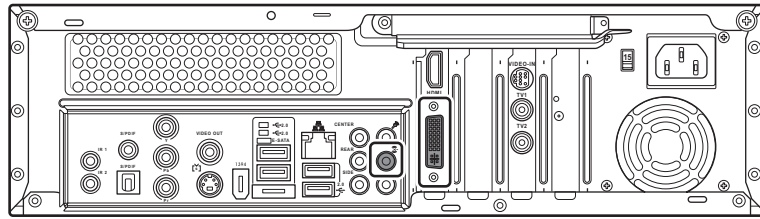
Se la TV possiede un connettore **video a componenti**, collegare un cavo video a componenti al connettore **Video a componenti** della TV e al connettore video presente sul retro di Media Center PC.



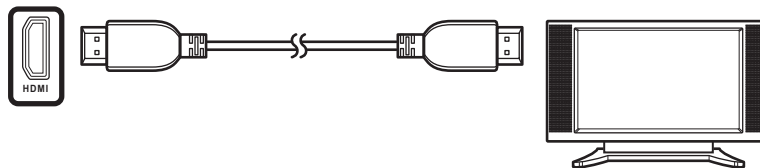
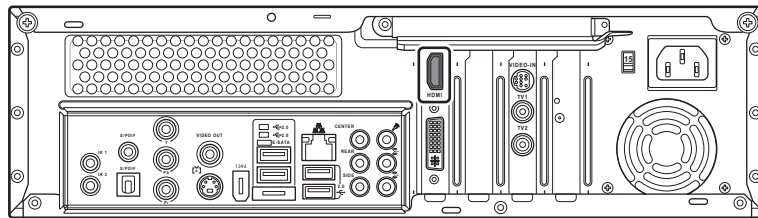
Se la TV possiede un connettore **ingresso video**, collegare un cavo video al connettore **Ingresso Video** della TV e al connettore **Uscita Video** presente sul retro di Media Center PC.



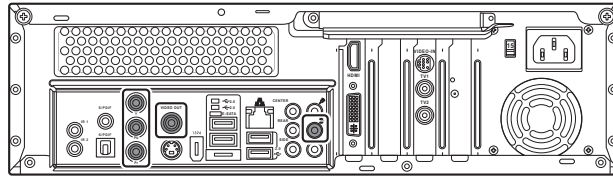
Se la TV possiede un connettore **DVI**, collegare un cavo DVI al connettore DVI della TV e al connettore **DVI** presente sul retro di Media Center PC.



Se la TV possiede un connettore **HDMI**, collegare il cavo HDMI al connettore HDMI della TV e al connettore **HDMI** presente sul retro di Media Center PC.

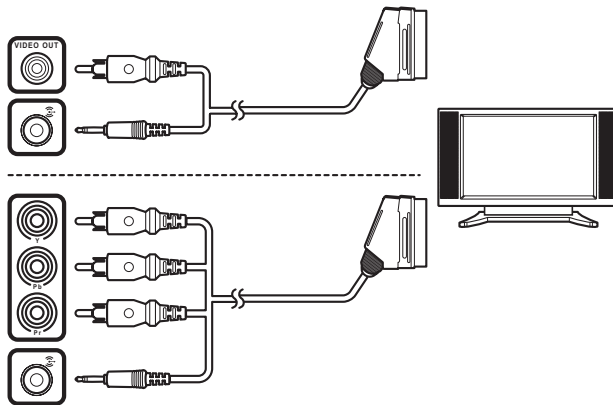


Se la TV possiede un connettore **SCART**, collegare un cavo SCART/video a componenti al connettore **SCART** della TV ed ai connettori **Uscita Video** ed **Uscita Linea** (verde chiaro) presenti sul retro di Media Center PC. E' possibile inoltre collegare Media Center PC ad una TV utilizzando un cavo SCART/

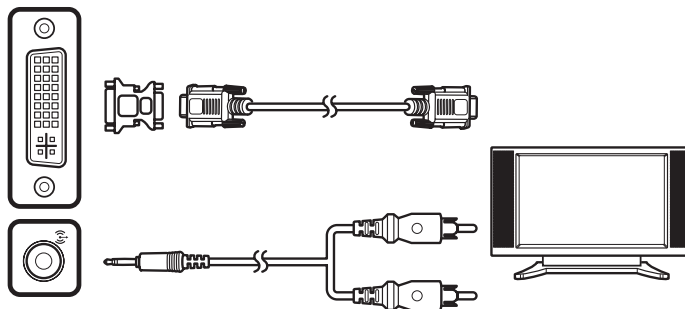
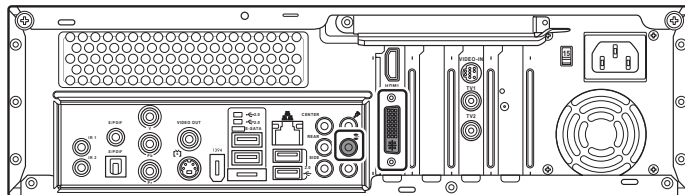


Nota:

I cavi illustrati sono di solo riferimento e possono cambiare in base al modello.



Se la TV possiede un connettore **VGA**, prima connettere un adattatore **VGA a DVI** sul retro di Media Center PC (solo per Asteio D22), e poi collegare il PC alla TV tramite il cavo VGA.



3. Accendere la TV e selezionare la sorgente video **Ingresso TV** o sorgente **PC** a seconda del modello della TV.

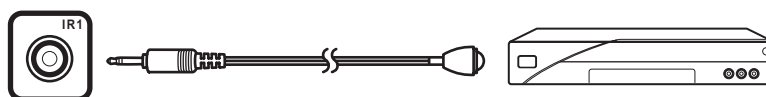
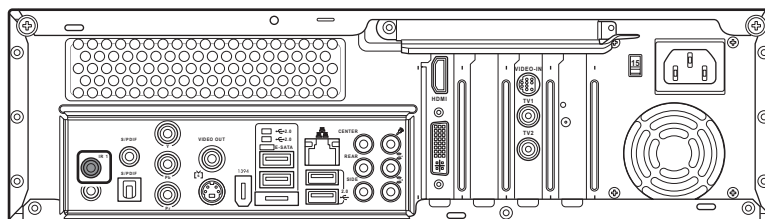
Nota:

Le aperture sul telaio del computer servono per la ventilazione. Non bloccarle o coprirle.

Connessione ricevitore infrarossi per dispositivo esterno

Per collegare un dispositivo esterno come: set-top box o un monitor, effettuare le seguenti operazioni:

1. Collegare un terminale del cavo IR alla porta IR presente sul retro di Media Center PC.
2. Collegare l'altro terminale del cavo IR al set-top box come indicato.



Nota:

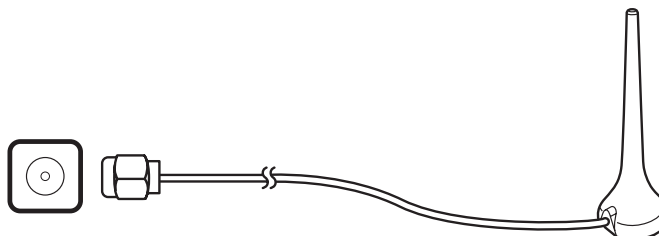
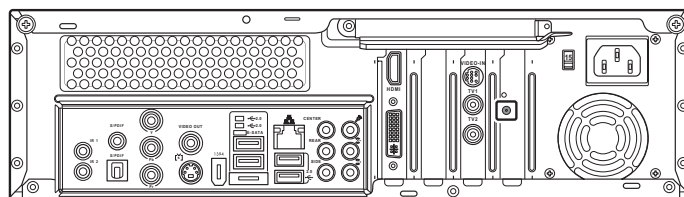
Ci sono due porte IR disponibili per la connessione.

Italiano

Installazione antenna LAN wireless

Per collegare un'antenna esterna alla scheda LAN wireless, effettuare le seguenti operazioni:

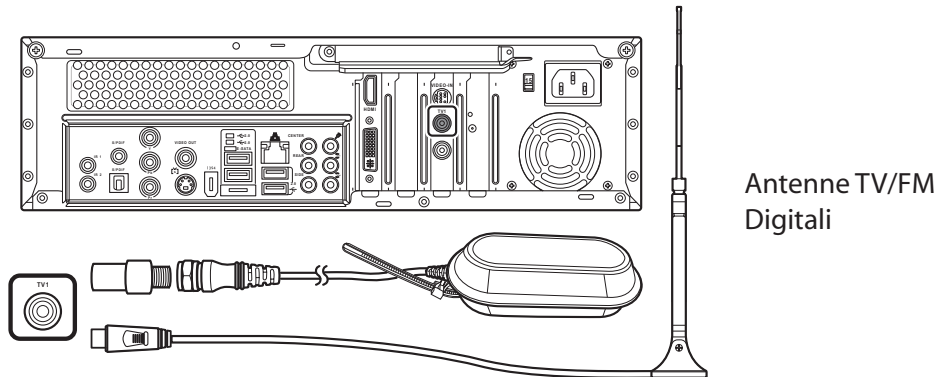
1. Fissare bene l'antenna esterna in dotazione al connettore della LAN wireless presente sul retro di Media Center PC.
2. L'indicatore LED inizierà a lampeggiare indicando la ricezione di segnali WLAN.



Installazione antenna TV/ FM digitale

Per collegare l'antenna TV /FM digitale, effettuare le seguenti operazioni:

1. Fissare il convertitore NTSC a PAL all'antenna TV /FM digitale in dotazione.
2. Collegare l'antenna TV /FM digitale al connettore TV presente sul retro di Media Center PC.



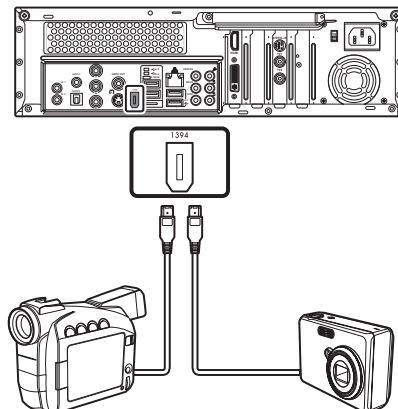
Note:

- Le antenne mostrate sono solo indicative, esse possono essere di vario tipo.
- La ricezione del segnale e la qualità delle antenne TV/FM Digitali possono variare a seconda della zona.

Connessione di una videocamera digitale

Per collegare una fotocamera od una videocamera digitale , effettuare le seguenti operazioni:







1. Accendere Media Center PC, ed attendere l'avvio di Windows XP.
2. Collegare il cavo di trasferimento della videocamera nella videocamera e dentro una porta USB libera od in una porta IEEE1394 (FireWire) di Media Center PC.
3. Apparirà il messaggio Nuovo **Hardware Trovato** . Seguire le istruzioni sullo schermo per effettuare le impostazioni necessarie per il nuovo dispositivo trovato. Quando l'installazione è completata, apparirà un messaggio che indicherà che la camera è pronta per essere utilizzata.



Configurazione altoparlanti e opzioni audio

Asus Media Center PC è in grado di supportare molte opzioni audio, connessioni sonore, e configurazioni per gli altoparlanti. E' possibile configurare il PC per utilizzare due altoparlanti stereo oppure un sistema audio multicanale. Collegare il sistema di altoparlanti al PC, e poi configurare il software audio per l'uscita sonora.

Asus Media Center PC include sei connettori audio sul retro. E' possibile collegare al PC fino ad un sistema audio a 7.1 canali.

Connettore Audio	Descrizione
 SIDE	Linea LATI (grigio) collega gli altoparlanti laterali in una configurazione audio a otto canali (7.1).
 CENTER	Linea CENTRALE (arancio) collega un altoparlante centrale/subwoofer in una configurazione audio multicanale.
 REAR	Linea POSTERIORE (nero) collega gli altoparlanti posteriori in una configurazione audio multicanale.
	Uscita in Linea (verde chiaro) collega gli altoparlanti frontali.
	Ingresso in Linea (rosso) collega un dispositivo audio analogico come: lettore CD all'ingresso del PC.
	Mic (blu chiaro) collega un microfono.

Configurazione altoparlanti

E' possibile impostare Media Center PC per le seguenti configurazioni supportate:

Nome	Sistema Altoparlanti
Cuffie	Nessuno.
2 (stereo)	Altoparlante sinistro, altoparlante destro.
2.1	Altoparlante sinistro, altoparlante destro, ed un subwoofer.
4.1	Due altoparlanti frontali, due altoparlanti posteriori, ed un subwoofer.
6/ 5.1	Due altoparlanti frontali, due altoparlanti posteriori, un altoparlante centrale, ed un subwoofer.
8/ 7.1	Due altoparlanti frontali, due altoparlanti posteriori, due altoparlanti laterali, un altoparlante centrale, ed un subwoofer.
Sistema Home audio	Sistema audio stereo oppure home theater con altoparlanti passivi.

Tipi di altoparlanti

Il PC supporta solo sistemi di altoparlanti attivi (amplificati). Un altoparlante attivo deve avere la propria alimentazione. Un sistema audio di tipo "home" non richiede altoparlanti attivi poiché è il ricevitore che fornisce l'amplificazione.

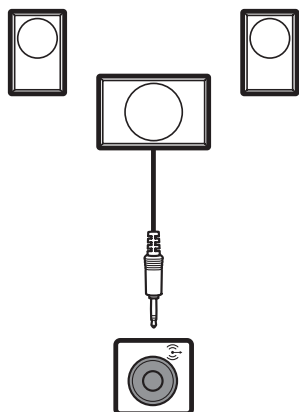
Un impianto con altoparlanti stereo è composto da due canali sinistro e destro. Un sistema ad altoparlanti multicanale è composto dai canali frontali destro e sinistro e dai posteriori destro e sinistro, e può includere un subwoofer ed un altoparlante centrale. Gli altoparlanti laterali sono inclusi in molti sistemi audio avanzati. Il subwoofer consente una maggiore diffusione dei toni bassi.

“.1” indica un subwoofer. Per esempio, 7.1 canali si riferisce alla modalità a otto altoparlanti ed utilizza due altoparlanti frontali (sinistro-destro), due altoparlanti posteriori (sinistro-destro) due altoparlanti laterali (sinistro-destro), un altoparlante centrale, ed un subwoofer.

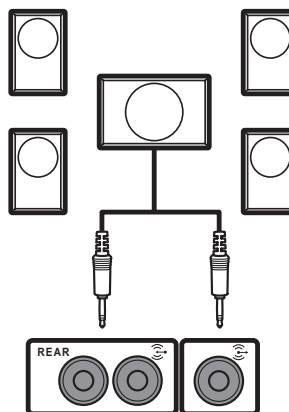
Connessione altoparlanti audio

Far riferimento alle immagini qui sotto per collegare gli altoparlanti a Media Center PC in base al sistema audio. Dopo aver collegato gli altoparlanti al PC, configurare le impostazioni audio per l'uscita sonora di Media Center PC.

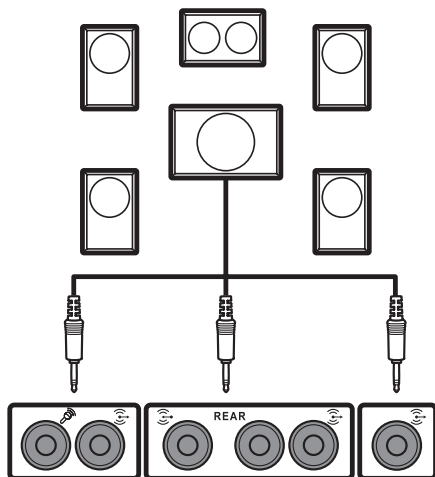
2 Altoparlanti



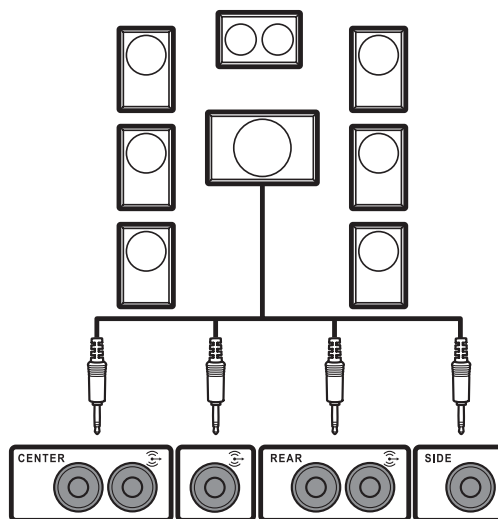
4 Altoparlanti



5 Altoparlanti e un subwoofer



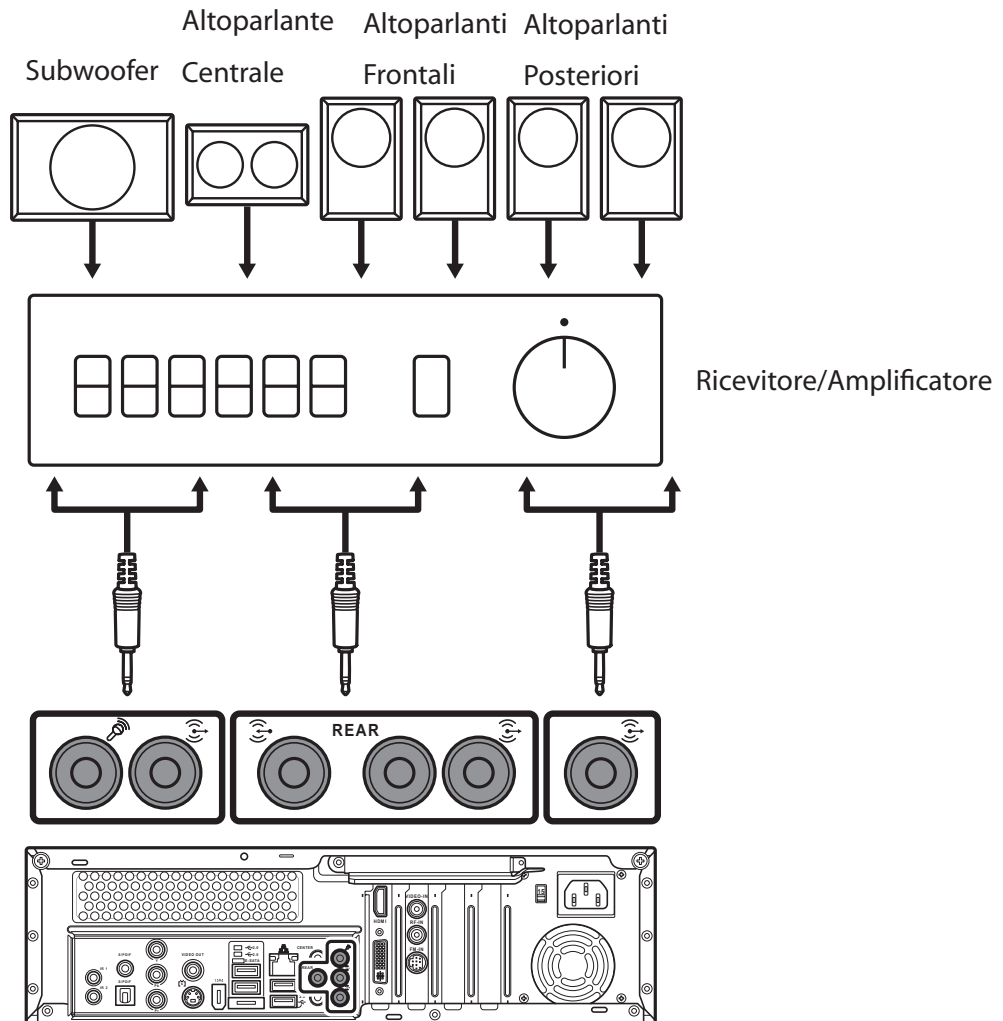
7 Altoparlanti e un subwoofer



Connessione di Media Center PC ad un sistema audio

E' possibile collegare Media Center PC allo stereo o al ricevitore/amplificatore home theater multicanale utilizzando gli altoparlanti già esistenti.

La maggior parte dei ricevitori/amplificatori possiedono dei connettori di ingresso RCA. E' possibile che siano richiesti degli adattatori con cavi ad Y per collegare il ricevitore/amplificatore a Media Center PC (opzionali).



Configurazione impostazioni uscita audio


E' possibile impostare l'uscita audio degli altoparlanti tramite il software SoundMax o con il software Media Center installato su Media Center PC.

Configurazione uscita audio con Wizard SoundMax Audio

Dopo aver collegato gli altoparlanti a Media Center PC, seguire i passaggi qui sotto per configurare le impostazioni audio:







1. Fare clic su **Start dalla barra delle attività** per avviare il menu Start di Windows.
2. Fare clic su **Programmi**.
3. Selezionare **SoundMax** per aprire il programma. Apparirà la finestra SoundMax con una delle maschere di controllo.



4. Fare clic sull'icona Audio Wizard  presente sulla barra delle attività per configurare le impostazioni per l'uscita audio del sistema di altoparlanti installato.
5. Selezionare l'opzione che descrive il numero di altoparlanti presenti sul sistema dal menu a tendina.
6. Apparirà la finestra di regolazione del volume. Regolare il volume per ogni altoparlante muovendo i cursori o regolare il volume di tutti gli altoparlanti contemporaneamente con il controllo volume principale presente al centro della maschera.
7. Fare clic su Avanti. Apparirà la maschera di regolazione del volume del microfono. Fare clic su Test **Microfono** per controllare il microfono e fare clic su Avanti per procedere.
8. Fare clic su **Fine per uscire da Wizard** SoundMax Audio.

Utilizzo della barra di attività di SoundMax

La finestra SoundMax comprende le seguenti funzionalità:

1.  Wizard Audio: Fare clic per avviare la maschera Wizard Audio e configurare le impostazioni per l'uscita audio.
2.  Impostazioni predefinite: Fare clic per ripristinare tutte le impostazioni predefinite.
3.  Impostazioni Preferenze: Fare clic per aprire la finestra delle impostazioni preferite e per regolarle secondo le proprie esigenze.
4.  Controllo volume: Fare clic per mostrare/nascondere la maschera di controllo del volume.
5.  Impostazioni Registrazione: Fare clic per mostrare/nascondere la maschera delle impostazione della registrazione.
6.  Guida: Fare clic per visualizzare la finestra.

Configurazione uscita audio con Windows XP Media Center

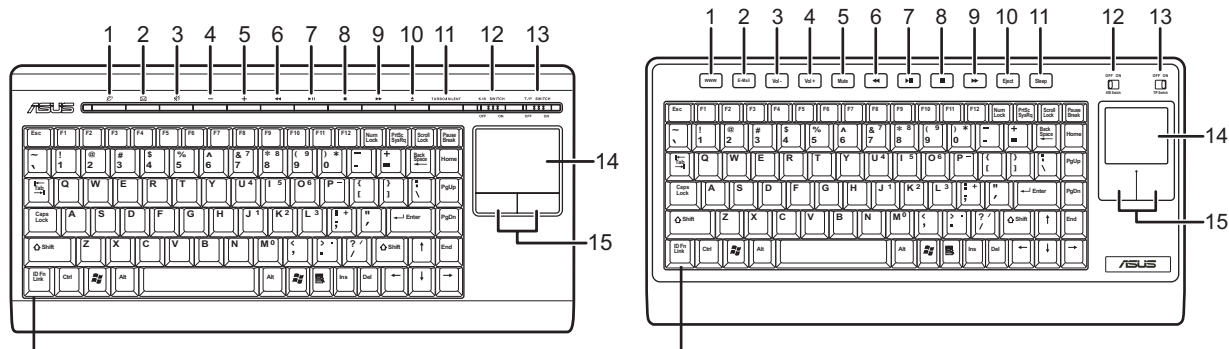
1. Fare clic su **Start** sulla barra delle attività per avviare il menu Start di Windows.
2. Fare clic su Tutti i Programmi.
3. Selezionare **Windows XP Media Center** per avviare il programma. Apparirà la finestra di Windows XP Media Center.
4. Selezionare Impostazioni dal menu principale.
5. Selezionare Configurazione Altoparlanti e fare clic su **Avanti**.
6. Selezionare il numero di altoparlanti del vostro sistema e fare clic su Avanti.
7. Verificare l'uscita audio degli altoparlanti. Selezionare il segnale di test e fare clic su Avanti per continuare.
8. Fare clic su Fine per uscire.

Utilizzo hardware del PC

Utilizzo della tastiera senza fili

Media Center PC include una tastiera senza fili con integrato un ricevitore/trasmittitore. E' inoltre presente un indicatore luminoso nell'angolo in alto a destra della tastiera per indicare l'attività.

Utilizzo tasti speciali della tastiera



Pulsante collegamento

Pulsante collegamento

Fare riferimento alla tabella qui sotto per familiarizzare con le funzioni dei tasti speciali.

	Funzione	Descrizione
1.	Internet	Premere per aprire il browser Internet.
2.	E-mail	Premere per aprire il programma e-mail.
3.	Muto	Premere per disabilitare l'audio.
4.	Volume -	Premere per alzare il volume.
5.	Volume +	Premere per abbassare il volume.
6.	Riavv. (Rewind)	Premere per riavvolgere un file multimediale.
7.	Play/Pausa	Premere per riprodurre o bloccare un file multimediale.
8.	Stop	Premere per interrompere un file multimediale.
9.	Avanzam. (Forward)	Premere per l'avanzamento veloce di un file multimediale.
10.	Espulsione	Premere per espellere il cassetto del disco.
11.	Turbo/Silenzioso	Premere per passare dalla modalità Turbo / Silenzioso e viceversa
12.	Pulsante Alim. Tastiera	Accende/spegne la tastiera.
13.	Pulsante Touch pad	Abilita/disabilita la funzione touch pad.
14.	Touch pad	Consente di muovere il mouse trascinando il dito sulla superficie.
15.	Tasti sin./destra	Funzionano come i tasti sin./destra di un normale mouse.

Nota:

Le tastiere mostrate qui sopra sono utilizzate solo per scopi illustrativi. Le tastiere in dotazione possono differire .

Note:

- Se Media Center PC non riconosce la tastiera senza fili, premere il pulsante **Connetti** presente nell'angolo in alto a sinistra del pannello anteriore e il pulsante di connessione presente sul lato in basso a sinistra della tastiera.

- Media Center PC può operare in due modalità:

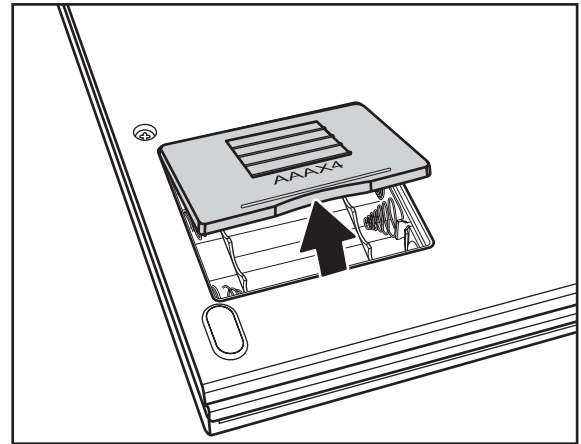
Modalità **Silenzioso**: In modalità Silenzioso, il sistema riduce automaticamente la velocità di trasferimento dati del CD-ROM e la velocità della CPU e GPU. Permette di utilizzare il sistema in un ambiente silenzioso. Questa è la modalità predefinita.

Modalità **Turbo**: In modalità Turbo, il sistema utilizzerà la velocità maggiore per il CD-ROM, CPU e GPU per raggiungere le migliori prestazioni possibili. Questa modalità è ideale per attività che richiedono alte prestazioni, come: videogiochi o processi multimediali complessi.

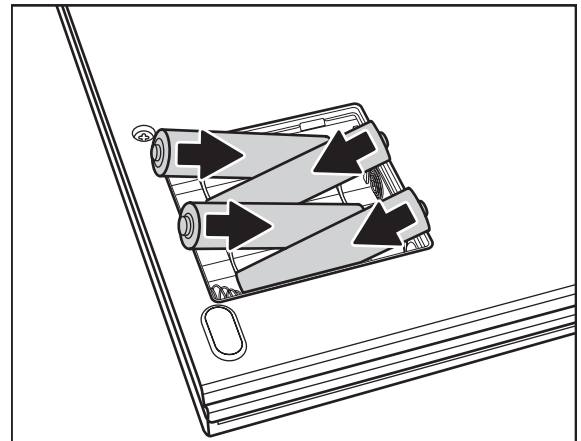
- La tastiera senza fili è equipaggiata con una modalità di risparmio energetico per ridurre il consumo. Quando la tastiera senza fili non viene utilizzata per più di tre minuti, verrà attivata la modalità di risparmio energetico. Premere un tasto qualsiasi (ad esclusione del touch pad e dei tasti sinistro/destro) per tornare al funzionamento normale. (In modalità risparmio energetico, il consumo della batteria è pari all' 1.88% rispetto del funzionamento normale.)

Inserimento batterie della tastiera

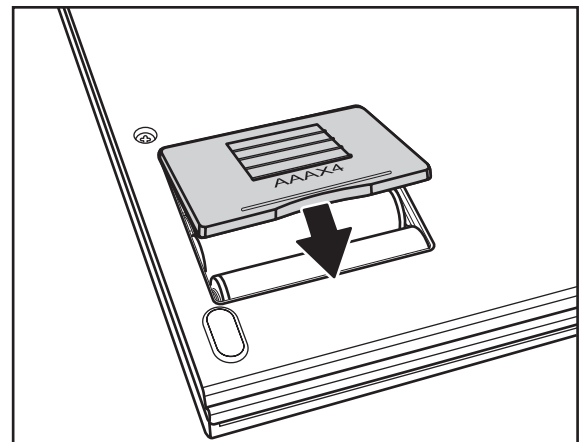
1. Aprire lo scomparto delle batterie posto sotto la tastiera.



2. Inserire le batterie facendo attenzione alle polarità indicate all'interno dello scomparto.



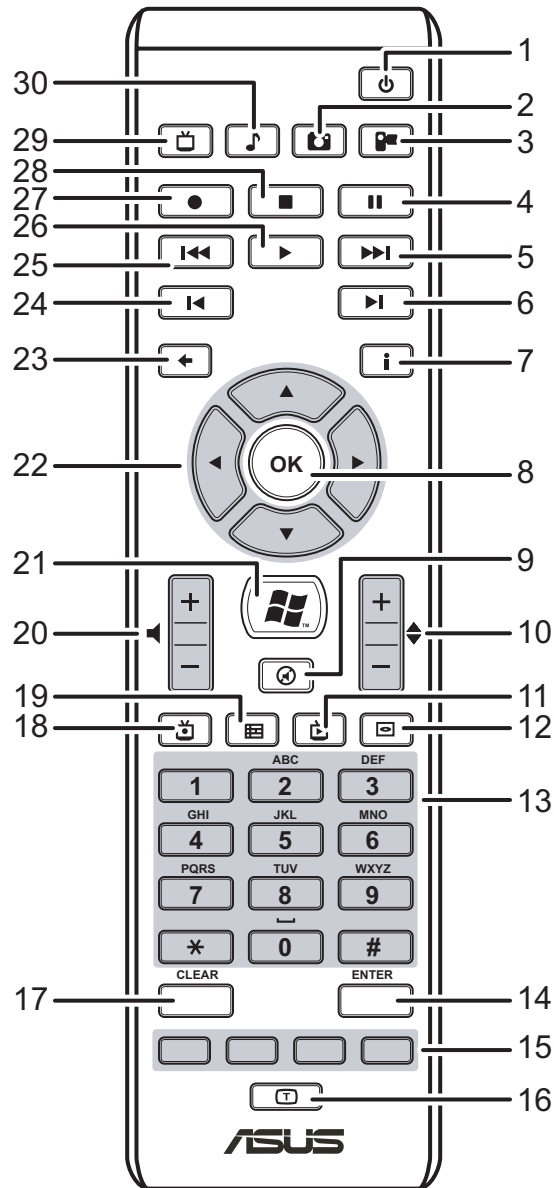
3. Richiudere il coperchio.



Utilizzo del telecomando

Usare il telecomando per aprire il programma Windows XP Media Center, e utilizzarlo per vedere la TV, registrare programmi televisivi, vedere programmi precedentemente registrati o altri file multimediali come musica, video o film.

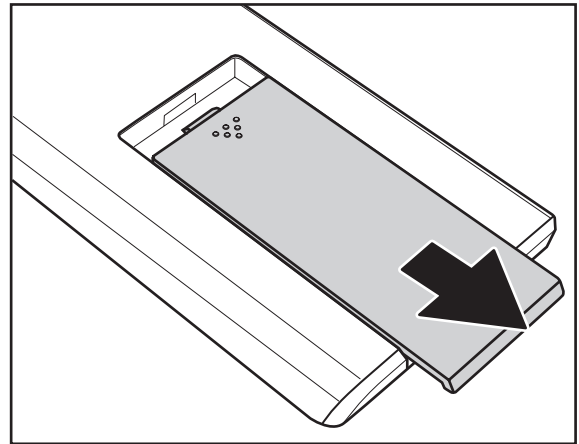
Consultare la tabella sottostante per familiarizzare con le funzioni dei tasti del telecomando.



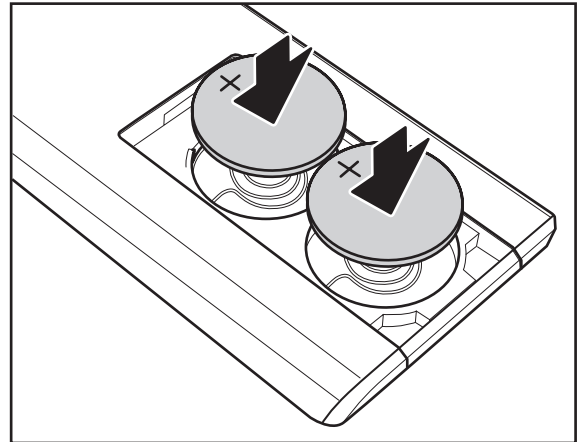
Num.	Nome	Descrizione
1.	Alim.	Premere per spegnere schermo e altoparlanti. (Modalità Assente)
2.	Foto	Premere per inserire la modalità Foto.
3.	Video	Premere per inserire la modalità Video.
4.	Pausa	Premere per mettere in pausa un file multimediale durante la riproduzione.
5.	Avanti-veloce	Premere per scorrere velocemente un file multimediale.
6.	Traccia succ.	Premere per andare alla traccia successiva.
7.	Informazioni	Premere per visualizzare la maschera sulle informazioni del programma.
8.	Tasto OK	Premere per confermare un'azione.
9.	Muto	Premere per disabilitare l'audio.
10.	Canale avanti/indietro	Premere per cambiare i canali durante la visione della TV.
11.	Tasto Live TV	Premere per guardare i programmi in diretta.
12.	Tasto DVD	Premere per passare al DVD.
13.	Tasti numerici	Premere per inserire direttamente un numero di canale.
14.	Invio	Premere per confermare una selezione.
15.	Tasti televideo	Disponibile solo per modelli europei.
16.	Tasto Shift	Per passare da caratteri numerici ad alfabetici e viceversa.
17.	Azzera	Premere per azzerare le informazioni inserite.
18.	Registrazione TV	Premere per iniziare la registrazione del programma TV corrente.
19.	EPG (Electronic Program Guide)	Premere per visualizzare la maschera sulla guida al programma elettronica.
20.	Volume +/-	Premere per alzare/abbassare l'audio.
21.	Windows Media Center	Premere per aprire il programma Media Center.
22.	Tasti navigazione Quattro-Vie	Premere per scorrere i menu a video.
23.	Ritorno	Premere per tornare alla pagina precedente.
24.	Traccia prec.	Premere per tornare alla traccia precedente.
25.	Indietro	Premere per riavvolgere indietro un file multimediale.
26.	Play	Premere per riprodurre un file multimediale.
27.	Registrazione	Premere per iniziare la registrazione.
28.	Stop	Premere per interrompere un file multimediale.
29.	TV	Premere per inserire la modalità TV.
30.	Musica	Premere per inserire la modalità Musica.

Inserimento batterie del telecomando

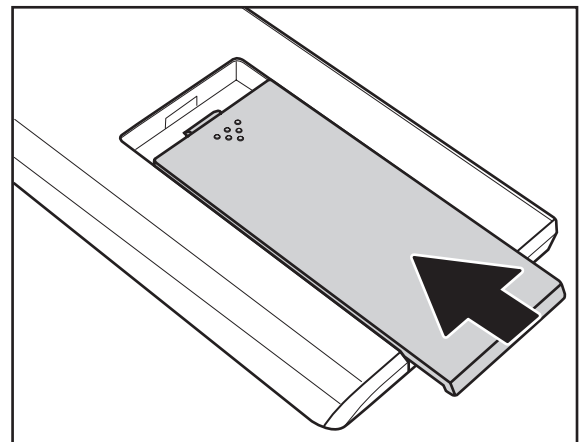
1. Aprire lo scomparto delle batterie posto sotto il telecomando.



2. Inserire le batterie facendo attenzione alle polarità indicate all'interno dello scomparto.



3. Richiudere il coperchio.



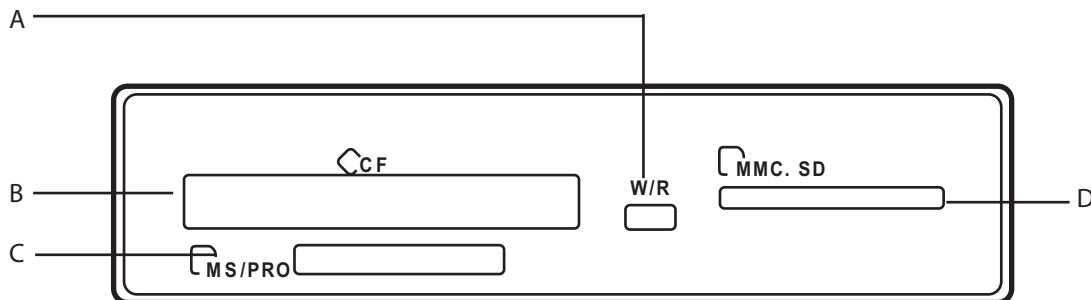
Utilizzo del lettore di schede di memoria

Fotocamere e altri dispositivi per immagini digitali utilizzano schede di memoria per memorizzare immagini digitali o file multimediali. Il lettore di schede di memoria integrato sul pannello anteriore di Media Center PC permette di leggere e scrivere su vari tipi di schede.

E' possibile inserire più schede in più alloggiamenti e utilizzarli singolarmente. Inserire nell'alloggiamento una sola scheda alla volta. Ogni scheda ha una sua lettera e icona di riferimento visualizzabili dalla maschera Risorse del **Computer**.

Osservare l'illustrazione qui sotto per familiarizzare con gli alloggiamenti.

Guida all'inserimento della scheda di



Art.	Nome	Descrizione
A	LED attività	Indica la lettura o scrittura dei dati
B	Alloggiamento CF	Supporta MD, CF Tipo I/II
C	Allog. MS/MS PRO	Supporta MS/MS-Pro, MS duo, MS pro duo
D	Allogg. MMC/SD	Supporta SD, mini SD (Micro SD tramite adattatore), MMC, MMC4.x, RS MMC, RSMMC4.x (MMC del cellulare tramite adattatore)

Per utilizzare il lettore di schede di memoria, procedere come segue:

1. Inserire delicatamente la scheda di memoria nell'alloggiamento appropriato finché non si blocca.
2. Apparirà una finestra Esecuzione Automatica. Selezionare un programma per accedere ai file salvati sulla scheda. Media Center PC apre un programma che permette di accedere al contenuto della scheda e copiare i file dalla scheda o viceversa.

OPPURE

Se la finestra Esecuzione Automatica non si apre automaticamente, è possibile far clic su **Start**, e selezionare **Risorse del Computer**, poi fare doppio clic sull'icona della scheda per visualizzarne il contenuto.

3. Una volta terminato di lavorare sulla scheda, fare clic con il tasto destro sull'icona del drive e selezionare **Espulsione**. Quando la spia di attività finisce di lampeggiare, rimuovere la scheda di memoria dall'alloggiamento.

Nota:

Se la spia di attività sta ancora lampeggiando, non rimuovere la scheda di memoria. Così facendo si possono perdere dati o danneggiare la scheda stessa.




“DTS CONNECT”, “DTS INTERACTIVE” e “DTS NEO:PC” sono marchi della DTS, Inc. “DTS” è un marchio registrato della DTS, Inc.

Avvio di Windows XP Media Center

È possibile avere il controllo totale di Windows XP Media Center dalla tastiera/mouse senza fili, e dal telecomando. Utilizzare quello più congeniale.

Avviare Windows XP Media Center in uno dei seguenti due modi:

- Dal menu Start di Windows XP Media Center:
 - Fare clic su **Start**, e scegliere **Media Center** dal menu.
- Con il telecomando:
 - Premere il tasto **Media Center** .

Utilizzo di Televisione

Con la funzione **Televisione** è possibile sperimentare una visione completa della TV. Utilizzare **Televisione** per guardare programmi in diretta, registrare programmi televisivi, guardare la TV in differita (buffer), guardare programmi registrati, vedere le informazioni sui programmi, e altro ancora.

Visione di un programma TV

1. Dal telecomando, premere il tasto **TV**. Apparirà l'ultimo canale televisivo visualizzato.
2. Utilizzare i tasti +/- per cambiare canale durante la visione.

Registrazione di programmi TV

1. Utilizzare **Canale +/-** o i tasti numerici per selezionare il programma che si desidera registrare.
2. Premere il tasto **Registrazione** del telecomando per iniziare la registrazione.

Riproduzione di registrazioni TV

Televisione registra automaticamente i programmi televisivi in un buffer di memoria mentre si guarda la TV. Se si mette in pausa un programma in diretta, **Televisione** continua a registrarlo per 30 minuti permettendo così di rivederlo dal punto in cui lo si era lasciato.

1. Premere il tasto **Pausa/ Stop** per mettere in pausa/interrompere il programma in diretta e avviare la il buffer di memoria.
2. Premere il tasto **Play** per riprendere a guardare la TV da dove si era lasciato prima di premere il tasto **Pausa/Stop**.

Note:

- La funzione di accesso far and live TV di Broadcast On-the-Go varia da regione a regione in base alle rispettive impostazioni sul segnale.
- Il copyright del software sul CD fornito appartiene ai rispettivi proprietari. Asus non è responsabile per la fornitura di aggiornamenti o risoluzione dei problemi software.

Utilizzo di Musica

Musica permette di godere di un'esperienza musicale eccezionale. Si possono ascoltare CD, avere informazioni sui personaggi, creare la propria playlist musicale, suddividere in categorie e ascoltare la musica per genere, e molto altro ancora.

Aggiunta di CD musicali al Catalogo Multimediale

1. Fare clic su **Start** e selezionare **Windows Media Player** dal menu.
2. Inserire il CD che si desidera aggiungere a Catalogo Multimediale Media Player.
3. Sul lato sinistro di Media Player, fare clic su **Copia da CD**, e poi su **Copia Musica**.
4. Fare clic su **Aggiungi protezione copia alla tua musica**, e poi spuntare la casella vicino al copyright per continuare a copiare il CD su Media Center PC.
5. Selezionare **Cambia le informazioni sul formato corrente** o **Mantieni le informazioni sul formato corrente**, e poi fare clic su **Fine**. Il CD viene copiato sul disco fisso.

Ascolto della musica

1. Premere il tasto **Musica** del telecomando per aprire la maschera **Musica**.
2. E' possibile selezionare la musica che si desidera ascoltare per Album, Autore, Playlist, Canzoni o Genere.

Utilizzo di Immagini

Immagini rende semplice e divertente guardare e organizzare le proprie foto digitali. E' possibile sfogliare le immagini singolarmente o sistemarle in una presentazione con una musica di sottofondo.

Visualizzazione delle immagini

1. Premere il tasto **Immagini** del telecomando per aprire la finestra **Immagini** e far apparire le cartelle di immagini.
2. Usare i tasti di navigazione a quattro vie per selezionare la cartella di foto desiderata e premere **OK** per aprirla.
3. Evidenziare l'immagine da visualizzare e premere il tasto **OK**.

E' possibile selezionare **Presentazione** Foto sulla barra a lato per vedere le immagini della cartella selezionata come fosse una presentazione.

Utilizzo di Video

Video rende semplice e divertente la visione di video digitali. E' possibile guardare e condividere i propri video ed organizzarli per nome o per data.

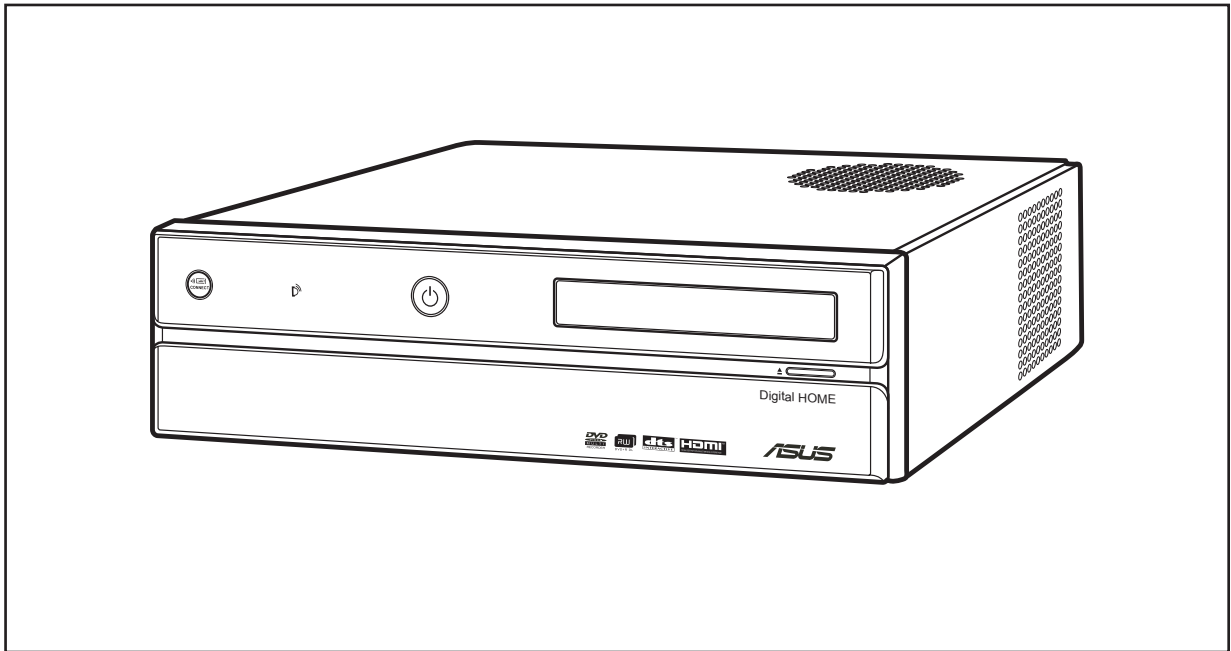
Visione di video

1. Premere il tasto **Video** del telecomando per aprire la finestra **Video e far apparire le cartelle**.
2. Utilizzare i tasti di navigazione a quattro vie per selezionare la cartella video desiderata e premere **OK** per aprirla.
3. Evidenziare il video che si desidera guardare e premere il tasto **OK** per iniziare.

Specifiche

Modello	D22	D20
SO	Microsoft Windows XP Media Center Edition	
Inter ViiV	Inter ViiV v 1.5	
CPU	Intel Conroe E6300 1.86 GHz, FSB 1066/800 MHz, 2M L2 Cache	
Chipset	Intel Broadwater P965 + ICH18-DH	Intel Broadwater G965 + ICH18-DH
Grafica	NVIDIA nForce4 7600 series (256M, DDR3)	Intel GMA X3000
Memoria	1GB (DDR2 533 512M x 2), Dual channel	
HDD	250G SATA2, NCQ, 7200rpm	160G SATA2, NCQ, 7200rpm
Ottica	16X DVD Dual Supermulti DL	
Sintonizzatore	Doppio Canale (2A/2D/1A1D) con Radio , PCI-E x 1	Hybrid con Radio (Analog./Digitale), PCI
Wireless	802.11b/g	
LAN	10/100/1000 Mbps	
Lettore Schede	13-in-1 Allogg.CF: MD, CF tipo I & II Allogg.MSt: MS, MS pro, MS duo, MS pro duo Allogg.SD/MMC: SD, Mini SD (Micro SD tramite adattatore), MMC, MMC4.x, RS MMC, RSMC4.x (MMS cellulare tramite adattatore)	
Allog.Espansioni	1 x PCI-E x 16, 2 x PCI-E x 1, 1 x PCI	
S-ATA	SATA II x 4, eSATA x 2	
Audio	Intel High Definition Azalia, 7.1 Canali	
Pannello anteriore	USB 2.0 x 2, IEEE 1394 (4-pin) x1, porta SATA x 1, connettore Microfono x 1, Connettore Cuffie x 1, Lettore Schede13-in-1 x 1	

Modello	D22	D20
Pannello Posteriore	Porte USB 2.0 x 4, Porta IEEE 1394 x 1, Porta eSATA x 1,	
	Porte Uscita Video: HDMI x 1, Porta Video a Componenti (Y/Pb/Pr) x 1, Uscita DVI x1 (per D22) , Uscita D-Sub x 1 (per D20), Porta video Composito (RGB) x 1, SCART x 1, Adattatore DVI a D-Sub x 1 (per D22), Adattatore HDMI a DVI x 1 (per D20)	
	Porte Ingresso Video: porta video Composito (RGB) x 1 (con cavo adattatore), Porta S-video x 1 (con cavo adattatore), Ingresso TV x 2 (per D22), Ingresso TVx 1 (per D20)	
	Uscita Audio: uscita a 7.1 canali x 1, porta S/PDIF x 1, connettore Coassiale x 1, porta video Composito (L/R) x 1 (con cavo adattatore)	
	Ingresso Audio: porta video Composito (L/R) x 1 (con cavo adattatore)	
	Porta Ethernet 10/100/1000 x 1	
Alimentatore	275 W (PFC)	
Dimensioni	357 mm (L) x 95 mm (A) x 398 mm (P)	
Le specifiche sono soggette a cambiamenti senza preavviso. Asus si riserva il diritto di sostituire i componenti e gli accessori per fornire agli utilizzatori la maggior funzionalità possibile.		
Verificare con il rivenditore il contenuto dell'imballaggio subito dopo l'acquisto del prodotto.		



ASUS Asteio Media Center PC Manual del Usuario

Modelo D22/ D20

Español

Servicio y Soporte

Visite nuestro sitio web multi-idioma <http://www.asus.com>

Español

Prefacio

Felicidades por la adquisición del ASUS Asteio Media Center PC. Lea este manual con cuidado y colóquelo en un lugar seguro para futuras referencias.

Sobre este manual

Todos los esfuerzos han sido realizados para asegurar que los contenidos de este manual sean correctos y estén actualizados. Sin embargo, no es posible hacer garantías sobre la fidelidad de los contenidos, y el fabricante se reserva el derecho de efectuar cambios sin previo aviso.

Información de Copyright

Ninguna parte de este manual, incluyendo los productos o el software descrito en él, podrá ser reproducido, transmitido, almacenado en sistemas de recuperación, o traducido a ningún idioma en forma o medio alguno, exceptuando documentación almacenada por el comprador para realizar copias de seguridad, sin expreso consentimiento previo y por escrito del fabricante.

Los productos y nombres corporativos que aparecen en este manual pueden (o no) ser marcas registradas o copyright de sus respectivas compañías, y son utilizadas aquí solo por motivos de identificación o explicativos y en beneficio del dueño, sin intención de infringir dichas normas.

Copyright © 2006. Todos los derechos reservados.

Nota para instaladores de sistemas de televisión por cable (CATV)

Este recordatorio se incluye para llamar la atención sobre los instaladores de sistemas CATV sobre la sección 820-93 del Código National Eléctrico, que proporciona guías para hacer una toma de tierra correctamente, y en particular para cables coaxiales, que deben ser conectados al sistema de toma de tierra del edificio, tan cercano a la entrada de cables como sea posible.

Información de seguridad

Su unidad ASUS Asteio Media Center PC ha sido diseñada y probada para cumplir con los últimos estándares de seguridad para equipos informáticos. Sin embargo, para asegurar un uso seguro de este producto, es importante tener en cuenta las instrucciones de seguridad indicadas en esta documentación sean observadas.

Preparando su sistema

- Lea y siga todas las instrucciones de la documentación antes de usar su PC Asteio Media Center.
- No utilice este producto en cerca del agua u otros líquidos, cerca de o fuentes de calor tales como radiadores.
- Coloque el sistema en una superficie de trabajo estable.
- Las aperturas en el PC son necesarias para una correcta ventilación. No las bloquee ni las cubra. Asegúrese de proporcionar un espacio adecuado, de al menos 15 cm (6 pulgadas) alrededor del sistema para ventilación. No inserte objetos de ningún tipo en las aperturas de ventilación de su unidad.
- Si utiliza un conector con múltiples tomas de corriente, asegúrese de que el amperaje total de todos los productos conectados no excede la tasa de amperaje permitida por el conector.
- El Media Center PC incluye un sintonizador de televisión, cable, o un receptor de señales de satélite. Asegúrese de que la antena o el sistema de cables esta conectado a conectores con toma de tierra para proporcionar protección contra subidas en el voltaje o acumulaciones de cargas estáticas.

Cuidados durante el uso

- No pise el cable de alimentación o permita que ningún objeto descansa sobre el mismo.
- No permita que el Media Center PC entre en contacto con agua ni otros líquidos.
- Tenga en cuenta que cuando el Media Center PC esté apagado, una pequeña corriente eléctrica seguirá fluyendo a través del PC. Por ello, antes de limpiar el sistema asegúrese de desconectar todos los cables de alimentación, módem y redes.
- Desconecte los cables de alimentación del sistema y solicite ayuda de personal autorizado si:
 - El cable de alimentación o conector ha sido dañado.
 - Se ha vertido liquido en el sistema.
 - El sistema no funciona adecuadamente aún cuando ha seguido las instrucciones de operación.
 - El PC ha sufrido una caída o daño físico.
 - El rendimiento del sistema baja de forma alarmante.

Tabla de Contenidos

Prefacio	i
Sobre este manual	i
Información de Copyright.....	i
Preparando su sistema.....	ii
Cuidados durante el uso.....	ii
Introducción	1
Funciones	1
Configuración del Media Center PC	2
Planificación de la configuración del Media Center PC.....	2
Conociendo el Media center PC.....	3
Parte Frontal	3
Parte trasera	4
Haciendo conexiones	8
Conexión a una señal de televisión	8
Conexión del Media Center PC a una configuración existente	10
Usando el televisor como monitor	12
Cables para conectar su televisor.....	12
Conexión a TV	12
Conexión Receptor de Infrarrojos (IR) a Dispositivo Externo.....	16
Instalación de una antena de red inalámbrica.....	16
Instalación de la antena de TV / FM digital.....	17
Conexión a una cámara de vídeo digital	17
Conexión a otros dispositivos	18
Configuración de Altavoces y Opciones de Sonido.....	19
Configuración de altavoces.....	20
Conexión de altavoces	21
Conexión de su Media Center PC a sistema de sonido en casa	22
Configuración de salida de sonido.....	23
Configuración de salida de sonido con el asistente de sonido SoundMax.....	23
Configuración de la salida de sonido con Windows XP Media Center	24
Usando el hardware del PC	25
Usando el teclado inalámbrico	25
Usando los botones especiales del teclado.....	25
Inserción de las baterías en el teclado.....	27

Usando el mando a distancia.....	28
Inserción de baterías en el mando a distancia	30
Usando el lector de tarjetas de memoria	31
Guía de inserción de tarjetas de memoria.....	31
Iniciando Windows XP Media Center	33
Usando My TV.....	33
Visualizando programas de televisión	33
Grabando programas de televisión	33
Reproduciendo programas grabados	33
Agregar CDs de música en la librería multimedia.....	34
Reproducción de música	34
Usando My Pictures	34
Visualizando imágenes.....	34
Usando My Videos	35
Visualizando videos.....	35
Especificaciones	35

Introducción

ASUS Asteio Media Center PC le permite trabajar con las aplicaciones más exigentes y disfrutar del más rico entretenimiento. Puede ejecutar Windows XP Media Center mientras usa otros programas, o simplemente disfrutar de Windows XP Media en pantalla completa. Utilice el mando a distancia del Media Center PC de la misma forma que usaría cualquier mando a distancia en otros sistemas de entretenimiento. Puede usar el mando a distancia junto con el Media Center para ver y grabar programas de televisión, reproducir vídeos y música, y ver imágenes.

Utilice el teclado inalámbrico con ratón Touchpad integrado con Windows XP Media Center y otros programas.

Funciones

- Entretenimiento (Sonido/Vídeo)
 - Visionado y grabación de programas de televisión en directo.
 - Reproducción de DVDs y vídeos caseros.
 - Reproducción de archivos de sonido.
 - Visionado y edición de imágenes.
- Conectividad
 - Conexión a dispositivos inalámbricos.
 - Funciones de video-conferencia y llamada-conferencia (necesitará una Webcam y el software Skype para usar estas funciones).
 - Flujo de datos para compartir diferentes canales.
- Soporte para control remoto de largo alcance para teclados inalámbricos (9 metros)
- Incluye lector de tarjetas 13-en-1 (MD, CF type I & II, MS, MS-Pro, MS-Duo, MS- Pro Duo, SD, Mini SD, MMC, MMC4.x, RS MMC, RSMMC4.x) .

Configuración del Media Center PC

Planificación de la configuración del Media Center PC

Antes de comenzar la configuración del Media Center PC, tome algo de tiempo para asegurarse de que las siguientes conexiones están disponibles en la localización seleccionada.

- **Conexión a Internet**

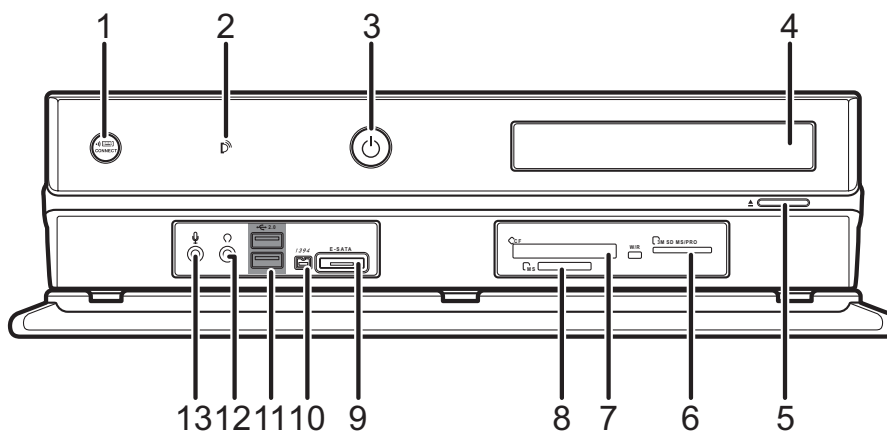
Su PC necesita de una conexión a Internet para actualizar el EPG (Guía Electrónica de Programas) y para acceder a Internet. Asegúrese de que dispone de acceso a una conexión a Internet a través de una línea telefónica o Broadband antes de iniciar la configuración del software Windows XP Media Center. Contacte con su proveedor de servicios de internet (ISP) para más información sobre cómo configurar su conexión a Internet.

- **Fuente de vídeo**

Asegúrese de que dispone de acceso a una fuente de vídeo antes de iniciar la configuración del Media Center PC. El Media Center PC recibe señales de vídeo a través de un cable coaxial o de tipo S-video. La fuente de vídeo es proporcionada a través de una antena, conexión directa a televisión por cable, un receptor de cable, o un receptor de señal vía satélite.

Conociendo el Media center PC

Parte Frontal

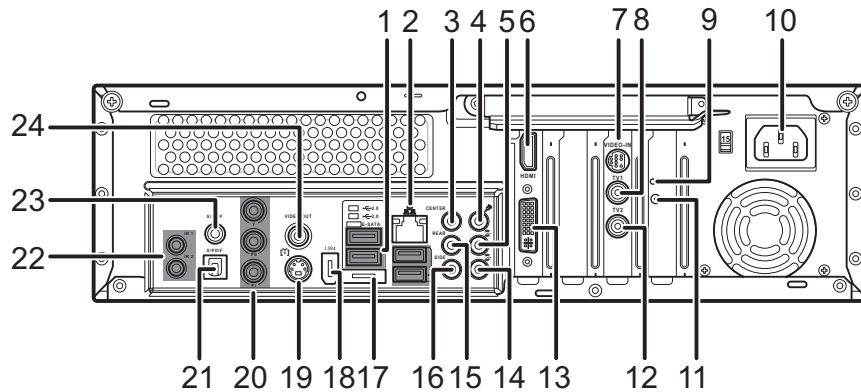


Nº	Componente	Descripción
1	Receptor de enlace	Receptor de la señal del teclado inalámbrico.
2	Receptor de infrarrojos	Receptor de la señal del mando a distancia
3	Botón de encendido	Pulse para encender o apagar su PC.
4	Unidad grabadora de CD-ROM/DVD	Utilice esta unidad para escuchar CDs de sonido, instalar juegos y programas, ver DVDs, y almacenar archivos en CDs y DVDs grabables.
5	Botón de extracción de la unidad de CD/DVD	Pulse para abrir/cerrar la bandeja del CD/DVD.
6	Lector de tarjetas SD/MMC	Utilice los lectores de tarjetas para transferir archivos entre las tarjetas soportadas y el Media Center PC.
7	Lector de tarjetas CompactFlash / MicroDrive	
8	Lector de tarjetas MS	
9	Puerto E-SATA	Utilice este puerto para conectar una unidad de disco duro externa.
10	Puerto IEEE 1394	Utilice este puerto para conectar dispositivos con conectores IEEE 1394, como por ejemplo cámaras digitales.
11	Puertos USB x 2	Utilice estos puertos para conectar dispositivos con conectores USB, como por ejemplo impresoras, cámaras, escáneres, o teclados.
12	Conector para auriculares	Utilice este puerto para conectar altavoces con amplificadores o auriculares.
13	Conector para micrófono	Utilice este puerto para conectar un micrófono externo o para conectar un cable y grabar o transmitir archivos de sonido.

Español

Parte trasera

Asteio D22



Nº	Componente	Descripción
1.	Puertos USB x 4	Utilice este puerto para conectar dispositivos USB (como por ejemplo una impresora, cámara, escaner, o teclado).
2.	Conector Ethernet	Utilice este puerto para conectar cables de red thernet 10/100/1000.
3.	Conector central para salida de sonido analógico (Line Out)	Utilice esta entrada para conectar altavoces con fuente de alimentación centrales, de tipo SubWoofers, o un amplificador de sonido externo.
4.	Conector para micrófono	Utilice esta entrada para conectar un micrófono externo o para conectar un cable y grabar o transmitir archivos de sonido.
5.	Conector de salida de sonido	Conector de salida para altavoces frontales.
6.	HDMI	Utilice esta entrada para conectar un dispositivo HDMI (High Definition Multimedia Interface).
7.	Entrada de vídeo	Utilice esta entrada para conectar un cable coaxial (entrada de vídeo).
8.	TV 1	Utilice esta entrada para conectar cables de señal. (Definido por el usuario)
9.	Indicador LED	Indica actividad en la red inalámbrica.
10.	Conector de entrada de alimentación	Utilice esta entrada para conectar cables de alimentación.
11.	Conector para antena WIFI	Utilice esta entrada para conectar una antena de red inalámbrica.
12.	TV 2	Utilice esta entrada para conectar cables de señal. (Definido por el usuario)
13.	Puerto DVI	Utilice este puerto para conectar la salida digital a un televisor o monitor.
14.	Conector de entrada de sonido	Utilice esta entrada para conectar dispositivos de entrada de sonido analógico tales como reproductores de CD.

Nº	Componente	Descripción
15.	Conector para altavoces traseros	Utilice esta entrada para conectar altavoces traseros en configuraciones de sonido multicanal.
16.	Conector para altavoces laterales	Utilice esta entrada para conectar altavoces laterales en sistemas de sonido con ocho altavoces.
17.	Puerto E-SATA	Utilice este puerto para conectar una unidad de disco duro externa en el Media Center PC.
18.	Puerto IEEE 1394	Utilice este puerto para conectar dispositivos con conectores IEEE 1394, como por ejemplo cámaras digitales.
19.	Puerto de salida S-video	Utilice este puerto para conectar dispositivos de salida de S-video, como por ejemplo un televisor.
20.	Puertos para vídeo Componentes	Utilice estos puertos para conectar dispositivos de salida con sistema de Componentes, como por ejemplo un televisor.
21.	Puerto S/PDIF (óptico)	Utilice este puerto para conectar cables de sonido óptico (Toslink) en este conector para una transferencia digital de sonido.
22.	Puertos IR x 2	Utilice este puerto para conectar los cables de control de IR para que un mando a distancia pueda controlar sistemas sintonizadores y cambiar sus canales.
23.	Puerto S/PDIF (RCA)	Utilice este puerto para conectar un cable RCA y hacer transferencias de sonido digital.
24.	Puerto de salida de vídeo	Utilice este puerto para conectar a dispositivos de visualización con entrada RCA, tales como televisores.

Nota:

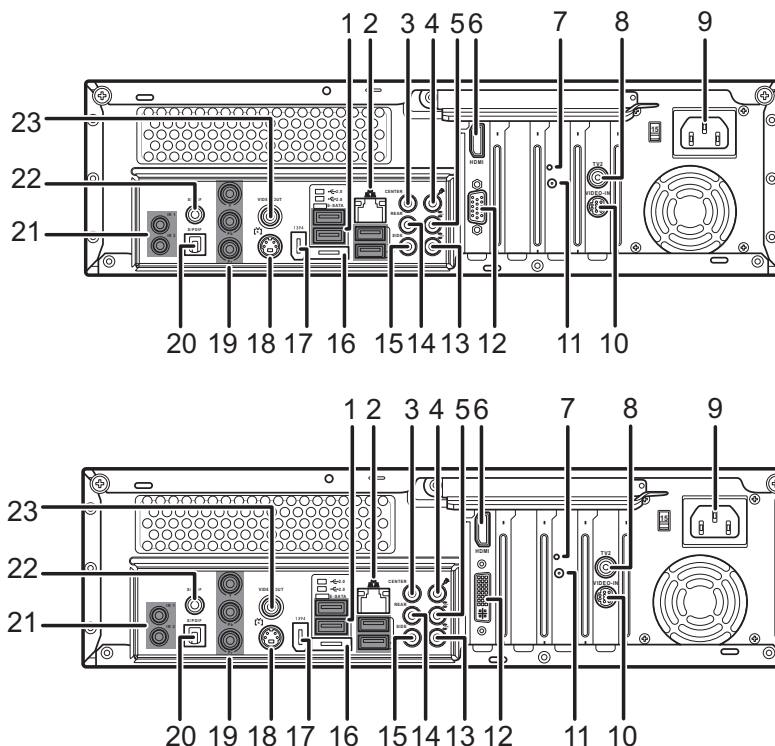
Utilice el software TVConfig para seleccionar la señal de entrada para TV1 y TV2.

Realice la configuración de su TV usando la función "ASUS TVConfig" en su Media Center PC. Acceda al programa ASUS TVConfig desde el icono de acceso directo en el Escritorio o desde el menú de inicio (haciendo clic en Inicio - Programas). Seleccione el dispositivo desde el menú desplegable y seleccione la configuración para TV analógica, FM, y DVBT respectivamente.

**Nota:**

La función TVConfig sólo está disponible en el modelo D22.

Asteio D20



Nº	Componente	Descripción
1.	Puertos USB x 4	Utilice este puerto para conectar Dispositivos USB (tales como impresoras, cámaras, escaneres o teclados).
2.	Conector Ethernet	Utilice este puerto para conectar cables de red thernet 10/100/1000.
3.	Conector central para salida de sonido analógico (Line Out)	Utilice este puerto para conectar altavoces con fuente de alimentación, centrales, de tipo SubWoofers, o un amplificador de sonido externo.
4.	Conector para micrófono	Utilice esta entrada para conectar un micrófono externo o para conectar un cable y grabar o transmitir archivos de sonido.
5.	Conector de salida de sonido	Conector de salida para altavoces frontales.
6.	HDMI	Utilice esta entrada para conectar un dispositivo HDMI (High Definition Multimedia Interface).
7.	Indicador LED	Indica actividad en la red inalámbrica.
8.	TV	Utilice esta entrada para conectar cables de señal.
9.	Conector de entrada de	Utilice esta entrada para conectar cables de alimentación.
10.	Video In	Conecte un cable coaxial desde la entrada de vídeo a este conector.
11.	Conector para antena WIFI	Utilice esta entrada para conectar una antena de red inalámbrica.

Nº	Componente	Descripción
12.	Puerto VGA /DVI	Utilice esta salida para conectar un cable de vídeo digital al televisor / monitor.
13.	Conector de entrada de sonido	Utilice esta entrada para conectar dispositivos de entrada de sonido analógico tales como reproductores de CD.
14.	Conector para altavoces traseros	Utilice esta entrada para conectar altavoces traseros en configuraciones de sonido multicanal.
15.	Conector para altavoces laterales	Utilice esta entrada para conectar altavoces laterales en sistemas de sonido con ocho altavoces.
16.	Puerto E-SATA	Utilice este puerto para conectar un disco duro externo a su Media Center PC.
17.	Puerto IEEE 1394	Utilice este puerto para conectar dispositivos con conectores IEEE 1394, como por ejemplo cámaras digitales.
18.	Puerto de salida S-video	Utilice este puerto para conectar dispositivos de salida de S-video, como por ejemplo un televisor.
19.	Puertos para vídeo Componentes	Utilice estos puertos para conectar dispositivos de salida con sistema de Componentes, como por ejemplo un televisor.
20.	Puerto S/PDIF (óptico)	Utilice este puerto para conectar cables de sonido óptico (Toslink) en este conector para hacer transferencias de sonido digital.
21.	Puertos IR x 2	Utilice este puerto para conectar los cables de control de IR para que un mando a distancia pueda controlar sistemas sintonizadores y cambiar sus canales.
22.	Puerto S/PDIF (RCA)	Utilice este puerto para conectar un cable RCA y hacer transferencias de sonido digital.
23.	Puerto de salida de vídeo	Utilice este puerto para conectar a dispositivos de visualización con entrada RCA, tales como un televisor.

Notas:

- Los conectores podrían variar dependiendo del modelo adquirido.
- Asegúrese de que utiliza el voltaje adecuado según la recomendación del fabricante y la toma de corriente en su localidad antes de encender el Media Center PC. Consulte la etiqueta en la parte izquierda del conector de entrada de alimentación.



Haciendo conexiones

Conexión a una señal de televisión

Su Media Center PC dispone de conectores para entrada de Vídeo (Video-In) o coaxial (TV). Seleccione el conector adecuado a su entrada de vídeo:

• Video-In

Esta señal proporciona vídeo de alta calidad a su Media Center PC. Usando el conector Video-In, el sonido viaja de forma independiente, por lo que necesitará conectar el sonido usando conectores de tipo RCA.

• Coaxial (TV)

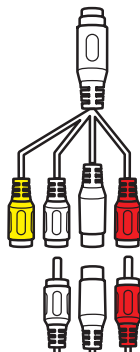
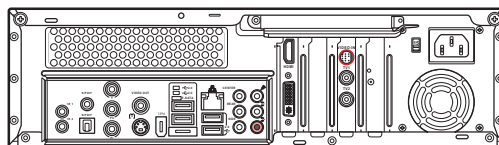
Las señales de vídeo y sonido son transmitidas a través de un mismo cable. El uso de un cable coaxial es la forma más fácil para conectar un cable directo o antena de vídeo a su Media Center PC.

Nota:

En un entorno MCE, si el dispositivo está preparado para recibir señales de TV Digital, las funciones de TV analógica y FM estarán desactivadas y viceversa.

Conexión a una señal de TV usando S-video

1. Conecte el cable de entrada de vídeo a una fuente de vídeo, como por ejemplo un dispositivo receptor de cable o de satélite, a través del cable adaptador de vídeo suministrado. A continuación, conecte el otro extremo a puerto "Video-In" en la parte trasera de su Media Center PC.
2. Conecte un cable RCA desde los conectores de salida de sonido en el dispositivo al conector de entrada de línea (rojo) en la parte trasera de su Media Center PC.

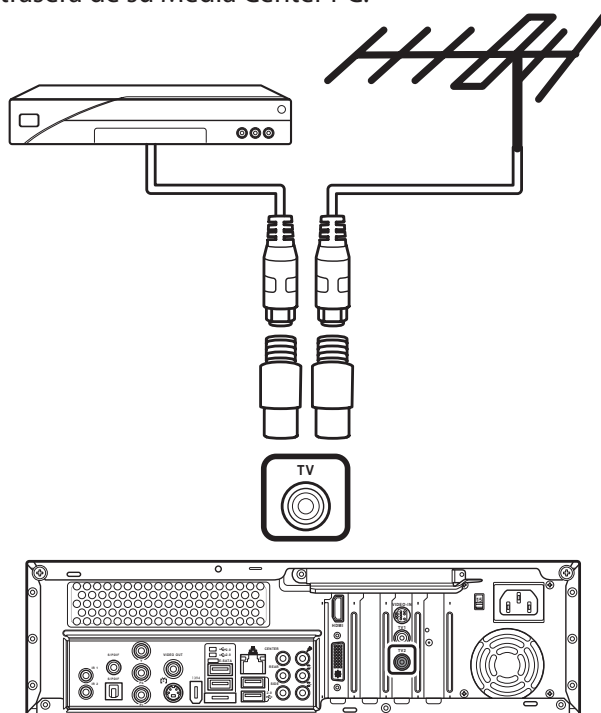


Nota:

Necesitará usar un adaptador RCA para conectar los cables RCA.

Conexión a través de un cable coaxial

Conecte un cable coaxial (no incluido) desde un dispositivo de vídeo (p.e. una conexión directa por cable, un dispositivo receptor de cable, un dispositivo receptor de TV vía satélite, o una antena) al Conector "TV2" en la parte trasera de su Media Center PC.



Realice la configuración de su televisor usando la función "ASUS TVConfig" en su Media Center PC. Acceda al programa ASUS TVConfig desde el icono de acceso directo en el Escritorio o desde el menú de inicio (haciendo clic en Inicio - Programas). Seleccione el dispositivo desde el menú desplegable y seleccione la configuración para TV analógica, FM, y DVDT respectivamente.



Nota:

La función TVConfig sólo está disponible en el modelo D22.

Conexión del Media Center PC a una configuración existente

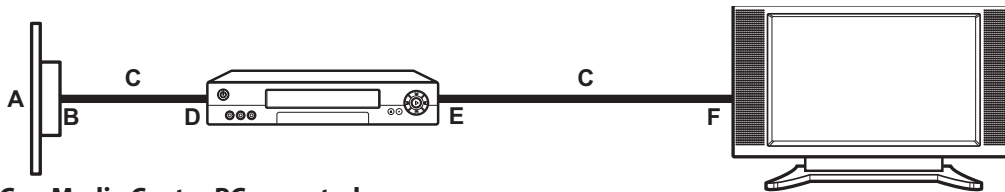
Esta sección describe el método de conexión de su Media Center PC a una configuración de televisión ya establecida para obtener una señal de televisión.

Toma en muro -> Reproductor de vídeo (VCR) -> TV, usando un cable coaxial

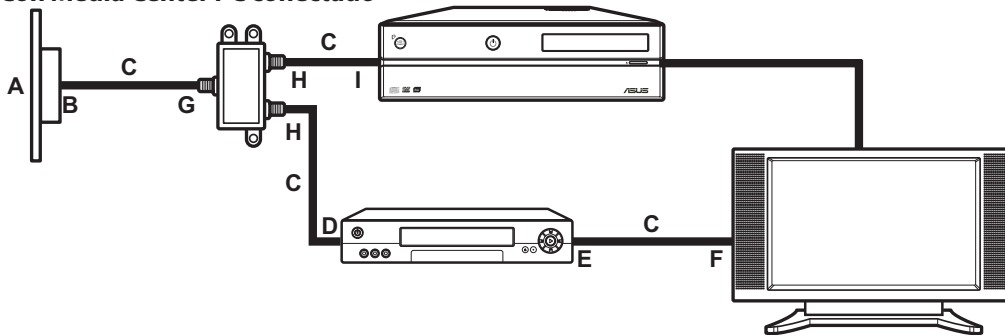
Retire el cable coaxial en la entrada de su VCR, y conéctelo a la entrada de un distribuidor de cable coaxial (no incluido). Conecte dos cables coaxiales a las salidas del distribuidor.

Conecte uno de los cables a la entrada del VCR y el otro al conector de TV en la parte trasera del Media Center PC.

Configuración existente



Con Media Center PC conectado



- A Muro
- B Toma de cable coaxial
- C Cable coaxial
- D Entrada del VCR
- E Salida del VCR
- F Entrada de TV
- G Entrada de distribuidor
- H Salida de distribuidor
- I Conector "TV In" en la parte trasera del Media Center PC

Nota:

Los distribuidores no están incluidos en el embalaje.

Toma en muro -> Receptor de Cable TV o Satélite -> TV, usando un cable coaxial

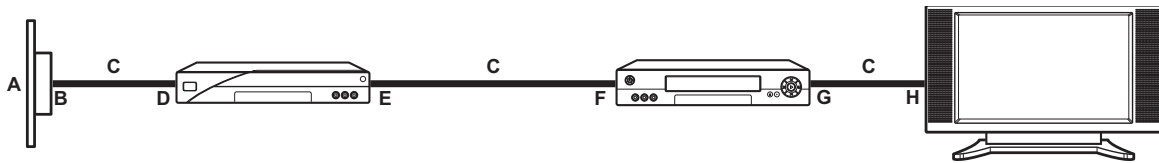
Retire el cable coaxial en la entrada de su VCR, y conéctelo a la entrada de un distribuidor de cable coaxial (no incluido). Conecte dos cables coaxiales a las salidas del distribuidor.

Conecte uno de los cables a la entrada del VCR y el otro al conector de TV en la parte trasera del Media Center PC.

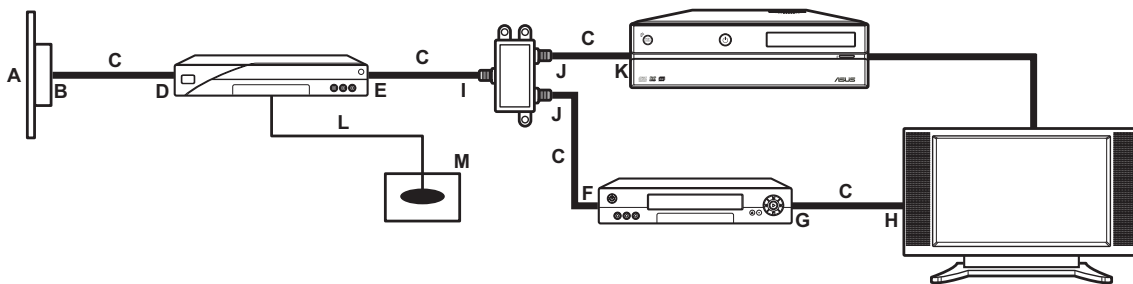
Nota:

Conecte el receptor de Cable TV o Satélite al VCR usando un cable coaxial.

Configuración existente



Con Media Center PC conectado



- A Muro
- B Toma de cable coaxial
- C Cable coaxial
- D Entrada del dispositivo receptor/Satélite
- E Salida del dispositivo receptor/Satélite
- F Entrada del VCR
- G Salida del VCR
- H Entrada de TV
- I Entrada del distribuidor
- J Salida del distribuidor
- K Conector "TV In" en la parte trasera del Media Center PC
- L Cable del sensor de mando a distancia
- M Sensor de mando a distancia

Nota:

Los distribuidores no están incluidos en el embalaje.

Usando el televisor como monitor

La capacidad de salida para televisión permite que su PC sea conectado a un televisor y usarlo como monitor. Con esta función podrá ver imágenes, DVDs, o jugar partidas usando su televisor.

Cables para conectar su televisor

Para conectar su Media Center PC a su TV, necesitará usar un cable de vídeo y otro de sonido. El tipo de cable de vídeo que necesitará dependerá del modelo de su televisor.

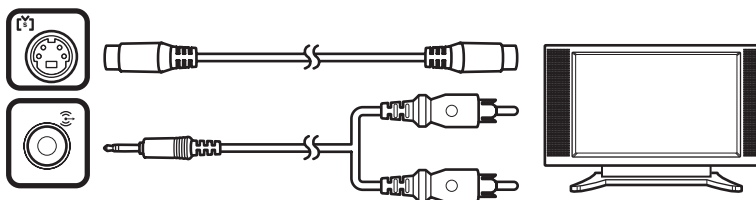
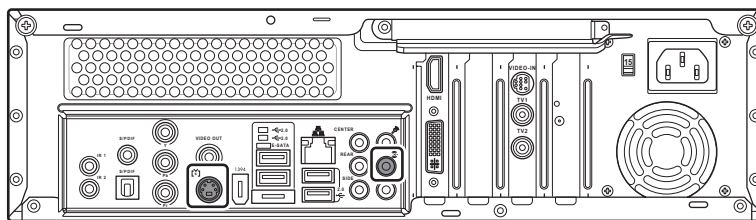
Puede conectar su Media Center PC a su TV usando cualquiera de los siguientes cables:

- S-video con sonido estéreo
- Vídeo Componentes (YPbPr) con sonido estéreo
- Video con sonido estéreo
- DVI con sonido estéreo
- HDMI
- SCART
- Convertidor DVI a VGA con sonido estéreo

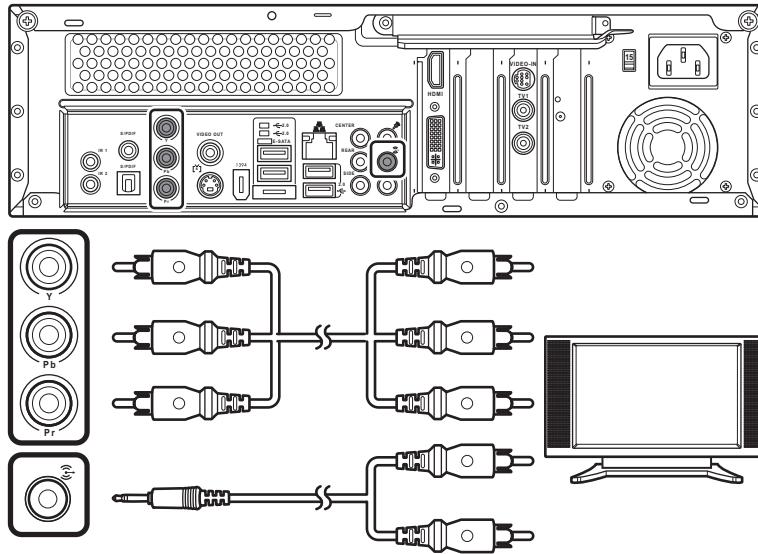
Conexión a TV

1. Apague su Media Center PC.
2. Conecte el cable de televisión usando cualquiera de las siguientes opciones, dependiendo de los conectores en su televisor.

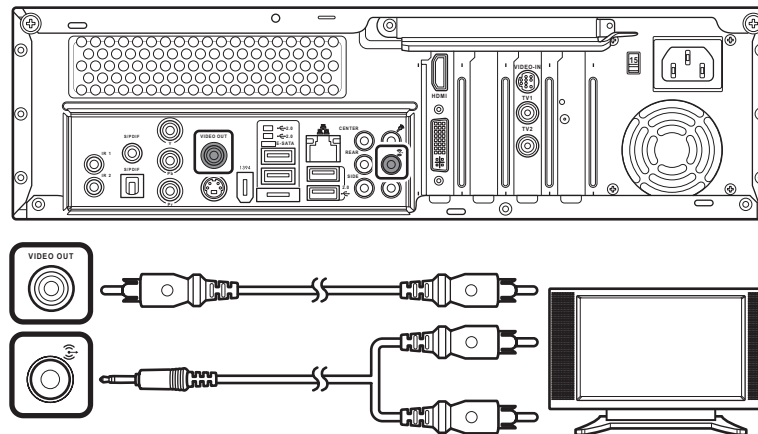
Si su televisor dispone de un **conector de S-video**, conecte un cable S-video desde el conector de entrada de **S-video** en el televisor al conector de salida de **S-video** en la parte trasera de su Media Center PC.



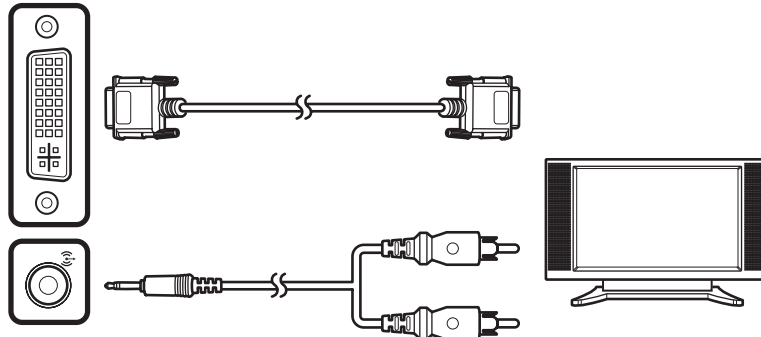
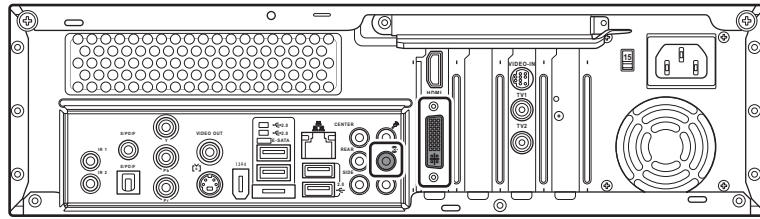
Si su televisor dispone de un conector de entrada de **vídeo Componentes**, conecte el cable de vídeo Componentes desde el conector de **vídeo Componentes** en su televisor al conector de salida de vídeo Componentes en la parte trasera de su Media Center PC.



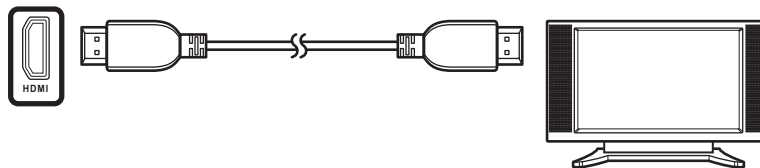
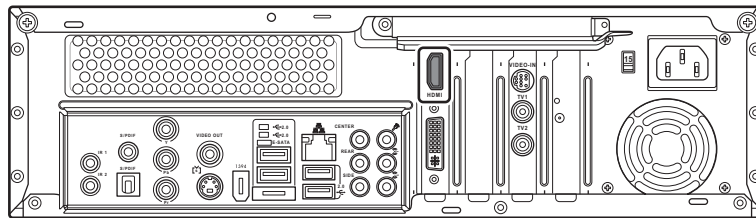
Si su televisor dispone de un conector **RCA**, conecte un cable RCA desde la entrada de vídeo **RCA** en el televisor al conector de salida **Video Out** en su Media Center PC.



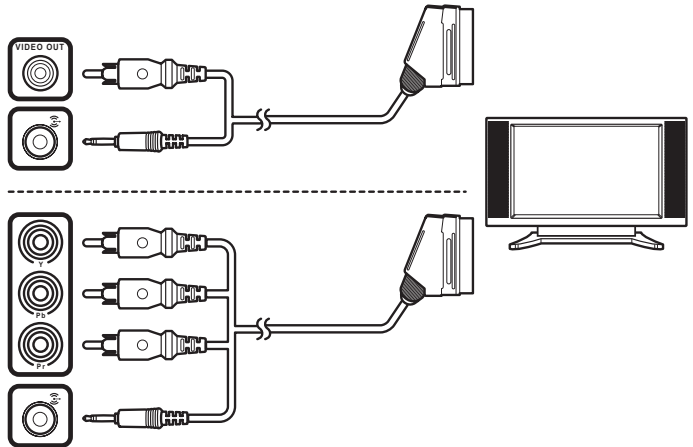
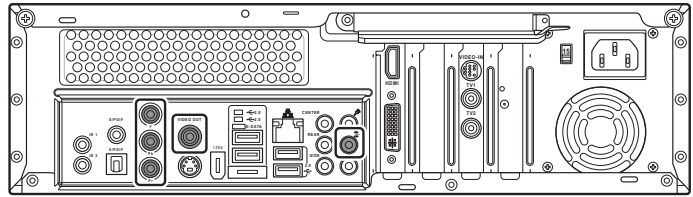
Si su televisor dispone de un conector **DVI**, conecte un Cable DVI desde the conector DVI en el televisor al conector **DVI** en la parte trasera de su Media Center PC.



Si su televisor dispone de un conector **HDMI**, conecte un cable HDMI desde el conector HDMI en su televisor al conector **HDMI** en la parte trasera de su Media Center PC.



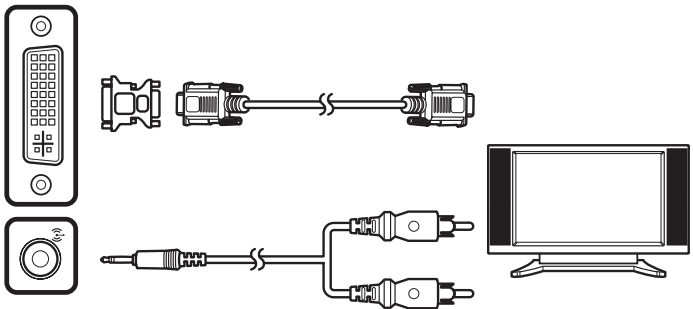
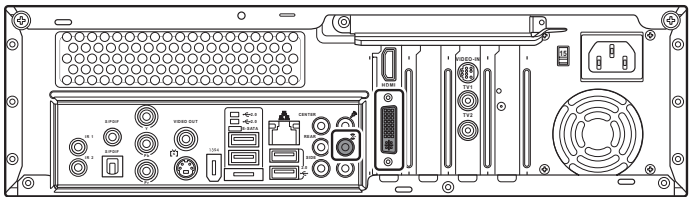
Si su televisor dispone de un conector **SCART**, conecte un cable de vídeo SCART/Compuesto desde el conector **SCART** en el televisor a los conectores de salida de TV (**Video Out**) y sonido (color verde limón) en la parte trasera de su Media Center PC. También puede conectar su Media Center PC a un televisor usando un cable de vídeo SCART/Componentes cable se muestra en la figura.



Nota:

Los cables mostrados son sólo a modo ilustrativo. Los cables suministrados en el embalaje podrían ser distintos.

Si su televisor dispone de un conector **VGA**, en primer lugar utilice un convertidor **VGA** al conector **DVI** en la parte trasera de su Media Center PC (sólo para el modelo D22), y luego conecte su PC a un televisor usando el cable VGA.



3. Encienda el televisor y seleccione el canal o entrada adecuado (**TV In, PC, etc**).

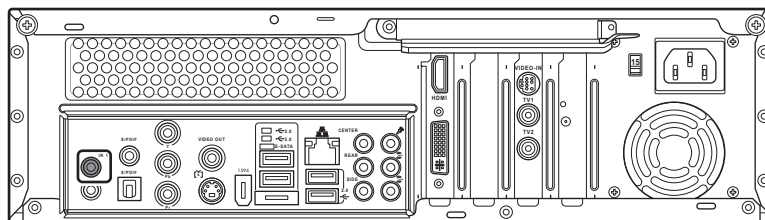
Nota:

Las aperturas en la carcasa de su PC se usan para proporcionar una correcta ventilación del sistema. No bloquee o cubra estas aperturas.

Conexión del Receptor de Infrarrojos (IR) a Dispositivo Externo

Siga estas instrucciones para conectar un dispositivo receptor de infrarrojos:

1. Conecte un extremo del cable IR al puerto IR en la parte trasera de su Media Center PC.
2. Conecte el otro extremo del cable IR al dispositivo receptor como se muestra en la figura.



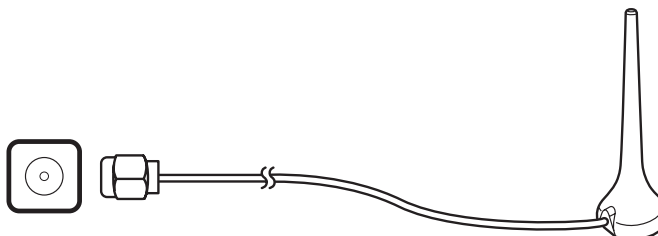
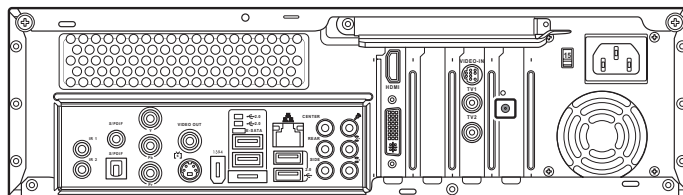
Nota:

Dispone de dos puertos IR para hacer sus conexiones.

Instalación de una antena de red inalámbrica

Siga estas instrucciones para conectar una antena externa a la tarjeta de red inalámbrica:

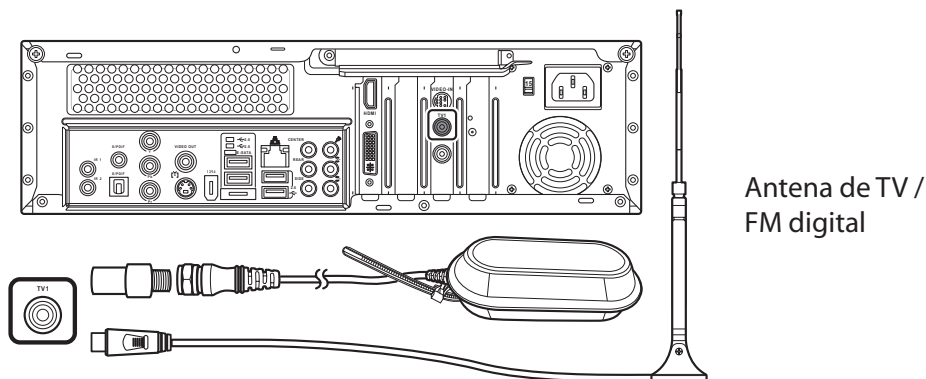
1. Ajuste con firmeza la antena externa suministrada al conector de red inalámbrica en la parte trasera de su Media Center PC.
2. El Indicador LED se iluminará intermitentemente para indicar la recepción de señales de red inalámbricas.



Instalación de la antena de TV / FM digital

Siga estas instrucciones para conectar la antena de TV / FM digital:

1. Ajuste el convertidor NTSC a PAL a la antena de TV / FM digital proporcionada.
2. Conecte la antena de TV / FM digital al conector "TV" en la parte trasera de su Media Center PC.



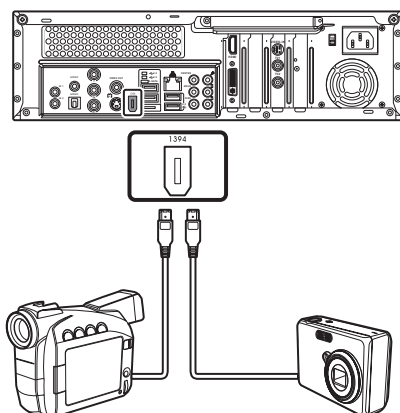
Notas:

- Las antenas que se muestran en la figura son sólo a modo ilustrativo. La antena proporcionada podría ser distinta.
- La recepción y calidad de la señal en antenas de TV / FM digitales podría variar según su localización.

Conexión a una cámara de vídeo digital

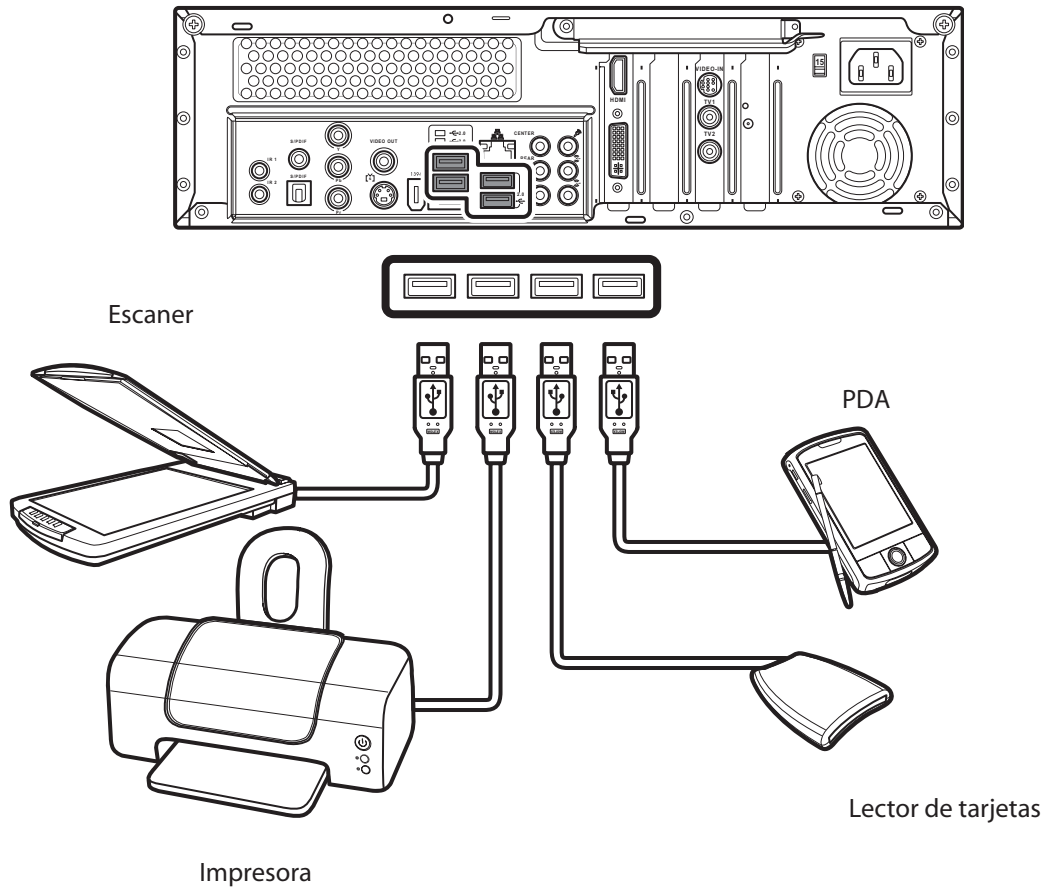
Siga estas instrucciones para conectar una cámara de fotos o vídeo digital:

1. Encienda su Media Center PC, y espere hasta que Windows XP se inicie.
2. Conecte el cable de transferencia de la cámara en ésta y a uno de los puertos USB o IEEE 1394 (FireWire) desocupados en su Media Center PC.
3. Un mensaje **Detectado nuevo software** aparecerá. Siga las instrucciones en pantalla si fuera necesario. Al completar la instalación, un mensaje aparecerá indicando que la cámara esta lista para ser usada.



Conexión a otros dispositivos







Puede conectar otros dispositivos periféricos tales como impresoras, escaners, lectores de tarjetas o PDAs a su Media Center PC.



Configuración de Altavoces y Opciones de Sonido

El ASUS Media Center PC soporta muchas opciones de sonido, conexiones, y configuraciones de altavoces. Puede configurar su PC para usar dos altavoces estéreo, o en un sistema de sonido multi-canal. Conecte su sistema de altavoces al PC, y configure el software de sonido para su salida.

El ASUS Media Center PC incluye seis conectores de sonido en la parte trasera de su PC, pudiendo incluso conectar sistemas de sonido 7.1.

Conector de sonido	Descripción
 SIDE	SIDE (gris) conecta altavoces laterales en un sistema de altavoces de ocho unidades (7.1).
 CENTER	CENTER (naranja) conecta altavoces centrales/subwoofer en una configuración de sonido multi-canal.
 REAR	REAR (negro) conecta a altavoces traseros en una configuración de sonido multi-canal.
	Salida de línea (verde limón) conecta los altavoces frontales.
	Entrada de línea (rojo) conecta dispositivos de sonido analógicos (p.e. un reproductor de CDs) como entrada de sonido al PC.
	Mic (celeste) puede conectar un micrófono a este conector.

Español

Configuración de altavoces

Puede configurar su Media Center PC de cualquiera de las siguientes formas:

Nombre	Sistema de altavoces
Auriculares	Ninguno.
2 (estéreo)	Altavoz izquierdo, altavoz derecho.
2.1	Altavoz izquierdo, altavoz derecho, y un subwoofer.
4.1	Dos altavoces frontales, dos altavoces traseros, y un subwoofer.
6/ 5.1	Dos altavoces frontales, dos altavoces traseros, un altavoz central, y un subwoofer.
8/ 7.1	Dos altavoces frontales, dos altavoces traseros, dos altavoces laterales, un altavoz central, y un subwoofer.
Sistema de sonido en casa	Sistema de sonido en casa o "home theater" con altavoces pasivos.

Tipos de altavoces

Su PC soporta solamente sistemas de altavoces activos (con alimentación). Un sistema de altavoces activo dispone de su propia fuente de alimentación. Un sistema de sonido en casa no requiere altavoces activos ya que el receptor proporciona amplificación.

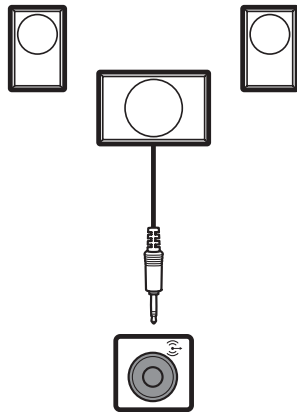
Un set de altavoces estéreo es un sistema de dos canales, con un altavoz izquierdo y otro derecho. Un sistema de sonido multi-canal dispone también de altavoces trasero-izquierdo y trasero-derecho, así como un altavoz central. Los altavoces laterales se incluyen en sistemas más avanzados. Un subwoofer proporciona sonidos bajos mejorados.

“.1” indica la presencia de un subwoofer. Por ejemplo, 7.1 canales se refiere a un sistema con ocho altavoces: dos altavoces frontales (izquierdo-derecho), dos altavoces laterales (izquierdo-derecho), un altavoz central, y un subwoofer.

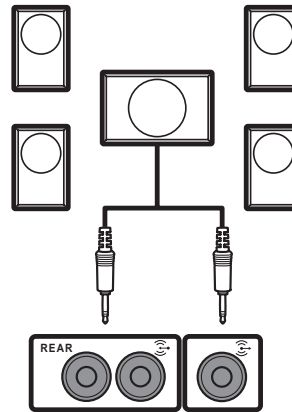
Conexión de altavoces

Consulte las siguientes ilustraciones para conectar el sistema de altavoces conectado a su Media Center PC. Tras conectar los altavoces al PC, configure la salida de sonido en su Media Center PC.

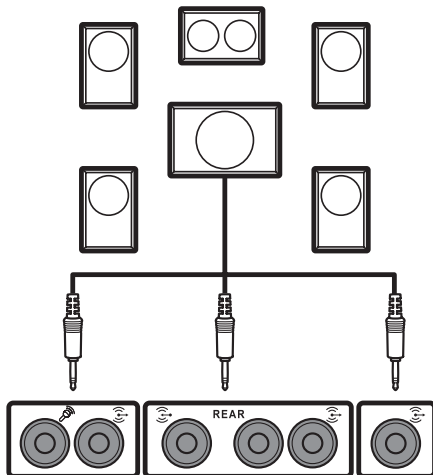
2 Altavoces



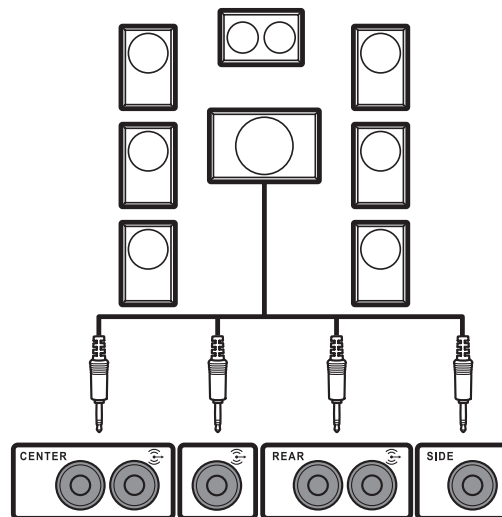
4 Altavoces



5 Altavoces y un subwoofer



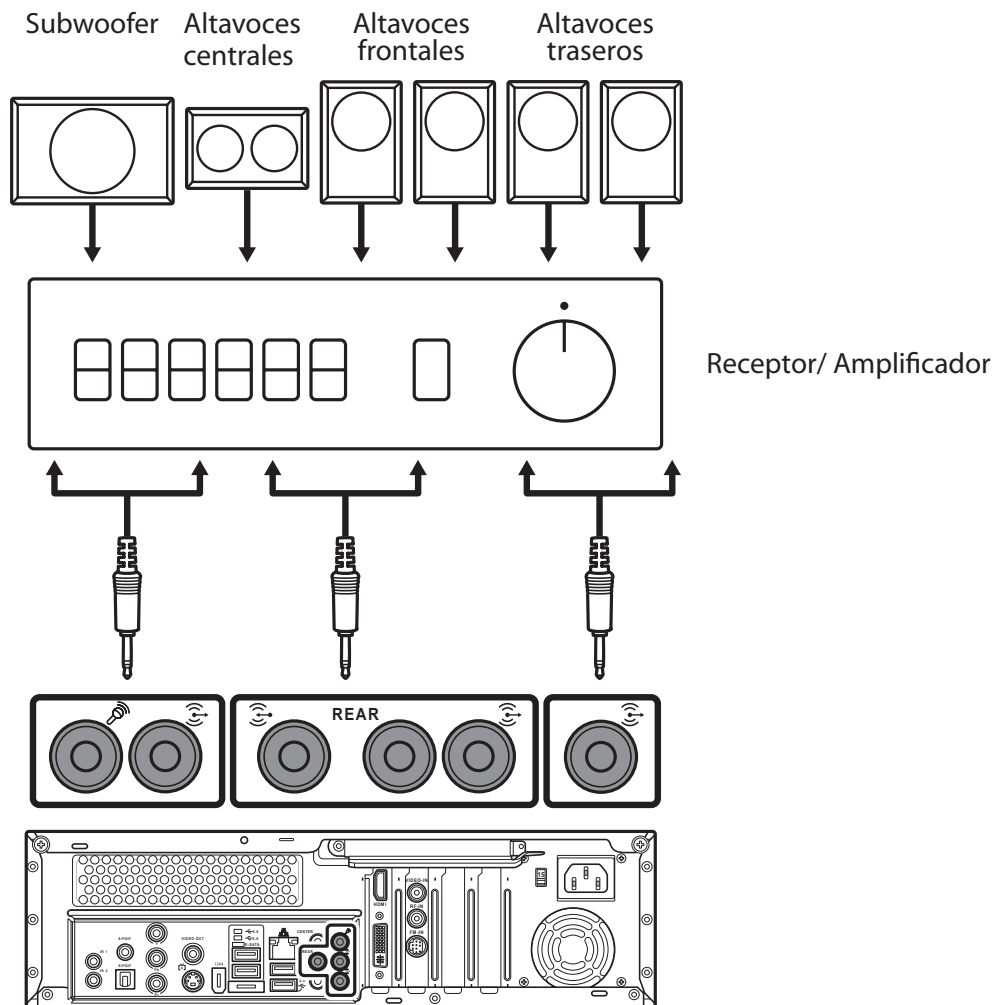
7 Altavoces y un subwoofer



Conexión de su Media Center PC a sistema de sonido en casa

Puede conectar su Media Center PC a un sistema estéreo en casa o "home theater", con sistema receptor/amplificador multi-canal, usando altavoces existentes.

La mayoría de los receptores/amplificadores domésticos dispone de conectores de entrada de tipo RCA. Podría necesitar de adaptadores de tipo "Y" para conectar los receptores/amplificadores a su Media Center PC (opcional).



Configuración de salida de sonido


Puede configurar la salida de altavoces de su PC con el software SoundMax o Media Center, ambos incluidos en su Media Center PC.

Configuración de salida de sonido con el asistente de sonido SoundMax

Tras instalar los altavoces en su Media Center PC, siga los pasos a continuación descritos para hacer la configuración del sonido:







1. Desde la barra de tareas de Windows, haga clic en **Inicio**.
2. Haga clic en **Programas**.
3. Seleccione **SoundMax** para ejecutar el programa. La ventana SoundMax se abrirá con una de las pantallas de control.



4. Haga clic en el icono del asistente de sonido  de la barra de tareas para configurar los ajustes de salida de sonido para su sistema de altavoces.
5. En el menú desplegable, seleccione la opción que se ajuste al número de altavoces que disponga.
6. La ventana de ajuste de volumen aparecerá. Ajuste el volumen individual de cada altavoz usando su barras, o ajuste el volumen de todos los altavoces simultáneamente con el control de volumen principal en el medio de la pantalla.
7. Haga clic en **Next** (siguiente). La pantalla de ajuste de volumen del micrófono aparecerá. Haga clic en **Microphone Test** para probar el micrófono. Haga clic en **Next** cuando haya terminado.
8. Haga clic en **Finish** para salir del asistente de sonido SoundMax.

Usando la barra de tareas de la aplicación SoundMax

La ventana SoundMax incluye las siguientes funciones:

1.  Asistente de sonido: Haga clic aquí para acceder al asistente de configuración de sonido.
2.  Configuración por defecto: Haga clic aquí para restaurar la configuración a sus valores de fábrica.
3.  Preferencias: Haga clic aquí para ajustar las preferencias a sus necesidades.
4.  Control de volumen: Haga clic aquí para mostrar/ocultar la pantalla de control del volumen.
5.  Configuración de grabación: Haga clic aquí para mostrar/ocultar la pantalla de control del grabación.
6.  Ayuda: Haga clic aquí para mostrar la ventana de ayuda.

Configuración de la salida de sonido con Windows XP Media Center

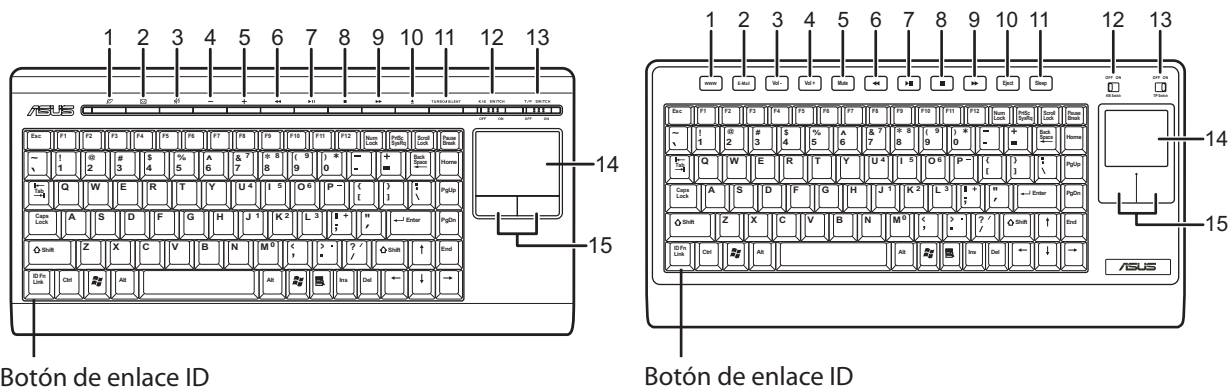
1. Desde la barra de tareas de Windows, haga clic en **Inicio**.
2. Haga clic en **Programas**.
3. Seleccione **Windows XP Media Center** para ejecutar este programa. La ventana de Windows XP Media Center aparecerá en pantalla.
4. Desde el menú principal, seleccione **Configuración**.
5. Seleccione **Configuración de altavoces** y haga clic en **Siguiente**.
6. Seleccione el número de altavoces en su sistema y haga clic en **Siguiente**.
7. Pruebe la salida de sonido en sus altavoces. Seleccione el resultado de su prueba y haga clic en **Siguiente** para proceder.
8. Haga clic en **Terminar** cuando haya finalizado la configuración.

Usando el hardware del PC

Usando el teclado inalámbrico

Su Media Center PC incluye un teclado con un transmisor/receptor inalámbrico incorporado. Una luz en la esquina superior derecha del teclado indica la actividad inalámbrica.

Usando los botones especiales del teclado



Botón de enlace ID

Botón de enlace ID

Consulte la siguiente tabla para familiarizarse con las funciones de cada botón especial del teclado.

Nº	Función	Descripción
1.	Internet	Pulse para acceder a su navegador de Internet.
2.	E-mail	Pulse para acceder a su programa de e-mails.
3.	Silencio	Pulse para desactivar el sonido.
4.	Reducir volumen	Pulse para reducir el volumen.
5.	Incrementar volumen	Pulse para incrementar el volumen.
6.	Rebobinar	Pulse para rebobinar un archivo multimedia.
7.	Reproducción/pausa	Pulse para reproducir o hacer una pausa en un archivo multimedia.
8.	Detener	Pulse para detener un archivo multimedia.
9.	Avance rápido	Pulse para hacer un avance rápido en un archivo multimedia.
10.	Extracción	Pulse para extraer la bandeja del disco.
11.	Turbo/Silencioso	Pulse para intercambiar entre los modos "Turbo" y "Silencioso".
12.	Botón de encendido del teclado	Activa/desactiva el teclado.
13.	Activar Touchpad	Activa/desactiva el ratón Touchpad.
14.	Touchpad	Permite el movimiento del puntero del ratón usando los dedos.
15.	Botones del Touchpad	Actúan como los botones izquierdo y derecho de un ratón convencional.

Nota:

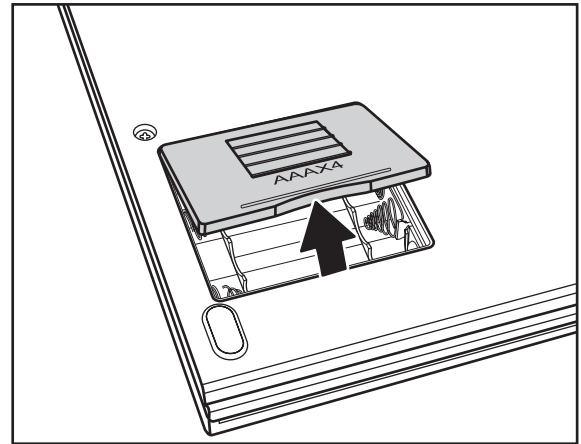
Los teclados mostrados son ilustrativos. El teclado incluido de su embalaje podría variar.

Notas:

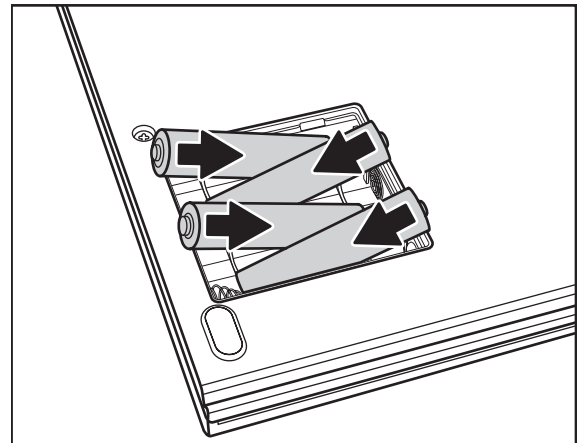
- Si su Media Center PC no puede detectar el teclado inalámbrico, pulse sobre el botón de **Conexión** en la parte superior izquierda del frontal de su PC, y sobre el botón **ID Link** en la parte inferior izquierda del teclado.
- Su Media Center PC dispone de dos modos de operación:
 - Modo silencioso:** En el modo silencioso, el sistema reduce automáticamente la tasa de transferencia del CD-ROM y la velocidad de la CPU y GPU. Esto proporciona un ambiente de trabajo más silencioso. Este es el modo predeterminado en el sistema.
 - Modo turbo:** En el modo turbo, el sistema usará las velocidades de CD-ROM, CPU y GPU más altas de las que el sistema sea capaz, para así conseguir un rendimiento óptimo. Este modo es ideal para tareas de alta demanda, como por ejemplo video juegos o procesos multimedia.
- El teclado inalámbrico está equipado de un modo de ahorro de energía para reducir su consumo. Al dejar el teclado inactivo durante más de tres minutos, entrará en el modo de ahorro de energía. Pulse cualquier tecla (exceptuando el Touchpad y sus botones) para volver al modo normal. (En modo de ahorro de energía, el consumo de baterías es 1.88% del consumo en modo normal.).

Inserción de las baterías en el teclado

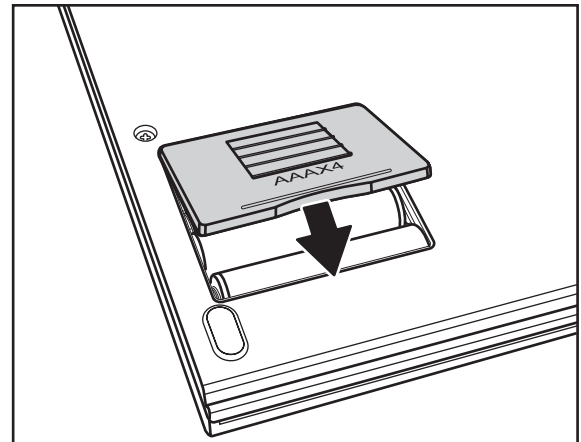
1. Abra el compartimento para baterías en la parte trasera del teclado.



2. Inserte las baterías prestando atención a las indicaciones de polaridad dentro del compartimento para baterías.



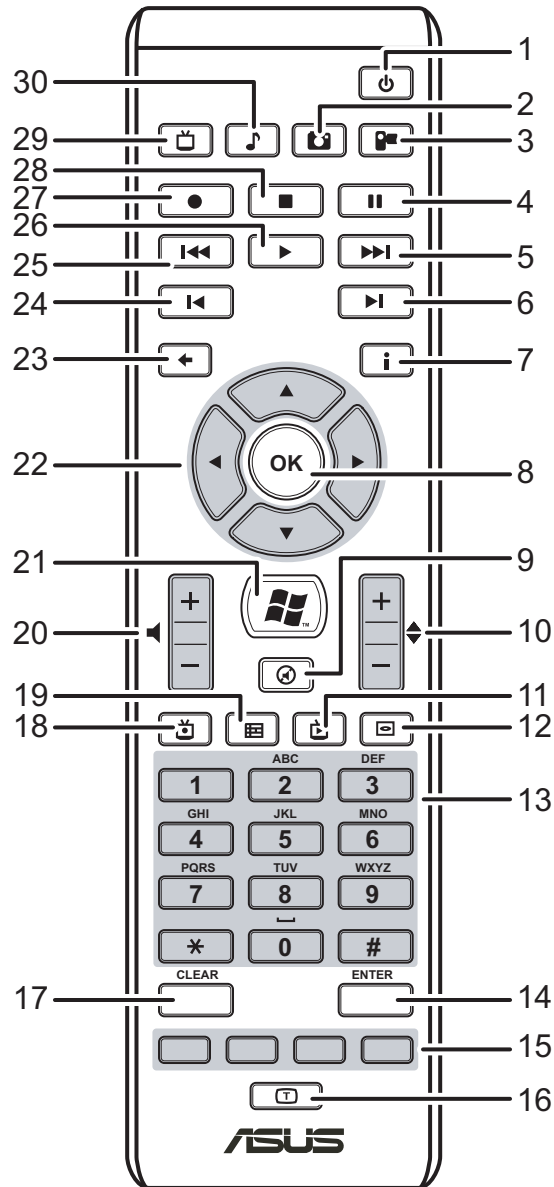
3. Vuelva a colocar el compartimento para baterías.



Usando el mando a distancia

Utilice el mando a distancia con el programa Windows XP Media Center y así ver y grabar programas de televisión, reproducir programas grabados u otros archivos multimedia, tales como música, vídeo, o películas.

Consulte la siguiente tabla para familiarizarse con las funciones del mando a distancia.

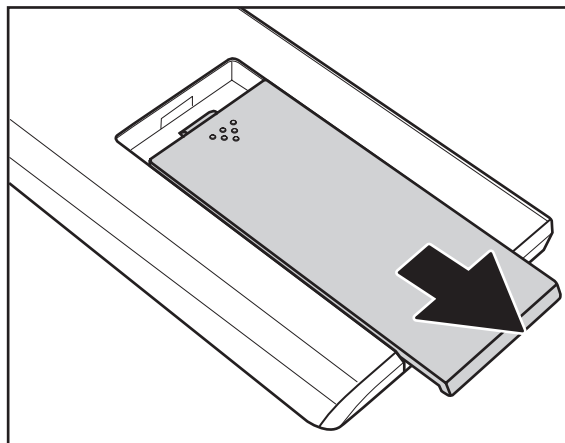


Español

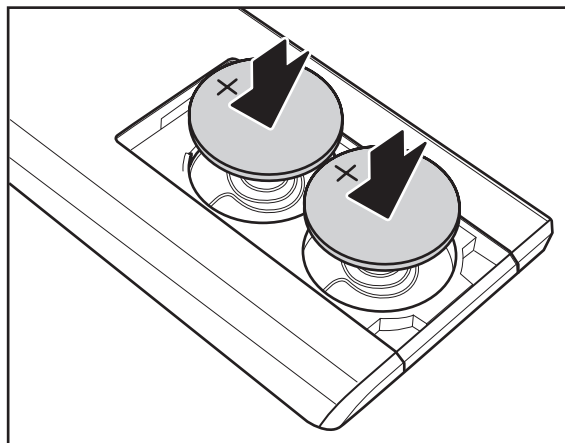
Nº	Nombre	Descripción
1.	Encendido	Pulse para apagar la pantalla y altavoces (modo "ausente")
2.	Foto	Pulse para acceder al modo Foto.
3.	Vídeo	Pulse para acceder al modo Video.
4.	Pausa	Pulse para hacer una pausa durante la reproducción de un archivo multimedia.
5.	Avance rápido	Pulse para hacer un avance rápido durante la reproducción de un archivo multimedia
6.	Pista siguiente	Pulse para ir a la siguiente pista.
7.	Información	Pulse para mostrar la pantalla de información del programa.
8.	Botón "OK"	Pulse para confirmar una acción.
9.	Silencio	Pulse para desactivar el sonido.
10.	Cambiar canal +/-	Pulse para intercambiar canales mientras ve televisión.
11.	Botón de TV en directo	Pulse para ver programas de televisión en directo.
12.	Botón DVD	Pulse para cambiar al modo DVD.
13.	Teclado numérico	Pulse para acceder a una canal directamente.
14.	Entrar	Pulse para confirmar una selección.
15.	Botones de teletexto	Solo disponible en los modelos europeos.
16.	Cambio de modo	Cambia entre modos numérico y alfabético.
17.	Borrar	Pulse para borrar la información introducida.
18.	Grabación de TV	Pulse para iniciar la grabación del programa actual.
19.	EPG (Guía Electrónica de Programación)	Pulse para mostrar la Guía Electrónica de Programación.
20.	Volumen +/-	Pulse para incrementar/reducir el nivel de sonido.
21.	Windows Media Center	Pulse para acceder al programa Media Center.
22.	Botones de navegación	Pulse para navegar entre menús.
23.	Volver	Pulse para volver a la página previa.
24.	Pista anterior	Pulse para regresar a una pista anterior.
25.	Rebobinar	Pulse para rebobinar un archivo multimedia.
26.	Reproducir	Pulse para reproducir un archivo multimedia.
27.	Grabar	Pulse para iniciar una grabación.
28.	Detener	Pulse para detener la reproducción de un archivo multimedia.
29.	TV	Pulse para acceder al modo de televisión.
30.	Música	Pulse para acceder de música.

Insertión de baterías en el mando a distancia

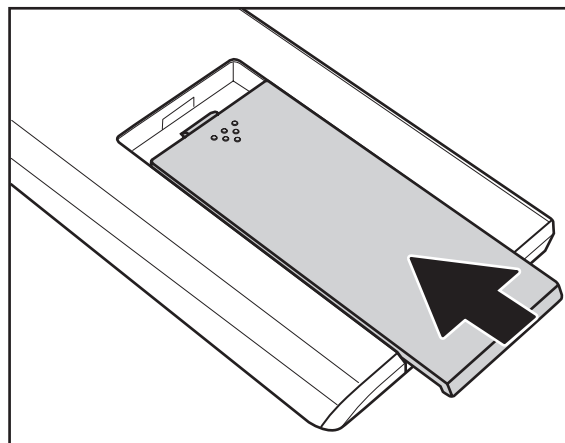
1. Abra el compartimento para baterías en la parte trasera del mando a distancia.



2. Inserte las baterías prestando atención a las indicaciones de polaridad dentro del compartimento para baterías.



3. Vuelva a colocar el compartimento para baterías.



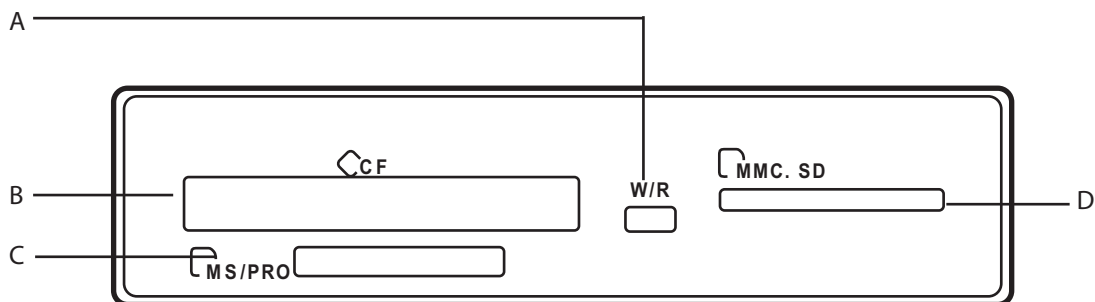
Usando el lector de tarjetas de memoria

Las cámaras de fotos digitales y otros dispositivos multimedia utilizan tarjetas de memoria para almacenar los archivos creados. El lector de tarjetas de memoria integrado en el panel frontal de su Media Center PC permite la lectura o escritura en distintos tipos de tarjetas de memoria.

Puede colocar tarjetas en uno o más zócalos para tarjetas y usarlas de forma independiente. Coloque las tarjetas en los zócalos de una en una. Cada zócalo tiene su propia letra de unidad e icono, que aparecerán en la pantalla de **Mi PC**.

Refiérase a la siguiente ilustración para familiarizarse con el lector de tarjetas de memoria.

Guía para la inserción de tarjetas de memoria



Elemento	Nombre	Descripción
A	LED de actividad	Muestra la transferencia de datos
B	Zócalo CF	Soporta MD, CF Tipo I/II
C	Zócalo MS/MS PRO	Soporta MS/MS-Pro, MS duo, MS pro duo
D	Zócalo MMC/SD	Soporta SD, mini SD (Micro SD con adaptador), MMC, MMC4.x, RS MMC, RSMMC4.x (MMC mobile con adaptador)

Siga estas instrucciones para usar el lector de tarjetas de memoria:

1. Inserte con cuidado la tarjeta de memoria en el zócalo apropiado hasta que quede correctamente ajustada.
2. Una ventana de reproducción automática aparecerá. Seleccione el programa para acceder a los archivos almacenados en la tarjeta de memoria. El Media Center PC usará el programa seleccionado para acceder a los contenidos de la tarjeta de memoria. Puede copiar archivos desde o hacia la tarjeta de memoria.

O

Si la función de reproducción automática no aparece de forma automática, haga clic en **Inicio**, y seleccione **Mi PC**, y haga doble clic en el icono de la tarjeta de memoria icono para mostrar sus contenidos.

3. Al terminar el uso de la tarjeta de memoria, haga clic con el botón derecho del ratón en el icono de la unidad y seleccione **Extracción**. Cuando la luz de actividad se detenga podrá retirar la tarjeta de memoria de su zócalo.

Nota:

No retire la tarjeta de memoria cuando la luz de actividad esté parpadeando. Si lo hace podría causar una pérdida de datos o dañar la tarjeta de memoria.




“DTS Conecte”, “DTS INTERACTIVE” y “DTS NEO:PC” son marcas registradas propiedad de DTS, Inc. “DTS” es una marca registrada propiedad de DTS, Inc.

Iniciando Windows XP Media Center

Puede disponer de un control total de Windows XP Media Center desde su teclado inalámbrico y el mando a distancia. Utilice el dispositivo que sea más cómodo para usted.

Puede iniciar Windows XP Media Center de cualquiera de las siguientes maneras:

- Inicie Windows XP Media Center desde el menú de inicio:
 - Haga clic en **Start**, and seleccione **Media Center** desde the Start menu.
- Inicie Window XP Media Center desde con el mando a distancia:
 - Pulse sobre el botón **Media Center**  en su mando a distancia.

Usando My TV

Puede controlar sus experiencias con su televisor con la función **MyTV**. Utilice **MyTV** para ver programas en directo, grabar programas, ver programas almacenados en memoria, ver programas grabados, ver información del programa, entre otras funciones.

Visualizando programas de televisión

1. En el mando a distancia, pulse el botón **TV**. El último canal visto aparecerá.
2. Utilice los botones de **Canal +/-** para cambiar los canales mientras vea televisión.

Grabando programas de televisión

1. Utilice los botones de **Canal +/-** o el teclado numérico para seleccionar el programa que desea grabar.
2. Pulse sobre el botón de **Grabación** en el mando a distancia para iniciar la grabación.

Reproduciendo programas grabados

My TV graba programas automáticamente en un buffer mientras visualiza televisión. Cuando hace una pausa en un programa en directo, **My TV** continua su grabación durante un máximo de 30 minutos para que pueda continuar su programa desde el punto en el que lo dejó.

1. Pulse sobre el botón **Pausa/ Detener** para hacer una pausa o detener un programa en directo y comenzar la grabación a buffer.
2. Pulse sobre el botón de **Reproducción** para continuar la visualización del programa desde que pulsó el botón **Pausa/Detener**.

Notas:

- Las función "far end live TV" en "Broadcast On-the-Go" varía según la región de acuerdo a su configuración de señal.
- El Copyright del software en el CD incluido pertenece a sus respectivos propietarios. ASUS no es responsable de proporcionar servicios de actualización o solución de problemas.

Usando My Music

My Music permite disfrutar de una experiencia musical completa. Puede escuchar CDs, ver información del artista, crear sus propias listas musicales, categorizarlos y escuchar la música según géneros, entre otras funciones.

Agregar CDs de música en la librería multimedia

1. Haga clic en **Inicio** y seleccione **Windows Media Player**.
2. Inserte el CD que desee agregar a la librería.
3. En la parte izquierda del reproductor multimedia, haga clic en **Copiar desde CD**, y haga clic en **Copiar música**.
4. Haga clic en **Agregar protección de copias a su música**, y marque la casilla junto a la declaración de copyright para continuar la copia de del CD a su Media Center PC.
5. Seleccione **Cambiar mi configuración de formato** o **Mantener mi configuración de formato**, y haga clic en **Terminar**. El CD será copiado a su disco duro.

Reproducción de música

1. Pulse sobre el botón de **Música** en el mando a distancia o acceda a la pantalla **My Music**.
2. Seleccione la música que desee escuchar a partir de su álbum, artista, lista, canción, o género.

Usando My Pictures

My Pictures hace de la administración de fotos una tarea fácil y divertida. Puede buscar imágenes de forma individual o reproducirlas como si fueran diapositivas con un fondo musical.

Visualizando imágenes

1. Pulse sobre el botón **Foto** en el mando a distancia para abrir la ventana **My Pictures** y sus carpetas de imágenes.
2. Utilice los cuatro botones de navegación para seleccionar la carpeta deseada y pulse **OK**. La carpeta se abrirá.
3. Seleccione la imagen que desee ver y pulse el botón **OK**.

Puede seleccionar la opción **Play slide show** en la barra lateral para reproducir las imágenes seleccionadas de forma continua.

Usando My Videos

My Videos permite ver, compartir, y organizar sus vídeos de forma fácil.

Visualizando videos

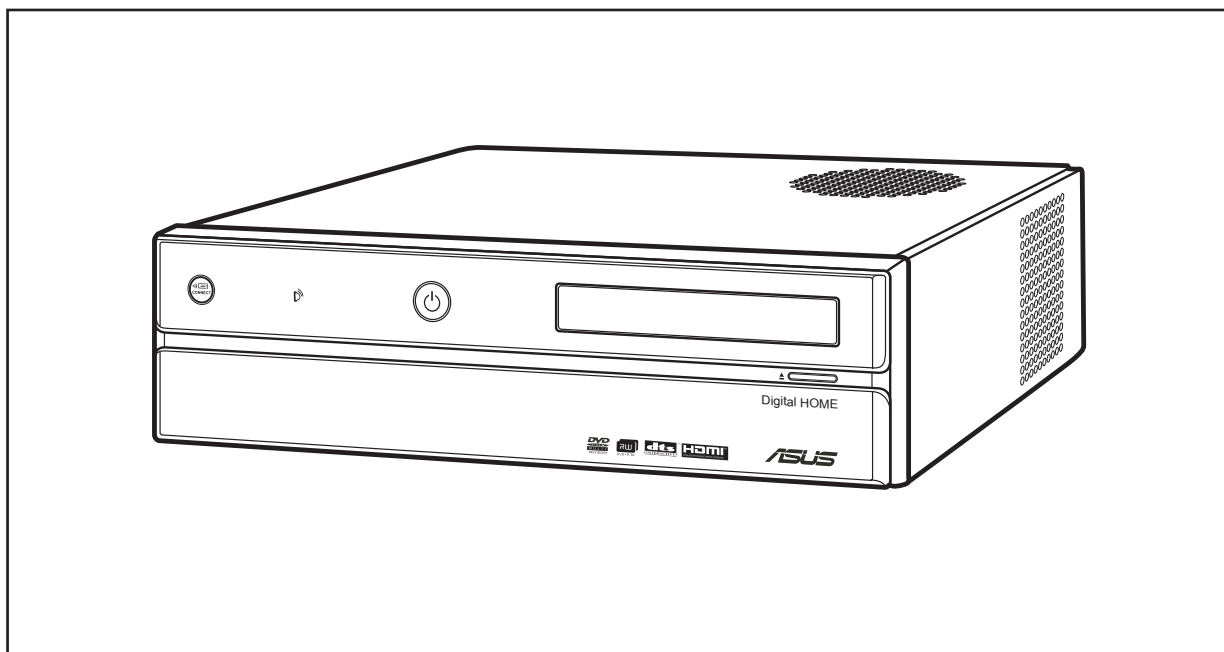
1. Pulse sobre el botón **Video** en el mando a distancia para abrir la ventana **My Videos** y sus carpetas de vídeos.
2. Utilice los cuatro botones de navegación para seleccionar la carpeta deseada y pulse **OK**. La carpeta se abrirá.
3. Seleccione el vídeo que desee ver y pulse el botón **OK**.

Especificaciones

Modelo	D22	D20
Sistema Operativo	Microsoft Windows XP Media Center Edition	
Inter ViiV	Inter ViiV v 1.5	
CPU	Intel Conroe E6300 1.86 GHz, FSB 1066/800 MHz, 2M Caché L2	
Chipset	Intel Broadwater P965 + ICHI8-DH	Intel Broadwater G965 + ICHI8-DH
Gráficos	NVIDIA nForce4 7600 series (256M, DDR3)	Intel GMA X3000
Memoria	1GB (DDR2 533 512M x 2), Canal dual	
Disco duro	250G SATA2, NCQ, 7200rpm	160G SATA2, NCQ, 7200rpm
Unidad óptica	16X DVD Dual Supermulti DL	
Sintonizador	Canal dual (2A/2D/1A1D) con Radio , PCI-E x 1	Híbrido con Radio (Analógica / Digital), PCI
Sistema inalámbrico	802.11b/g	
Red de área local	10/100/1000 Mbps	
Lector de tarjetas	13-en-1 zócalo CF: MD, CF tipo I & II zócalo MS: MS, MS pro, MS duo, MS pro duo zócalo SD/MMC: SD, Mini SD (Micro SD con adaptador), MMC, MMC4.x, RS MMC, RSM4.x (MMS mobile con adaptador)	
Zócalos de expansión	1 x PCI-E x 16, 2 x PCI-E x 1, 1 x PCI	
S-ATA	SATA II x 4, eSATA x 2	
Sonido	Intel High Definition Azalia, 7.1 canales	

Modelo	D22	D20
Panel frontal	USB 2.0 x 2, IEEE 1394 (4-pin) x1, puerto eSATA x 1, Conector para micrófono x 1, Conector para auriculares x 1, Lector de tarjetas 13-en-1 x 1	
Panel trasero	Puertos USB 2.0 x 4, puerto IEEE 1394 x 1, puertos eSATA x 1,	
	Puertos de salida de vídeo: HDMI x 1, puerto de Vídeo Componentes (Y/Pb/Pr) x 1, salida DVI x1 (para D22) , salida D-Sub x 1 (para D20), puerto para vídeo Compuesto (RGB) x 1, SCART x 1, adaptador DVI a D-Sub x 1 (para D22), adaptador HDMI a DVI x 1 (para D20)	
	Puertos de entrada de vídeo: Puerto para vídeo Compuesto (RGB) x 1 (con cable adaptador), puerto S-video x 1 (con cable adaptador), entrada de televisión x 2 (para D22), entrada de televisión x 1 (for D20)	
	Salida de sonido: 7.1 canales x 1, puerto S/PDIF x 1, conector coaxial x 1, puerto de video Compuesto (izquierdo/derecho) x 1 (con cable adaptador)	
	Entrada de sonido: Puerto de video Compuesto (izquierdo/derecho) x 1 (con cable adaptador)	
	Puerto Ethernet 10/100/1000 x 1	
Alimentación	275 W (PFC)	
Dimensiones	357 mm (ancho) x 95 mm (alto) x 398 mm (profundidad)	
<p>Las especificaciones están sujetas a cambios sin previo aviso. ASUS se reserva el derecho a reemplazar componentes, materiales y accesorios, proporcionando a sus clientes un servicio óptimo.</p> <p>Compruebe los contenidos de su embalaje con su punto de venta antes de comprar este dispositivo.</p>		

ASUS[®]



Медиацентр Asus Asteio

Руководство пользователя

Модель D22/ D20

Русский

Сервис и поддержка

Посетите наш сайт <http://www.asus.com>

Предисловие

Поздравляем с приобретением Медиacentра Asus Asteio. Тщательно прочитайте это руководство и сохраните его в безопасном месте для будущего использования.

О руководстве

Были приложены усилия для того, чтобы содержание этого руководства было правильным и обновленным. Однако, нет гарантии относительно точности его содержания и производитель оставляет за собой право вносить изменения без предварительного уведомления.

Авторские права

Никакая часть этого руководства, включая изделия и программное обеспечение, описанные в нем, не может быть дублирована, передана, преобразована, сохранена в системе поиска или переведена на другой язык в любой форме или любыми средствами, кроме документации, хранящейся покупателем с целью резервирования, без специального письменного разрешения производителя.

Продукты и названия корпораций, имеющиеся в этом руководстве могут быть зарегистрированными торговыми марками или авторскими правами соответствующих компаний, и используются только для идентификации или объяснения без намерений что-либо нарушить. Все торговые марки имеют своих законных владельцев.

Copyright © 2006. Все права защищены.

Примечание для установщиков кабельного телевидения (только для США)

Это напоминание предоставлено для привлечения внимания установщиков кабельного телевидения к разделу 820-93 National Electric Code, в котором предоставлены рекомендации для правильного заземления, в частности как экран коаксиального кабеля должен быть подключен к системе заземления дома и насколько близко от точки входа кабеля.

Безопасность

Ваш Asus Asteio Медиацентр спроектирован и протестирован для соответствия последним стандартам безопасности оборудования. Тем не менее, для безопасного использования продукта важно выполнять инструкции, приведенные в этом документе.

Установка системы

- Перед эксплуатацией вашего устройства прочитайте все нижеследующие инструкции.
- Не используйте устройство поблизости от воды или источника тепла, например радиатора.
- Устанавливайте систему на устойчивую поверхность.
- Отверстия в корпусе предназначены для вентиляции. Не закрывайте эти отверстия. Убедитесь, что для вентиляции вокруг системы имеется не менее 15 см (6 дюймов) свободного пространства. Не вставляйте объекты в вентиляционные отверстия устройства.
- Если вы используете удлинитель для устройства, убедитесь, что общая сила тока, подключенных через удлинитель устройств не превышает норму для удлинителя.
- Поскольку ваше устройство оборудовано ТВ-тюнером, при подключении кабеля или спутникового приемника убедитесь, что антенна или кабель электрически заземлены для обеспечения защиты от бросков напряжения и статического электричества.

Забота при использовании

- Не наступайте на шнур питания и не кладите ничего на него.
- Не проливайте воду или другую жидкость на ваш Медиацентр.
- Даже когда Медиацентр выключен, в нем остается электричество. Всегда перед очисткой системы всегда отключайте от нее питающие и модемные кабели.
- Отключите систему от розетки питания и вызовите обслуживающий персонал, если:
 - Шнур питания или розетка повреждены.
 - В систему попала вода.
 - Система неправильно работает.
 - Система упала.
 - Быстродействие системы изменилось.

Содержание

Предисловие	i
О руководстве	i
Авторские права.....	i
Безопасность.....	ii
Установка системы	ii
Забота при использовании.....	ii
Обзор	1
Возможности	1
Установка вашего Медиацентра	2
Планирование установки Медиацентра.....	2
Обзор Медиацентра.....	3
Вид спереди.....	3
Вид сзади.....	4
Соединения.....	8
Подключение сигнала к видеовходу	8
Подключение источника телесигнала в существующей конфигурации	10
Использование телевизора как монитора.....	12
Кабели для подключения к ТВ.....	12
Подключение к телевизору.....	12
Подключение инфракрасного приемника к внешнему устройству.....	16
Установка антенны для беспроводной сети.....	16
Установка цифровой ТВ/ FM антенны	17
Подключение цифровой видеокамеры	17
Подключение других устройств.....	18
Настройка колонок и звуковых опций	19
Конфигурация колонок.....	20
Подключение колонок	21
Подключение домашней аудиосистемы к Медиацентру.....	22
Настройка аудиопараметров	23
Настройка аудиопараметров с помощью мастера SoundMax	23
Настройка аудиопараметров с помощью Windows XP Media Center	24
Использование аппаратуры ПК	25
Использование беспроводной клавиатуры	25

Использование специальных кнопок	25
Установка элементов питания в клавиатуру	27
Использование пульта ДУ.....	28
Установка элементов питания в пульт	30
Использование кард-ридера	31
Руководство по установке карт памяти.....	31
Запуск Windows XP Media Center	33
Использование My TV	33
Просмотр телепрограмм	33
Запись телепрограмм	33
Просмотр записанных программ	33
Использование My Music	34
Добавление музыкальных CD в библиотеку	34
Воспроизведение музыки.....	34
Использование My Pictures	34
Просмотр фотографий.....	34
Использование My Videos	35
Просмотр видео	35
Спецификация	35

Обзор

Медиацентр Asus Asteio предоставляет богатые возможности для работы и развлечений. Вы можете запустить Windows XP Media Center при использовании других программ или использовать только Windows XP Media center в полноэкранном режиме без использования других программ. Используйте пульт ДУ Медиацентра так же, как вы используете пульт ДУ для других домашних систем. Вы можете использовать пульт ДУ для просмотра и записи телепрограмм, воспроизведения видео и музыки и просмотра фотографий.

Для запуска Windows XP Media Center и других программ используйте беспроводную клавиатуру и мышь.

Возможности

- AV развлечения
 - Просмотр и запись телепрограмм
 - Просмотр DVD и домашнего видео
 - Прослушивание музыкальных файлов
 - Просмотр и редактирование картинок
- Связь
 - Подключение беспроводных устройств
 - Виде и аудиоконференции (для этого требуется вебкамера и программа Skype.)
 - Поток данных разделяется на различные каналы
- Поддержка большого расстояния для беспроводной клавиатуры (30 футов)
- Кард-ридер 13-в-1 (MD, CF type I & II, MS, MS-Pro, MS-Duo, MS- Pro Duo, SD, Mini SD, MMC, MMC4.x, RS MMC, RSMMC4.x)

Установка вашего Медиацентра

Планирование установки Медиацентра

Перед установкой Медиацентра, потратьте несколько минут, чтобы убедиться, что все эти соединения доступны в том месте, которое вы выбрали.

- **Интернет-соединение**

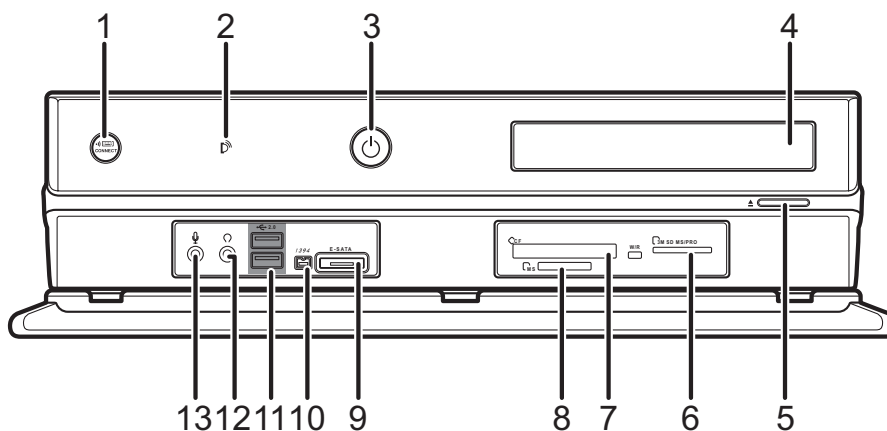
Вашему компьютеру нужно подключение к Интернет для обновления EPG (программы телепередач) и доступа в Интернет. Перед запуском установки программного обеспечения Windows XP Media Center убедитесь, что вы имеете коммутируемый или широкополосный доступ к Интернет. За дополнительной информацией по установке параметров интернет-подключения обратитесь к вашему интернет-провайдеру.

- **Video source**

Перед запуском Медиацентра убедитесь, что у вас есть источник видеосигнала. Медиацентр получает видеосигнал по коаксиальному или S-video кабелю. Обычно сигнал получают с антенны, прямого кабельного подключения или спутникового приемника.

Обзор Медицентра

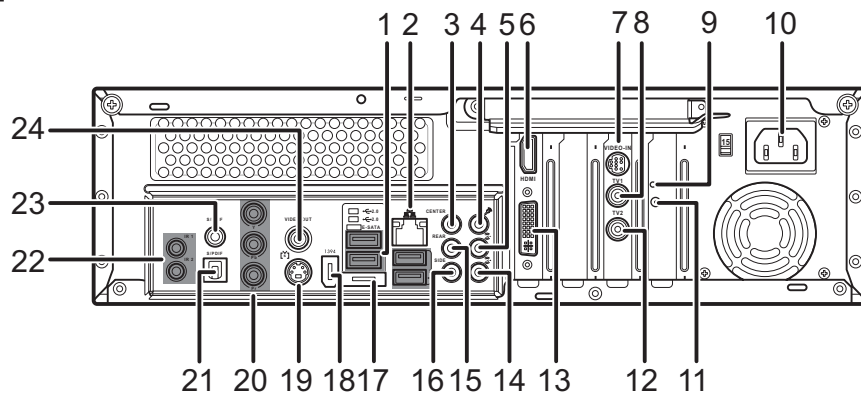
Вид спереди



Пункт	Компонент	Описание
1	Приемник сигнала	Используется для установки связи с беспроводной клавиатурой.
2	Инфракрасный приемник	Получает инфракрасные(ИК) сигналы с пульта ДУ.
3	Кнопка питания	Нажмите для включения или отключения ПК.
4	Записывающий CD-ROM/ DVD привод	Этот привод используется для прослушивания аудио компакт-дисков, установки игр и программ, просмотра DVD и записи файлов.
5	Кнопка извлечения CD/DVD	Нажмите эту кнопку для отрыва лотка CD/DVD.
6	SD/MMC Pro кард-ридер	Предназначен для переноса файлов с цифровых устройств в Медицентр используя карты памяти.
7	CompactFlash / MicroDrive кард-ридер	Предназначен для переноса файлов с цифровых устройств в Медицентр используя карты памяти.
8	MS кард-ридер	Предназначен для переноса файлов с цифровых устройств в Медицентр используя карты памяти.
9	E-SATA порт	Предназначен для подключения внешнего привода/диска.
10	IEEE 1394 порт	Предназначен для подключения устройств IEEE 1394, например цифровой видеокамеры.
11	2 порта USB	Предназначен для подключения USB устройств (например USB принтер, камера, сканер или клавиатура).
12	Разъем для наушников	Предназначен для подключения колонок или наушников.
13	Разъем для микрофона	Предназначен для подключения микрофона для записи звука.

Вид сзади

Asteio D22



Пункт	Компонент	Описание
1.	4 порта USB	Предназначен для подключения USB устройств (например USB принтер, камера, сканер или клавиатура).
2.	Ethernet разъем	Предназначен для подключения 10/100/1000 Ethernet сети.
3.	Разъем центрального канала (линейный выход)	Предназначен для подключения центральных колонок/ сабвуфера.
4.	Разъем микрофона	Предназначен для подключения микрофона для записи звука.
5.	Разъем передних колонок	Предназначен для подключения передних колонок.
6.	HDMI	Предназначен для подключения HDMI (мультимедийный интерфейс высокого разрешения) устройств.
7.	Видеовход	Предназначен для подключения видеисточника.
8.	TV 1	Предназначен для подключения коаксиального кабеля.
9.	Индикатор	Показывает работу беспроводной карты.
10.	Разъем питания	Предназначен для подключения шнура питания.
11.	Разъем WIFI антенны	Предназначен для подключения WIFI антенны.
12.	TV 2	Предназначен для подключения коаксиального кабеля.
13.	DVI порт	Предназначен для подключения цифрового ТВ/монитора.
14.	Разъем аудиовхода	Предназначен для подключения аналогового аудиоустройства, например CD проигрывателя.
15.	Разъем задних колонок	Предназначен для подключения задних колонок.
16.	Разъем боковых колонок	Предназначен для подключения боковых колонок.
17.	E-SATA порт	Предназначен для подключения внешнего привода/диска.
18.	IEEE 1394 порт	Предназначен для подключения устройств IEEE 1394, например цифровой видеокамеры.

Пункт	Компонент	Описание
19.	Разъем S-video Out	Предназначен для подключения S-video устройства, например ТВ.
20.	Разъем компонентного видео	Предназначен для подключения видеомэгнитофона, игровой приставки или DVD проигрывателя.
21.	Разъем S/PDIF(оптический)	Предназначен для подключения цифровых аудиоустройств с помощью цифрового (Toslink) аудиокабеля.
22.	2 ИК порта	Предназначен для подключения ИК датчика для работы с пультом ДУ.
23.	Разъем S/PDIF(RCA)	Предназначен для подключения цифровых аудиоустройств с помощью цифрового RCA кабеля.
24.	Разъем Video Out	Предназначен для подключения ТВ.

Примечание:

Для выбора входного сигнала с TV1 и TV2 используйте программное обеспечение TVConfig.

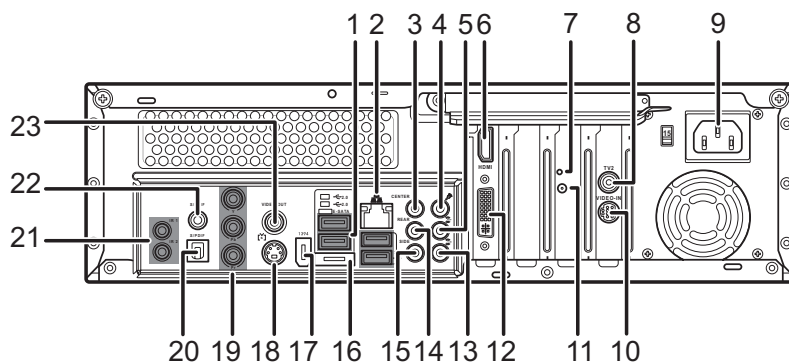
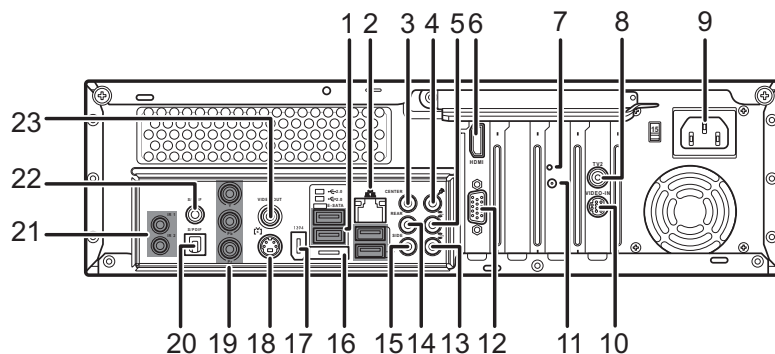
Настройте ТВ параметры, используя функцию Asus TVConfig в вашем Медиацентре. Откройте программу Asus TVConfig, щелкнув по иконке на рабочем столе или через меню Start-> Programs... Выберите устройство из выпадающего списка и соответственно проверьте параметры Analog TV, FM и DVBT.



Примечание:

Функция TVConfig доступна только в D22.

Asteio D20

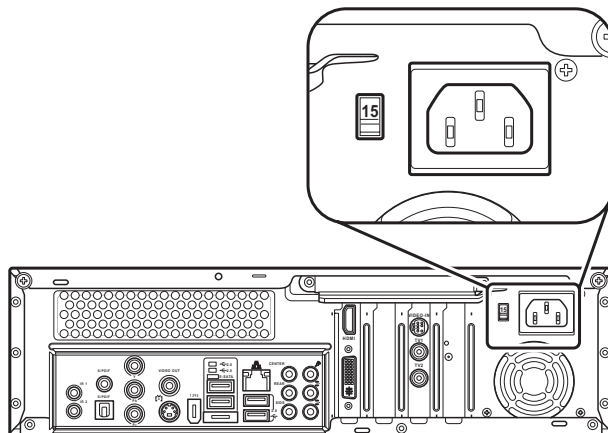


Пункт	Компонент	Описание
1.	4 порта USB	Предназначен для подключения USB устройств (например USB принтер, камера, сканер или клавиатура).
2.	Ethernet разъем	Предназначен для подключения 10/100/1000 Ethernet сети.
3.	Разъем центрального канала (линейный выход)	Предназначен для подключения центральных колонок/сабвуфера.
4.	Разъем микрофона	Предназначен для подключения микрофона для записи звука.
5.	Разъем передних колонок	Предназначен для подключения передних колонок.
6.	HDMI	Предназначен для подключения HDMI (мультимедийный интерфейс высокого разрешения) устройств.
7.	Индикатор	Показывает работу беспроводной карты.
8.	TV	Предназначен для подключения коаксиального кабеля.
9.	Разъем питания	Предназначен для подключения шнура питания.
10.	Видеовход	Предназначен для подключения видеисточника.

Пункт	Компонент	Описание
11.	Разъем WIFI антенны	Предназначен для подключения WIFI антенны.
12.	Разъем VGA/ DVI	Предназначен для подключения VGA монитора. Предназначен для подключения цифрового ТВ/монитора
13.	Разъем аудиовхода	Предназначен для подключения аналогового аудиоустройства, например CD проигрывателя.
14.	Разъем задних колонок	Предназначен для подключения задних колонок.
15.	Разъем боковых колонок	Предназначен для подключения боковых колонок.
16.	E-SATA порт	Предназначен для подключения внешнего привода/диска.
17.	IEEE 1394 порт	Предназначен для подключения устройств IEEE 1394, например цифровой видеокамеры.
18.	Разъем S-video Out	Предназначен для подключения S-video устройства, например ТВ.
19.	Разъем компонентного видео	Предназначен для подключения видеомagniтофона, игровой приставки или DVD проигрывателя.
20.	Разъем S/PDIF(оптический)	Предназначен для подключения цифровых аудиоустройств с помощью цифрового (Toslink) аудиокабеля.
21.	2 ИК порта	Предназначен для подключения ИК датчика для работы с пультом ДУ.
22.	Разъем S/PDIF(RCA)	Предназначен для подключения цифровых аудиоустройств с помощью цифрового RCA кабеля.
23.	Разъем Video Out	Предназначен для подключения ТВ.

Примечания:

- Разъемы могут отличаться в зависимости от купленной модели.
- Перед включением Медицентра убедитесь, что напряжение в сети соответствует рекомендуемому производителем. Проверьте положение переключателя напряжения, который расположен слева от разъема питания.



Соединения

Подключение источника телесигнала

Ваш Медицентр имеет разъемы Video-In и коаксиальный(TV). Выберите разъем, соответствующий вашему источнику:

• Вывод

Видеосигнал, который обеспечивает высокое качество изображения для Медицентра. Если вы используете Video-In, вам также нужно подключить аудиоисточник к RCA стереоразъемам.

• Коаксиальный (TV вход)

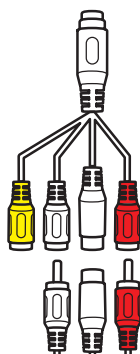
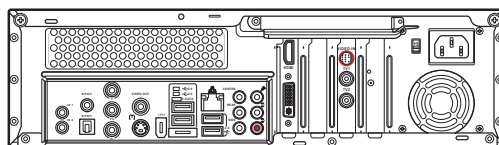
Видео и аудиосигналы отправляемые в одном кабеле. Коаксиальный кабель- легкий способ подключения кабельного телевидения или антенны к вашему Медицентру.

Примечание:

В МСЕ если устройство установлено для приема цифрового телевидения, аналоговое телевидение и FM радио будут отключены и наоборот.

Подключение сигнала к видеовходу

1. Подключите видеокабель от источника видео, например игровой приставки, спутникового приемника или другого видеоустройства к поставляемому переходнику. Затем подключите его к видеовходу на задней панели вашего Медицентра.
2. Подключите RCA кабель к разъемам аудиовыхода на источнике видео и к аудиовходу(красный) на задней панели Медицентра.

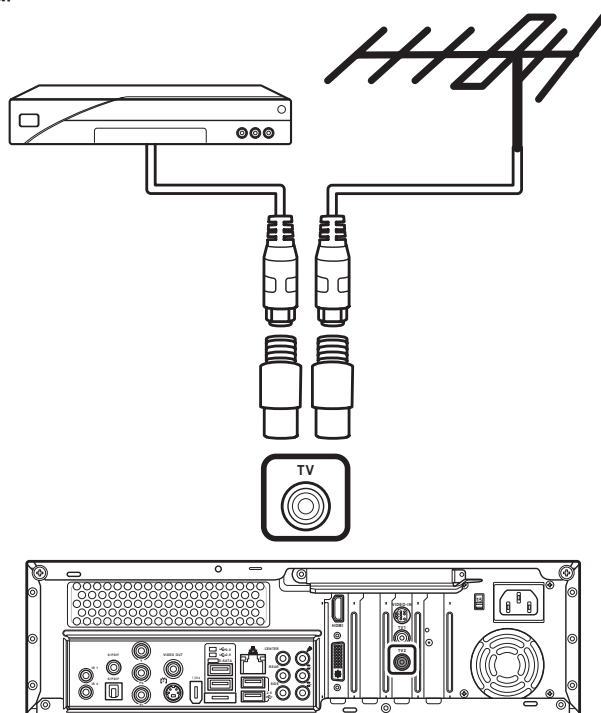


Примечание:

Для подключения RCA кабелей вам нужно использовать RCA переходник.

Подключение сигнала к TV входу

Подключите коаксиальный кабель (не входит в комплект поставки) от источника видео, например кабельного телевидения, игровой приставки, спутникового приемника или антенны к TV разъему на задней панели вашего Медиацентра.



Настройте ТВ параметры, используя функцию Asus TVConfig в вашем Медиацентре. Откройте программу Asus TVConfig, щелкнув по иконке на рабочем столе или через меню Start-> Programs... Выберите устройство из выпадающего списка и соответственно проверьте параметры Analog TV, FM и DVBT.



TVConfig

Примечание:

Функция TVConfig доступна только в D22.



Подключение источника телесигнала в существующей конфигурации

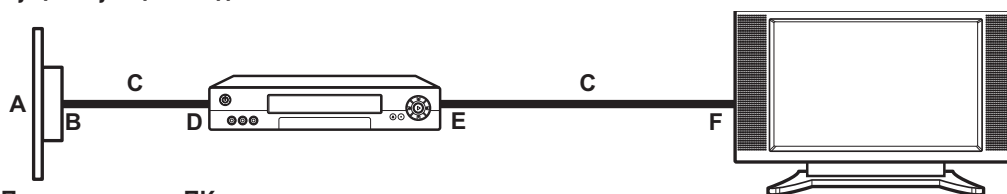
В этом разделе описано как подключить Медиацентр к существующей конфигурации.

Подключение к видеомаягнитофону и телевизору, используя коаксиальный кабель

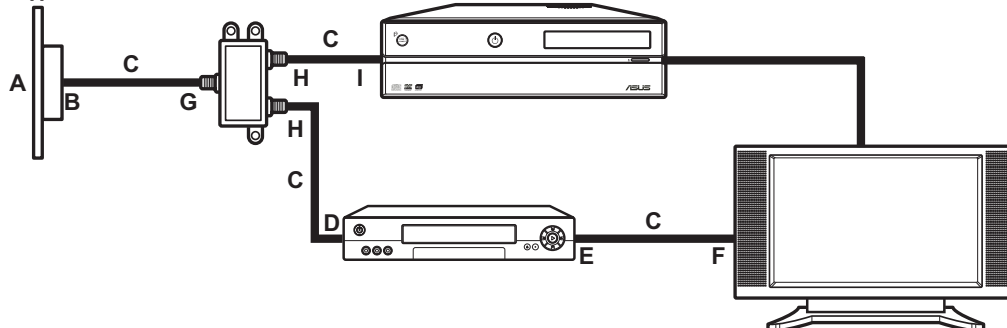
Отключите коаксиальный кабель от входа видеомаягнитофона и подключите его к входу сплиттера (не входит в комплект поставки). Подключите два коаксиальных кабеля к выходу сплиттера.

Подключите один из кабелей к входу видеомаягнитофона, а другой к TV разъему на задней панели Медиацентра.

Существующее соединение



Подключение к ПК



- A Стена
- B Кабельная розетка
- C Коаксиальный кабель
- D Вход видеомаягнитофона
- E Выход видеомаягнитофона
- F Вход TV
- G Вход сплиттера
- H Выход сплиттера
- I Разъем TV на задней панели Медиацентра

Примечание:

Сплиттер не входит в комплект поставки.

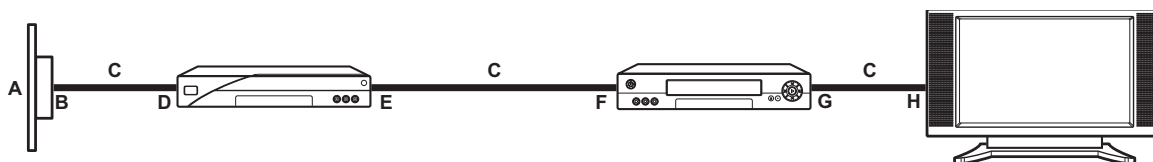
Подключение к видеоприставке, спутниковому приемнику видеомагнитофону и телевизору, используя коаксиальный кабель

Отключите коаксиальный кабель от входа видеомагнитофона и подключите его к входу сплиттера (не входит в комплект поставки). Подключите два коаксиальных кабеля к выходу сплиттера.

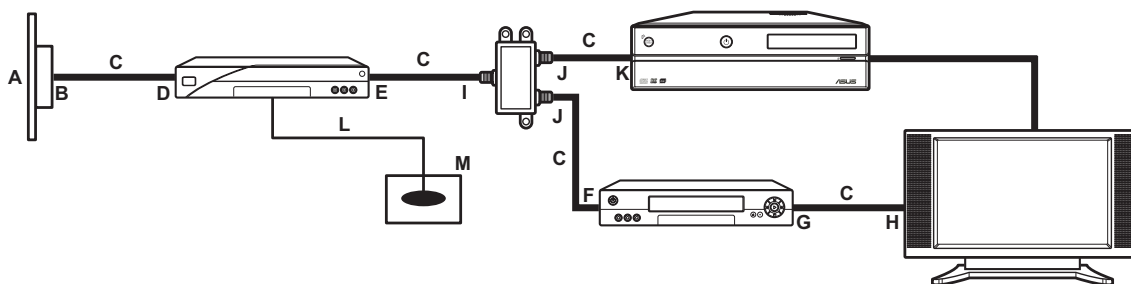
Подключите один из кабелей к входу видеомагнитофона, а другой к TV разъему на задней панели Медицентра .

Примечание: Подключите вашу приставку с помощью коаксиального кабеля.

Существующее соединение



Подключение к ПК



- A Стена
- B Кабельная розетка
- C Коаксиальный кабель
- D Вход приставки/спутникового приемника
- E Выход приставки/спутникового приемника
- F Вход видеомагнитофона
- G Выход видеомагнитофона
- H Вход TV
- I Вход сплиттера
- J Выход сплиттера
- K Разъем TV на задней панели Медицентра
- L Кабель датчика ДУ
- M Датчик ДУ

Примечание:

Сплиттер не входит в комплект поставки.

Использование телевизора как монитора

ТВ-выход вашего ПК позволяет вам подключать к нему телевизор для просмотра изображений телеэкране. ТВ-выход позволяет вам просматривать изображения, смотреть фильмы DVD или играть в игры на вашем телевизоре.

Кабели для подключения к ТВ

Для подключения вашего Медиацентра к телевизору, вам нужно использовать видеокабель и аудиокабель. Тип требуемого видеокабеля зависит от модели вашего телевизора.

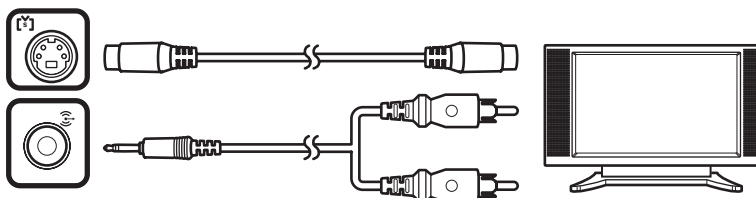
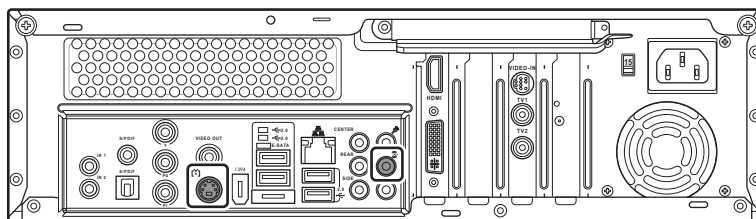
Вы можете подключить Медиацентр к телевизору одним из следующих способов:

- S-video со стереозвуком
- Компонентное видео (YPbPr) со стереозвуком
- Video со стереозвуком
- DVI со стереозвуком
- HDMI
- SCART
- Переходник DVI -> VGA со стереозвуком

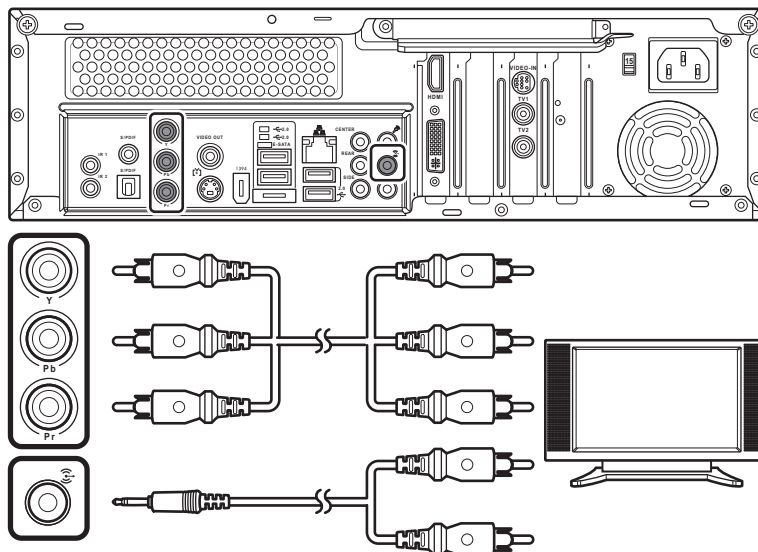
Подключение к телевизору

1. Выключите Медиацентр.
2. Подключите кабель к телевизору, используя один из следующих способов, в зависимости от разъемов на вашем телевизоре.

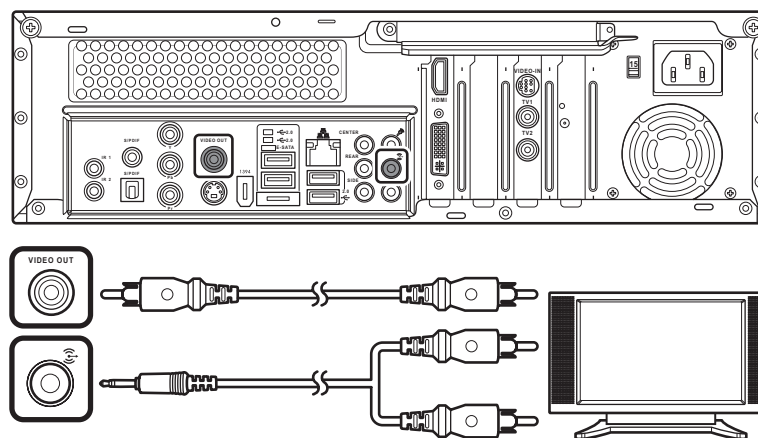
Если на вашем телевизоре есть разъем **S-video**, подключите S-video кабель к разъему **S-video In** на телевизоре и к разъему **S-video Out** на задней панели Медиацентра.



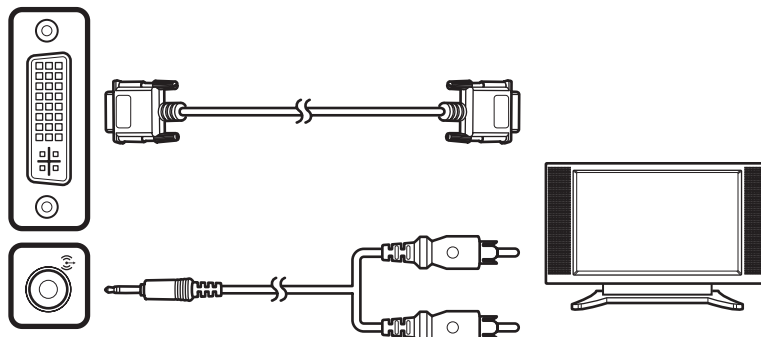
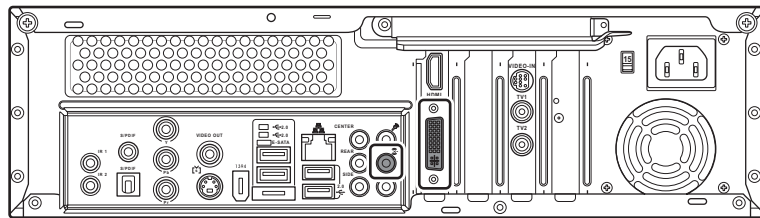
Если на вашем телевизоре есть разъем **компонентное видео**, подключите соответствующий кабель к этому разъему на телевизоре и к разъему **компонентное видео** на задней панели Media Center PC.



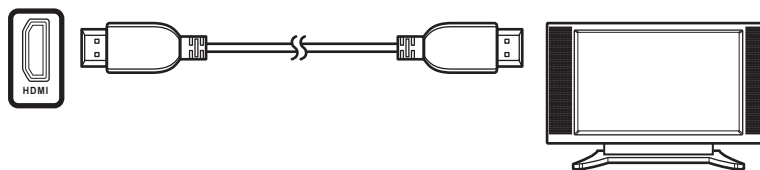
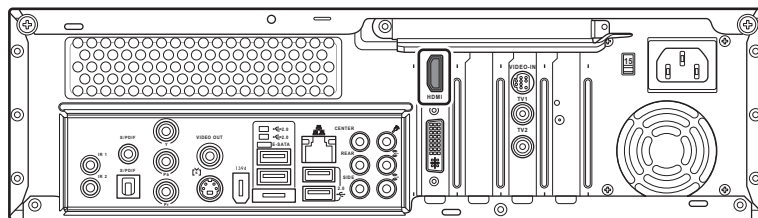
Если на вашем телевизоре есть разъем **вход видео**, подключите соответствующий кабель к разъему **вход видео** на телевизоре и разъему **выход видео** на задней панели Media Center PC.



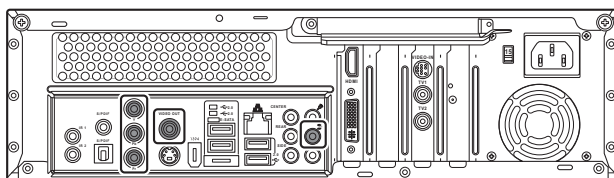
Если на вашем телевизоре есть разъем **DVI** подключите DVI кабель к DVI разъемам телевизора и Медицентра.



Если на вашем телевизоре есть разъем HDMI, подключите HDMI кабель к разъемам HDMI на телевизоре и Медицентре.

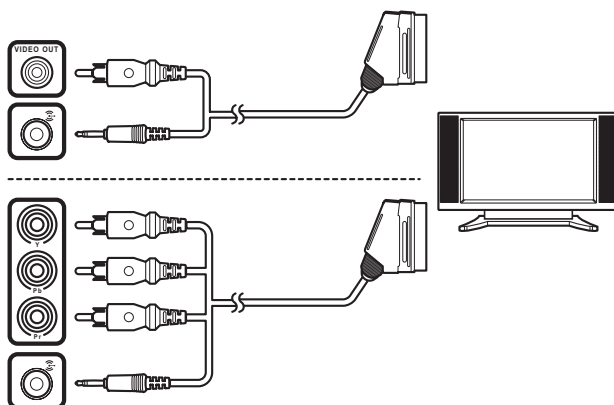


Если на вашем телевизоре есть разъем SCART, подключите SCART/компонитный видеокабель к разъему SCART на телевизоре и разъемам видеовыход и линейный выход (зеленый) на задней панели Медицентра. Вы также можете подключить Медицентр к телевизору, используя SCART/компонентный видеокабель, как показано ниже.

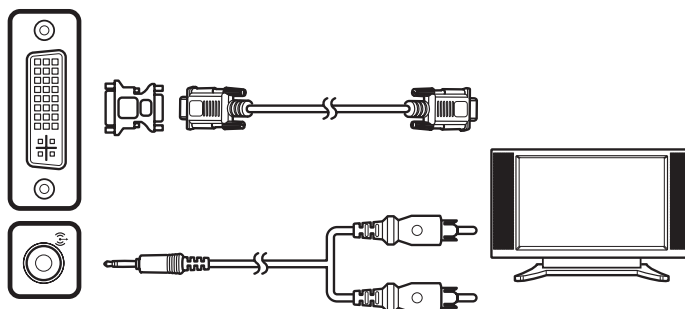
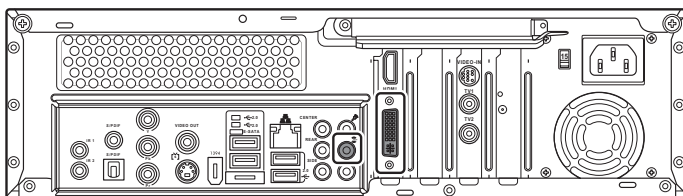


Примечание:

Кабели показаны только для примера. Купленные кабели могут отличаться.



Если на вашем телевизоре есть разъем VGA, сначала подключите переходник VGA-> DVI на заднюю панель Медицентра (только для Asteio D22), а затем подключите ПК к телевизору, используя VGA кабель.



3. Включите телевизор и выберите видеоисточник **TV In** или **PC** в соответствии с моделью вашего телевизора.

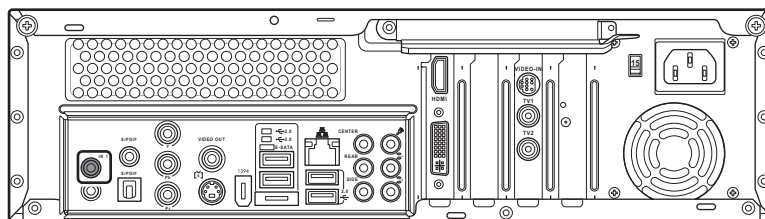
Примечание:

Отверстия на корпусе компьютера предназначены для вентиляции. Не закрывайте их.

Подключение инфракрасного приемника к внешнему устройству

Для подключения внешнего устройства, например видеоприставки или монитора, сделайте следующее:

1. Подключите один конец ИК кабеля к ИК порту на задней панели Медиацентра.
2. Подключите другой конец ИК кабеля к видеоприставке, как показано.



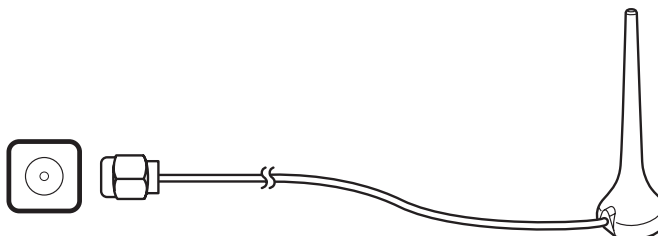
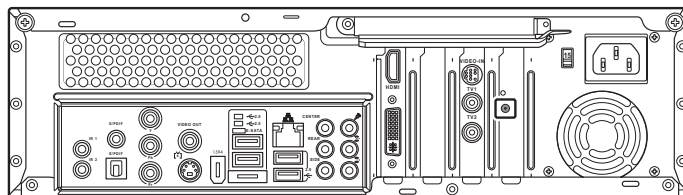
Примечание:

Для подключения имеется два свободных ИК порта.

Установка антенны для беспроводной сети

Для подключения внешней антенны к беспроводной сетевой карте сделайте следующее:

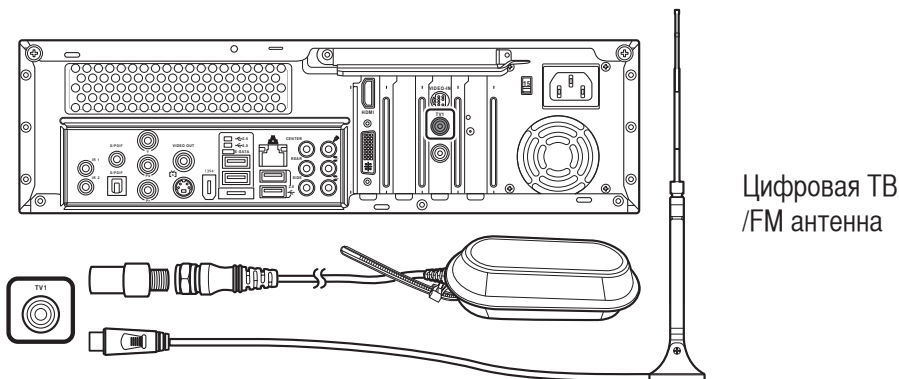
1. Подключите поставляемую антенну к соответствующему разъему на задней панели Медиацентра.
2. Мигание индикатора указывает на прием сигнала.



Установка цифровой ТВ/ FM антенны

Для подключения цифровой ТВ /FM антенны сделайте следующее:

1. Подключите к цифровой ТВ /FM антенне поставляемый NTSC ->PAL переходник.
2. Подключите цифровую ТВ /FM антенну к разъему TV на задней панели Медиацентра.



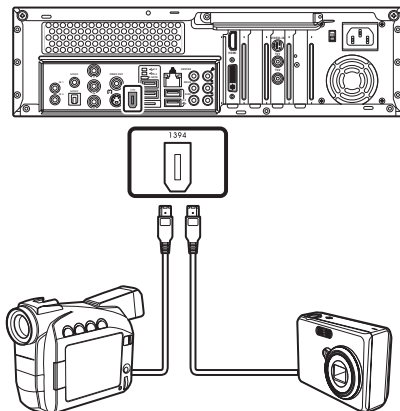
Примечания:

- Антенны показаны исключительно в ознакомительных целях. Антенна в комплекте может отличаться.
- Качество принимаемого антенной сигнала для разных регионов может отличаться.

Подключение цифровой видеокамеры

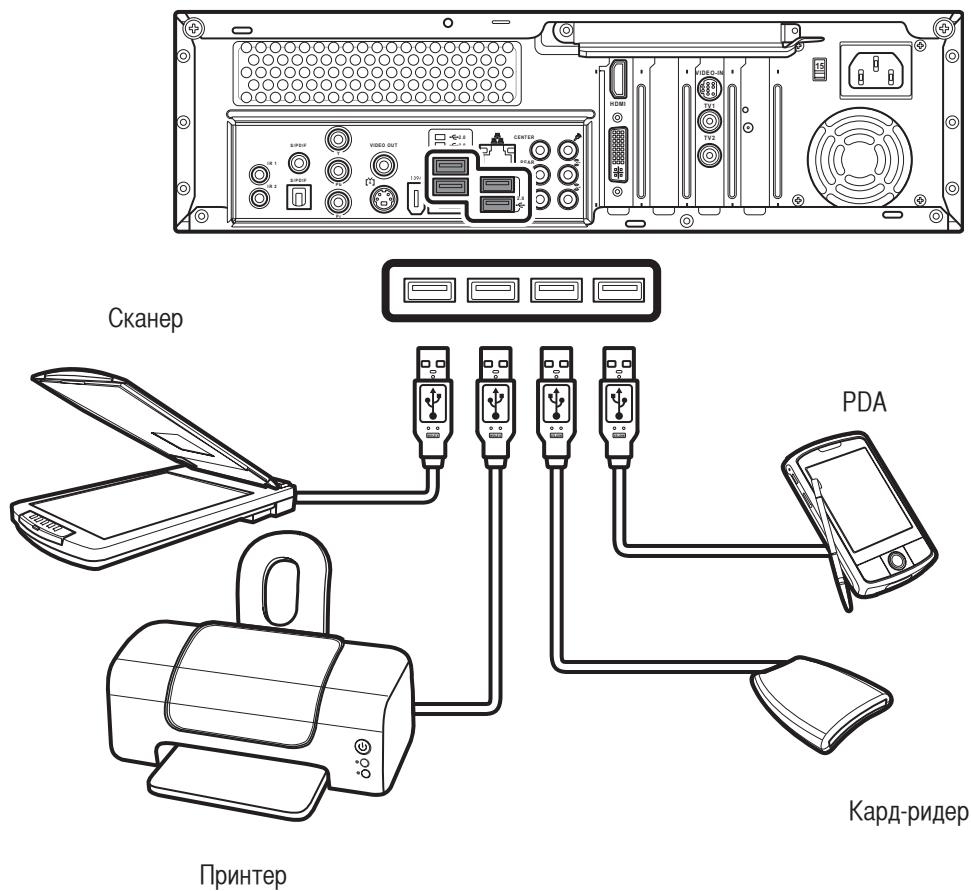
Для подключения цифровой камеры сделайте следующее:

1. Включите Медиацентр и дождитесь загрузки Windows XP.
2. Подключите кабель к камере и к порту USB или IEEE 1394 (FireWire) на вашем Медиацентре.
3. Появится сообщение **Найдено новое устройство**. Следуйте инструкциям для установки нового устройства. По завершении установки появится сообщение, что камера готова к использованию.



Подключение других устройств







Другие периферийные устройства, например принтер, сканер, кард-ридер и PDA также можно подключить к Медиацентру.



Настройка колонок и звуковых опций

Asus Медиацентр поддерживает различные звуковые опции, подключения и конфигурацию колонок. Вы можете установить ваш ПК для использования двух стереоколонок или многоканальной аудиосистемы. Подключите вашу акустическую систему к ПК и настройте программное обеспечение для выхода звука.

Asus Медиацентр имеет шесть звуковых разъемов на задней панели. Вы можете подключить аудиосистему 7.1 к ПК.

Звуковой разъем	Описание
	Выход для боковых колонок (серый) предназначен для подключения боковых колонок в восьмиканальной аудиосистеме. (7.1)
	Выход для центрального канала (оранжевый) предназначен для подключения центральных колонок/сабвуфера в многоканальной аудиосистеме.
	Выход для задних колонок (черный) предназначен для подключения тыловых колонок в многоканальной аудиосистеме.
	Линейный выход (зеленый) предназначен для подключения передних колонок.
	Линейный вход (красный) предназначен для подключения аналогового аудиоустройства, например CD проигрывателя.
	Микрофон (голубой) предназначен для подключения микрофона.

Конфигурация колонок

Медиацентр поддерживает следующие конфигурации колонок:

Название	Аудиосистема
Наушники	Нет.
2 (стерео)	Левая колонка, правая колонка.
2.1	Левая колонка, правая колонка и сабвуфер.
4.1	Две передних колонки, две тыловых колонки и сабвуфер.
6/ 5.1	Две передних колонки, две тыловых колонки, центральная колонка и сабвуфер.
8/ 7.1	Две передних колонки, две тыловых колонки, две боковые колонки, центральная колонка и сабвуфер.
Домашняя аудиосистема	Домашняя стереосистема с пассивными колонками.

Типы колонок

Ваш ПК поддерживает только активную (питаемую) акустическую систему. Активная акустическая система должна иметь собственный источник питания. Домашняя акустическая система не требует активных колонок поскольку получает сигнал от усилителя.

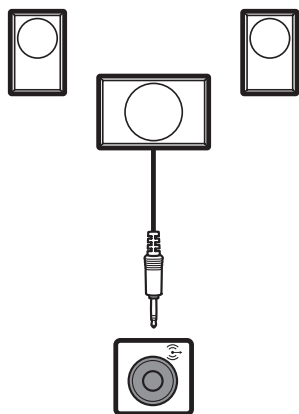
Стереокolonки имеют левый правый канал. Многоканальная аудиосистема имеет левый и правый передние каналы, левый и правый задние каналы, может включать сабвуфер и центральный канал. В более сложных системах имеются боковые каналы. Сабвуфер предназначен для воспроизведения низких частот.

“.1” указывает на сабвуфер. Например, 7.1 означает восемь колонок, две передние колонки (левая-правая), две боковых колонки (левая-правая), две задних колонки (левая-правая), центральная колонка и сабвуфер.

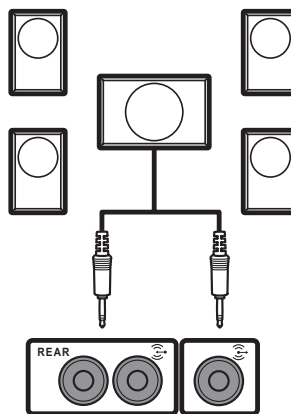
Подключение колонок

Подключайте колонки к Медиацентру, руководствуясь нижеследующими рисунками. После подключения колонок к ПК, настройте аудиопараметры вашего Медиацентра.

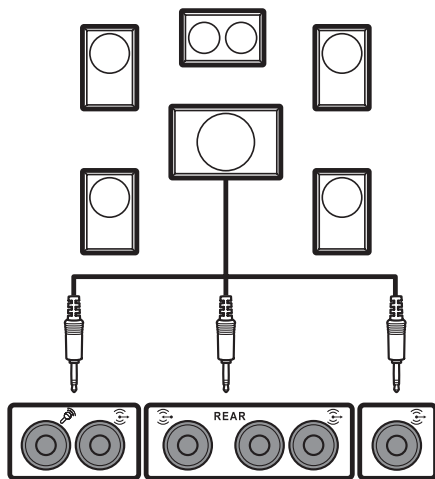
2 колонки



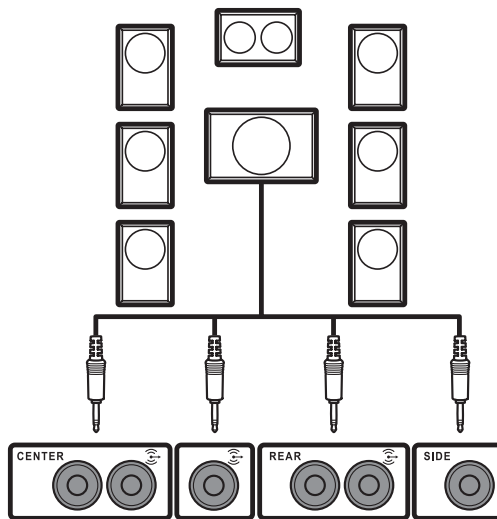
4 колонки



5 колонок и сабвуфер



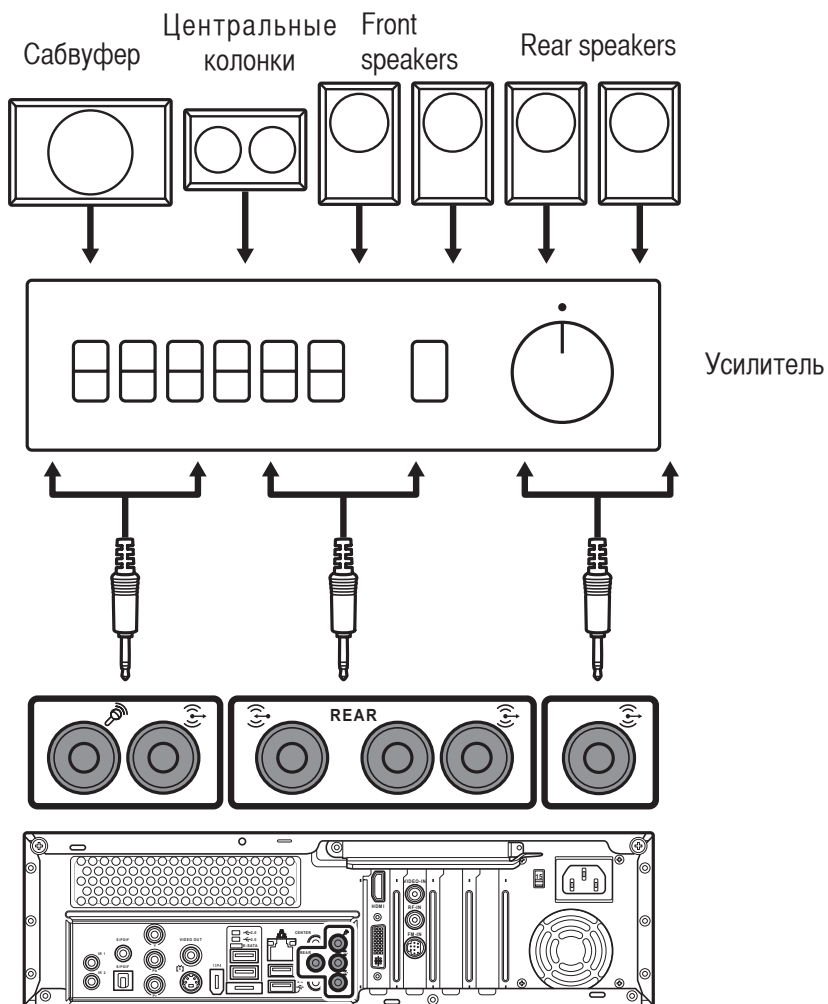
7 колонок и сабвуфер



Подключение домашней аудиосистемы к Медиацентру

К Медиацентру можно подключить вашу домашнюю аудиосистему или многоканальный усилитель с колонками.

Большинство усилителей имеют RCA-разъемы. Возможно для подключения усилителя к медиацентру вам понадобится переходник.



Настройка аудиопараметров


Вы можете настроить аудиопараметры с помощью программного обеспечения SoundMax или программного обеспечения, установленного в вашем Медиацентре.

Настройка аудиопараметров с помощью мастера SoundMax

После подключения колонок к Медиацентру, следуйте нижеследующим инструкциям для настройки аудиопараметров:







1. Нажмите **Start** в панели задач для запуска стартового меню Windows.
2. Нажмите **All Programs**.
3. Для открытия программы выберите **SoundMax**. Появится окно SoundMax с одним или несколькими экранами.



4. Для настройки аудиопараметров для вашей акустической системы нажмите на иконку Audio Wizard  в панели задач.
5. Из выпадающего списка выберите количество колонок в вашей системе.
6. Появится окно настройки громкости. Установите громкость для каждой колонки с помощью ползунка или сразу установите громкость для всех колонок.
7. Нажмите **Next**. Появится экран настройки громкости микрофона. Для проверки микрофона нажмите **Microphone Test**, затем нажмите **Next**.
8. Для выхода из мастера нажмите **Finish**.

Использование панели задач SoundMax

Окно SoundMax имеет следующие функции:

1.  Audio Wizard: Нажмите для открытия окна Audio Wizard и настройки параметров.
2.  Настройки по умолчанию: Нажмите для установки параметров по умолчанию.
3.  Предпочитаемые параметры: Нажмите для открытия окна с предпочитаемыми параметрами и настройки необходимых параметров.
4.  Громкость: Нажмите для показа/скрытия окна регулировки громкости.
5.  Запись: Нажмите для показа/скрытия окна записи.
6.  Помощь: Нажмите для показа окна помощи.

Настройка аудиопараметров с помощью Windows XP Media Center

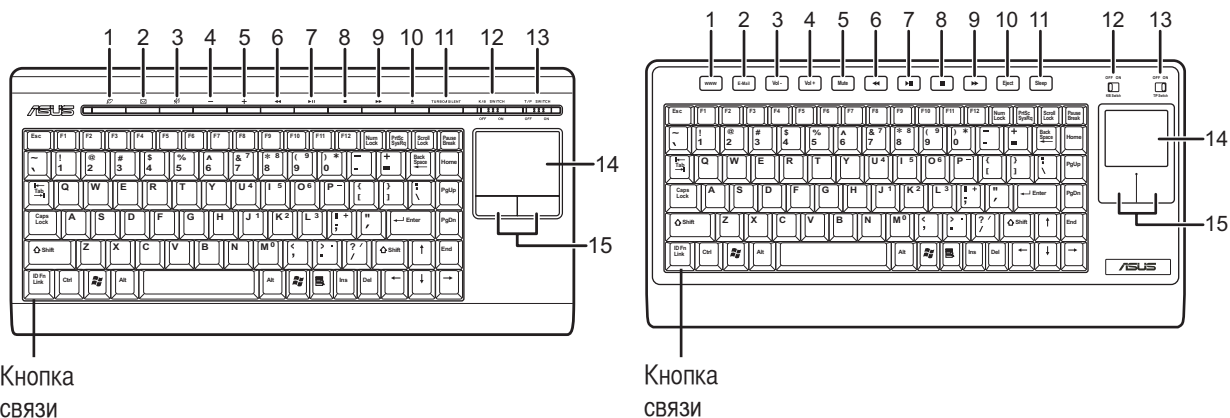
1. Нажмите **Start** в панели задач для запуска стартового меню Windows.
2. Нажмите **All Programs**.
3. Выберите программу **Windows XP Media Center**. Появится окно Windows XP Media Center.
4. В главном меню выберите **Settings**.
5. Выберите **Speaker Configuration** и нажмите **Next**.
6. Выберите количество колонок в системе и нажмите **Next**.
7. Проверьте выход на колонки. Выберите test outcome и нажмите **Next**.
8. Для выхода нажмите **Finish**.

Использование аппаратуры ПК

Использование беспроводной клавиатуры

Ваш Медиацентр имеет беспроводную клавиатуру со встроенным приемопередатчиком. Свет в правом верхнем углу клавиатуры указывает на работу приемопередатчика.

Использование специальных кнопок



Кнопка связи

Кнопка связи

Специальные кнопки на клавиатуре указаны в нижеследующей таблице.

Пункт	Функция	Описание
1.	Интернет	Нажмите для открытия браузера.
2.	Почта	Нажмите для открытия почтовой программы.
3.	Отключить звук	Нажмите для отключения звука.
4.	Уменьшить громкость	Нажмите для уменьшения громкости.
5.	Увеличить громкость	Нажмите для увеличения громкости.
6.	Перемотка	Нажмите для перемотки медиа-файла.
7.	Воспроизведение/Пауза	Нажмите для воспроизведения или паузы медиа-файла.
8.	Стоп	Нажмите для остановки воспроизведения медиа-файла.
9.	Перемотка	Нажмите для перемотки медиа-файла.
10.	Открыть лоток	Нажмите для открытия лотка.
11.	Турбо/тихо	Нажмите для переключения режимов турбо/тихо
12.	Питание клавиатуры	Нажмите для включения/отключения клавиатуры.
13.	Питание тачпэд	Включает/отключает тачпэд.
14.	Тачпэд	Позволяет перемещать курсор, передвигая палец по поверхности.
15.	Левая/правая кнопки	Действуют как левая/правая кнопки мыши.

Примечание:

Клавиатуры показаны только в целях ознакомления. Клавиатура в комплекте может отличаться.

Примечание:

- Если Медицентр не обнаружил беспроводную клавиатуру, нажмите кнопку **Connect** в верхнем левом углу передней панели и кнопку **Связь** в нижнем левом углу клавиатуры.

- Медицентр имеет два режима работы:

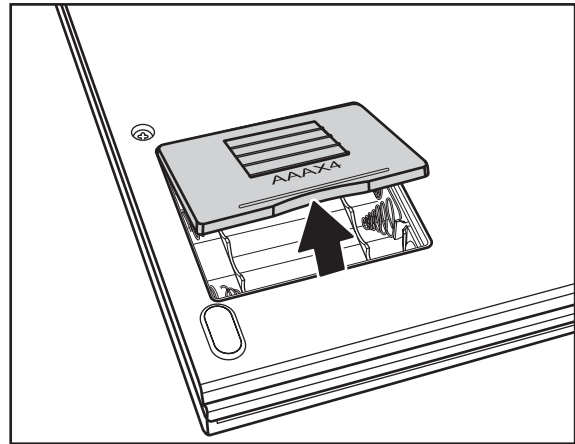
Тихий режим: В тихом режиме система автоматически уменьшает скорость CD-ROM, процессора и GPU. Это позволяет пользователю работать в тишине. Это режим по умолчанию.

Турборежим: В турборежиме система для достижения оптимального быстродействия использует высокую скорость CD-ROM, процессора и GPU. Это идеально для высокопроизводительных задач, например видеоигры.

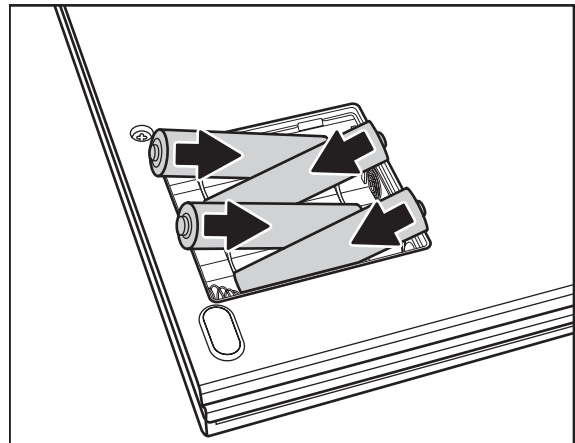
- Беспроводная клавиатура имеет режим энергосбережения. Когда беспроводная клавиатура не используется больше трех минут, она переходит в режим энергосбережения. Для возврата в нормальный режим нажмите любую клавишу (исключая тачпэд с кнопками). (в режиме энергосбережения, использование батареи составляет 1.88% от нормального режима)

Установка элементов питания в клавиатуру

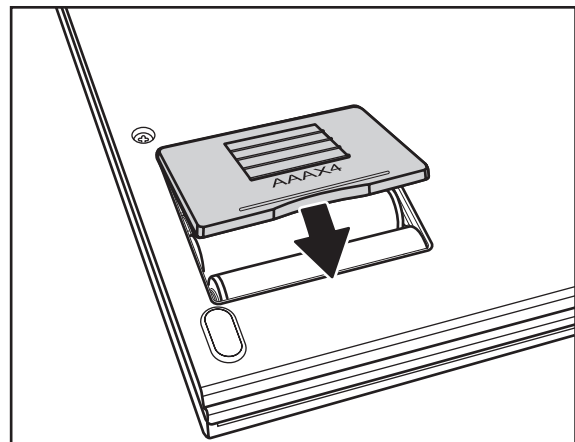
1. Откройте батарейный отсек, расположенный на нижней стороне клавиатуры.



2. Вставьте батарейки в отсек, соблюдая полярность.



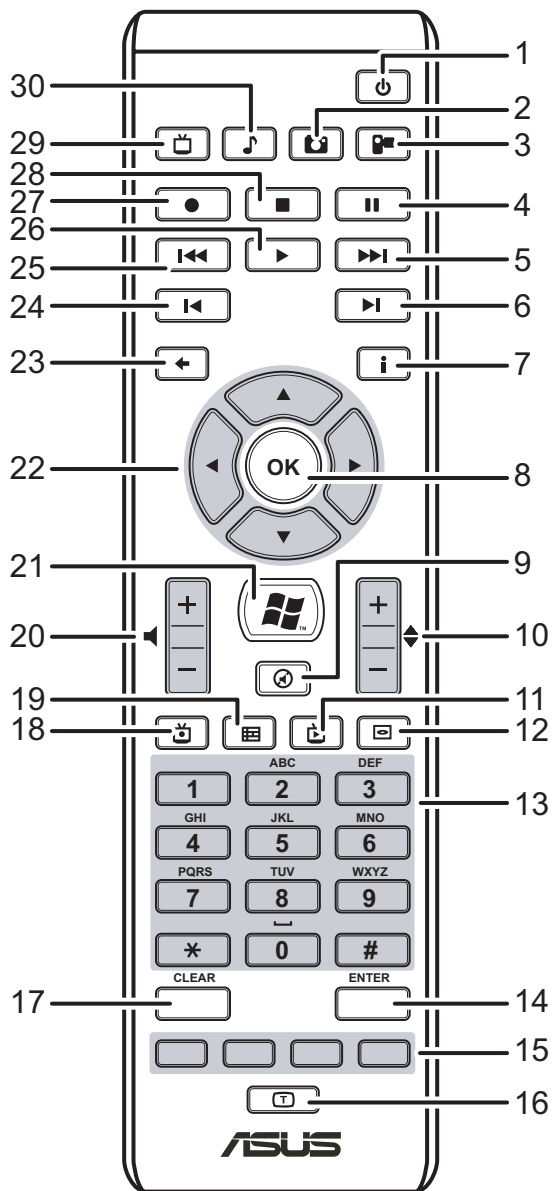
3. Закройте крышку отсека.



Использование пульта ДУ

Используйте пульт ДУ для запуска программ Windows XP Media Center, просмотра и записи телепередач, просмотра предварительно записанных программ или других медиафайлов например музыки, видео.

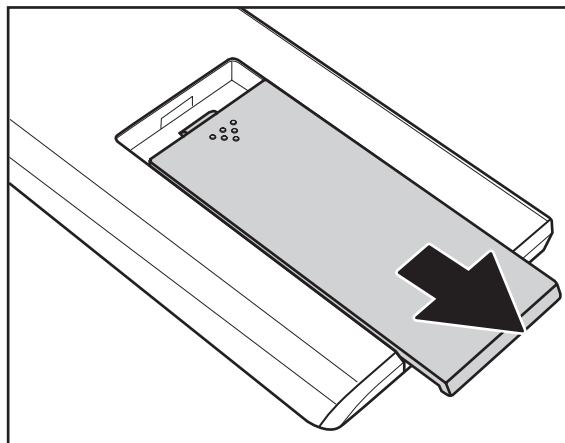
Назначение кнопок пульта описано ниже.



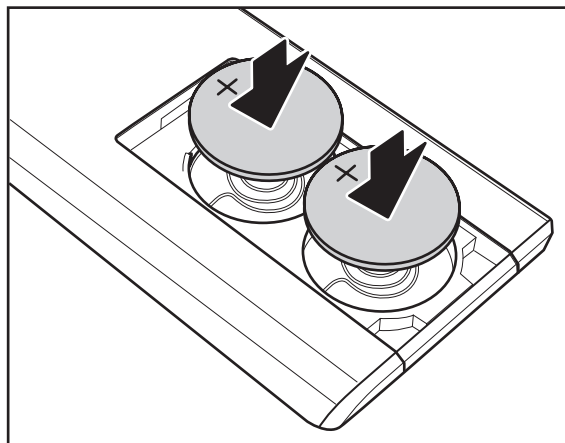
Пункт	Название	Описание
1.	Питание	Нажмите для включения экрана и колонок. (любой режим)
2.	Фото	Нажмите для входа в режим фото.
3.	Видео	Нажмите для входа в режим видео.
4.	Пауза	Нажмите для паузы во время просмотра.
5.	Перемотка	Нажмите для перемотки.
6.	Следующая дорожка	Нажмите для перехода на следующую дорожку.
7.	Информация	Нажмите для отображения информации на экране.
8.	Кнопка ОК	Нажмите для подтверждения действия.
9.	Выключить звук	Нажмите для отключения звука.
10.	Канал вверх/вниз	Нажмите для переключения каналов при просмотре ТВ.
11.	Включение ТВ	Нажмите для просмотра телепрограмм.
12.	Кнопка DVD	Нажмите для просмотра DVD.
13.	Цифровые клавиши	Нажмите для выбора канала.
14.	Ввод	Нажмите для подтверждения выбора.
15.	Кнопки телетекста	Доступны только на европейских моделях.
16.	Кнопка шифт	Переключает буквенный и цифровой ввод.
17.	Очистить	Нажмите для очистки введенной информации.
18.	Запись ТВ	Нажмите для записи текущей телепрограммы.
19.	EPG (программа передач)	Нажмите для отображения программы телепередач.
20.	Увеличить/уменьшить громкость	Нажмител для увеличения/уменьшения громкости звука.
21.	Windows медиацентр	Нажмите для запуска программы медиацентра.
22.	Кнопки навигации	Нажмите для навигации в меню.
23.	Возврат	Нажмите для возврата на предыдущую страницу.
24.	Предыдущая дорожка	Нажмите для возврата на предыдущую дорожку.
25.	Перемотка	Нажмите для перемотки.
26.	Воспроизведение	Нажмите для воспроизведения медиафайла.
27.	Запись	Нажмите для начала записи.
28.	Стоп	Нажмите для остановки воспроизведения медиафайла.
29.	TV	Нажмите для входа в режим ТВ.
30.	Музыка	Нажмите для входа в режим музыка.

Установка элементов питания в пульт

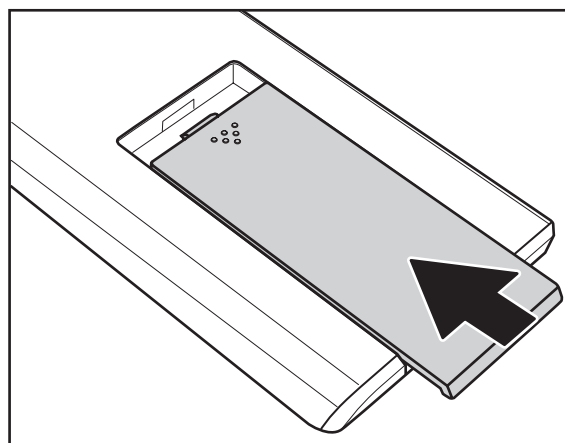
1. Откройте батарейный отсек на задней стороне пульта.



2. Установите батарейки в отсек, соблюдая полярность.



3. Закройте крышку отсека.



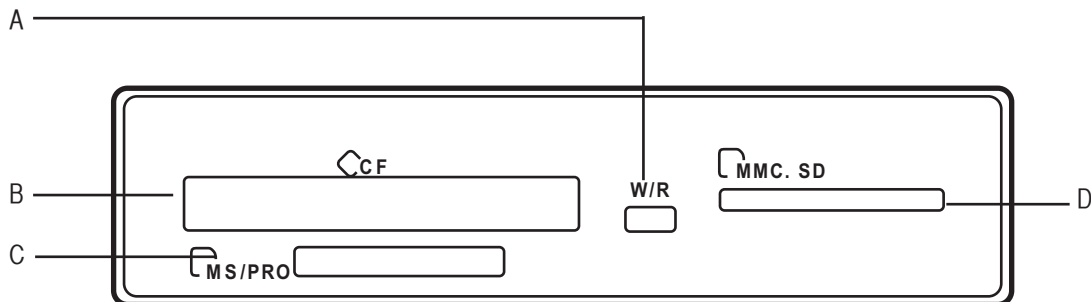
Использование кард-ридера

Цифровые фотоаппараты и другие устройства используют карты памяти для хранения фотографий или медиафайлов. Кард-ридер, встроенный в переднюю панель вашего Медиацентра позволяет использовать разнообразные карты памяти.

Вы можете поместить карты памяти в несколько слотов кард-ридера и использовать их независимо. Помещайте в слот только одну карту памяти. Каждый слот имеет собственную букву диска и иконку, отображаемые в окне **Мой компьютер**.

Для ознакомления со слотами кард-ридера обратитесь к нижеследующей иллюстрации.

Руководство по установке карт памяти



Пункт	Наименование	Описание
A	Индикатор активности	Указывает на запись или чтение данных
B	CF слот	Поддерживаются MD, CF тип I/II
C	MS/MS PRO слот	Поддерживаются MS/MS-Pro, MS duo, MS pro duo
D	MMC/SD слот	Поддерживаются SD, mini SD (через переходник), MMC, MMC4.x, RS MMC, RSMMC4.x (через переходник)

Для использования кард-ридера сделайте следующее:

1. Осторожно вставьте карту памяти в соответствующий слот.
2. Откроется окно. Выберите программу для доступа к файлам. Медицентр откроет программу для работы с содержимым карты памяти. Вы можете копировать файлы с/на карту памяти.

ИЛИ

Если окно не появилось автоматически, вы можете нажать **Start**, и выбрать **My Computer**, щелкните два раза на карте памяти для просмотра содержимого карты.

3. Когда вы закончили работать с картой памяти, щелкните правой кнопкой на иконке диска и выберите **Eject**.
Когда индикатор активности перестанет мигать, извлеките карту памяти из слота.

Примечание:

Не извлекайте карту памяти если индикатор активности мигает. Это может привести к потере данных или повреждению карты памяти.




“DTS CONNECT”, “DTS INTERACTIVE” и “DTS NEO:PC” торговые марки DTS, Inc. “DTS” зарегистрированная торговая марка DTS, Inc.



Запуск Windows XP Media Center

Вы можете управлять Windows XP Media Center с помощью беспроводной клавиатуры/мыши и пульта ДУ. Используйте устройство, наиболее комфортное для вас.

Вы можете запустить Windows XP Media Center одним из следующих способов:

- Запуск Windows XP Media Center из меню Start:
 - Нажмите **Start** и выберите **Media Center**.
- Запуск Window XP Media Center с помощью пульта ДУ:
 - Нажмите на пульте кнопку **Media Center** .

Использование My TV

Вы можете управлять просмотром телепередач с помощью функции **My TV**. Используйте **My TV** для просмотра телепрограмм, записи телепрограмм, просмотра записанных программ, просмотра информации о программах и прочего.

Просмотр телепрограмм

1. Нажмите кнопку **TV** на пульте. Появится последний просмотренный канал.
2. Используйте кнопки **Channel up/down** для переключения каналов.

Запись телепрограмм

1. Используйте кнопки **Channel up/down** или цифровые кнопки для выбора программы, которую вы хотите записать.
2. Для начала записи нажмите кнопку **Record** на пульте.

Просмотр записанных программ

При просмотре телепередач **My TV** автоматически записывает программы в буфер. Когда вы приостанавливаете программу, **My TV** продолжает запись программы еще 30 минут, таким образом вы можете продолжить просмотр с места паузы.

1. Нажмите кнопку **Pause/ Stop** для паузы/остановки программы и начала записи программы в буфер.
2. Нажмите кнопку **Play** для просмотра программы с места, где вы нажали кнопку **Pause/Stop**.

Примечание:

- Доступ к телефункциям может изменяться от региона к региону в зависимости от параметров сигнала.
- Авторские права на программное обеспечение на компакт-диске принадлежат владельцам. Asus не несет ответственности за обновление или диагностику неисправностей.

Использование My Music

My Music позволяет вам слушать музыку. Вы можете слушать компакт-диски, просматривать информацию об артисте, создавать свой список воспроизведения, распределять и прослушивать музыку по жанрам и т.д.

Добавление музыкальных CD в библиотеку

1. Нажмите **Start** и выберите **Windows Media Player**.
2. Вставьте CD, который вы хотите добавить в библиотеку Media Player.
3. На левой стороне Media Player, нажмите **Copy from CD**, затем нажмите **Copy Music**.
4. Нажмите **Add copy protection to your music** и установите галочку авторских прав для продолжения копирования CD в Медиацентр.
5. Выберите **Change my current format settings** или **Keep my current format settings** и затем нажмите **Finish**. CD копируется на жесткий диск.

Воспроизведение музыки

1. Нажмите кнопку **Music** на пульте для открытия экрана **My Music**.
2. Вы можете выбрать музыку для прослушивания по альбому, артисту, плейлисту, песне или жанру.

Использование My Pictures

My Pictures позволяет легко просматривать и управлять цифровыми фотографиями. Вы можете просматривать картинки по одной или просматривать их как слайдшоу.

Просмотр фотографий

1. Нажмите на пульте кнопку **Photo** для открытия окна **My Pictures** и отображения папок с картинками.
2. Используйте кнопки навигации для выбора папки для просмотра и нажмите **OK**. Откроется папка с фотографиями.
3. Выделите фотографию для просмотра и нажмите кнопку **OK**.

Вы можете выбрать **Play slide show** для показа картинок из выбранных папок как слайдшоу.

Использование My Videos

My Videos позволяет смотреть цифровое видео. Вы можете смотреть ваше видео и сортировать его по имени или дате.

Просмотр видео

1. Нажмите на пульте кнопку **Video** для открытия окна **My Videos** и отображения папок с видео.
2. Используйте кнопки навигации для выбора папки для просмотра и нажмите **OK**. Откроется папка с видео.
3. Выделите видео для просмотра и нажмите кнопку **OK**.

Спецификация

Модель	D22	D20
ОС	Microsoft Windows XP Media Center Edition	
Inter ViiV	Inter ViiV v 1.5	
Процессор	Intel Conroe E6300 1.86 ГГц, FSB 1066/800 МГц, 2М L2 кэша	
Чипсет	Intel Broadwater P965 + ICH18-DH	Intel Broadwater G965 + ICH18-DH
Графика	NVIDIA nForce4 7600 (256М, DDR3)	Intel GMA X3000
Память	1Гб (DDR2 533 512М x 2), двухканальная	
HDD	250Г SATA2, NCQ, 7200об/м	160Г SATA2, NCQ, 7200об/м
Оптический привод	16X DVD Dual Supermulti DL	
Тюнер	Двухканальный (2A/2D/1A1D) с радио , PCI-E x 1	Гибридный с радио (аналоговый /цифровой), PCI
Беспроводная сеть	802.11b/g	
Сеть	10/100/1000 Мбит/с	
Кард-ридер	13-в-1 CF слот: MD, CF type I & II MS слот: MS, MS pro, MS duo, MS pro duo SD/MMC слот: SD, Mini SD (Micro SD через переходник), MMC, MMC4.x, RS MMC, RSMMMC4.x (MMS mobile через переходник)	
Слоты расширения	1 x PCI-E x 16, 2 x PCI-E x 1, 1 x PCI	
S-ATA	SATA II x 4, eSATA x 2	
Аудио	Intel High Definition Azalia, 7.1 Channel	
Передняя панель	USB 2.0 x 2, IEEE 1394 (4-х контактный) x1, порт eSATA x 1, разъем микрофона x 1, разъем наушников x 1, кард-ридер 13-в-1 x 1	

Модель	D22	D20
Задняя панель	Порт USB 2.0 x 4, порт IEEE 1394 x 1, порт eSATA x 1,	
	Видеовыход: HDMI x 1, разъем компонентного видео (Y/Pb/Pr) x 1, выход DVI x1 (для D22) , выход D-Sub x 1 (для D20), разъем композитного видео (RGB) x 1, SCART x 1, переходник DVI -> D-Sub x 1 (для D22), переходник HDMI -> DVI x 1 (для D20)	
	Видеовход: разъем композитного видео (RGB) x 1 (с помощью переходного кабеля), разъем S-video x 1 (с помощью переходного кабеля), ТВ вход x 2 (для D22), TV вход x 1 (для D20)	
	Аудиовыход: 7.1 каналный выход x 1, разъем S/PDIF x 1, коаксиальный разъем x 1, разъем композитного видео (L/R) x 1 (с помощью переходного кабеля)	
	Аудиовход: разъем композитного видео(L/R) x 1 (с помощью переходного кабеля)	
	Разъем Ethernet 10/100/1000 x 1	
Блок питания	275 Вт (PFC)	
Размеры	357 мм (Ш) x 95 мм (В) x 398 мм (Д)	