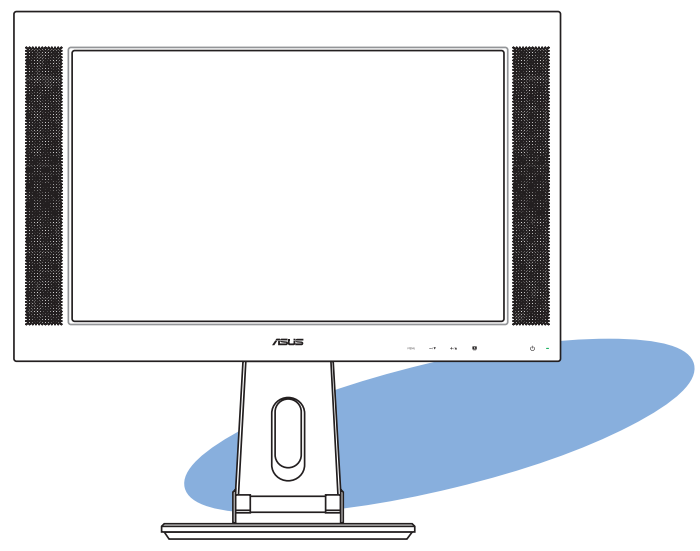


ASUS[®]

PW191

LCD Monitor

Quick Start Guide

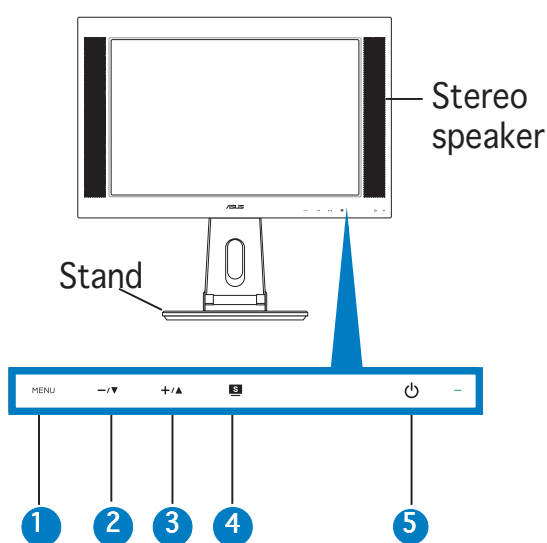


Safety information

- Before setting up the monitor, carefully read all the documentation that came with the package.
- To prevent fire or shock hazard, never expose the monitor to rain or moisture.
- The monitor should be operated only from the type of power source indicated on the label. If you are not sure of the type of power supplied to your home, consult your dealer or local power company.
- Use the appropriate power plug which complies with your local power standard.
- To ensure satisfactory operation, use the monitor only with UL listed computers which have appropriate configured receptacles marked between 100-240V AC.
- If you encounter technical problems with the monitor, contact a qualified service technician or your retailer.

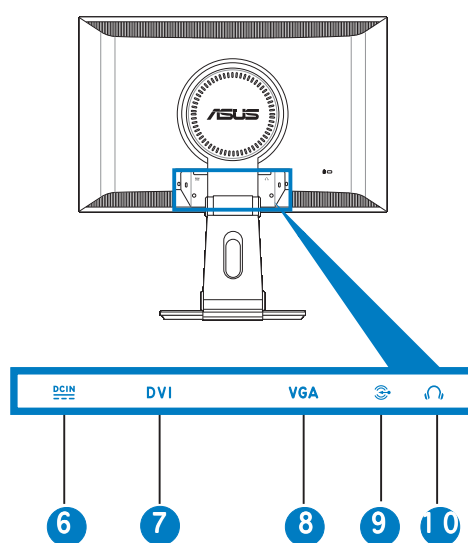
Monitor introduction

Front view



| |
|--------------------------------------|
| 1. MENU sensor |
| 2. Decrease sensor/Volume hotkey |
| 3. Increase sensor/Brightness hotkey |
| 4. SPLENDID™ mode hotkey |
| 5. Power sensor/indicator |

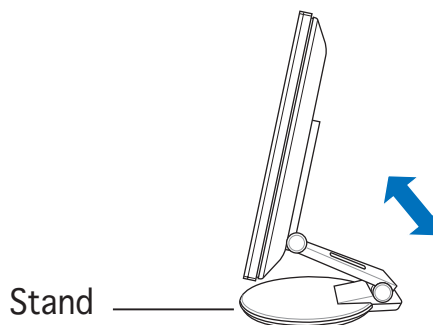
Rear view



| |
|--------------------|
| 6. DC-in port |
| 7. DVI port |
| 8. VGA port |
| 9. Audio-in port |
| 10. Headphone port |

Unfolding the monitor

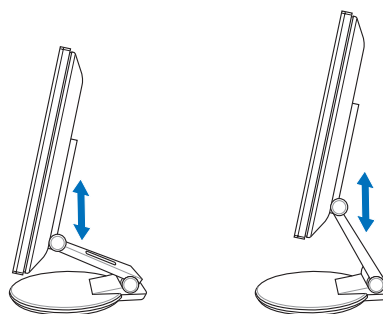
The monitor is folded in the package. To unfold the monitor, hold the stand with one hand and carefully tilt the monitor forward with the other hand.



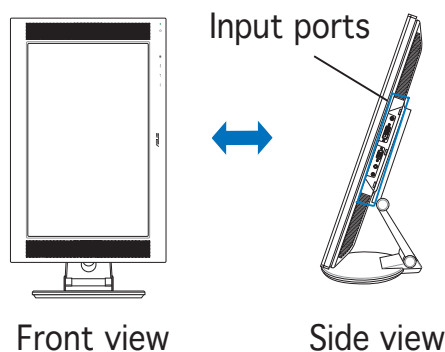
Connecting the cables

To connect the cables:

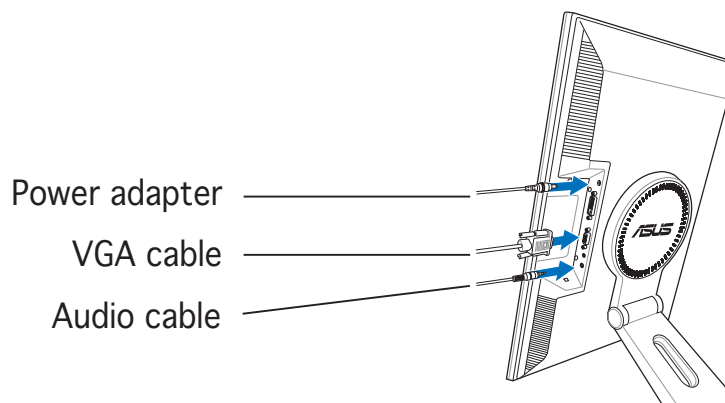
1. Adjust the monitor to your desired height and tilt.



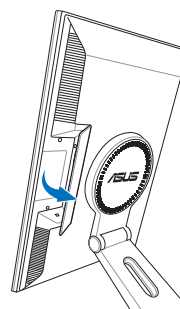
2. Turn the monitor 90° counterclockwise so you can clearly see the ports at the bottom of the rear panel.



3. Connect the cables as shown:

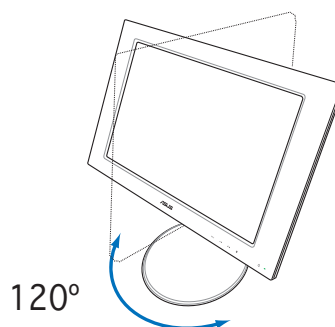
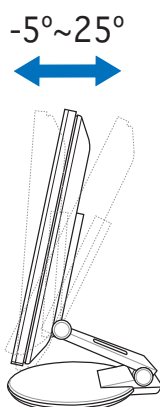


- **To connect the audio cable:** connect one end of the audio cable to the monitor's Audio-in port, and then connect the other end to the computer multi-media (or audio) card's audio output.
 - **To connect the power adapter:** first, connect the adapter cord securely to the monitor's DC-in port. Then, connect the power plug to the adapter port with the other end to a power outlet.
 - **To connect the VGA cable:**
 - a. Plug the VGA/DVI connector to the LCD monitor's VGA/DVI port.
 - b. Connect the other end of the VGA/DVI cable to your computer's VGA/DVI port.
 - c. Tighten the two screws to secure the VGA/DVI connector.
4. Close the rear connector cover.
Align the cover to the three slots near the ports and close the cover carefully. A click indicates that the cover has been closed successfully.

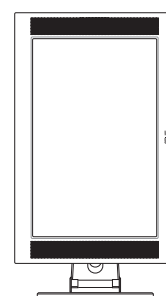
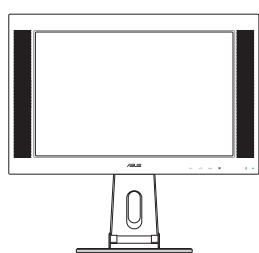


Adjusting the monitor

- You can adjust the monitor's tilt from -5° to 25° .
- The stand allows you to turn the monitor left/right up to 120° .



- You can also turn the monitor 90° counterclockwise.



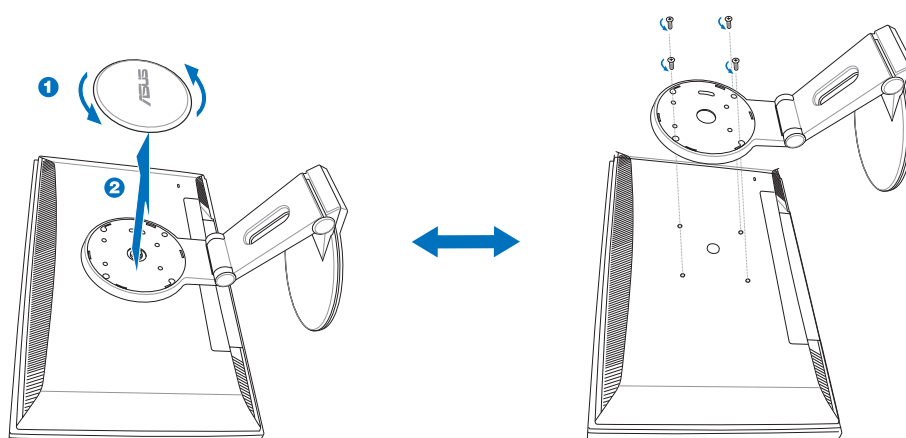
Detaching the stand (for VESA wall mount)

To detach the stand:

1. Turn the VESA cover counterclockwise to open it.
2. Remove the VESA cover from the stand.
3. Use a screwdriver to remove the four screws on the stand of the monitor.



CAUTION! Have the front of the monitor face down to make the detachment safer and easier. We recommend that you cover the surface with soft cloth to prevent damage to the monitor.



Pivot®Pro Software

- **Installation instructions:**

1. Close all other applications first.
2. Make sure your graphics card manufacturer's (native) drivers are installed before you install the Pivot®Pro software.
3. Insert the support CD into the optical drive and run the START_PIVOT program.

- This software only supports Windows® 98SE, ME, NT 4.0, 2000, and XP operating systems.
- After the installation, you can set up hotkeys for different rotation degrees by pressing the right mouse button -- enter Properties -- Settings -- Advanced -- Pivot Software -- Hotkeys.
- For more information or help, go to www.portrait.com.

