

ASUS[®]
P2B-D / P2B-DS
Dual Pentium[®] II Motherboards

USER'S MANUAL

Special Features

- **P2B-DS**
 - Adaptec 7890 SCSI Chipset
 - Adaptec 3860 SCSI Transceiver

USER'S NOTICE

No part of this manual, including the products and software described in it, may be reproduced, transmitted, transcribed, stored in a retrieval system, or translated into any language in any form or by any means, except documentation kept by the purchaser for backup purposes, without the express written permission of ASUSTeK COMPUTER INC. ("ASUS").

ASUS PROVIDES THIS MANUAL "AS IS" WITHOUT WARRANTY OF ANY KIND, EITHER EXPRESS OR IMPLIED, INCLUDING BUT NOT LIMITED TO THE IMPLIED WARRANTIES OR CONDITIONS OF MERCHANTABILITY OR FITNESS FOR A PARTICULAR PURPOSE. IN NO EVENT SHALL ASUS, ITS DIRECTORS, OFFICERS, EMPLOYEES OR AGENTS BE LIABLE FOR ANY INDIRECT, SPECIAL, INCIDENTAL, OR CONSEQUENTIAL DAMAGES (INCLUDING DAMAGES FOR LOSS OF PROFITS, LOSS OF BUSINESS, LOSS OF USE OR DATA, INTERRUPTION OF BUSINESS AND THE LIKE), EVEN IF ASUS HAS BEEN ADVISED OF THE POSSIBILITY OF SUCH DAMAGES ARISING FROM ANY DEFECT OR ERROR IN THIS MANUAL OR PRODUCT.

Product warranty or service will not be extended if: (1) the product is repaired, modified or altered, unless such repair, modification or alteration is authorized in writing by ASUS; or (2) the serial number of the product is defaced or missing.

Products and corporate names appearing in this manual may or may not be registered trademarks or copyrights of their respective companies, and are used only for identification or explanation and to the owners' benefit, without intent to infringe.

- Adobe and Acrobat are registered trademarks of Adobe Systems Incorporated.
- Adaptec, AHA, EZ-SCSI, and AIC is a registered trademark of Adaptec, Inc.
- Sound Blaster, SB16, AWE32, AWE64D and SB-LINK are trademarks of Creative Technology Ltd.
- Intel, LANDesk, and Pentium are registered trademarks of Intel Corporation.
- IBM and OS/2 are registered trademarks of International Business Machines.
- Windows and MS-DOS are registered trademarks of Microsoft Corporation.
- Trend and ChipAwayVirus are trademarks of Trend Micro, Inc.

The product name and revision number are both printed on the product itself. Manual revisions are released for each product design represented by the digit before and after the period of the manual revision number. Manual updates are represented by the third digit in the manual revision number.

For previous or updated manuals, BIOS, drivers, or product release information, contact ASUS at <http://www.asus.com.tw> or through any of the means indicated on the following page.

SPECIFICATIONS AND INFORMATION CONTAINED IN THIS MANUAL ARE FURNISHED FOR INFORMATIONAL USE ONLY, AND ARE SUBJECT TO CHANGE AT ANY TIME WITHOUT NOTICE, AND SHOULD NOT BE CONSTRUED AS A COMMITMENT BY ASUS. ASUS ASSUMES NO RESPONSIBILITY OR LIABILITY FOR ANY ERRORS OR INACCURACIES THAT MAY APPEAR IN THIS MANUAL, INCLUDING THE PRODUCTS AND SOFTWARE DESCRIBED IN IT.

Copyright © 1998 ASUSTeK COMPUTER INC. All Rights Reserved.

Product Name:	ASUS P2B-D/P2B-DS
Manual Revision:	1.05 E269
Release Date:	September 1998

ASUS CONTACT INFORMATION

ASUSTeK COMPUTER INC.

Marketing

Address: 150 Li-Te Road, Peitou, Taipei, Taiwan 112
Telephone: +886-2-2894-3447
Fax: +886-2-2894-3449
Email: info@asus.com.tw

Technical Support

Fax: +886-2-2895-9254
BBS: +886-2-2896-4667
Email: tsd@asus.com.tw
WWW: www.asus.com.tw
FTP: ftp.asus.com.tw/pub/ASUS

ASUS COMPUTER INTERNATIONAL

Marketing

Address: 6737 Mowry Ave, Mowry Business Center, Building 2,
Newark, CA 94560, USA
Fax: +1-510-608-4555
Email: info-usa@asus.com.tw

Technical Support

Fax: +1-510-608-4555
BBS: +1-510-739-3774
Email: tsd-usa@asus.com.tw
WWW: www.asus.com
FTP: ftp.asus.com.tw/pub/ASUS

ASUS COMPUTER GmbH

Marketing

Address: Harkort Str. 25, 40880 Ratingen, BRD, Germany
Telephone: 49-2102-445011
Fax: 49-2102-442066
Email: info-ger@asus.com.tw

Technical Support

Hotline: 49-2102-499712
BBS: 49-2102-448690
Email: tsd-ger@asus.com.tw
WWW: www.asuscom.de
FTP: ftp.asuscom.de/pub/ASUSCOM

CONTENTS

I. INTRODUCTION	7
How this Manual is Organized	7
Item Checklist	7
II. FEATURES	8
Features	8
The ASUS P2B-D/P2B-DS Motherboard	9
III. INSTALLATION	10
ASUS P2B-D/P2B-DS Motherboard Layout	10
Installation Steps	12
1. Jumpers	12
Jumper Settings	13
2. System Memory (DIMM)	17
DIMM Memory Installation Procedures	18
3. Central Processing Unit (CPU)	19
Pentium II Processor	19
Recommended Heatsinks	23
AAVID Heatsink	23
Elan Vital Heatsink	23
4. Expansion Cards	24
Expansion Card Installation Procedure	24
Assigning IRQs for Expansion Cards	24
Assigning DMA Channels for ISA Cards	25
ISA Cards and Hardware Monitor	25
Accelerated Graphics Port	25
5. External Connectors	26
Power Connection Procedures	35
IV. BIOS SOFTWARE	36
Flash Memory Writer Utility	36
Main Menu	36
Managing and Updating Your Motherboard's BIOS	38
6. BIOS Setup	39
Load Defaults	40
Standard CMOS Setup	40
Details of Standard CMOS Setup	40
BIOS Features Setup	43
Details of BIOS Features Setup	43
Chipset Features Setup	46
Details of Chipset Features Setup	46

CONTENTS

Power Management Setup	49
Details of Power Management Setup	49
PNP and PCI Setup	52
Details of PNP and PCI Setup	52
Load BIOS Defaults	54
Load Setup Defaults	54
Supervisor Password and User Password	55
IDE HDD Auto Detection	56
Save & Exit Setup	57
Exit Without Saving	57
V. SUPPORT SOFTWARE	58
ASUS Smart Motherboard Support CD	58
VI. DESKTOP MANAGEMENT	59
Desktop Management Interface (DMI)	59
VII. ASUS LAN Card	63
ASUS PCI-L101 Fast Ethernet Card	63
Features	64
Software Driver Support	64
Question and Answer	64
VIII. ADAPTEC SCSI SELECT	65
Configuring the SCSI Adapter	65
SCSI Disk Utilities	65
IX. ADAPTEC EZ-SCSI	67
Quick Start Instructions	67
Troubleshooting Tips	68
Information for DOS/Windows 3.1x Users	71
DOS Formatting Utilities	72
Low-level Formatter (scsifmt)	72
Formatter and Partitioner (afdisk)	73

FCC & DOC COMPLIANCE

Federal Communications Commission Statement

This device complies with FCC Rules Part 15. Operation is subject to the following two conditions:

- This device may not cause harmful interference, and
- This device must accept any interference received, including interference that may cause undesired operation.

This equipment has been tested and found to comply with the limits for a Class B digital device, pursuant to Part 15 of the FCC Rules. These limits are designed to provide reasonable protection against harmful interference in a residential installation. This equipment generates, uses and can radiate radio frequency energy and, if not installed and used in accordance with manufacturer's instructions, may cause harmful interference to radio communications. However, there is no guarantee that interference will not occur in a particular installation. If this equipment does cause harmful interference to radio or television reception, which can be determined by turning the equipment off and on, the user is encouraged to try to correct the interference by one or more of the following measures:

- Re-orient or relocate the receiving antenna.
- Increase the separation between the equipment and receiver.
- Connect the equipment to an outlet on a circuit different from that to which the receiver is connected.
- Consult the dealer or an experienced radio/TV technician for help.

WARNING! The use of shielded cables for connection of the monitor to the graphics card is required to assure compliance with FCC regulations. Changes or modifications to this unit not expressly approved by the party responsible for compliance could void the user's authority to operate this equipment.

Canadian Department of Communications Statement

This digital apparatus does not exceed the Class B limits for radio noise emissions from digital apparatus set out in the Radio Interference Regulations of the Canadian Department of Communications.

I. INTRODUCTION

How this Manual is Organized

This manual is divided into the following sections:

I. Introduction	Manual information and checklist
II. Features	Information and specifications
III. Installation	Setting up the motherboard.
IV. BIOS Software	Setting up the BIOS software
V. Support Software	ASUS Smart Motherboard Support CD
VI. Desktop Management	BIOS supported Desktop Management Interface
VII. ASUS LAN Card	ASUS PCI-L101 Fast Ethernet PCI card installation (optional)
VIII. Adaptec SCSI Select	Adaptec SCSI Select utility (optional)
IX. Adaptec EZ-SCSI	Adaptec EZ-SCSI utility (optional)

Item Checklist

Check that your package is complete. If you discover damaged or missing items, contact your retailer.

- (1) ASUS Motherboard
- (1) Dual Processor Retention Mechanism and heatsink for 440BX AGPset
- (4) Attach mount screws
- (1) IDE ribbon cable for master and slave drives
- (1) Floppy ribbon cable for (1) 5.25inch floppy and (2) 3.5inch floppies
- (1) Bag of spare jumpers
- (1) Support drivers and utilities:
- (1) User's Manual
- (1) ASUS -P2T PC100 Rev. 1.02 or later
- (1) Adaptec 7800 Family Manager Set User's Manual (optional)
- 68-pin Ultra2 SCSI cable with terminator (optional)
- 68-pin Fast & Wide SCSI cable (optional)
- 50-pin Fast SCSI cable (optional)
- PS/2 Mouse, Infrared, USB1, and USB2 external connector module (optional)
- ASUS PCI-L101 Wake-On-LAN 10/100 Ethernet Card (optional)

II. FEATURES

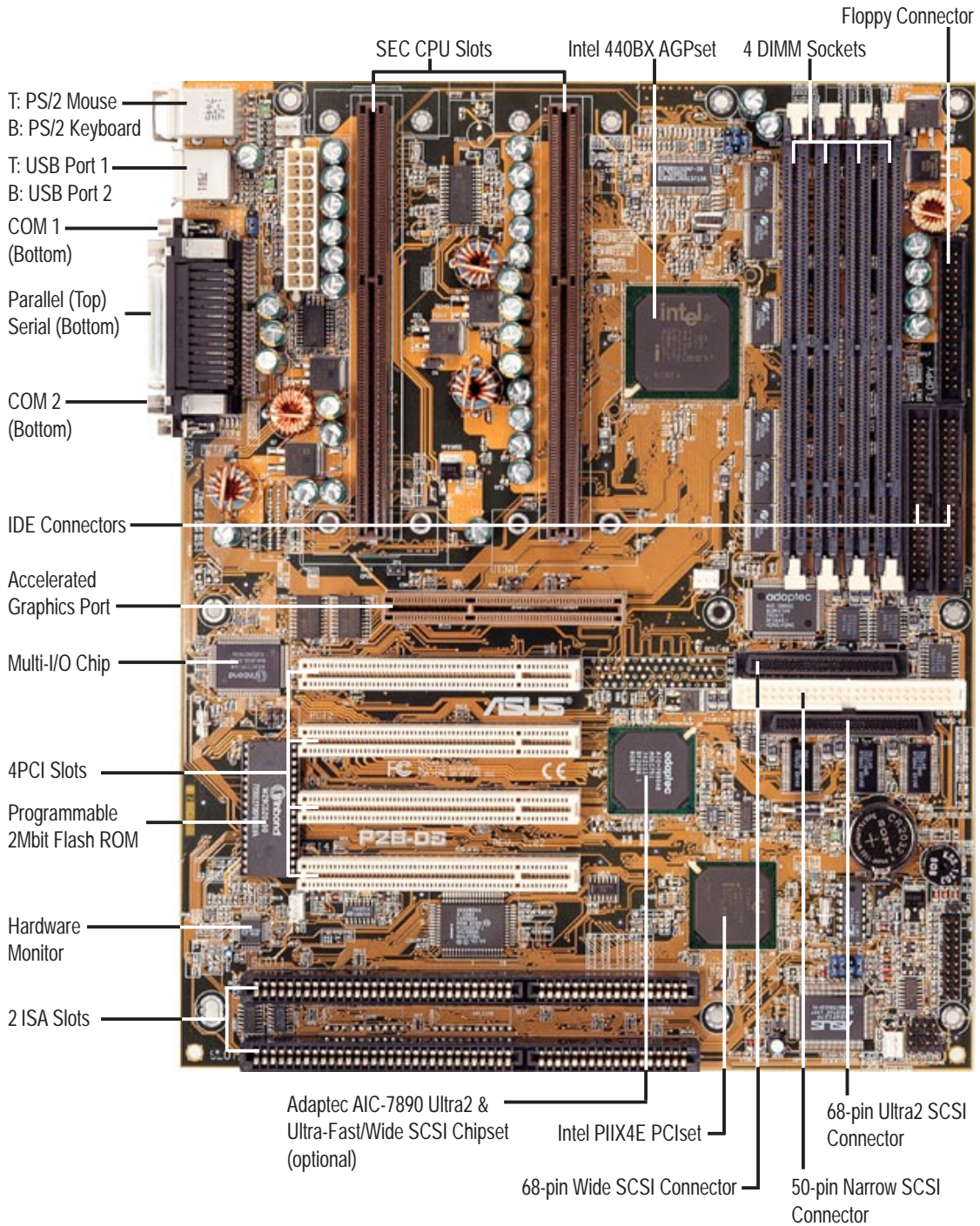
Features

The ASUS P2B-D/P2B-DS motherboards are carefully designed for the demanding PC user who wants advanced features processed by the fastest CPU.

- **Multi-Speed:** Supports Dual Intel Pentium® II processors from 233MHz to 450MHz.
- **Intel AGPset:** Features Intel's 440BX AGPset with I/O subsystems and front-side bus (FSB) platform, which boosts the traditional 66-MHz internal bus speed to 100MHz.
- **Enhanced ACPI and Anti-Boot Virus BIOS:** Features a programmable BIOS, offering enhanced ACPI for Windows 98 compatibility, built-in hardware-based virus protection through Trend ChipAwayVirus, and autodetection of most devices for virtually automatic setup.
- **PC100 Memory Support:** Equipped with four DIMM sockets to support Intel PC100-compliant SDRAMs (8, 16, 32, 64, 128, or 256MB) up to 1GB. These new SDRAMs are necessary to meet the enhanced 100MHz bus speed requirement.
- **Wake-On-LAN:** Supports Wake-On-LAN activity with special network cards, such as the ASUS PCI-L101 10/100 Fast Ethernet PCI card.
- **Adaptec SCSI Chipset:** Features Adaptec AIC-7890 Ultra2 SCSI chipset (optional) that supports a combination of 8-bit and 16-bit Ultra2, Ultra, and single-ended or standard SCSI devices and the AIC-3860 transceiver chipset (optional) that bridges the compatibility gap between these mixed environments without affecting system performance by taking advantage of the benefits of low-voltage differential (LVD) technology.
- **AGP Slot:** Supports Accelerated Graphics Port cards for high performance, component level interconnect targeted at 3D graphical display applications.
- **SB-Link™:** Features Creative's SB-Link™, allowing SB16 compatibility, using Intel's PC-PCI and serialized IRQ protocols, to AWE64D or compatible PCI audio cards.
- **SMBus:** Features the System Management Bus interface, which is used to physically transport commands and information between SMBus devices.
- **PCI & ISA Expansion Slots:** Provides four 32-bit PCI and two 16-bit ISA PCI slots.
- **Intelligence:** Supports Keyboard Power Up, Fan Status Monitoring and Alarm, Temperature Monitoring and Alert, Voltage Monitoring and Alert, System Resources Alert, and Virus Write Protection through the onboard Hardware Monitor, Intel LANdesk Client Manager (LDCM), and ASUS PC Probe software.
- **Super Multi-I/O:** Provides two high-speed UART compatible serial ports and one parallel port with EPP and ECP capabilities. UART2 can also be directed from COM2 to the Infrared Module for wireless connections.
- **Desktop Management Interface (DMI):** Supports DMI through BIOS, which allows hardware to communicate within a standard protocol creating a higher level of compatibility. (Requires DMI-enabled components.) (See section V)
- **Ultra DMA/33 Bus Master IDE/Floppy:** Comes with an onboard PCI Bus Master IDE controller with two connectors that supports four IDE devices in two channels, supports UltraDMA/33, PIO Modes 3 and 4 and Bus Master IDE DMA Mode 2, and supports Enhanced IDE devices. Two floppy drives of either 5.25inch or 3.5inch (1.44MB or 2.88MB) are also supported without an external card. Supports Japanese standard "Floppy 3 mode" (3.5-inch disk drive: 1.44MB, 1.2MB, 720KB) and LS-120 floppy disk drives (3.5-inch disk drive: 120 MB). BIOS supports IDE CD-ROM or SCSI device boot-up.
- **IrDA:** Supports an optional infrared port module for wireless interface.
- **Concurrent PCI:** Allows multiple PCI transfers from PCI master buses to memory to CPU.

II. FEATURES

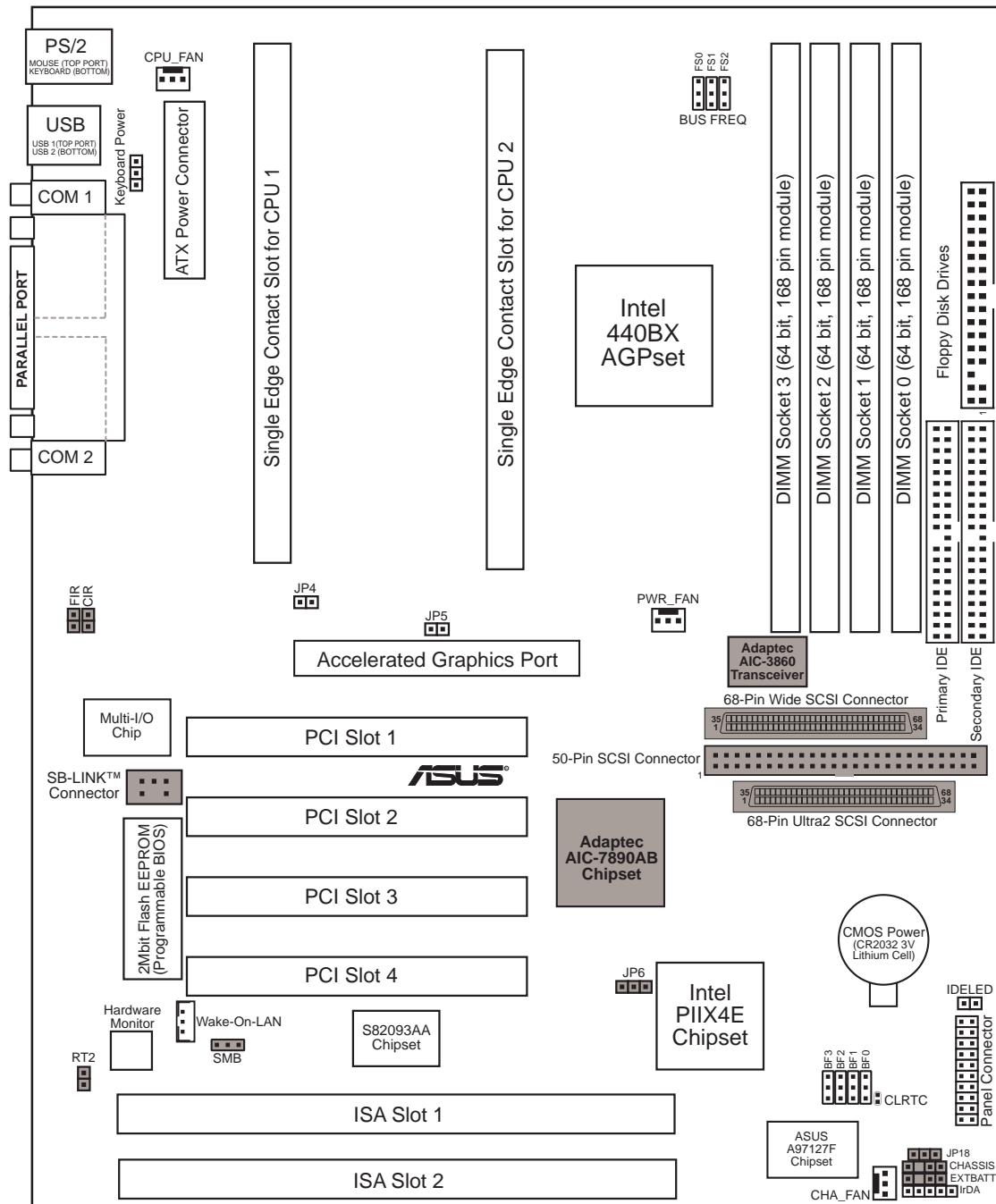
The ASUS P2B-D/P2B-DS Motherboard



II. FEATURES
Motherboard Parts

III. INSTALLATION

ASUS P2B-D/P2B-DS Motherboard Layout



NOTE: Greyed components are optional/reserved for future use.

III. INSTALLATION
Board Layout

III. INSTALLATION

Jumpers

- | | |
|-----------------------|---|
| 1) CLRTC | p. 13 Clear Real Time Clock (RTC) RAM |
| 2) KBPWR | p. 13 Keyboard Power Up (Enable/Disable) |
| 3) FS0, FS1, FS2 | p. 14 CPU Bus Frequency |
| 4) CF1, CF2, CF3, CF4 | p. 14 CPU Core:Bus Frequency Multiple |
| 5) JP18 | p. 15 Chassis Intrusion Sensor Setting (Enable/Disable) |

Expansion Slots/Sockets

- | | |
|---------------------------|---------------------------------------|
| 1) DIMM Sockets | p. 18 DIMM Memory Support |
| 2) SEC CPU Slot | p. 19 Single Edge Contact CPU Support |
| 3) SLOT1, SLOT2 | p. 24 16-bit ISA Bus Expansion Slots* |
| 4) PCI1, PCI2, PCI3, PCI4 | p. 25 32-bit PCI Bus Expansion Slots† |
| 5) AGP | p. 25 Accelerated Graphics Port |

Hardware Monitor

- | | |
|-------------|---------------------------------------|
| 1) JP4, JP5 | p. 22 CPU heat Sensor Connector (O/R) |
|-------------|---------------------------------------|

Connectors

- | | |
|-------------------------------|--|
| 1) PS2KBMS | p. 26 PS/2 Keyboard Connector (6-pin female) |
| 2) PS2MBMS | p. 26 PS/2 Mouse Connector (6-pin female) |
| 3) PRINTER | p. 27 Parallel (Printer) Port Connector (25-pin female) |
| 4) COM1/COM2 | p. 27 Serial Port COM1/COM2 (two 9-pin male) |
| 5) FLOPPY | p. 27 Floppy Drive Connector (34-1 pins) |
| 6) USB | p. 28 Universal Serial BUS Ports 1 & 2 (two 4-pin female) |
| 7) Primary/Secondary IDE | p. 28 Primary/Secondary IDE Connector (40 pins) |
| 8) IDELED | p. 29 IDE/SCSI LED Activity Light (2 pins) |
| 9) CHA_/CPU_/PWR_FAN | p. 29 Chassis/CPU/Power Supply Fan Connectors (3-pin block) |
| 10) IR | p. 30 Infrared Port Module Connector (5 pins) |
| 11) ATXPWR | p. 30 ATX Motherboard Power Connector (20 pins) |
| 12) WOLCON | p. 31 Wake-On-LAN Connector (3 pins) |
| 13) CHASSIS | p. 31 Chassis Intrusion Sensor Lead (4-1 pins) (O/R) |
| 14) MSG.LED (PANEL) | p. 32 LED Lead (2 pins) |
| 15) SMI (PANEL) | p. 32 SMI Suspend Switch Lead (2 pins) |
| 16) PWR.SW (PANEL) | p. 32 ATX Power Switch / Soft Power Switch (2 pins) |
| 17) RESET (PANEL) | p. 32 Reset Switch Lead (2 pins) |
| 18) PWR.LED (PANEL) | p. 32 System Power LED (3 pins) |
| 19) KEYLOCK (PANEL) | p. 32 Keyboard Lock Switch Lead (2 pins) |
| 20) SPEAKER (PANEL) | p. 32 Speaker Connector (4 pins) |
| 21) SCSI-50/SCSI-68/ULTRA2-68 | p. 33 Ultra-Fast (50-)/-Wide (68-)/Ultra2 (68-pin) SCSI Connectors |
| 22) DMA_HEADER | p. 34 SB-LINK™ Connector (6-1 pins) (O/R) |
| 23) SMB | p. 34 SMBus Connector (3 pins) (O/R) |

*The onboard hardware monitor uses the address 290H-297H so legacy ISA cards must not use this address, otherwise conflicts will occur.

O/R: Optional/Reserved for future use.





III. INSTALLATION

Installation Steps

Before using your computer, you must complete the following steps:

1. Set Jumpers on the Motherboard
2. Install System Memory Modules
3. Install the Central Processing Unit (CPU)
4. Install Expansion Cards
5. Connect Ribbon Cables, Cabinet Wires, and Power Supply
6. Setup the BIOS Software

1. Jumpers

Several hardware settings are made through the use of jumper caps to connect jumper pins (JP) on the motherboard. See motherboard layout for locations of jumpers. The jumper settings will be described numerically, such as [----], [1-2], [2-3] for no connection, connect pins 1&2, and connect pins 2&3, respectively. A “1” is written besides pin 1 on jumpers with three pins. The jumpers will also be shown graphically such as  to connect pins 1&2 and  to connect pins 2&3. Jumpers with two pins will be shown as  for Short (On) and  for Open (Off). For manufacturing simplicity, the jumpers may be sharing pins from other groups. Use the diagrams in this manual instead of following the pin layout on the board. Settings with two jumper numbers require that both jumpers be moved together. To connect the pins, simply place a plastic jumper cap over the two pins as diagrammed.

WARNING! Computer motherboards, baseboards and components, such as SCSI cards, contain very delicate Integrated Circuit (IC) chips. To protect them against damage from static electricity, you should follow some precautions whenever you work on your computer.

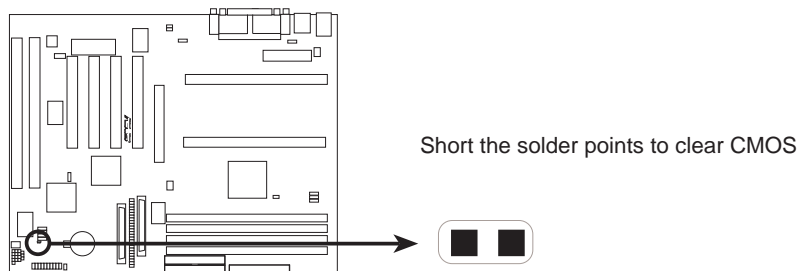
1. Unplug your computer when working on the inside.
2. Use a grounded wrist strap before handling computer components. If you do not have one, touch both of your hands to a safely grounded object or to a metal object, such as the power supply case.
3. Hold components by the edges and try not to touch the IC chips, leads or connectors, or other components.
4. Place components on a grounded antistatic pad or on the bag that came with the component whenever the components are separated from the system.

III. INSTALLATION

Jumper Settings

1. Clear Real Time Clock (RTC) RAM (CLRRTC)

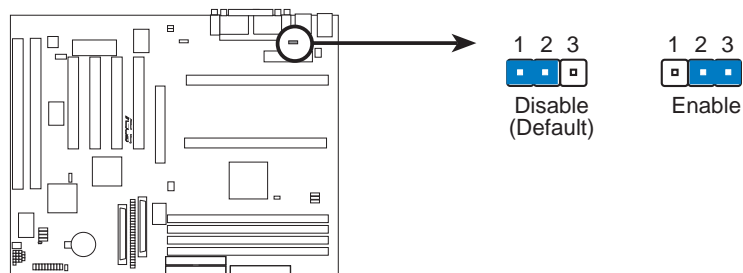
The CMOS RAM is powered by the onboard button cell battery. To clear the RTC data: (1) Turn off your computer and unplug its AC power, (2) Short the two solder points labeled CLRRTC, (3) Turn on your computer, (4) Hold down <Delete> during bootup and enter BIOS setup to re-enter user preferences.



P2B-D/DS Real Time Clock RAM (CLRRTC)

2. Keyboard Power Up (KBPK)

This allows you to disable or enable the keyboard power up function. Set to *Enable* if you want to use your keyboard (by pressing <Spacebar>) to power up your computer. This feature requires an ATX power supply that can supply at least 300mA on the +5VSB lead and the new ACPI BIOS support. The default is set to *Disable* because not all computers have the appropriate ATX power supply. Your computer will not function if you set this to *Enable* and if you do not have the right ATX power supply.



P2B-D/DS Keyboard Power Up

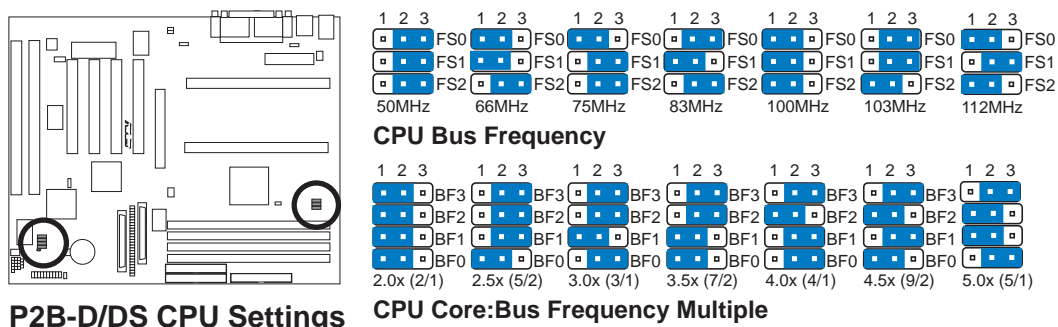
III. INSTALLATION

3. CPU Bus Frequency (FS0, FS1, FS2)

This option tells the clock generator what frequency to send to the CPU, DRAM, and 440BX AGPset. This allows the selection of the CPU's *External* frequency (or *BUS Clock*). The BUS Clock multiplied by the BUS Ratio equals the CPU's *Internal* frequency (the advertised CPU speed).

4. CPU Core:BUS Frequency Multiple (BF0, BF1, BF2, BF3)

This option sets the frequency ratio between the *Internal* frequency of the CPU and the CPU's *External* frequency. These must be set in conjunction with the *CPU Bus Frequency*.



WARNING! Frequencies above 100MHz exceed the specifications for the on-board Intel Chipset and are not guaranteed to be stable.



Intel Pentium II Processor in an SEC cartridge (233-450MHz)

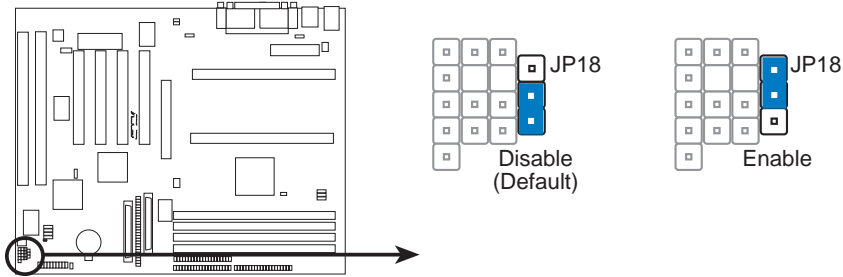
Set the jumpers by the Internal speed of your processor as follows:

CPU Model	Freq.	Ratio	(BUS Freq.)			(Freq. Ratio)				
			BUS F.	FS2	FS1	FS0	BF3	BF2	BF1	BF0
Intel Pentium II	450MHz	4.5x	100MHz	[1-2]	[1-2]	[1-2]	[2-3]	[1-2]	[2-3]	[1-2]
Intel Pentium II	400MHz	4.0x	100MHz	[1-2]	[1-2]	[1-2]	[2-3]	[1-2]	[2-3]	[2-3]
Intel Pentium II	350MHz	3.5x	100MHz	[1-2]	[1-2]	[1-2]	[2-3]	[2-3]	[1-2]	[1-2]
Intel Pentium II	333MHz	5.0x	66MHz	[2-3]	[1-2]	[1-2]	[2-3]	[1-2]	[1-2]	[2-3]
Intel Pentium II	300MHz	4.5x	66MHz	[2-3]	[1-2]	[1-2]	[2-3]	[1-2]	[2-3]	[1-2]
Intel Pentium II	266MHz	4.0x	66MHz	[2-3]	[1-2]	[1-2]	[2-3]	[1-2]	[2-3]	[2-3]
Intel Pentium II	233MHz	3.5x	66MHz	[2-3]	[1-2]	[1-2]	[2-3]	[2-3]	[1-2]	[1-2]

NOTES: Overclocking your processor is not recommended. It may result in a slower speed. Voltage Regulator Output Selection (VID) is not needed for the Pentium II processor because it sends a VID signal directly to the onboard power controller.

5. Chassis Intrusion Sensor Setting (JP18) (optional/reserved)

This allows you to disable or enable the chassis intrusion sensor. Set to *Enable* if you want to use this function to monitor intrusion into your computer, for example, when the drive bay doors are opened. The default is set to *Disable*.



P2B-D/DS Chassis Intrusion Sensor Setting

(This page was intentionally left blank.)

III. INSTALLATION

2. System Memory (DIMM)

This motherboard uses only Dual Inline Memory Modules (DIMMs). Three sockets are available for **3.3Volt** (power level) unbuffered Synchronous Dynamic Random Access Memory (SDRAM) of either 8, 16, 32, 64, 128, or 256MB to form a memory size between 8MB and 1GB. One side (with memory chips) of the DIMM takes up one row on the motherboard.

To utilize the chipset's Error Checking and Correction (ECC) feature, you must use a DIMM module with 9 chips per side (standard 8 chips/side + 1 ECC chip) and make the proper settings through "Chipset Features Setup" in **IV. BIOS SOFTWARE**.

Memory speed setup is recommended through *SDRAM Configuration* under "Chipset Features Setup".

IMPORTANT (see **General DIMM Notes** below)

- **SDRAMs used must be compatible with the current Intel PC100 SDRAM specification.**

Install memory in any combination as follows:

DIMM Location	168-pin DIMM Memory Modules		Total Memory
Socket 1 (Rows 0&1)	SDRAM 8, 16, 32, 64, 128, 256MB	x1	
Socket 2 (Rows 2&3)	SDRAM 8, 16, 32, 64, 128, 256MB	x1	
Socket 3 (Rows 4&5)	SDRAM 8, 16, 32, 64, 128, 256MB	x1	
Socket 4 (Rows 6&7)	SDRAM 8, 16, 32, 64, 128, 256MB	x1	
	Total System Memory (Max 1GB)	=	

ASUS Memory Example:



SDRAM DIMM (8 chips, Non-ECC)

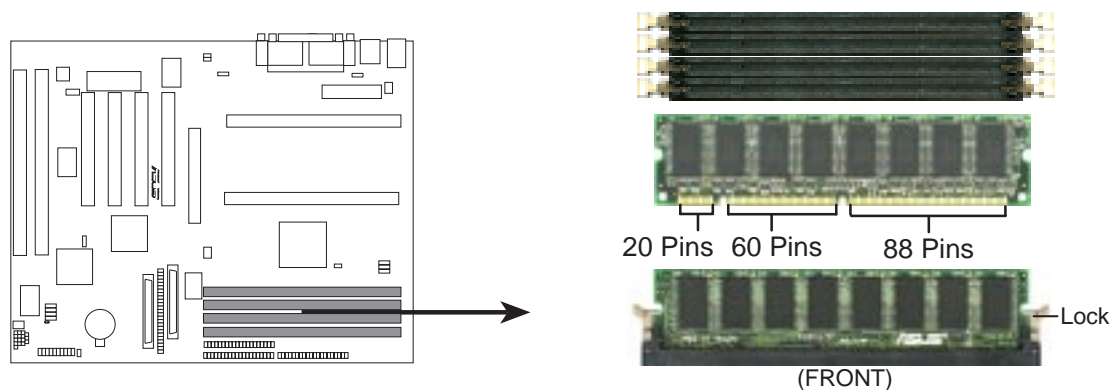
General DIMM Notes

- **Use only PC100-compliant DIMMs.** This motherboard operates at 100MHz, thus most systems will not even boot if non-compliant modules are used because of the strict timing issues involved under this speed.
- Two possible memory chips are supported: SDRAM with and without ECC.
- SDRAM chips are generally thinner with higher pin density than EDO (Extended Data Output) chips.
- BIOS shows SDRAM memory on bootup screen.
- 8 chips/side modules do not support ECC, only 9 chips/side modules support ECC.
- Single-sided DIMMs come in 16, 32, 64, 128MB; double-sided come in 32, 64, 128, 256MB.

III. INSTALLATION

DIMM Memory Installation Procedures

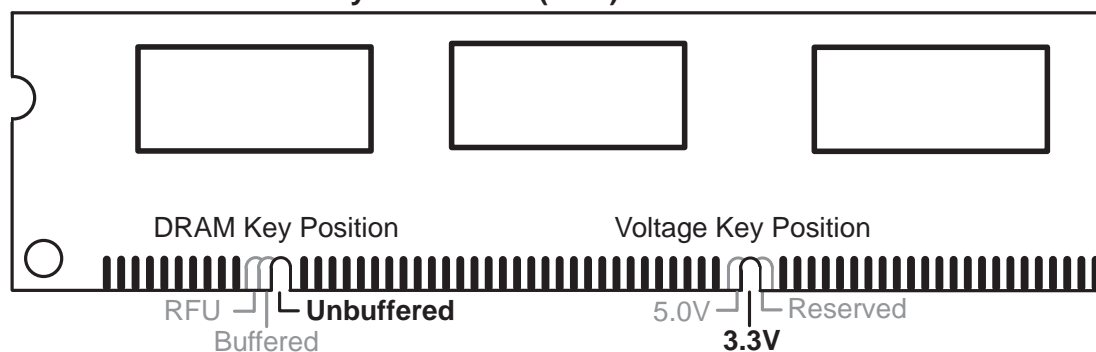
Insert the module(s) as shown. Because the number of pins is different on either side of the breaks, the module will only fit in the orientation as shown. DRAM SIMM modules have the same pin contacts on both sides. SDRAM DIMMs have different pin contacts on each side and therefore have a higher pin density.



P2B-D/DS 168-Pin DIMM Memory Sockets

The DIMMs must be 3.3Volt unbuffered SDRAMs. To determine the DIMM type, check the notches on the DIMMs (see figure below).

168-Pin DIMM Notch Key Definitions (3.3V)



The notches on the DIMM will shift between left, center, or right to identify the type and also to prevent the wrong type from being inserted into the DIMM slot on the motherboard. You must tell your retailer the correct DIMM type before purchasing. This motherboard supports four clock signals.

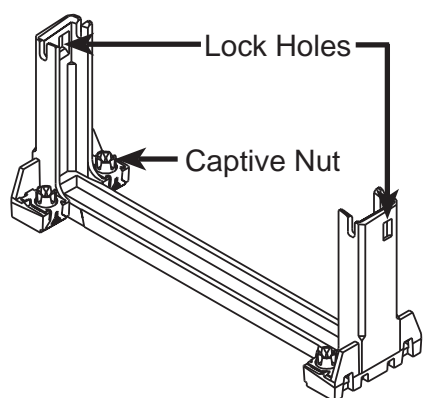
III. INSTALLATION

3. Central Processing Unit (CPU)

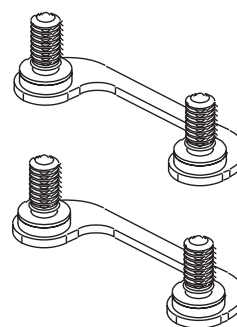
This motherboard provides two Single Edge Contact (SEC) slots for Pentium II processors packaged in SEC cartridges.

Pentium II Processor

You should check to see that you have the following items:



Pentium II Retention Mechanism



Attach Mount Bridges

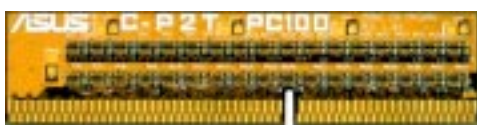
The recommended heatsinks (see section on recommended heatsinks for more information) for the Pentium II processor are those with three-pin fans that can be connected to the fan connectors on the motherboard.

WARNING! Be sure that there is sufficient air circulation across the processor's heatsink by regularly checking that your CPU fan is working. Without sufficient circulation, the processor could overheat and damage both the processor and the motherboard. You may install an auxiliary fan, if necessary.

Other Important Items



Intel Pentium II Processor in an SEC cartridge
(233-450MHz)



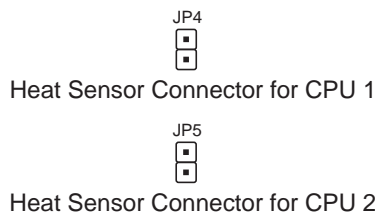
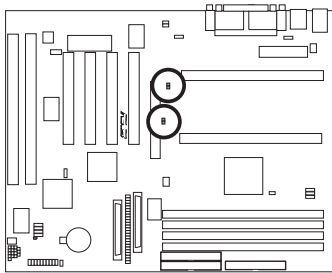
ASUS C-P2T PC100 CPU Termination Card

III. INSTALLATION

Installing the Pentium II Processor

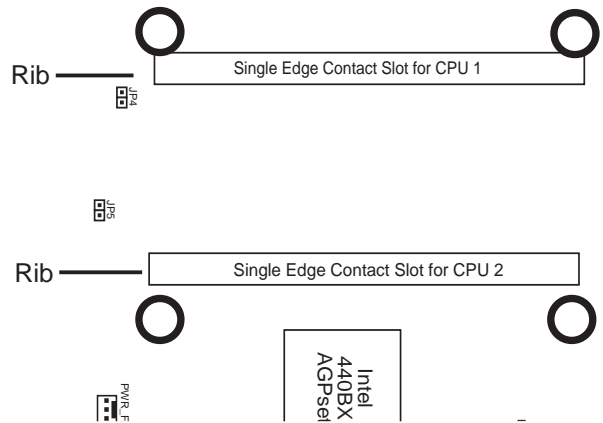
1. **Connect the Heat Sensor Cable to JP4/JP5 (optional):** If you purchased the specially designed fan and thermal monitor heatsinks, you may connect the heat sensor cables to the motherboard's CPU heat sensor connectors (JP4/JP5) now.

NOTE: If you are installing only one processor, you may use JP5 to connect a heat sensor cable to monitor the power supply temperature to make sure that it is operating at a safe heat level. This feature is available only with the hardware monitor installed.



P2B-D/DS CPU Heat Sensor Connectors

2. **Insert the Attach Mount Screws:** Insert the screws through the motherboard's underside at the location indicated. Press the screws gently but firmly until it is fully inserted. Do not rock the screws side to side, instead press the screws straight into the holes.



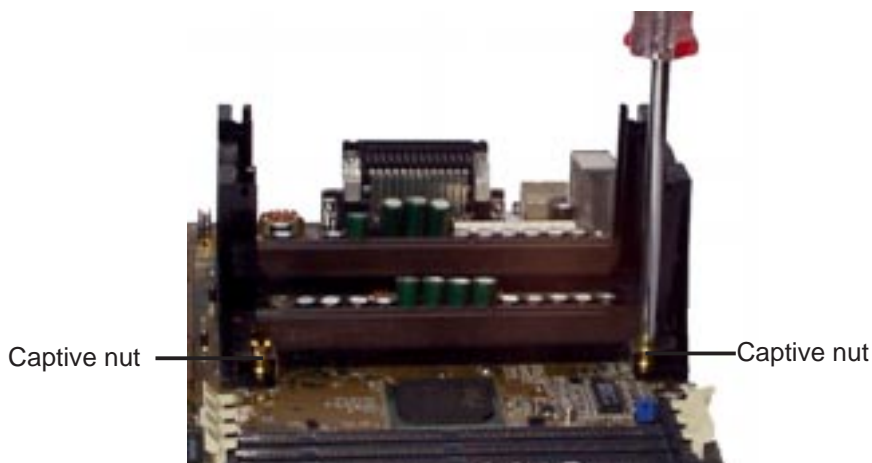
NOTE: Insert the screws into the encircled areas.

III. INSTALLATION

3. **Mount the Dual Processor Retention Mechanism:** The dual processor retention mechanism is designed to fit into the SEC slots only one way.

Be sure to align the notches in the retention mechanism with the small ribs (see preceding figure) on each side of the slots and that the mechanism is properly seated on the board. Then, screw the captive nuts in place.

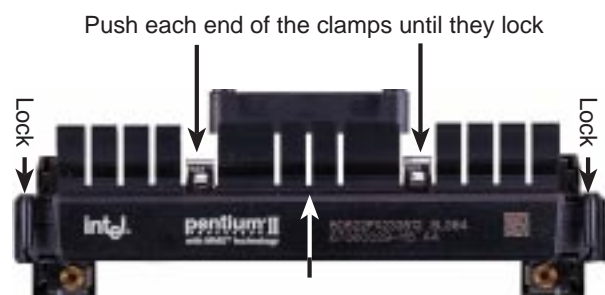
WARNING! Do not overtighten the captive nuts. Doing so could damage your motherboard. Tighten captive nuts to no more than 6 ± 1 inch/pound.



4. **Mount the Heatsink:** Place the SEC cartridge face down on a flat surface and lay the heatsink flush on the back (metal side) of the SEC cartridge. Be sure that the heatsink is firmly pressed against the SEC cartridge. When correctly installed, no light can be seen between the thermal pad of the heatsink and the SEC cartridge.

IMPORTANT: The heatsinks must not be more than 2.8 cm (1.1 inch) thick.

WARNING! If the heatsink is not mounted tightly against the SEC cartridge, the CPU will overheat. You may install an auxiliary fan to provide adequate circulation across the processor's passive heatsink.

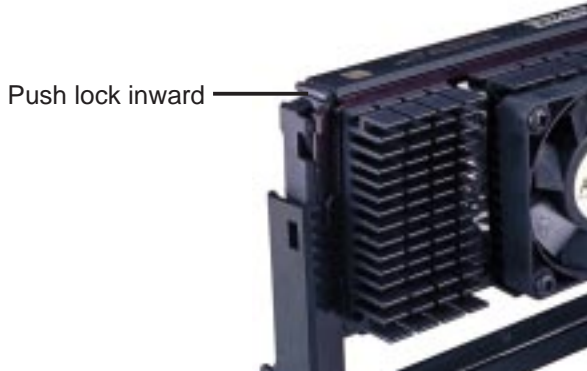


The thermal pad & SEC cartridge should not have a gap!

SEC Cartridge with Heatsink (Top View)

III. INSTALLATION

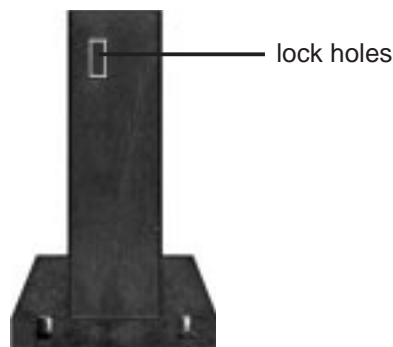
- 5. Insert the SEC Cartridge:** Push the SEC cartridge's two locks inward until you hear a click (the preceding picture shows the locks in the outward position and inward in the picture below). With the heatsink facing the motherboard's chipset, press the cartridge gently but firmly until it is fully inserted. (**NOTE:** The procedures shown here are for installing the AAVID heatsink with fan.)



IMPORTANT: If you are installing only one processor, you must install it in the SEC slot for CPU 1 (slot closest to the external connectors). Then terminate the empty slot with the ASUS C-P2T PC100 CPU termination card to maintain signal strength.

IMPORTANT: Use only the ASUS C-P2T PC100 CPU termination card (Rev. 1.02 or later) to terminate the empty slot.

- 6. Secure the SEC Cartridge:** Secure the SEC cartridge in place by pushing the SEC cartridge locks outward so that the lock shows through the retention mechanism's lock holes.



III. INSTALLATION

Recommended Heatsinks

The recommended heatsinks for the Pentium II processor are those with three-pin fans that can be connected to the CPU fan connector on the motherboard. These heatsinks have the added benefits of proper heat dissipation and with the LM78 hardware monitor, the ability to monitor the fan's RPM and use the alert function through the included LANDesk Client Manager (LDCM) software.

IMPORTANT: The heatsinks must not be more than 2.8 cm (1.1 inch) thick.



AAVID Heatsink



Elan Vital Heatsink



The procedures for installing the Elan Vital heatsink with fan is also similar to the steps for installing the Aavid heatsink. The Elan Vital heatsink, however, comes with a lever to clamp the heatsink into the SEC cartridge. Mount the heatsink in the orientation as shown then flip the lever from “Unlock” to “Lock.”

III. INSTALLATION

4. Expansion Cards

WARNING! Unplug your power supply when adding or removing expansion cards or other system components. Failure to do so may cause severe damage to both your motherboard and expansion cards.

Expansion Card Installation Procedure

1. Read the documentation for your expansion card and make any necessary hardware or software settings for your expansion card, such as jumpers.
2. Remove your computer system's cover and the bracket plate on the slot you intend to use. Keep the bracket for possible future use.
3. Carefully align the card's connectors and press firmly.
4. Secure the card on the slot with the screw you removed above.
5. Replace the computer system's cover.
6. Set up the BIOS if necessary
(such as *IRQ xx Used By ISA: Yes* in PNP AND PCI SETUP)
7. Install the necessary software drivers for your expansion card.

Assigning IRQs for Expansion Cards

Some expansion cards need to use an IRQ to operate. Generally, an IRQ must be exclusively assigned to one use. In a standard design, there are 16 IRQs available but most of them are already in use, leaving 6 IRQs free for expansion cards. If your motherboard has audio onboard, an extra 3 IRQs will be used, leaving 3 IRQs free.

Both ISA and PCI expansion cards may require to use IRQs. System IRQs are available to cards installed in the ISA expansion bus first, then any remaining IRQs are available to PCI cards. Currently, there are two types of ISA cards. The original ISA expansion card design, now referred to as legacy ISA cards, requires that you configure the card's jumpers manually and then install it in any available slot on the ISA bus. You may use the Microsoft Diagnostics (MSD.EXE) utility located in the Windows directory to see a map of your used and free IRQs. If you use Windows 95, the **Resources** tab under **Device Manager** displays the resource settings being used by a particular device (to gain access, double-click the **System** icon under the **Control Panel** program). Ensure that no two devices share the same IRQs or your computer will experience problems when those two devices are in use at the same time.

III. INSTALLATION

To simplify this process, this motherboard complies with the Plug and Play (PnP) specification, which was developed to allow automatic system configuration whenever a PnP-compliant card is added to the system. For PnP cards, IRQs are assigned automatically from those available.

If the system has both legacy and PnP ISA cards installed, IRQs are assigned to PnP cards from those not used by legacy cards. The PCI and PNP configuration section of the BIOS setup utility can be used to assign which IRQs are being used by legacy cards. For older legacy cards that do not work with the BIOS, you may contact your vendor for an ISA Configuration Utility.

An IRQ number is automatically assigned to PCI expansion cards after those used by legacy and PnP ISA cards. In the PCI bus design, the BIOS automatically assigns an IRQ to a PCI slot that contains a card requiring an IRQ. To install a PCI card, you need to set the INT (interrupt) assignment. Since all the PCI slots on this motherboard use an INTA #, set the jumpers on your PCI cards to INT A.

Assigning DMA Channels for ISA Cards

Some ISA cards, both legacy and PnP, may also need to use a DMA (Direct Memory Access) channel. DMA assignments for this motherboard are handled the same way as the IRQ assignment process described earlier. You can select a DMA channel in the PCI and PnP configuration section of the BIOS Setup utility.

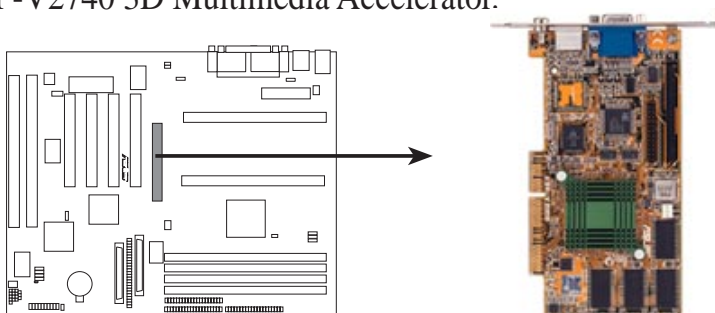
IMPORTANT: To avoid conflicts, reserve the necessary IRQs and DMAs for legacy ISA cards (under PNP AND PCI SETUP of the BIOS SOFTWARE, choose *Yes* in *IRQ xx Used By ISA* and *DMA x Used By ISA* for those IRQs and DMAs you want to reserve).

ISA Cards and Hardware Monitor

The onboard hardware monitor uses the address 290H-297H so legacy ISA cards must not use this address or else conflicts will occur.

Accelerated Graphics Port

This motherboard provides an accelerated graphics port (AGP) slot to support a new generation of graphics cards with ultra-high memory bandwidth, such as the ASUS AGP-V2740 3D Multimedia Accelerator.



P2B-D/DS Accelerated Graphics Port (AGP)

III. INSTALLATION

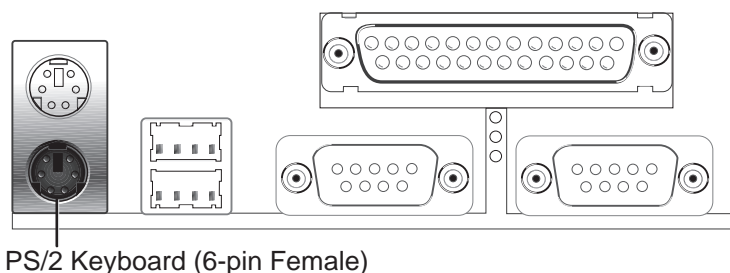
5. External Connectors

WARNING! Some pins are used for connectors or power sources. Placing jumper caps over these will cause damage to your motherboard.

IMPORTANT: Ribbon cables should always be connected with the red stripe on the Pin 1 side of the connector. The four corners of the connectors are labeled on the motherboard. Pin 1 is the side closest to the power connector on hard drives and floppy drives. IDE ribbon cable must be less than 46cm (18in), with the second drive connector no more than 15cm (6in) from the first connector.

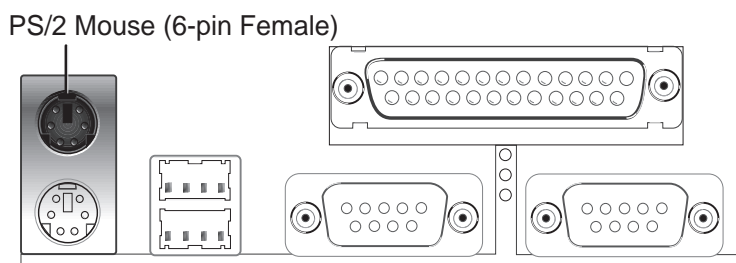
1. PS/2 Keyboard Connector (6-pin Female)

This connection is for a standard keyboard using an PS/2 plug (mini DIN). **This connector will not allow standard AT size (large DIN) keyboard plugs. You may use a DIN to mini DIN adapter on standard AT keyboards.**



2. PS/2 Mouse Connector (6-pin Female)

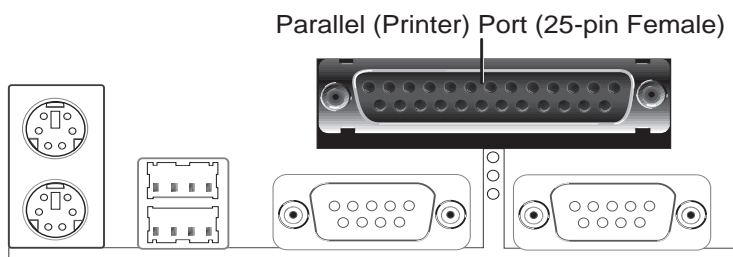
The system will direct IRQ12 to the PS/2 mouse if one is detected. If not detected, expansion cards can use IRQ12. See “PS/2 Mouse Function Control” in BIOS Features Setup of the BIOS SOFTWARE.



III. INSTALLATION

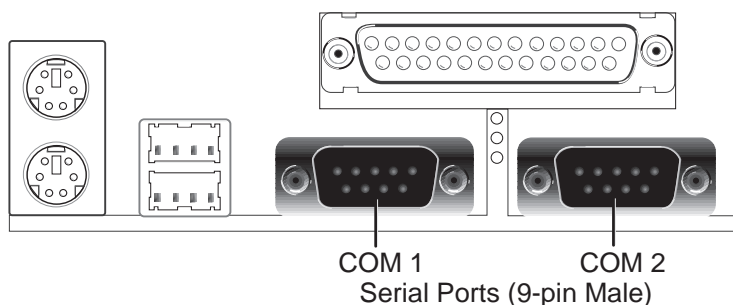
3. Parallel Printer Connector (25-pin Female)

You can enable the parallel port and choose the IRQ through “Onboard Parallel Port” in Chipset Features Setup of the BIOS SOFTWARE. **NOTE:** Serial printers must be connected to the serial port.



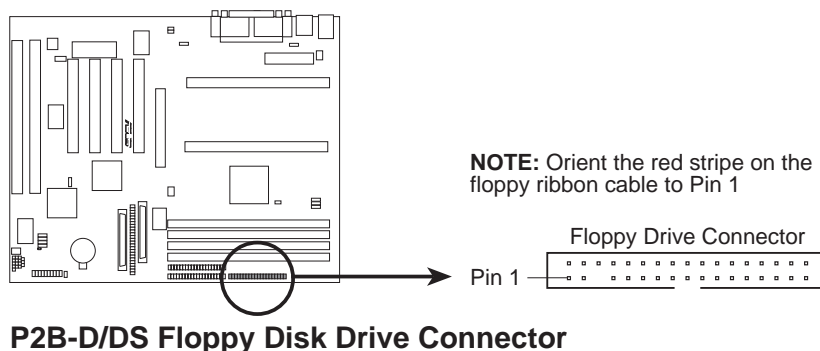
4. Serial Port COM1 and COM2 Connectors (Two 9-pin Male)

The two serial ports can be used for pointing devices or other serial devices. See “Onboard Serial Port...” in Chipset Features Setup of the BIOS SOFTWARE.



5. Floppy Disk Drive Connector (34-1pin FLOPPY)

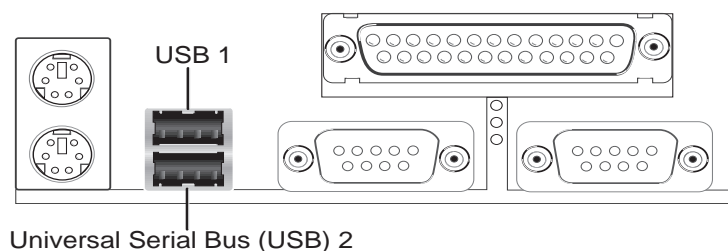
This connector supports the provided floppy disk drive ribbon cable. After connecting the single end to the board, connect the two plugs on the other end to the floppy drives. (**Pin 5 is removed to prevent inserting in the wrong orientation when using ribbon cables with pin 5 plugged**).



III. INSTALLATION

6. Universal Serial BUS Ports 1 & 2 (Two 4-pin Female)

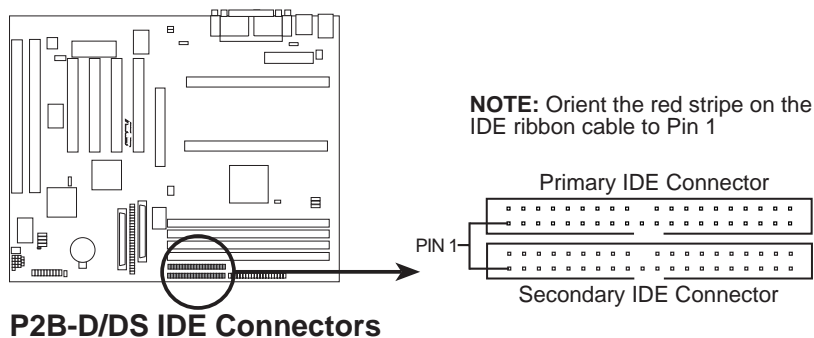
Two USB ports are available for connecting USB devices.



7. Primary / Secondary IDE connectors (Two 40-1pin IDE)

These connectors support the provided IDE hard disk ribbon cable. After connecting the single end to the board, connect the two plugs at the other end to your hard disk(s). If you install two hard disks, you must configure the second drive to Slave mode by setting its jumper accordingly. Please refer to the documentation of your hard disk for the jumper settings. BIOS now supports SCSI device or IDE CD-ROM bootup (see “HDD Sequence SCSI/IDE First” & “Boot Sequence” in the **BIOS Features Setup** of the BIOS SOFTWARE) (**Pin 20 is removed to prevent inserting in the wrong orientation when using ribbon cables with pin 20 plugged**).

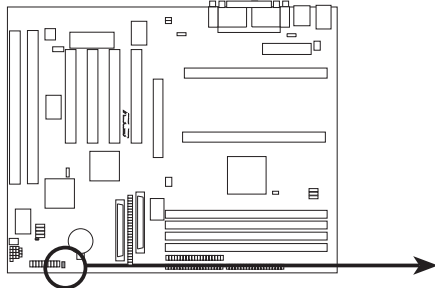
TIP: You may configure two hard disks to be both Masters using one ribbon cable on the primary IDE connector and another ribbon cable on the secondary IDE connector. You may install one operating system on an IDE drive and another on a SCSI drive and select the boot disk through BIOS Features Setup.



III. INSTALLATION

8. Hard Disk Activity LED (2-pin IDELED)

This connector supplies power to the cabinet's hard disk or IDE activity LED. Read and write activity by devices connected to the Primary or Secondary IDE connectors will cause the LED to light up.



TIP: If the case-mounted LED does not light, try reversing the 2-pin plug.

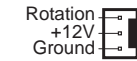
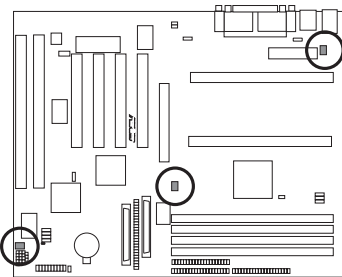
P2B-D/DS IDE Activity LED

9. Chassis, CPU, & Power Supply Fan Connectors (3-pin FAN)

These connectors support cooling fans of 500mA (6W) or less. Orientate the fans so that the heat sink fins allow airflow to go across the onboard heatsink(s) instead of the expansion slots. Depending on the fan manufacturer, the wiring and plug may be different. The red wire should be positive, while the black should be ground. Connect the fan's plug to the board taking into consideration the polarity of the this connector.

NOTE: The "Rotation" signal must only be used with fans specially designed with rotation signal.

WARNING! The CPU and/or motherboard will overheat if there is no airflow across the CPU and onboard heatsinks. Damage may occur to the motherboard and/or the CPU fan if these pins are incorrectly used. **These are not jumpers, do not place jumper caps over these pins.**



CPU Fan Power
Power Supply
Fan Power



Chassis
Fan Power

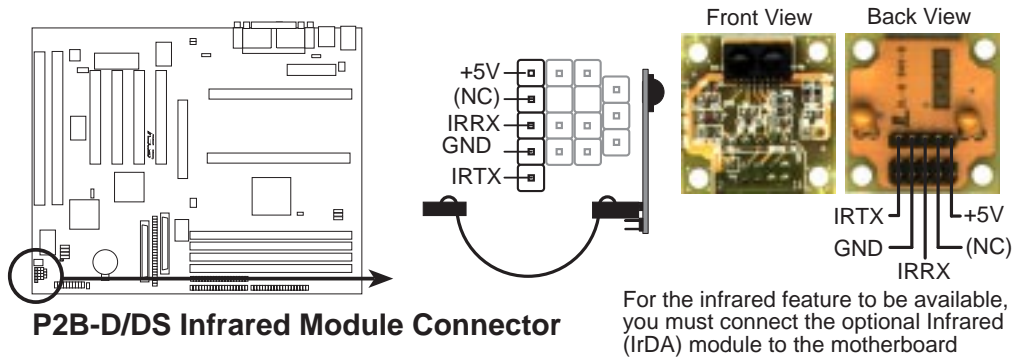
NOTE: If you are installing two processors, you may connect the fan from the second heatsink to either the power supply or chassis fan connector.

P2B-D/DS 12Volt Cooling Fan Power

III. INSTALLATION

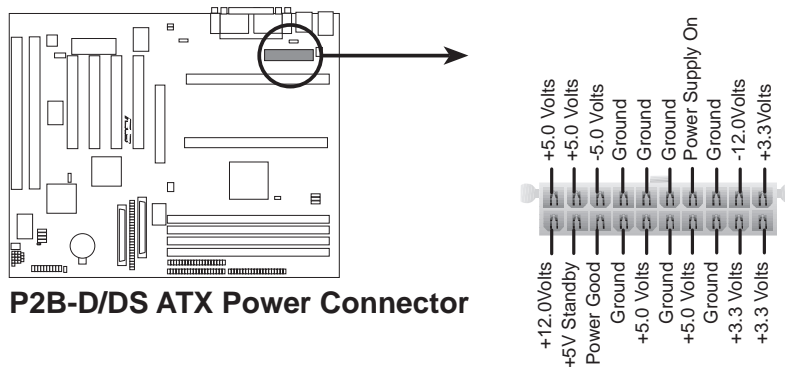
10. IrDA-Compliant infrared module connector (5-pin IR)

This connector supports the optional wireless transmitting and receiving infrared module. This module mounts to a small opening on system cases that support this feature. You must also configure the setting through “UART2 Use Infrared” in **Chipset Features Setup** to select whether UART2 is directed for use with COM2 or IrDA. Use the five pins as shown on the Back View and connect a ribbon cable from the module to the motherboard according to the pin definitions.



11. ATX Power Supply Connector (20-pin ATXPWR)

This connector connects to an ATX power supply. The plug from the power supply will only insert in one orientation because of the different hole sizes. Find the proper orientation and push down firmly but gently making sure that the pins are aligned.



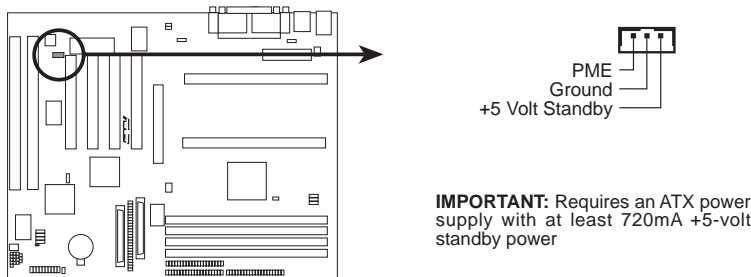
IMPORTANT: Make sure that your ATX power supply can supply at least 10mA on the 5-volt standby lead (+5VSB). You may experience difficulty in powering on your system if your power supply cannot support the load. For Wake on LAN support, your ATX power supply must supply at least 720mA.

III. INSTALLATION

12. Wake-On-LAN (3-pin WOL)

This connector connects to LAN cards with a Wake-On-LAN output, such as the ASUS PCI-L101 (see section VII. **ASUS LAN Card**). The connector powers up the system when a wakeup packet or signal is received through the LAN card.

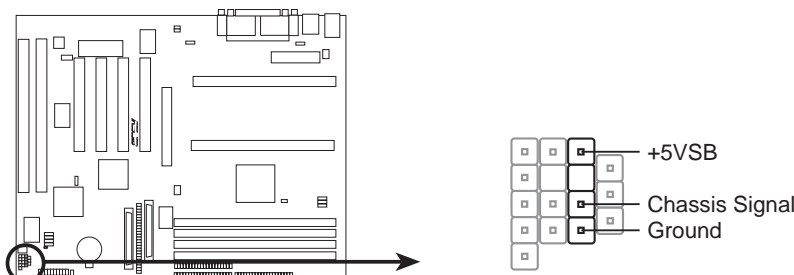
IMPORTANT: This feature requires that the **Wake-On-LAN Power Up Control** is set to *Enabled* (see “Power Management Setup” under IV. **BIOS SOFTWARE**) and that your system has an ATX power supply with at least 720mA +5V standby power.



P2B-D/DS Wake on LAN Connector

13. Chassis Intrusion Sensor Lead (CHASSIS) (optional/reserved)

This lead is for a chassis intrusion monitor or sensor. The sensor is triggered when a high level signal is sent to the CHASSIS lead. This occurs when the side panel is opened or drive bay doors are opened. This motherboard has a light detection on board, which detects extreme levels of light entering the chassis such as when the chassis is opened. This function is available only with the optional hardware monitor installed.



P2B-D/DS Chassis Open Alarm Lead

III. INSTALLATION

14. LED Lead (MSG.LED)

This indicates whether a message has been received from a fax/modem. The LED will remain lit when there is no signal and blink when there is data transfer or waiting in the inbox. This function requires ACPI OS and driver support.

15. SMI Suspend Switch Lead (SMI)

This allows the user to manually place the system into a suspend mode or “Green” mode where system activity is decreased to save electricity and expand the life of certain components when the system is not in use. This 2-pin connector connects to the case-mounted suspend switch. If you do not have a switch for the connector, you may use the “Turbo Switch”. SMI is activated when it detects a *short to open* moment and therefore leaving it shorted will not cause any problems. This may require one or two presses depending on the position of the switch. Wake-up can be controlled by settings in the BIOS but the keyboard will always allow wake-up (the SMI lead cannot wake up the system). If you want to use this connector, set “Suspend Mode” under the **Power Management Setup** of the BIOS SOFTWARE section to the preferred time after which the system must go into suspend mode when you press the switch.

16. ATX Power Switch / Soft Power Switch (PWR_SW)

The system power is controlled by a momentary switch connected to this lead. Pressing the button once will switch the system between ON and SLEEP. Pressing the switch while in the ON mode for more than 4 seconds will turn the system off. The system power LED shows the status of the system’s power.

17. Reset Switch Lead (RESET)

This 2-pin connector connects to the case-mounted reset switch for rebooting your computer without having to turn off your power switch. This is a preferred method of rebooting to prolong the life of the system’s power supply.

18. System Power LED (PWR_LED)

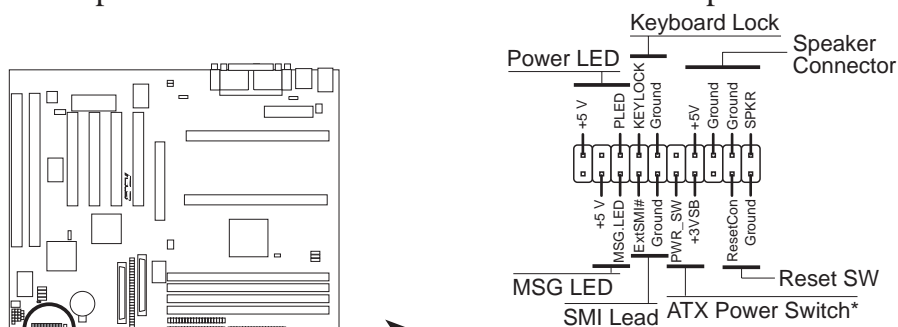
This 3-pin connector connects the system power LED, which lights when the system is powered on and blinks when it is in sleep mode.

19. Keyboard Lock Switch Lead (KEYLOCK)

This 2-pin connector connects to the case-mounted key switch to allow keyboard locking.

20. Speaker Connector (SPEAKER)

This 4-pin connector connects to the case-mounted speaker.



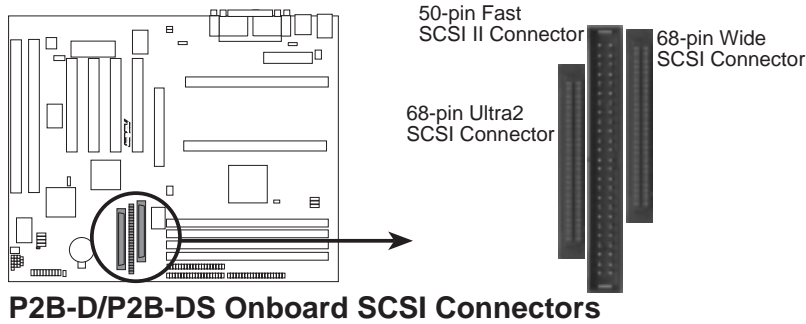
P2B-D/DS System Panel Connections

* Requires an ATX power supply.

III. INSTALLATION

21. Fast (50 pins)/Wide (68 pins)/Ultra2 (68 pins) SCSI Connectors

This motherboard has onboard 50-Pin Fast SCSI connector for 8-bit SCSI devices, 68-Pin Wide SCSI connector for 16-bit SCSI devices, and 68-Pin Ultra2 SCSI connector for 16-bit differential SCSI devices.

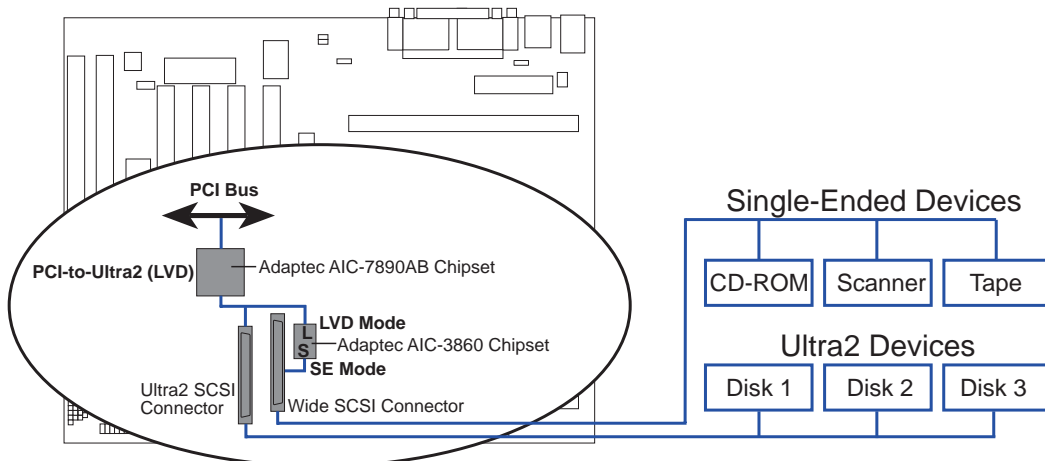


IMPORTANT: The 68-pin Wide SCSI Connector is always terminated and will only work as an end device.

NOTE: Up to 15 devices can be connected with 50-Pin Fast-SCSI and 68-Pin Ultra-Wide SCSI combined.

The onboard Adaptec AIC-7890AB chipset (optional) incorporates an advanced multimode I/O cell that supports both single-ended (SE) and Ultra2 devices. With Ultra2 devices, the SCSI bus platform performs at full Ultra2 speeds (up to 40 MB/sec in 8-bit mode and up to 80 MB/sec in 16-bit mode) and extended cabling 12m (or 25m in a point-to-point configuration). When an SE device is attached, the bus defaults to an SE speed and cable length.

In mixed environments of Ultra2 and SE devices, the onboard host adapter can be coupled with the Adaptec AIC-3860 transceiver chipset (optional) to bridge the compatibility gap. By dividing the SCSI bus into independent SE and low voltage differential (LVD) segments, the transceiver chipset supports legacy devices without limiting performance and cable length on the LVD segment.

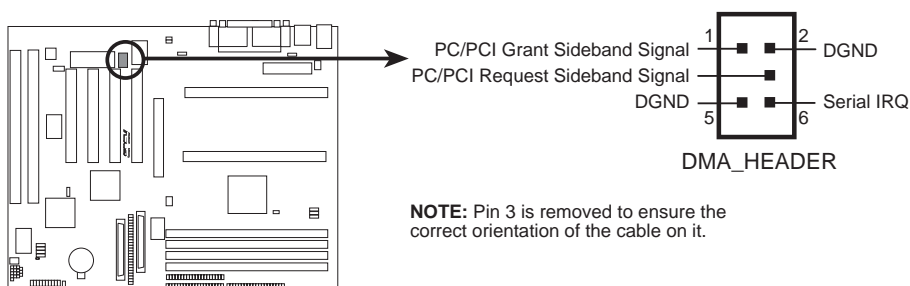


Ultra2 SCSI uses the same connectors and cables as UltraSCSI, so upgrading is easy and cost-effective.

III. INSTALLATION

22. SB-Link™ Connector (6-1 pin DMA_HEADER) (optional/reserved)

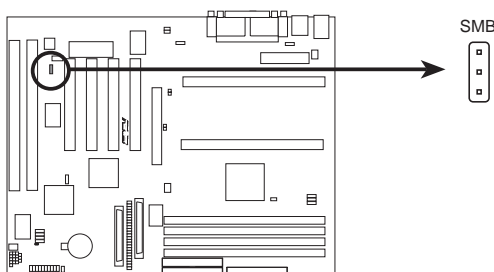
Using Intel's PC-PCI and serialized IRQ protocols found in this motherboard's AGPset, this connector allows Sound Blaster 16 compatibility to AWE64D (Digital) or other PCI audio cards, enabling users to play Real-mode DOS games and multimedia applications. SB-Link acts as a bridge between the motherboard and the PCI audio card by providing the DMA and IRQ signals present in the ISA bus but not available on the PCI bus.



P2B-D/DS SB-Link™ Connector

23. SMBus Connector (3-pin SMB) (optional/reserved)

This connector allows you to connect SMBus devices. SMBus devices communicate by means of the SMBus with an SMBus host and/or other SMBus devices. The SMBus or System Management Bus is a specific implementation of an I²C bus, which is a multi-master bus, that is, multiple chips can be connected to the same bus and each one can act as a master by initiating data transfer.



P2B-D/DS SMBus Connector

III. INSTALLATION

Power Connection Procedures

1. After all jumpers and connections are made, close the system case cover.
 2. Be sure that all switches are off (in some systems, marked with ○).
 3. Connect the power supply cord into the power supply located on the back of your system case according to your system user's manual.
 4. Connect the power cord into a power outlet that is equipped with a surge protector.
 5. You may then turn on your devices in the following order:
 - a. Your monitor
 - b. External SCSI devices (starting with the last device on the chain)
 - c. Your system power. For ATX power supplies, you need to switch on the power supply as well as press the ATX power switch on the front of the case.
 6. The power LED on the front panel of the system case will light. For ATX power supplies, the system LED will light when the ATX power switch is pressed. The monitor LED may light up after the system's if it complies with "green" standards or if it has a power standby feature. The system will then run power-on tests. While the tests are running, additional messages will appear on the screen. If you do not see anything within 30 seconds from the time you turn on the power, the system may have failed a power-on test. Recheck your jumper settings and connections or call your retailer for assistance.
 7. During power-on, hold down <Delete> to enter BIOS setup. Follow the instructions in the next section, BIOS SOFTWARE.
- * **Powering Off your computer:** You must first exit or shut down your operating system before switching off the power switch. For ATX power supplies, you can press the ATX power switch after exiting or shutting down your operating system. If you use Windows 95, click the **Start** button, click **Shut Down**, and then click **Shut down the computer?**. The system will give three quick beeps after about 30 seconds and then power off after Windows shuts down.

NOTE: The message "You can now safely turn off your computer" will not appear when shutting down with ATX power supplies.

IV. BIOS SOFTWARE

Flash Memory Writer Utility

This motherboard has an onboard SCSI BIOS and boot virus protection and therefore, requires a 2Mbit flash ROM.

AFLASH.EXE: This is the Flash Memory Writer utility that updates the BIOS by uploading a new BIOS file to the 2Mbit programmable flash ROM chip on the motherboard. To determine the BIOS version of your motherboard, check the last four numbers of the code displayed on the upper left-hand corner of your screen during bootup. Larger numbers represent a newer BIOS file. This file works only in DOS mode.

NOTE: The following screen displays are provided as examples only and may not reflect the screen contents displayed on your system.

```
ASUS ACPI BIOS
FLASH MEMORY WRITER V1.0
Copyright (C) 1994-98, ASUSTek COMPUTER INC.

Flash Memory: ATME1.AT29CB10A

Current BIOS Version: ASUS P2E-M ACPI BIOS Revision 1882
Chipset and Model   : I44BEX-P2E-M
BIOS Built Date    : 04/21/98

Choose one of the followings:
1. Save Current BIOS To File
2. Update BIOS including Boot Block and ESCD

Enter choice: [1]

Press ESC To Exit
```

IMPORTANT! If “unknown” is displayed after **Flash Memory:**, the memory chip is either not programmable or is not supported by the ACPI BIOS and therefore, cannot be programmed by the Flash Memory Writer utility.

Main Menu

1. Save Current BIOS To File

This option allows you to save a copy of the original motherboard BIOS in case you need to reinstall it. It is recommended that you save **AFLASH.EXE** and the BIOS file to a bootable floppy disk.

To save your current BIOS, type [1] at the **Main Menu** and then press <Enter>. The **Save Current BIOS To File** screen appears.

Type a filename and the path, for example, **A:\440BX-1** and then press <Enter>.

```
Save Current BIOS To File

Flash Memory: ATME1.AT29CB10A

Current BIOS Version: ASUS P2E-M ACPI BIOS Revision 1882
Chipset and Model   : I44BEX-P2E-M
BIOS Built Date    : 04/21/98

Please Enter File Name to Save: A:\440BX-1
```

IV. BIOS SOFTWARE

2. Update BIOS Including Boot Block and ESCD

This option updates the boot block, the baseboard BIOS, and the ACPI extended system configuration data (ESCD) parameter block from a new BIOS file. See the next page for procedures on downloading an updated BIOS file.

To update your current BIOS, type **2** at the **Main Menu** and then press <Enter>. The **Update BIOS Including Boot Block and ESCD** screen appears. Type the filename of your new BIOS and the path, for example, **A:\BX2I1002.AWD**, and then press <Enter>.

When prompted to confirm the BIOS update, press **Y** to start the update.

The utility starts to program the new BIOS information into the flash ROM. When the programming is finished, *Flashed Successfully* will be displayed.

Follow the onscreen instructions to continue.

```
Update BIOS Including Boot Block and ESCD
Flash Memory: ATMEL AT29CB10A
Current BIOS Version: ASUS P2E-M ACPI BIOS Revision 18B2
Chipset and Model : I44BEX-P2E-M
BIOS Built Date : 04/21/98
Please Enter File Name for NEW BIOS: 18B2EM.886
```

```
Update BIOS Including Boot Block and ESCD
Flash Memory: ATMEL AT29CB10A
BIOS Version
[ CURRENT ] ASUS P2E-M ACPI BIOS Revision 18B2
[ 18B2EM.886 ] ASUS P2E-M ACPI BIOS Revision 18B2
Chipset and Model
[ CURRENT ] I44BEX-P2E-M
[ 18B2EM.886 ] I44BEX-P2E-M
Date of BIOS Built
[ CURRENT ] 04/21/98
[ 18B2EM.886 ] 04/27/98
Are you sure (Y/N) ? [Y]
Press ESC To Return to Main Menu
```

```
Update BIOS Including Boot Block and ESCD
Flash Memory: ATMEL AT29CB10A
BIOS Version
[ CURRENT ] ASUS P2E-M ACPI BIOS Revision 18B2
[ 18B2EM.886 ] ASUS P2E-M ACPI BIOS Revision 18B2
Chipset and Model
[ CURRENT ] I44BEX-P2E-M
[ 18B2EM.886 ] I44BEX-P2E-M
Date of BIOS Built
[ CURRENT ] 04/21/98
[ 18B2EM.886 ] 04/27/98
Programming -- 1FFFF
Flashed Successfully
Press ESC To Continue
```

```
ASUS ACPI BIOS
FLASH MEMORY WRITER V1.8
Copyright (C) 1994-98, ASUSTek COMPUTER INC.
Flash Memory: ATMEL AT29CB10A
Current BIOS Version: ASUS P2E-M ACPI BIOS Revision 18B2
Chipset and Model : I44BEX-P2E-M
BIOS Built Date : 04/21/98
Choose one of the followings:
1. Save Current BIOS To File
2. Update BIOS Including Boot Block and ESCD
Enter choice: [1]
You have flashed the EPROM: it is recommended that you turn off
the power, enter SETUP and LOAD Setup Defaults to have CMOS
updated with new BIOS when exits.
Press ESC To Exit
```

IV. BIOS SOFTWARE

Managing and Updating Your Motherboard's BIOS

Upon First Use of the Computer System

1. Create a bootable system floppy disk by typing [FORMAT A:/S] from the DOS prompt without creating "AUTOEXEC.BAT" and "CONFIG.SYS" files.
2. Copy AFLASH.EXE to the just created boot disk.
3. Run AFLASH.EXE from this new disk and select option **1. Save Current BIOS to File**. See **1. Save Current BIOS To File** on the previous page for more details and the rest of the steps.

Updating BIOS Procedures (only when necessary)

1. Download an updated ASUS BIOS file from the Internet (WWW or FTP) or a BBS (Bulletin Board Service) (see ASUS CONTACT INFORMATION on page 3 for details) and save to the disk you created earlier.
2. Boot from the disk you created earlier.
3. At the "A:\\" prompt, type **AFLASH** and then press <Enter>.
4. At the **Main Menu**, type **2** and then press <Enter>. See **2. Update BIOS Including Boot Block and ESCD** on the previous page for more details and the rest of the steps.

WARNING! If you encounter problems while updating the new BIOS, DO NOT turn off your system since this might prevent your system from booting up. Just repeat the process, and if the problem still persists, reinstall the original BIOS file that you saved to disk earlier. If the Flash Memory Writer utility was not able to successfully update a complete BIOS file, your system may not be able to boot up. If this happens, your system will need service.

6. After successfully updating the new BIOS file, exit the Flash Memory Writer utility and then reboot.
7. Hold down <Delete> to enter BIOS setup. You must select "Setup Default" to effect the new BIOS, after which you may set the other items from the Main Menu.

IV. BIOS SOFTWARE

6. BIOS Setup

The motherboard supports two programmable Flash ROM chips: 5-Volt and 12-Volt. Either of these memory chips can be updated when BIOS upgrades are released. Use the Flash Memory Writer utility to download the new BIOS file into the ROM chip as described in detail in this section.

All computer motherboards provide a Setup utility program for specifying the system configuration and settings. If your motherboard came in a computer system, the proper configuration entries may have already been made. If so, invoke the Setup utility, as described later, and take note of the configuration settings for future reference; in particular, the hard disk specifications.

If you are installing the motherboard, reconfiguring your system or you receive a Run Setup message, you will need to enter new setup information. This section describes how to configure your system using this utility.

The BIOS ROM of the system stores the Setup utility. When you turn on the computer, the system provides you with the opportunity to run this program. This appears during the Power-On Self Test (POST). Press <Delete> to call up the Setup utility. If you are a little bit late pressing the mentioned key(s), POST will continue with its test routines, thus preventing you from calling up Setup. If you still need to call Setup, reset the system by pressing <Ctrl> + <Alt> + <Delete>, or by pressing the Reset button on the system case. You can also restart by turning the system off and then back on again. But do so only if the first two methods fail.

When you invoke Setup, the CMOS SETUP UTILITY main program screen will appear with the following options:



IV. BIOS SOFTWARE

Load Defaults

The “Load BIOS Defaults” option loads the minimum settings for troubleshooting. “Load Setup Defaults”, on the other hand, is for loading optimized defaults for regular use. Choosing defaults at this level, will modify all applicable settings.

A section at the bottom of the above screen displays the control keys for this screen. Take note of these keys and their respective uses. Another section just below the control keys section displays information on the currently highlighted item in the list.

Standard CMOS Setup

The “Standard CMOS Setup” option allows you to record some basic system hardware configuration and set the system clock and error handling. If the motherboard is already installed in a working system, you will not need to select this option anymore. However, if the configuration stored in the CMOS memory on the board gets lost or damaged, or if you change your system hardware configuration, you will need to respecify the configuration values. The configuration values usually get lost or corrupted when the power of the onboard CMOS battery weakens.



The preceding screen provides you with a list of options. At the bottom of this screen are the control keys for this screen. Take note of these keys and their respective uses.

User-configurable fields appear in a different color. If you need information on the selected field, press <F1>. The help menu will then appear to provide you with the information you need. The memory display at the lower right-hand side of the screen is read-only and automatically adjusts accordingly.

Details of Standard CMOS Setup

Date

To set the date, highlight the “Date” field and then press either <Page Up>/<Page Down> or <+>/<-> to set the current date. Follow the month, day and year format. Valid values for month, day and year are: **Month: (1 to 12), Day: (1 to 31), Year: (up to 2079)**

IV. BIOS SOFTWARE

Time

To set the time, highlight the “Time” field and then press either <Page Up>/<Page Down> or <+>/<-> to set the current time. Follow the hour, minute and second format. Valid values for hour, minute and second are: (**Hour: (00 to 23)**, **Minute: (00 to 59)**, **Second: (00 to 59)**).

NOTE: You can bypass the date and time prompts by creating an AUTOEXEC.BAT file. For information on how to create this file, please refer to the MS-DOS manual.

Hard Disks

This field records the specifications for all non-SCSI hard disk drives installed in your system. The onboard PCI IDE connectors provide Primary and Secondary channels for connecting up to four IDE hard disks or other IDE devices. Each channel can support up to two hard disks; the first of which is the “master” and the second is the “slave”.

Specifications for SCSI hard disks need not to be entered here since they operate using device drivers and are not supported by the BIOS. If you install other SCSI controller cards, refer to their respective documentations on how to install the required SCSI drivers.

For IDE hard disk drive setup, you can:

- Use the *Auto* setting for detection during bootup.
- Use the IDE HDD AUTO DETECTION in the main menu to automatically enter the drive specifications.
- Enter the specifications yourself manually by using the “User” option.

The entries for specifying the hard disk type include **CYLS** (number of cylinders), **HEAD** (number of read/write heads), **PRECOMP** (write precompensation), **LANDZ** (landing zone), **SECTOR** (number of sectors) and **MODE**. The **SIZE** field automatically adjusts according to the configuration you specify. The documentation that comes with your hard disk should provide you with the information regarding the drive specifications.

The **MODE** entry is for IDE hard disks only, and can be ignored for MFM and ESDI drives. This entry provides three options: *Normal*, *Large*, *LBA*, or *Auto* (see below). Set **MODE** to the *Normal* for IDE hard disk drives smaller than 528MB; set it to *LBA* for drives over 528MB that support Logical Block Addressing (LBA) to allow larger IDE hard disks; set it to *Large* for drives over 528MB that do not support LBA. *Large* type of drive can only be used with MS-DOS and is very uncommon. Most IDE drives over 528MB support the *LBA* mode.

IV. BIOS SOFTWARE

Auto detection of hard disks on bootup

For each field: Primary Master, Primary Slave, Secondary Master, and Secondary Slave, you can select *Auto* under the TYPE and MODE fields. This will enable auto detection of your IDE hard disk during bootup. This will allow you to change your hard disks (with the power off) and then power on without having to reconfigure your hard disk type. If you use older hard disks that do not support this feature, then you must configure the hard disk in the standard method as described earlier by the “User” option.

NOTE: After the IDE hard disk drive information has been entered into BIOS, new IDE hard disk drives must be partitioned (such as with FDISK) and then formatted before data can be read from and write on. Primary IDE hard disk drives must have its partition set to *active* (also possible with FDISK).

NOTE: SETUP Defaults are noted in parenthesis next to each function heading.

Drive A / Drive B (None)

These fields record the types of floppy disk drives installed in your system. The available options for drives A and B are: *360K, 5.25 in.; 1.2M, 5.25 in.; 720K, 3.5 in.; 1.44M, 3.5 in.; 2.88M, 3.5 in.; None*.

To enter the configuration value for a particular drive, highlight its corresponding field and then select the drive type using the left- or right-arrow keys.

Floppy 3 Mode Support (Disabled)

This is the Japanese standard floppy drive. The standard stores 1.2MB in a 3.5inch diskette. This is normally disabled but you may choose from either: *Drive A, Drive B, Both, and Disabled*

Video (EGA/VGA)

Set this field to the type of video display card installed in your system. The options are *EGA/VGA, CGA 40, CGA 80, and MONO* (for Hercules or MDA).

If you are using a VGA or any higher resolution card, choose *EGA/VGA*.

Halt On (All Errors)

This field determines which types of errors will cause the system to halt. Choose from *All Errors; No Errors; All,But Keyboard, All,But Diskette; and All,But Disk/Key*.

IV. BIOS SOFTWARE

BIOS Features Setup

The “BIOS Features Setup” option consists of configuration entries that allow you to improve your system performance, or let you set up some system features according to your preference. Some entries are required by the motherboard’s design to remain in their default settings.



A section at the lower right of the screen displays the control keys you can use. Take note of these keys and their respective uses. If you need information on a particular entry, highlight it and then press <F1>. A pop-up help menu will appear to provide you with the information you need. <F5> loads the last set values, <F6> and <F7> loads the BIOS default values and Setup default values, respectively.

NOTE: SETUP Defaults are noted in parenthesis next to each function heading.

Details of BIOS Features Setup

CPU Internal Core Speed (350MHz)

This function is reserved for future use and is currently disabled.

Boot Virus Detection (Enabled)

This field allows you to set boot virus detection, ensuring a virus-free boot sector. This new antivirus solution is unlike native BIOS tools, which offer limited virus protection typically by write-protecting the partition table. With this new solution, your computer is protected against boot virus threats earlier in the boot cycle, that is, before they have a chance to load into your system. This ensures your computer boots to a clean operating system. The system halts and displays a warning message when it detects a virus. If this occurs, you can either allow the operation to continue or use a virus-free bootable floppy disk to restart and investigate your system. Because of conflicts with new operating systems, for example, during installation of new softwares, you may have to set this to *Disabled* to prevent write errors.

IV. BIOS SOFTWARE

CPU Level 1 Cache / CPU Level 2 Cache (Enabled)

These fields allow you to choose from the default of *Enabled* or choose *Disabled* to turn on or off the CPU's Level 1 and Level 2 built-in cache.

CPU Level 2 Cache ECC Check (Disabled)

This function controls the ECC check capability in the CPU level 2 cache.

BIOS Update (Enabled)

This functions as an update loader integrated into the BIOS to supply the processor with the required data. The BIOS will load the update on all processors during system bootup in the default position of *Enabled*.

Turbo Mode (Enabled)

Leave this on the default setting of *Enabled* for best performance.

Quick Power On Self Test (Enabled)

This field speeds up the Power-On Self Test (POST) routine by skipping retesting a second, third, and fourth time. Setup default setting for this field is *Enabled*. A complete test of the system is done on each test.

HDD Sequence SCSI/IDE First (IDE)

When using both SCSI and IDE hard disk drives, IDE is always the boot disk using drive letter C (default setting of *IDE*). This new feature allows a SCSI hard disk drive to be the boot disk when set to *SCSI*. This allows multiple operating systems to be used on both IDE and SCSI drives or the primary operating system to boot using a SCSI hard disk drive.

Boot Sequence (A,C)

This field determines where the system looks first for an operating system. Options are *C,A*; *A,CDROM,C*; *CDROM,C,A*; *D,A*; *E,A*; *F,A*; *C only*; *LS/ZIP,C*; *LAN,A,C*; *LAN,C,A*. The setup default setting, *A, C*, is to check first the floppy disk and then the hard disk drive.

Boot Up Floppy Seek (Disabled)

When enabled, the BIOS will seek drive A once.

Floppy Disk Access Control (R/W)

This allows protection of files from the computer system to be copied to floppy disks by allowing the setting of *Read Only* to only allow reads from the floppy disk drive but not writes. The setup default *R/W* allows both reads and writes.

IDE HDD Block Mode Sectors (HDD MAX)

This field enhances hard disk performance by making multi-sector transfers instead of one sector per transfer. Most IDE drives, except older versions, can utilize this feature. Selections are *HDD MAX*, *Disabled*, *2*, *4*, *8*, *16*, and *32*.

HDD S.M.A.R.T. capability (Disabled)

This allows the enabling or disabling of the S.M.A.R.T. (Self-Monitoring, Analysis and Reporting Technology) system which utilizes internal hard disk drive monitoring technology. This feature is normally disabled because system resources used in this feature may decrease system performance.

IV. BIOS SOFTWARE

PS/2 Mouse Function Control (Auto)

The default of *Auto* allows the system to detect a PS/2 mouse on bootup. If detected, IRQ12 will be used for the PS/2 mouse. IRQ12 will be reserved for expansion cards if a PS/2 mouse is not detected. *Enabled* will always reserve IRQ12, whether on bootup a PS/2 mouse is detected or not.

OS/2 Onboard Memory > 64M (Disabled)

When using OS/2 operating systems with installed DRAM of greater than 64MB, you need to set this option to *Enabled* otherwise leave this on *Disabled*.

MPS 1.4 Support (Disabled)

This is reserved for future use, leave this on the default of *Disabled*.

.....

PCI/VGA Palette Snoop (Disabled)

Some display cards that are nonstandard VGA such as graphics accelerators or MPEG Video Cards may not show colors properly. The setting *Enabled* should correct this problem. Otherwise leave this on the setup default setting of *Disabled*.

Video ROM BIOS Shadow (Enabled)

This field allows you to change the video BIOS location from ROM to RAM. Relocating to RAM enhances system performance, as information access is faster than the ROM.

C8000-CBFFF to DC000-DFFFF (Disabled)

These fields are used for shadowing other expansion card ROMs. If you install other expansion cards with ROMs on them, you will need to know which addresses the ROMs use to shadow them specifically. Shadowing a ROM reduces the memory available between 640K and 1024K by the amount used for this purpose.

Boot Up NumLock Status (On)

This field enables users to activate the Number Lock function upon system boot.

Typematic Rate Setting (Disabled)

When enabled, you can set the two typematic controls listed next. Setup default setting is *Disabled*.

Typematic Rate (Chars/Sec) (6)

This field controls the speed at which the system registers repeated keystrokes. Options range from 6 to 30 characters per second. Setup default setting is **6**; other settings are 8, 10, 12, 15, 20, 24, and 30.

Typematic Delay (Msec) (250)

This field sets the time interval for displaying the first and second characters. Four delay rate options are available: 250, 500, 750, and 1000.

Security Option (System)

When you specify a *Supervisor Password* and/or *User Password* (explained later in this section), the Security Option field determines when the system prompts for the password. The default setting is **System**, where the system prompts for the User Password every time you start your system. The other option is *Setup*, where the system goes through its startup routine unless the Setup utility is called, when the system prompts for the Supervisor Password.

IV. BIOS SOFTWARE

Chipset Features Setup

The “Chipset Features Setup” option controls the configuration of the board’s chipset.



NOTE: SETUP Defaults are noted in parenthesis next to each function heading.

Details of Chipset Features Setup

SDRAM Configuration (By SPD)

This sets the optimal timings of settings for items 2–5, depending on the memory modules that you are using. Default setting is *By SPD*, which configures items 2–5 by reading the contents in the SPD (Serial Presence Detect) device. This 8-pin serial EEPROM device stores critical parameter information about the module, such as memory type, size, speed, voltage interface, and module banks.

SDRAM CAS Latency

This controls the latency between SDRAM read command and the time that the data actually becomes available. Leave on default setting.

SDRAM RAS to CAS Delay

This controls the latency between SDRAM active command and the read/write command. Leave on default setting.

SDRAM RAS Precharge Time

This controls the idle clocks after issuing a precharge command to SDRAM. Leave on default setting.

DRAM Idle Timer

This controls the idle clocks before closing an opened SDRAM page. Leave on default setting.

SDRAM MA Wait State (Normal)

This controls the leadoff clocks for CPU read cycles. Leave on default setting.

Snoop Ahead (Enabled)

Enabled will allow PCI streaming. Leave on default setting.

Host Bus Fast Data Ready (Disabled)

Leave on default setting.

IV. BIOS SOFTWARE

16-bit I/O Recovery Time (1 BUSCLK) / 8-bit I/O Recovery Time (1 BUSCLK)
Timing for 16-bit and 8-bit ISA cards, respectively. Leave on default setting.

Graphics Aperture Size (64MB)

Memory-mapped, graphics data structures can reside in a Graphics Aperture. Leave on default setting.

Video Memory Cache Mode (UC)

USWC (uncacheable, speculative write combining) is a new cache technology for the video memory of the processor. It can greatly improve the display speed by caching the display data. You must leave this on the default setting of UC (uncacheable) if your display card cannot support this feature, otherwise your system may not boot.

PCI 2.1 Support (Enabled)

This function allows you to enable or disable PCI 2.1 features including passive release and delayed transaction. Leave *Enabled* (default setting) for PCI 2.1 compliancy.

Memory Hole At 15M–16M (Disabled)

Enabling this feature reserves 15MB to 16MB memory address space to ISA expansion cards that specifically require this setting. This makes the memory from 15MB and up unavailable to the system. Expansion cards can only access memory up to 16MB. The default is *Disabled*.

DRAM are xx bits wide

If all your memory modules have ECC chips (e.g., 8 chips + 1 ECC chips), they are considered 72bits and the following will be displayed:

```
DRAM are 72 bits wide      ESC : Quit          F10+ : Select Item
Data Integrity Mode      : ECC      F1  : Help          F10/P10+/- : Modify
                               F5  : Old Values   (Shift)F2 : Color
                               F6  : Load BIOS  Defaults
                               F7  : Load Setup Defaults
```

If your memory modules do not have ECC chips (e.g., 8 chips), they are considered 64 bits and the following will be displayed instead:

```
DRAM are 64 (Not 72) bits wide  ESC : Quit          F10+ : Select Item
Data Integrity Mode             : Non-ECC F1  : Help          F10/P10+/- : Modify
                               F5  : Old Values   (Shift)F2 : Color
                               F6  : Load BIOS  Defaults
                               F7  : Load Setup Defaults
```

Data Integrity Mode (Non-ECC)

Non-ECC has byte-wise write capability but no provision for protecting data integrity in the memory module array. *EC-Only* data errors are detected but not corrected. *ECC* with hardware scrubbing allows a detection of single-bit and multiple-bit errors and recovery of single-bit errors. (See **2. System Memory**, section III for more information on memory modules.)

.....
Onboard FDC Controller (Enabled)

When *Enabled*, this field allows you to connect your floppy disk drives to the onboard floppy disk drive connector instead of a separate controller card. If you want to use a different controller card to connect the floppy disk drives, set this field to *Disabled*.

IV. BIOS SOFTWARE

Onboard FDC Swap A & B (No Swap)

This field allows you to reverse the hardware drive letter assignments of your floppy disk drives. Two options are available: *No Swap* and *Swap AB*. If you want to switch drive letter assignments through the onboard chipset, set this field to *Swap AB*.

Onboard Serial Port 1 (3F8H/IRQ4)

Settings are *3F8H/IRQ4*, *2F8H/IRQ3*, *3E8H/IRQ4*, *2E8H/IRQ10*, and *Disabled* for the onboard serial connector.

Onboard Serial Port 2 (2F8H/IRQ3)

Settings are *3F8H/IRQ4*, *2F8H/IRQ3*, *3E8H/IRQ4*, *2E8H/IRQ10*, and *Disabled* for the onboard serial connector.

Onboard Parallel Port (378H/IRQ7)

This field sets the address of the onboard parallel port connector. You can select either: *3BCH/IRQ 7*, *378H/IRQ 7*, *278H/IRQ 5*, *Disabled*. If you install an I/O card with a parallel port, ensure that there is no conflict in the address assignments. The PC can support up to three parallel ports as long as there are no conflicts for each port.

Parallel Port Mode (ECP+EPP)

This field allows you to set the operation mode of the parallel port. The setting *Normal*, allows normal-speed operation but in one direction only; *EPP* allows bidirectional parallel port operation at maximum speed; *ECP* allows the parallel port to operate in bidirectional mode and at a speed faster than the maximum unidirectional data transfer rate; *ECP+EPP* allows normal speed operation in a two-way mode.

ECP DMA Select (3)

This selection is available only if you select *ECP* or *ECP+EPP* in the **Parallel Port Mode**. Select either DMA Channel *1*, *3*, or *Disable*.

UART2 Use Infrared (Disabled)

When enabled, this field activates the onboard infrared feature and sets the second serial UART to support the infrared module connector on the motherboard. If your system already has a second serial port connected to the onboard COM2 connector, it will no longer work if you enable the infrared feature. By default, this field is set to *Disabled*, which leaves the second serial port UART to support the COM2 serial port connector. See **IrDA-compliant infrared module connector** under section III.

Onboard PCI IDE Enable (Both)

You can select to enable the *primary* IDE channel, *secondary* IDE channel, *both*, or *disable* both channels (for systems with only SCSI drives).

IDE Ultra DMA Mode (Auto)

This field autodetects Ultra DMA capability (for improved transfer speeds and data integrity) for compatible IDE devices. Set to *Disable* to suppress Ultra DMA capability.

IDE 0 Master/Slave PIO/DMA Mode, IDE 1 Master/Slave PIO/DMA Mode (Auto)

Each channel (0 and 1) has both a master and a slave making four IDE devices possible. Because each IDE device may have a different Mode timing (*0*, *1*, *2*, *3*, *4*), it is necessary for these to be independent. The default setting of *Auto* will allow autodetection to ensure optimal performance

IV. BIOS SOFTWARE

Power Management Setup

This “Power Management Setup” option allows you to reduce power consumption. This feature turns off the video display and shuts down the hard disk after a period of inactivity.



NOTE: SETUP Defaults are noted in parenthesis next to each function heading.

Details of Power Management Setup

Power Management (User Define)

This field acts as the master control for the power management modes. *Max Saving* puts the system into power saving mode after a brief period of system inactivity; *Min Saving* is almost the same as *Max Saving* except that this time the system inactivity period is longer; *Disable* disables the power saving features; *User Define* allows you to set power saving options according to your preference.

IMPORTANT: Advanced Power Management (APM) should be installed to keep the system time updated when the computer enters suspend mode activated by the BIOS Power Management. For DOS environments, you need to add the statement, `DEVICE=C:\DOS\POWER.EXE`, in you `CONFIG.SYS`. For Windows 3.x and Windows 95, you need to install Windows with the APM feature. A battery and power cord icon labeled “Power” will appear in the “Control Panel.” Choose “Advanced” in the Power Management Field.

Video Off Option (Suspend -> Off)

This field determines when to activate the video off feature for monitor power management. The settings are *Always On* and *Suspend -> Off*.

IV. BIOS SOFTWARE

Video Off Method (DPMS OFF)

This field defines the video off features. The following options are available: *DPMS OFF*, *DPMS Reduce ON*, *Blank Screen*, *V/H SYNC+Blank*, *DPMS Standby*, and *DPMS Suspend*. The DPMS (Display Power Management System) features allow the BIOS to control the video display card if it supports the DPMS feature. *Blank Screen* only blanks the screen (use this for monitors without power management or “green” features. If set up in your system, your screen saver will not display with *Blank Screen* selected). *V/H SYNC+Blank* blanks the screen and turns off vertical and horizontal scanning.

.....

PM Timers

This section controls the time-out settings for the Power Management scheme. The fields included in this section are “HDD Power Down”, which places the hard disk into its lowest power consumption mode, and the suspend mode which suspends the CPU.

The system automatically “wakes up” from any power saving mode when there is system activity such as when a key is pressed from the keyboard, or when there is activity detected from the enabled IRQ channels.

HDD Power Down (Disable)

Shuts down any IDE hard disk drives in the system after a period of inactivity. This time period is user-configurable to *1–15 Min* or *Disable*. This feature does not affect SCSI hard drives.

Suspend Mode (Disable)

Sets the period of time after which each of these modes activate: *30 sec*, *1 Min*, *2 Min*, *4 Min*, *8 Min*, *20 Min*, *30 Min*, *40 Min*, *1 Hour*, and *Disable*.

.....

Power Up Control

This section determines the ways the system can be controlled when it is started or restarted, when modem activity is detected, or when power to the computer is interrupted and reapplied. The Soft-Off mode refers to powering off the system through a momentary button switch (ATX switch) or through the software as opposed to disconnecting the AC power by way of a rocker switch or other means.

PWR Button < 4 Secs (Soft Off)

When set to *Soft Off*, the ATX switch can be used as a normal system power-off button when pressed for less than 4 seconds. *Suspend* allows the button to have a dual function where pressing less than 4 seconds will place the system in sleep mode. Regardless of the setting, holding the ATX switch for more than 4 seconds will power off the system.

IV. BIOS SOFTWARE

PWR Up On Modem Act (Enabled)

This allows either settings of *Enabled* or *Disabled* for powering up the computer (turns the ATX power supply on) when the modem receives a call while the computer is Soft-off.

NOTE: The computer cannot receive or transmit data until the computer and applications are fully running, thus connection cannot be made on the first try. Turning an external modem off and then back on while the computer is off causes an initialization string that will also cause the system to power on.

AC PWR Loss Restart (Disabled)

This allows you to set whether you want your system to boot up after the power has been interrupted. *Disabled* leaves your system off after reapplying power and *Enabled* boots up your system after reapplying power.

Wake On LAN (Enabled)

This allows you to remotely power up your system through your network by sending a wake-up frame or signal. With this feature, you can remotely upload/download data to/from systems during off-peak hours. Set to *Enabled* to set this feature.

IMPORTANT: This feature requires an ASUS PCI-L101 LAN card (see VII. **ASUS LAN Card**) and an ATX power supply with at least 720mA +5V standby power.

Automatic Power Up (Disabled)

This allows you to have an unattended or automatic power up of your system. You may configure your system to power up at a certain time of the day by selecting *Everyday*, which will allow you to set the time or at a certain time and day by selecting *By Date*.

.....

Fan Monitor (xxxxRPM)

The onboard hardware monitor is able to detect the Chassis Fan Speed, CPU Fan Speed, and the Power Supply Fan Speed in Rotations Per Minute (RPM). These values refresh upon any key entries in the BIOS setup screen. Set to *Ignore* if one of these are not used so that error messages will not be given.

.....

Thermal Monitor (xxxC/xxxF)

The onboard hardware monitor is able to detect the CPU and MB (motherboard) temperatures. These values refresh upon key entries. Set to *Ignore* only if necessary.

.....

Voltage Monitor (xx.xV)

The onboard hardware monitor is able to detect the voltages put out by the voltage regulators. These values refresh upon key entries. Set to *Ignore* only if necessary.

NOTE: If any of the monitored items are out of range, an error message will appear: "Hardware Monitor found an error, enter POWER MANAGEMENT SETUP for details". You will then be prompted to "Press **F1** to continue, **DEL** to enter SETUP".

IV. BIOS SOFTWARE

PNP and PCI Setup

The “PNP and PCI Setup” option configures the PCI bus slots. All PCI bus slots on the system use INTA#, thus all installed PCI cards must be set to this value.



NOTE: SETUP Defaults are noted in parenthesis next to each function heading.

Details of PNP and PCI Setup

PNP OS Installed (No)

This field allows you to use a Plug-and-Play (PnP) operating system to configure the PCI bus slots instead of using the BIOS. Thus interrupts may be reassigned by the OS when *Yes* is selected. When a non-PnP OS is installed or to prevent reassigning of interrupt settings, select the default setting of *No*.

Slot 1 (RIGHT) IRQ to Slot 4/5 (LEFT) IRQ (Auto)

These fields set how IRQ use is determined for each PCI slot. The default setting for each field is *Auto*, which uses auto-routing to determine IRQ use. The other options are manual settings of *NA*, *5*, *7*, *9*, *10*, *11*, *12*, *14* or *15* for each slot.

PCI Latency Timer (32 PCI Clock)

The default setting of *32 PCI Clock* enables maximum PCI performance for this motherboard.

IRQ xx Used By ISA (No/ICU)

These fields indicate whether or not the displayed IRQ for each field is being used by a legacy (non-PnP) ISA card. Two options are available: *No/ICU* and *Yes*. The first option, the default value, indicates either that the displayed IRQ is not used or an ISA Configuration Utility (ICU) is being used to determine if an ISA card is using that IRQ. If you install a legacy ISA card that requires a unique IRQ, and you are not using an ICU, you must set the field for that IRQ to *Yes*. For example: If you install a legacy ISA card that requires IRQ 10, then set **IRQ10 Used By ISA** to *Yes*.

.....

IV. BIOS SOFTWARE

DMA x Used By ISA (No/ICU)

These fields indicate whether or not the displayed DMA channel for each field is being used by a legacy (non-PnP) ISA card. Available options include: *No/ICU* and *Yes*. The first option, the default setting, indicates either that the displayed DMA channel is not used or an ICU is being used to determine if an ISA card is using that channel. If you install a legacy ISA card that requires a unique DMA channel, and you are not using an ICU, you must set the field for that channel to *Yes*.

ISA MEM Block BASE (No/ICU)

This field allows you to set the base address and block size of a legacy ISA card that uses any memory segment within the C800H and DFFFH address range. If you have such a card, and you are not using an ICU to specify its address range, select a base address from the six available options; the **ISA MEM Block SIZE** field will then appear for selecting the block size. If you have more than one legacy ISA card in your system that requires to use this address range, you can increase the block size to either 8K, 16K, 36K, or 64K. If you are using an ICU to accomplish this task, leave **ISA MEM Block BASE** to its default setting of *No/ICU*.

Onboard AHA BIOS (Auto)

The default uses *Auto* settings for the onboard Adaptec 7890 SCSI BIOS. If you do not want to use the onboard Adaptec 7890 SCSI BIOS, choose *Disabled*.

ONB AHA BIOS First (No)

This field allows giving priority to the onboard SCSI BIOS for SCSI functions over other SCSI controllers. The default is *No*.

ONB SCSI SE Term. (Enabled)

This allows you to enable or disable the onboard termination for single-ended (SE) devices, such as scanners, CD-ROMS, or tape drives. The default is *Enabled*.

ONB SCSI LVD Term. (Enabled)

This allows you to enable or disable the onboard termination for Ultra2 devices, such as disk drives, using low voltage differential (LVD) technology. LVD allows the onboard SCSI chipset to support a maximum of 15 devices on a 12m cable, a fourfold increase over UltraSCSI cable length. In a point-to-point configuration, the cabling can be extended up to 25m. This increased length allows greater flexibility in your system configuration, especially in RAID and clustering applications. The default for this field is *Enabled*.

USB IRQ (Enabled)

Enabled reserves an IRQ# for the USB to work, *Disabled* does not allow the USB to have an IRQ# and therefore prevents the USB from functioning. If you are not using any USB devices, you may set this feature to *Disabled* to save an extra IRQ# for expansion cards.

VGA BIOS Sequence (PCI/AGP)

You can select the search order for your VGA card(s). *PCI/AGP* will detect PCI VGA cards before AGP, and *AGP/PCI* will detect AGP cards before PCI VGA.

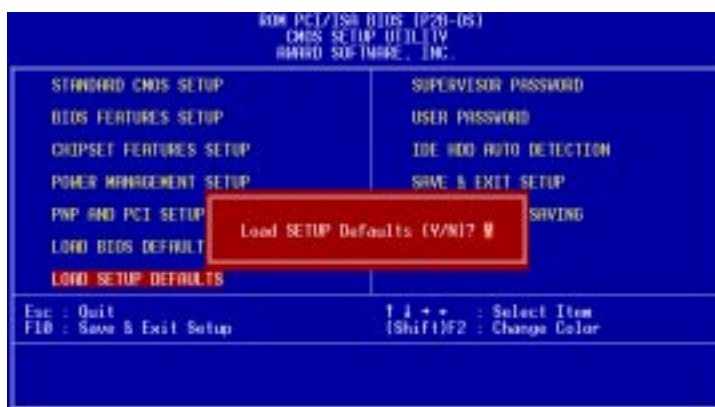
IV. BIOS SOFTWARE

Load BIOS Defaults

The “Load BIOS Defaults” option allows you to load the troubleshooting default values permanently stored in the BIOS ROM. These default settings are non-optimal and disable all high performance features. To load these default settings, highlight “Load BIOS Defaults” on the main screen and then press <Enter>. The system displays a confirmation message on the screen. Press <Y> and then <Enter> to confirm. Press <N> and then <Enter> to abort. This feature does not affect the fields on the Standard CMOS Setup screen.

Load Setup Defaults

The “Load Setup Defaults” option allows you to load the default values to the system configuration fields. These default values are the optimized configuration settings for the system. To load these default values, highlight “Load Setup Defaults” on the main screen and then press <Enter>. The system displays a confirmation message on the screen. Press <Y> and then <Enter> to confirm. Press <N> and then <Enter> to abort. This feature does not affect the fields on the Standard CMOS Setup screen.



IV. BIOS SOFTWARE

Supervisor Password and User Password

These two options set the system passwords. “Supervisor Password” sets a password that will be used to protect the system and the Setup utility; “User Password” sets a password that will be used exclusively on the system. By default, the system comes without any passwords. To specify a password, highlight the type you want and then press <Enter>. A password prompt appears on the screen. Taking note that the password is case sensitive, and can be up to 8 alphanumeric characters long, type in your password and then press <Enter>. The system confirms your password by asking you to type it again. After setting a password, the screen automatically reverts to the main screen.



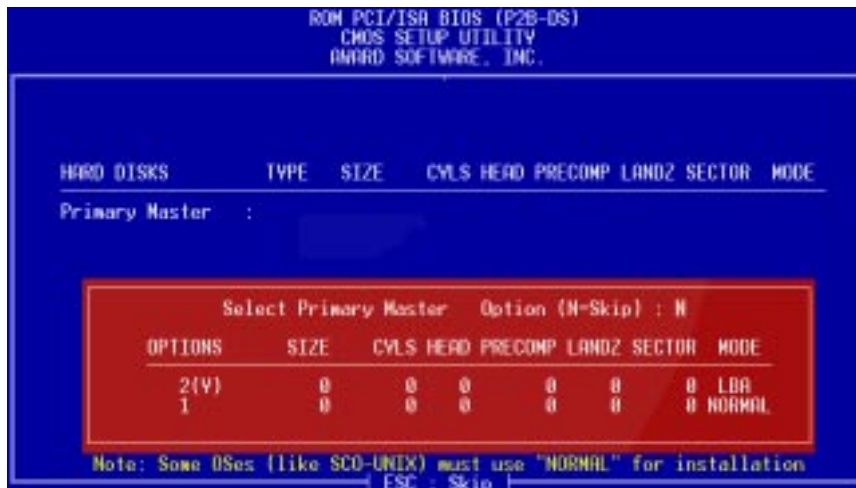
To implement password protection, specify in the “Security Option” field of the BIOS Features Setup screen when the system will prompt for the password. If you want to disable either password, press <Enter> instead of entering a new password when the “Enter Password” prompt appears. A message confirms the password has been disabled.

NOTE: If you forget the password, see **Clear Time Clock (Jumpers)** in section III for procedures on clearing the CMOS.

IV. BIOS SOFTWARE

IDE HDD Auto Detection

This “IDE HDD Auto Detection” option detects the parameters of an IDE hard disk drive, and automatically enters them into the Standard CMOS Setup screen.



Up to four IDE drives can be detected, with parameters for each listed inside the box. To accept the optimal entries, press <Y> or else select from the numbers displayed under the OPTIONS field (2, 1, 3 in this case); to skip to the next drive, press <N>. If you accept the values, the parameters will appear listed beside the drive letter on the screen. The process then proceeds to the next drive letter. Pressing <N> to skip rather than to accept a set of parameters causes the program to enter zeros after that drive letter.

Remember that if you are using another IDE controller that does not feature Enhanced IDE support for four devices, you can only install two IDE hard disk drives. Your IDE controller must support the Enhanced IDE features in order to use Drive E and Drive F. The onboard PCI IDE controller supports Enhanced IDE, with two connectors for connecting up to four IDE devices. If you want to use another controller that supports four drives, you must disable the onboard IDE controller in the Chipset Features Setup screen.

When auto-detection is completed, the program automatically enters all entries you accepted on the field for that drive in the Standard CMOS Setup screen. Skipped entries are ignored and are not entered in the screen.

If you are auto-detecting a hard disk that supports the LBA mode, three lines will appear in the parameter box. Choose the line that lists LBA for an LBA drive. Do not select Large or Normal.

The auto-detection feature can only detect one set of parameters for a particular IDE hard drive. Some IDE drives can use more than one set. This is not a problem if the drive is new and empty.

IV. BIOS SOFTWARE

IMPORTANT: If your hard disk was already formatted on an older previous system, incorrect parameters may be detected. You will need to enter the correct parameters manually or use low-level format if you do not need the data stored on the hard disk.

If the parameters listed differ from the ones used when the disk was formatted, the disk will not be readable. If the auto-detected parameters do not match the ones that should be used for your disk, do not accept them. Press <N> to reject the presented settings and enter the correct ones manually from the Standard CMOS Setup screen.

Save & Exit Setup

Select this option to save into the CMOS memory all modifications you specified during the current session. To save the configuration changes, highlight the “Save & Exit Setup” option on the main screen, type “Y”, and then press <Enter>.



IV. BIOS
Save & Exit

Exit Without Saving

Select this option to exit the Setup utility without saving the modifications you specify during the current session. To exit without saving, highlight the “Exit Without Saving” option on the main screen and then press <Enter>.

V. SUPPORT SOFTWARE

ASUS Smart Motherboard Support CD

Inserting the support CD brings up a selection menu described as follows:

NOTE: CD version and contents are subject to change at any time without notice.

- **ASUS PC Probe Utility:** Installs a simple software to monitor your computer's fan, temperature, and voltages.

NOTE: This utility will not run with LDCM installed.

- **LDCM Local Setup:** Installs software to monitor the local system. The LANDesk Client Manager must be installed in order to use the hardware manager features.
- **LDCM Administrator Setup:** Installs software to monitor PC systems on the network within the same bridge address with the Local software installed. The administrator should install both Local and Administrator Software.
- **PC-cillin Lite:** Installs PC-cillin Lite, a virus scanning software package.
- **Adobe Acrobat Reader:** Installs the Adobe Acrobat Reader software necessary to view the LDCM manual in the LDCM directory.
- **BusMaster:** Installs the Intel BusMaster IDE drivers.
- **Patch for PIIX4 chipset:** Installs the necessary drivers for PCI card and PCI bridge for Windows 95/95a (OSR1) and 95b (OSR2) for ASUS motherboards.
- **Browse this CD:** Allows you to see the contents of the ASUS support CD.
- **Technical Support Form:** Allows you to view the Technical Support Form (with a text editor, such as Notepad).
- **LDCM Introduction (MPEG):** Shows a video on the LDCM features.
- **Read Me:** Allows you to view additional notes with a text editor, such as Notepad.
- **Exit:** Exits the selection menu .

Additional CD Contents: DMI Configuration Utility in the **DMI** directory and Flash BIOS writer in the **AFLASH** directory.

VI. DESKTOP MANAGEMENT

Desktop Management Interface (DMI)

Introducing the ASUS DMI Configuration Utility

This motherboard supports DMI within the BIOS level and provides a DMI Configuration Utility to maintain the Management Information Format Database (MIFD). DMI is able to auto-detect and record information pertinent to a computer's system such as the CPU type, CPU speed, and internal/external frequencies, and memory size. The onboard BIOS will detect as many system information as possible and store those collected information in a 4KB block in the motherboard's Flash EPROM and allow the DMI to retrieve data from this database. Unlike other BIOS software, the BIOS on this motherboard uses the same technology implemented for Plug and Play to allow dynamic real-time updating of DMI information versus creating a new BIOS image file and requiring the user to update the whole BIOS. This DMI Configuration Utility also allows the system integrator or end user to add additional information into the MIFD such as serial numbers, housing configurations, and vendor information. Those information not detected by the motherboard BIOS and has to be manually entered through the DMI Configuration Utility and updated into the MIFD. This DMI Configuration Utility provides the same reliability as PnP updating and will prevent the refreshing failures associated with updating the entire BIOS.

System Requirements

The DMI Configuration Utility (DMICFG2.EXE) must be used in real mode in order for the program to run, the base memory must be at least 180K. Memory managers like HIMEM.SYS (required by windows) must not be installed. You can boot up from a system diskette without AUTOEXEC.BAT and CONFIG.SYS files, "REM" HIMEM.SYS in the CONFIG.SYS, or press <F5> during bootup to bypass your AUTOEXEC.BAT and CONFIG.SYS files.

VI. DESKTOP MANAGEMENT

Using the ASUS DMI Configuration Utility

NOTE: The following screen displays are provided as examples only and may not reflect the screen contents on your system.

Edit DMI (or delete)



Use the ←→ (left-right) cursors to move between the top menu items and the ↑↓ (up-down) cursors to move between the left hand menu items. The bottom of the screen will show the available keys for each screen. Press enter at the menu item to enter the right hand screen for editing. “Edit component” appears on top. The reversed color field is the current cursor position and the blue text are available for editing. The orange text shows autodetected information and are not available for editing. With your cursor under the **BIOS Characteristics** field, pressing <Enter> will bring a second pop-up menu. Use the + - (plus-minus) keys to change the settings. Enter to exit *and save*, ESC to exit *and not save*.

If the user has made changes, ESC will prompt you to answer Y or N. Enter Y to go back to the left-hand screen *and save*, enter N to go back to left-hand screen and *not save*. If editing has not been made, ESC will send you back to the left hand menu without any messages.

Notes

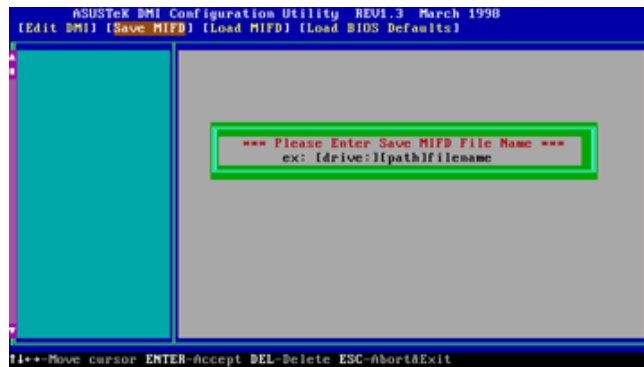
A heading, *** BIOS Auto Detect *** appears on the right for each menu item on the left side that has been auto detected by the system BIOS.

A heading, *** User Modified *** will appear on the right for menu items that have been modified by the user.



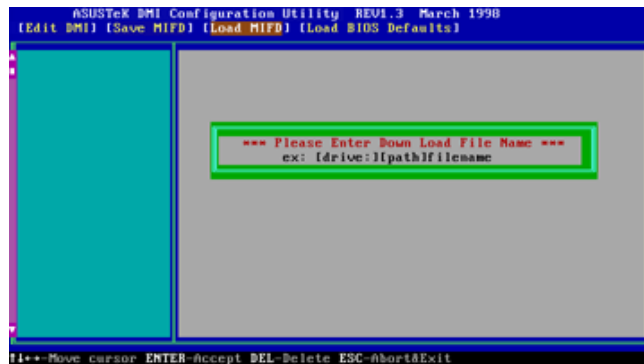
VI. DESKTOP MANAGEMENT

Save MIFD



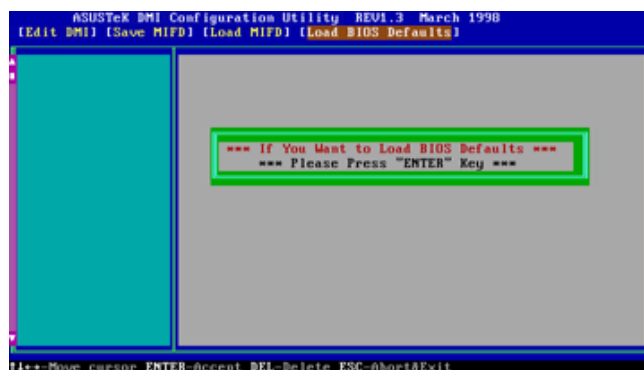
You can save the MIFD (normally only saved to flash ROM) to a file by entering the drive and path here. If you want to cancel save, you may press ESC and a message “Bad File Name” appears here to show it was not saved.

Load MIFD



You can load the disk file to memory by entering a drive and path and file name here.

Load BIOS Defaults

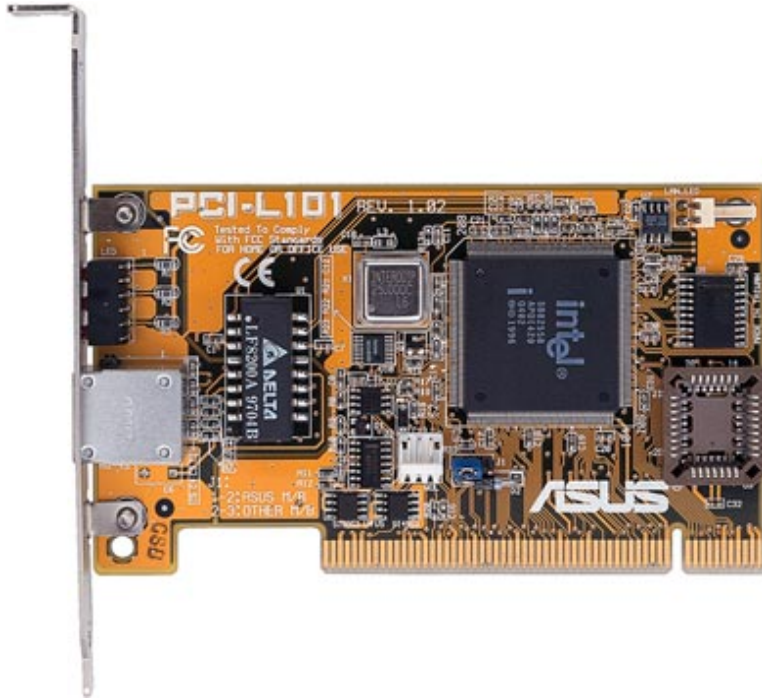


You can load the BIOS defaults from a MIFD file and can clear all user modified and added data. You must reboot your computer in order for the defaults to be saved back into the Flash BIOS.

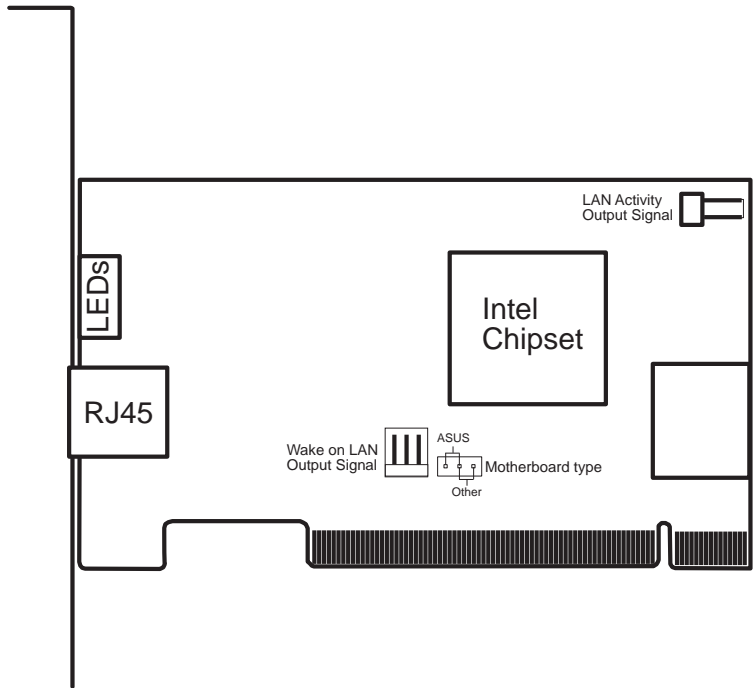
(This page was intentionally left blank.)

VII. ASUS LAN Card

ASUS PCI-L101 Fast Ethernet Card



VII. ASUS LAN Card
PCI-L101 LAN Card



If you are using the ASUS PCI-L101 on an ASUS motherboard, leave the jumper on its default setting of “ASUS.” If you are using another brand of motherboard, set the jumper to “Other.” Connect the Wake on LAN (WOL) output signal to the motherboard’s WOL_CON in order to utilize the wake on LAN feature of the motherboard. Connect the LAN activity output signal (LAN_LED) to the system cabinet’s front panel LAN_LED in order to display the LAN data activity.

VII. ASUS LAN Card

Features

- Intel 82558 Ethernet LAN Controller (Fully integrated 10BASE-T/100BASE-TX)
- Wake-On-LAN Remote Control Function Supported
- PCI Bus Master Complies to PCI Local Bus Rev. 2.1 specifications
- Consists of MAC & PHY (10/100Mbps) interfaces
- Complies to IEEE 802.3 10BASE-T and IEEE 802.3u 100BASE-TX interfaces
- Fully supports 10BASE-T & 100BASE-TX operations through a single RJ45 port
- Supports 32-bit Bus Master Technology / PCI Rev. 2.1
- Enhancements on ACPI & APM
- Adheres to PCI Bus Power Management Interface Rev. 1.0, ACPI Rev. 1.0, and Device Class Power Management Rev. 1.0
- IEEE 802.3u auto-negotiation for 10Mbps/100Mbps Network Data Transfer Rates.
- Provides LED indicators for monitoring network conditions
- Plug and Play

Software Driver Support

- **NetWare ODI Drivers** - Novell Netware 3.x, 4.x, DOS, OS/2 Client
- **NDIS 2.01 Drivers** - Microsoft LAN Manager, Microsoft Windows 3.11, IBM LAN Server
- **NDIS 3.0 Drivers** - Microsoft Windows NT, Microsoft Windows 95, Microsoft Windows 3.11

Question and Answer

Q: What is Wake-On-LAN ?

A: The Wake-On-LAN feature provides the capability to remotely power on systems supporting Wake-On-LAN by simply sending a wake-up frame. With this feature, remotely uploading/downloading data to/from systems during off-peak hours will be feasible.

Q: What can Wake-On-LAN do for you ?

A: Wake-On-LAN is a remote management tool with advantages that can reduce system management workload, provide flexibility to the system administrator's job, and then of course save you time-consuming efforts and costs.

Q: What components does Wake-On-LAN require to be enable?

A: To enable Wake-On-LAN function, your system requires Ethernet LAN adapter card that can activate Wake-On-LAN function, a client with Wake-On-LAN capability, and software such as LDCM Rev. 3.10 or up that can trigger wake-up frame.

VIII. ADAPTEC SCSI SELECT

Configuring the SCSI Adapter

Access the SCSI BIOS by holding down both **CTRL** and **A** keys when you see the BIOS banner message listing the driver name and the attached devices. For example:

**Adaptec AIC-7890 SCSI BIOS Build 20107
(c) 1998 Adaptec, Inc. All Rights Reserved.**

<<< Press <Ctrl><A> for SCSISelect(TM) Utility! >>>

The SCSISelect screen will come up. Instructions on how to move the cursor and select options are listed on the bottom of the program windows.

SCSI Disk Utilities

The SCSI Disk Utilities option displays information on SCSI IDs 0 through 15, listing all devices on the bus including non-disk devices. When you select a device from the list and press Enter key, another window appears giving you the option of selecting one of two sub-utilities, **Format Disk** or **Verify Media**. These utilities are used for hard disk drives only and will have no effect on other non-disk SCSI devices.

Format Disk - low-level formats your SCSI hard disks. In general, SCSI hard disks have already been low-level formatted when you get them, so you generally do not need to use this function.

Verify Media - scans the selected drive media for defects, notifies you of any defects found and gives you the option of reassigning bad blocks so that data will not be written to them. This utility is only necessary if you suspect that your SCSI disk drive has a problem.

(This page was intentionally left blank.)

IX. ADAPTEC EZ-SCSI

Welcome to Adaptec EZSCSIVI, ADAPTEC EZ-SCSI UTILITY 4.03. Adaptec EZSCSI gives you what you need to use DOS, Windows®3.1x, or Windows for Workgroups3.1x.

Note: The ADAPTEC EZ-SCSI UTILITY does not provide drivers for Windows®95 and WindowsNT™.

Quick Start Instructions

First, install SCSI devices (see the hardware documentation for details). Then follow the instructions for your operating system software in one of the following sections. We recommend that after you install Adaptec EZSCSI, you run SCsITutor to learn more about the features of SCSI.

Windows95 or WindowsNT

If you want to install Windows95 or WindowsNT on a new computer system, you may not be able to access your SCSI CDROM drive at first. (Usually, you install Windows95 and WindowsNT from a CDROM disc.) To gain access to your CDROM drive, follow the DOS Quick Start instructions.

Windows/Windows for Workgroups 3.1x

- 1 Install Windows 3.1x or Windows for Workgroups 3.1x and start it running on your computer.
- 2 Insert the Adaptec EZSCSI Setup Disk into your floppy disk drive.
- 3 Select File/Run from the Program Manager menu.
- 4 When the Run dialog box appears, type a:\setup if you are using the A drive or b:\setup if you are using the B drive. Then click OK.
- 5 Follow the onscreen instructions.

DOS

- 1 Install DOS 6.x or later and start it running on your computer.
- 2 Insert the Adaptec EZSCSI Setup Disk into your floppy disk drive.
- 3 At the DOS prompt, type a:\install (assuming your 3.5" floppy is A: drive). Then press <Enter>.
- 4 Follow the onscreen instructions.

IX. ADAPTEC EZ-SCSI

Troubleshooting Tips

SCSI Device Troubleshooting

Review this checklist if your newly-installed SCSI disk drives, CDROM drives, and other devices do not seem to work properly:

- Be sure that termination is correctly set for all devices on the SCSI bus, as described in your host adapter documentation.
- Be sure there are no hardware conflicts such as devices in your computer trying to use the same interrupts (IRQs) or DMA channels.
- Be sure the cables connecting the external and internal SCSI devices and the host adapter are attached securely. Also be sure the pin-1 orientation is correct for internal cables. See the host adapter documentation for more information.
- Be sure that each SCSI device connected to the host adapter has a unique SCSI ID.
- Be sure CD-ROM drives and other SCSI devices are attached to a power source and are turned ON.

Windows95/WindowsNT Troubleshooting

What is a miniport driver, and how do I make sure that the miniport driver is installed correctly?

Miniport drivers are a new kind of 32bit protect mode device driver used by Windows95 and WindowsNT to control host adapters and other kinds of devices. Windows95 and WindowsNT include a set of miniport drivers for various types of SCSI host adapters. The host adapter miniport driver is automatically installed and configured during Windows95 and WindowsNT installation if your host adapter is already installed. To make sure the driver is installed correctly in systems running Windows95, open the Control Panel, double-click on System, and click the Device Manager tab. Then double-click the SCSI Controllers icon; you should see the model name of the SCSI host adapter(s) installed in your system.

What if there is no SCSI controllers icon under Device Manager, or the model name of the SCSI chipset does not appear under Device Manager?

If the SCSI controllers icon or your host adapter's model name do not appear, open Control Panel and double-click the Add New Hardware icon. Let Windows search for the host adapter by selecting Yes on the second screen of the Add New Hardware Wizard.

If Windows does not detect the host adapter, run the Add New Hardware Wizard again. This time, select No on the second screen of the wizard, then select SCSI controllers on the next screen. Select the name of your host adapter when it appears.

IX. ADAPTEC EZ-SCSI

If the name of your SCSI chipset does not appear, you may be able to find its miniport driver on the Windows95 CD-ROM. Follow these steps:

- 1 Place the Windows95 CD-ROM in your CDROM drive and run the Add New Hardware wizard.
- 2 Select No on the second screen, and select SCSI controllers on the next screen.
- 3 Click on the Have Disk button, then click the Browse button.
- 4 Look in the \drivers\storage directory of the CDROM and select the name of your SCSI host adapter if it appears.

What if a yellow exclamation point or a red X appears in Device Manager in front of my host adapter?

This means there is some kind of resource problem. First, see if the names of any host adapters appear that are not actually installed in your computer. If so, select the name and click Remove. If a red X appears in front of your host adapter name, remove all the host adapter references under SCSI Controllers and run Add New Hardware, as described in the previous question/answer. If a yellow exclamation point appears in front of your host adapter name, the resources that the driver uses probably do not match the resources used by the hardware. Double-click the host adapter name, then click on the Resource tab. Deselect the Use automatic settings box and edit the resources (Interrupt Request, Direct Memory Access, etc.) so they match those used by the host adapter. If the problem still remains, there is probably a hardware resource conflict between the host adapter and other hardware in your computer. You can fix this by changing the hardware resource settings. (See your hardware documentation.)

What do I need to do if I want to use another host adapter?

- 1 Open the Control Panel, double-click on System, and click the Device Manager tab.
- 2 Double-click the SCSI Controllers icon, select the name of the old host adapter, and click Remove.
- 3 Turn OFF the computer and physically remove the currently installed host adapter.
- 4 Install the new host adapter according to the instructions in the hardware documentation.
- 5 Turn the computer ON. If the new host adapter supports Plug and Play, Windows will install and configure it automatically. Otherwise, run Add New Hardware to make sure the new driver is loaded.

IX. ADAPTEC EZ-SCSI

If I am running under Windows95, do I need lines for the Adaptec real mode ASPI drivers and mscdex in my CONFIG.SYS and AUTOEXEC.BAT files?

Usually, you do not need to use these real mode ASPI drivers, because the new Windows miniport drivers support most SCSI host adapters and SCSI devices. However, you need to load the drivers (including mscdex, if you have a CDROM drive) if any of the following is true:

- You are running in MSDOS mode
- You are using a scanner or another SCSI device with CONFIG.SYS- or AUTOEXEC.BAT-based drivers, such as HP's sjiix.sys
- You have an older model SCSI-1 CDROM drive that Windows95 does not support
- You are using a CD-Recorder drive (however, some newer models of CD-Recorder drives can use the embedded Windows miniport drivers)

To install the Adaptec EZSCSI DOS drivers, click the Start button and select **Restart the computer in MS-DOS mode**. When the DOS prompt appears, follow the Quick Start instructions for DOS.

My CDROM drive doesn't work properly under Windows95.

Some older models of SCSI CDROM drives are not compatible with the embedded Windows95 CDROM driver. You can add support for the CDROM drive by doing the following:

- 1 Click the Start button and select Restart the computer in MS-DOS mode.
- 2 When the DOS prompt appears, follow the Quick Start instructions for DOS.
- 3 When you are finished running Adaptec EZSCSI for DOS, find the file named cdttd.vxd in the windows\system\iosubsys directory and rename it cdttd.sav.

My CDROM drive shows up as more than one icon under My Computer.

The mapping between mscdex, which runs in real mode, and the Windows95 CDROM driver does not match. You can correct this in one of two ways:

- Comment out the line that loads mscdex.exe in the AUTOEXEC.BAT file.
- Change the /L switch on the line that loads mscdex.exe in the AUTOEXEC.BAT file so it assigns the CDROM drive the next highest logical drive letter after the hard disk drives.

IX. ADAPTEC EZ-SCSI

Information for DOS/Windows 3.1x Users

The following information may be useful if you install Adaptec EZSCSI on a computer running DOS, Windows 3.1x, or Windows for Workgroups 3.1x.

NOTE: The Windows95/WindowsNT Troubleshooting section on page 6 describes a few situations when you may need to use the DOS/Windows3.1x drivers and ASPI managers under Windows95 or WindowsNT.

DOS and Windows3.1x Device Drivers

Device drivers are software programs that enable your computer to communicate with SCSI devices such as hard disk drives, CDROM drives, and scanners. Each kind of device requires a different device driver. Adaptec EZSCSI includes several DOS/Windows3.1x device drivers that are copied to your hard disk during installation. Adaptec EZSCSI adds command lines to your CONFIG.SYS and AUTOEXEC.BAT files to load these device drivers if it finds these kinds of devices on your computer.

To learn more about the Adaptec EZSCSI device drivers, including their command line option information, see the online Adaptec EZSCSI Online Reference, a Windows Help application.

DOS and Windows3.1x ASPI Managers

ASPI (Advanced SCSI Programming Interface) managers are software programs that enable the SCSI device drivers, your host adapter, and your SCSI devices to communicate with each other. ASPI managers are written for a specific operating system, such as DOS, and a specific family of Adaptec host adapters.

Adaptec EZSCSI includes several ASPI managers for DOS/Windows3.1x. When you install Adaptec EZSCSI on these operating systems, it detects what kind of host adapter is installed in your computer and automatically configures your system with the correct ASPI manager. To learn more about these ASPI managers, including their command line option information, see the Adaptec EZSCSI Online Reference, a Windows Help application.

IX. ADAPTEC EZ-SCSI

DOS Formatting Utilities

Adaptec EZSCSI includes several DOS-based formatting utilities:

Low-level Formatter (scsifmt)

Use the DOS-based scsifmt utility for low-level formatting of SCSI hard disk drives, removable media, Floptical[®] drives, and magneto-optical drives. You can also use it to scan a disk device for surface defects before you store data on it.

Run scsifmt from the DOS prompt, not from the Windows MSDOS prompt. Before you run it, be sure the disk devices you want to format are connected to the host adapter and that they are powered. Then follow these steps:

1. Change to the directory where scsifmt.exe is located (usually c:\scsi), type scsifmt at the DOS prompt, and press Enter.

NOTE: If you are formatting a SCSI disk device that supports more than one LUN (for example, Iomega's Bernoulli dual multdrive) type scsifmt /L at the command line.

2. When the first screen appears, read it and press Enter to continue. (Press F1 at any time to view Help.) Information about your SCSI disk devices appears on the screen.
3. Use the arrow keys to move the highlight bar to a disk device you want to format or verify, then press Enter.
4. When the next screen appears, select either Format or Verify (to verify that the disk is free of surface defects), then press Enter.

WARNING! Back up important data before you format the disk device!
A low-level format erases all data from the disk.

5. If you select Format, confirm that you want to format the disk, then wait while the disk device is formatted. This may take a long time if the disk is large.

If you select Verify, you can press Esc at any time to stop the verification process. (This does not damage the disk.) If the utility finds bad blocks on the disk, it displays information about them. You can reassign the bad block(s) to prevent data from being stored there.

6. Repeat steps 3, 4, and 5, as needed, to format or verify other disk devices. When you are finished, press Esc to exit.

IX. ADAPTEC EZ-SCSI

Formatter and Partitioner (afdisk)

Use the DOS-based afdisk utility to partition and format SCSI hard disk drives, Floptical drives, and magneto-optical drives. You can also use afdisk to remove DOS and non-DOS partitions from a disk drive and to format removable media in standard hard disk format, OS/2 floppy format, or DOS V (Japanese) format.

NOTE: Use afdisk only if the disk device is not controlled by the host adapter BIOS—that is, if the host adapter does not have a BIOS or if its BIOS is not enabled. If the disk device is controlled by the host adapter BIOS, use the DOS fdisk utility to partition and format the disk device. (See the MSDOS documentation.)

Run afdisk from the DOS prompt only, not from the Windows MSDOS prompt. Before you run it, be sure the disk devices you want to format and partition are connected to the host adapter and that they are powered. Then follow these steps:

1. Change to the directory where afdisk.exe is located (usually c:\scsi), type afdisk at the DOS prompt, and press Enter.

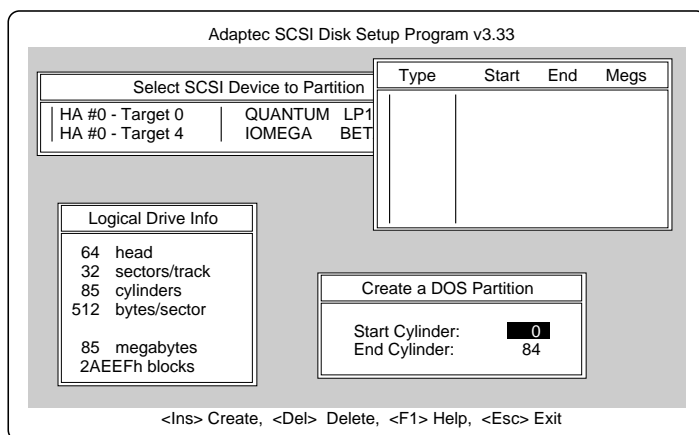
Information about your SCSI disk devices appears on the screen. (The number that appears after Target is the device's SCSI ID.)

2. Use the arrow keys to move the highlight bar to the disk device you want to partition, then press Enter.
 - If the selected disk device is controlled by the host adapter BIOS, you can view information about it but you cannot partition it with afdisk (Use the DOS fdisk and format utilities.)
 - If the selected disk device is unpartitioned, you must partition it before you can format it. To do this, follow the instructions on the screen. (Press F1 to see an explanation of the partitioning options.)

Information about the selected disk device appears in the lower left of the screen. Disks smaller than 1 Gigabyte have 64 heads, 32 sectors per track, and cylinders equal to the number of MB of available capacity. Disks larger than 1 Gigabyte have 255 heads, 63 sectors per track, and one cylinder per 8 MB of available capacity.

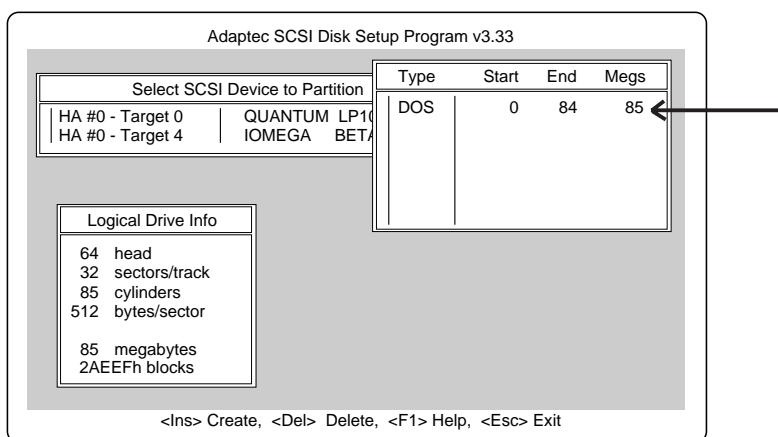
IX. ADAPTEC EZ-SCSI

3. To create a new partition on the disk device, press Ins. A screen similar to this appears:



The Create a DOS Partition window suggests that you create one partition on the disk device, equal to its entire capacity. If this is what you want to do, skip to step 5.

4. To change the size of the partition, use the arrow keys to select Start Cylinder and End Cylinder, and type in the numbers you want. Partitions up to 2Gigabytes are supported.
5. When the number of cylinders is what you want, press Esc. When the confirmation prompt appears, select Yes and press Enter to create the partition. To create more partitions on the same disk device, repeat steps 3, 4, and 5. As you create partitions on the disk, they are added to the window at the upper right of the screen, as shown here:



6. Press Esc to return to the Select SCSI Device to Partition window. If you want to partition a different disk device, select the device from the list and repeat the earlier steps.
7. To quit afdisk, press Esc and select Yes to confirm that you want to quit.

▼▼▼▼ **Adaptec 7800 Family
Manager Set**

for Windows NT, Windows 95,
Novell NetWare, IBM OS/2,
SCO UNIX, and SCO UnixWare

User's Guide

 **adaptec®**

Copyright

© 1998 Adaptec, Inc. All rights reserved. No part of this publication may be reproduced, stored in a retrieval system, or transmitted in any form or by any means, electronic, mechanical, photocopying, recording or otherwise, without the prior written consent of Adaptec, Inc., 691 South Milpitas Blvd., Milpitas, CA 95035.

This manual is reprinted in Taipei, Taiwan by ASUSTeK COMPUTER INC. under license of Adaptec, Inc.

Trademarks

Adaptec, the Adaptec logo, AHA, and AIC are trademarks of Adaptec, Inc. which may be registered in some jurisdictions. Windows and Windows 95 are registered trademarks and Windows NT is a trademark of Microsoft Corporation in the U.S. and other countries used under license.

All other trademarks are owned by their respective owners.

ASUS and ASUSTeK are registered trademarks of ASUSTeK COMPUTER INC.

Changes

The material in this document is for information only and is subject to change without notice. While reasonable efforts have been made in the preparation of this document to assure its accuracy, Adaptec, Inc. assumes no liability resulting from errors or omissions in this document, or from the use of the information contained herein.

Adaptec and ASUSTeK reserves the right to make changes in the product design without reservation and without notification to its users.

Adaptec Technical Support and Services

If you have questions about installing or using your Adaptec product, check this user's guide first—you will find answers to most of your questions here. If you need further assistance, please contact us. We offer the following support and information services:

Electronic Support

Technical information, including product literature, answers to commonly asked questions, information on software upgrades and other topics is available electronically through the following:

- Adaptec World Wide Web (WWW) site at <http://www.adaptec.com>.
- File Transfer Protocol (FTP) server at <ftp.adaptec.com>.
- Adaptec USA Bulletin Board Service (BBS) at 408-945-7727; supports up to 28,800 bps (bits per second), 8 data bits, 1 stop bit, no parity. No product literature is available on the Adaptec BBS.
- Interactive Fax System at 303-684-3400; available 24 hours a day, 7 days a week.

ASUS Contact Information

ASUS may be contacted at <http://www.asus.com.tw> or through any of the means indicated in your motherboard manual.

Technical and Product Support

- For technical support and information about many of Adaptec's electronic support services, call 800-959-7274 or 408-945-2550, 24 hours a day, 7 days a week.
- To speak with a product support representative, call 408-934-7274, M-F, 6:00 A.M. to 5:00 P.M., Pacific Time. After hours, on weekends, and on holidays, product support is also available for a fee at 800-416-8066.

Sales and Ordering Information

- For sales information, call 800-959-7274 or 408-945-2550, M-F, 6:00 A.M. to 5:00 P.M., Pacific Time.
- To order Adaptec software and cables, call 800-442-7274 or 408-957-7274, M-F, 6:00 A.M. to 5:00 P.M., Pacific Time.
- To request additional documentation for Adaptec products, call 800-934-2766 or 510-732-3829, M-F, 6:00 A.M. to 5:00 P.M., Pacific Time.

Federal Communications Commission Radio Frequency Interference Statement

WARNING: Changes or modifications to this unit not expressly approved by the party responsible for compliance could void the user's authority to operate the equipment.

This equipment has been tested and found to comply with the limits for a Class B digital device, pursuant to Part 15 of the FCC rules. These limits are designed to provide reasonable protection against harmful interference in a residential installation. This equipment generates, uses, and can radiate radio frequency energy, and if not installed and used in accordance with the instruction manual, may cause harmful interference to radio communications. However, there is no guarantee that interference will not occur in a particular installation. However, if this equipment does cause interference to radio or television equipment reception, which can be determined by turning the equipment off and on, the user is encouraged to try to correct the interference by one or more of the following measures:

- Reorient or relocate the receiving antenna.
- Increase the separation between equipment and receiver.
- Connect the equipment to an outlet on a circuit different from that to which the receiver is connected.
- Consult the dealer or an experienced radio/television technician for help.

Use a shielded and properly grounded I/O cable and power cable to ensure compliance of this unit to the specified limits of the rules.

This device complies with part 15 of the FCC rules. Operation is subject to the following two conditions: (1) this device may not cause harmful interference and (2) this device must accept any interference received, including interference that may cause undesired operation.

Canadian Compliance Statement

This Class B digital apparatus meets all requirements of the Canadian Interference-Causing Equipment Regulations.

Cet appareil numérique de la classe B respecte toutes les exigences du Règlement sur le matériel brouilleur du Canada.

|

—

|

—

—

|

|

—

▼▼▼▼ Contents

1 Introduction

- Device Drivers 1-2
- Adaptec 7800 Family Host Adapters 1-3
- Requirements 1-5

2 Microsoft Windows NT Installation

- Installing the Driver When Installing Windows NT 2-2
 - Completing a Fresh Windows NT 3.5x Installation 2-2
 - Completing a Fresh Windows NT 4.0 Installation 2-4
- Installing the Driver When Windows NT is Already Installed 2-5
 - Updating Windows NT 3.5x 2-5
 - Updating Windows NT 4.0 2-7
- Using Advanced Configurable Parameters 2-8
 - Using Windows NT SCSI Parameters 2-8
 - Using Driver-specific Parameters 2-10
- Using Windows NT and the Host Adapter 2-12
 - Removing a Host Adapter 2-12
 - Swapping a Host Adapter 2-15
- Troubleshooting 2-16
 - Problems and Solutions 2-16
 - Error Codes 2-16

3 Microsoft Windows 95 Installation

- Installing the Driver When Installing Windows 95 3-2
- Installing the Driver When Windows 95 is Already Installed 3-2
- Updating the Driver for Windows 95 (Version OSR 2) 3-4
- Troubleshooting 3-5

Problems and Solutions 3-5

4 Novell NetWare Installation

- Installing the Driver When Installing NetWare 4-2
 - NetWare v3.1x 4-2
 - NetWare v4.0 or v4.1x 4-3
- Installing the Driver When NetWare is Already Installed 4-4
- Loading the Driver at Server Bootup 4-5
- Using the Load Command Line Options 4-7
 - Table of aic7870.dsk Command Line Options: 4-7
 - Table of aic78u2.dsk Command Line Options 4-10
 - Bit Mask Options 4-12
 - Sample Load Commands 4-12
- Using NetWare and the Host Adapter 4-13
 - Using Removable Media 4-13
 - Using the NetWare Tape Backup 4-15
 - Using a CD-ROM with NetWare 4-16
 - Optimizing Performance 4-17
- Troubleshooting 4-18
 - Error Messages 4-18

5 IBM OS/2 Installation

- Installing the Driver When Installing OS/2 5-1
 - Installing OS/2 v2.1x (Ultra SCSI Driver Only) 5-2
 - Installing OS/2 Warp 3.x, 4.x, and 4.x SMP 5-3
- Installing the Driver When OS/2 is Already Installed 5-6
- Using Command Line Options 5-8
 - Universal Parameters 5-8
 - Adapter ID 5-9
 - Unit Parameters 5-9
 - Command Line Examples 5-11
- Troubleshooting 5-12
 - Problems and Solutions 5-12
 - Error Messages 5-12

6 SCO UNIX Installation

- Installing the Driver When Installing SCO UNIX 6-2
 - Installing SCO UNIX 3.2 v4.2, SCO ODT 3.0, or SCO OpenServer 3.0 6-2
 - Installing SCO OpenServer 5 6-4
- Installing the Driver When SCO UNIX is Already Installed 6-5
 - Perform a System Backup 6-6
 - Use the Install Package 6-7
 - Modify the mscsi File 6-8
 - Rebuild the UNIX Kernel 6-9
 - Boot the New Kernel 6-10
- Using SCO UNIX and the Host Adapter 6-10
 - Using Multiple Host Adapters 6-10
 - Changing the Boot Disk 6-10
 - Using Wide SCSI Host Adapters and Devices 6-11
 - Using Tunable Parameters for the alad Driver 6-11
 - Enabling Scatter/Gather and Tagged Queuing 6-12
- Troubleshooting 6-13
 - Problems and Solutions 6-13
 - Error Messages 6-17

7 SCO UnixWare Installation

- Installing the Driver When Installing SCO UnixWare 7-2
- Installing the Driver When SCO UnixWare is Already Installed 7-3
 - Back Up the Computer 7-4
 - Load the Package 7-4
 - Modify the New System File 7-6
 - Rebuild the SCO UnixWare Kernel 7-7
 - Boot the New Kernel 7-7
- Using SCO UnixWare and the Host Adapter 7-8
 - Using Tunable Parameters 7-8
 - Using Multiple Host Adapters 7-8
 - Removing the Driver 7-9

Adaptec 7800 Family Manager

Troubleshooting 7-11

Problems and Solutions 7-11

Error Messages 7-11

Index



▼▼▼▼ 1

Introduction

The Adaptec® 7800 Family Manager Set v3.x is a set of software drivers and other files that enable your Adaptec 7800 Family host adapter to communicate with your computer. The Adaptec 7800 Family Manager Set contains drivers for the following operating systems:

- Microsoft Windows NT®
- Microsoft Windows 95
- Novell NetWare
- IBM OS/2
- SCO UNIX
- SCO UnixWare

The remainder of this chapter includes a table that lists all Adaptec host adapters that make up the Adaptec 7800 Family, as well as the minimum requirements needed to install the software.

The remaining chapters are organized by operating system. Each chapter provides instructions on how to install the driver at the same time you install your operating system. If your operating system is already installed, instructions on updating or installing the driver are also included. If you have problems installing and using the driver, refer to the *Troubleshooting* sections, included at the end of each chapter.

Device Drivers

The 7800 Family Manager Set has two driver files for each operating system; one for Ultra SCSI and earlier devices and one for Ultra2 SCSI devices. This manual refers to both the Ultra SCSI and Ultra2 SCSI drivers when describing installation. Refer to the table below for a list of files for the drivers provided on your installation diskette or CD ROM. Use the columns in the table to determine the correct driver for your SCSI device.

Operating System	UltraSCSI Driver	Ultra2 SCSI Driver
Windows NT	aic78xx.sys	aic78u2.sys
Windows95	aic78xx.mpd	aic78u2.mpd
NetWare	aic7870.dsk	aic78u2.ham
OS2	aic7870.add	aic78u2.add
SCO UNIX	alad or alad325	blad or blad325
SCO UnixWare	adsl20 or adsl	adsb20 or adsb

For information on how to install the driver for your SCSI Adapter, refer to the section of this manual describing your specific operating system.

Adaptec 7800 Family Host Adapters

The following Adaptec PCI-to-SCSI host adapters are collectively referred to as the Adaptec 7800 Family host adapters:

Host Adapter	Description
AVA-2902I	PCI-to-Fast SCSI (non-bootable, internal)
AVA-2902E	PCI-to-Fast SCSI (non-bootable, external)
AVA-2904	PCI-to-Fast SCSI (non-bootable)
AHA-2910	PCI-to-Fast SCSI (non-bootable)
AHA-2930	PCI-to-Fast SCSI
AHA-2940	PCI-to-Fast SCSI
AHA-2940W	PCI-to-Fast and Wide SCSI
AHA-2940AU	PCI-to-Ultra SCSI
AHA-2940U	PCI-to-Ultra SCSI
AHA-2940UW	PCI-to-Wide Ultra SCSI
AHA-2940U2W	PCI-to-Ultra2 Wide Single-ended SCSI
AHA-2940U Dual	MultiChannel PCI-to-Ultra SCSI with Dual External Connectors
AHA-2940UW Dual	MultiChannel PCI-to-Wide Ultra SCSI with Dual External Connectors
AHA-2944W	PCI-to-Fast and Wide Differential SCSI
AHA-2944UW	PCI-to-Wide Ultra Differential SCSI
AHA-3940	MultiChannel PCI-to-Fast SCSI
AHA-3940W	MultiChannel PCI-to-Fast and Wide SCSI
AHA-3940U	MultiChannel PCI-to-Ultra SCSI
AHA-3940UW	MultiChannel PCI-to-Wide Ultra SCSI
AHA-3940UWD	MultiChannel PCI-to-Wide Ultra SCSI with Dual External Connectors
AHA-3940AU	MultiChannel PCI-to-Ultra SCSI
AHA-3940AUW	MultiChannel PCI-to-Wide Ultra SCSI
AHA-3940AUWD	MultiChannel PCI-to-Wide Ultra SCSI with Dual External Connectors
AHA-3944W	MultiChannel PCI-to-Fast and Wide Differential SCSI

Adaptec 7800 Family Manager

Host Adapter	Description
AHA-3944UWD	MultiChannel PCI-to-Wide Ultra Differential SCSI with Dual External Connectors
AHA-3944AUWD	MultiChannel PCI-to-Wide Ultra Differential SCSI with Dual External Connectors
AHA-4944W	Quad Channel PCI-to-Fast and Wide Differential SCSI
AHA-4944UW	Quad Channel PCI-to-Ultra Wide Differential SCSI
AIC-7850	Single-chip PCI-to-Fast SCSI
AIC-7855	Single-chip PCI-to-Fast SCSI
AIC-7856	Single-chip PCI-to-Fast SCSI
AIC-7860	Single-chip PCI-to-Ultra SCSI
AIC-7870	Single-chip PCI-to-Fast and Wide SCSI
AIC-7880	Single-chip PCI-to-Wide Ultra SCSI
AIC-7890	Single-chip PCI-to-Ultra2 SCSI (32 bit)
AIC-7891	Single-chip PCI-to-Ultra2 SCSI (64 bit)
AIC-7895	Single-chip PCI-to-MultiChannel Wide Ultra SCSI
AIC-7896	Single-chip PCI-to-MultiChannel Ultra2 SCSI (32 bit)
AIC-7897	Single-chip PCI-to-MultiChannel Ultra2 SCSI (32 bit)

Requirements

The following are the minimum and recommended requirements needed to install the Adaptec 7800 Family Manager Set:

- A PCI computer, with an installed and configured Adaptec 7800 Family host adapter(s).
- An installed primary (boot) floppy diskette drive. The drive must be able to read your operating system diskettes. A 3.5-inch (1.44 MByte) floppy diskette drive is required.
- The diskettes included with your Adaptec 7800 Family Manager Set.
- *Optional*—an installed and configured CD-ROM drive for installing your operating system from CD-ROM.
- The distribution software and documentation included with your operating system.
- The *User's Guide* for your host adapter.



—

—

—

—

—

—

—

—

....2

Microsoft Windows NT Installation

This chapter explains how to install the Adaptec 7800 Family Manager Set *aic78xx.sys* and *aic78u2.sys* drivers for Windows[®] NT. The *aic78xx.sys* driver supports all Adaptec 7800 Family Ultra SCSI (and earlier) host adapters, and the *aic78u2.sys* driver supports all Ultra2 SCSI adapters. Refer to the list on page 1-3.

If you are performing a first time Windows NT installation, see *Installing the Driver When Installing Windows NT* on page 2-2. If Windows NT is already installed in your system, see *Installing the Driver When Windows NT is Already Installed* on page 2-5.

Installing the Driver When Installing Windows NT

A version of the *aic78xx.sys* driver (Ultra SCSI) driver is embedded (included) in the Windows NT 3.5x and 4.0 installation disks (or CD-ROM). During a normal Windows NT installation, the 7800 Family host adapter is detected in your system and the embedded driver is automatically installed.



Note: If you are booting from a 7800 Family host adapter and you are unable to install the embedded *aic78xx.sys* driver by performing a Windows NT installation, follow the instructions for completing a *fresh* Windows NT installation.

The *aic78u2.sys* driver (Ultra2 SCSI) is not embedded on the Windows NT 3.5x and 4.0 installation disks (or CD-ROM) and must be installed after Windows NT has been installed. When completing the Windows NT installation, you can update the driver by following the instructions in *Installing the Driver When Windows NT is Already Installed* on page 2-5.

Completing a Fresh Windows NT 3.5x Installation

- 1 If you choose to install Windows NT from a floppy drive, locate the Windows NT Setup Disk 1 for Floppy Installation.
If you are installing from a CD-ROM drive, locate the Windows NT Setup Disk 1 for CD-ROM Installation.
- 2 Insert the diskette into drive A (not drive B) and turn ON your computer. When prompted, insert Windows NT Disk 2.
- 3 From the Welcome to Setup Screen, press **Enter** to set up Windows NT.
- 4 When prompted, select **Custom** setup.



Note: If you are installing an Ultra2 SCSI host adapter such as the AHA-2940U2W, you cannot select **Express** setup, because the *aic78u2.sys* driver is not embedded. Selecting **Express** setup loads the embedded driver *aic78xx.sys* included with Windows NT which is for Ultra SCSI adapters only.

- 5 Press **S** to skip mass storage device detection. This allows you to manually select the driver for your host adapter.
- 6 Since mass storage device detection was skipped in the previous step, Windows NT Setup displays none in the list of recognized devices. Press **S** to configure additional SCSI adapters.
- 7 From the list of additional SCSI adapters, expand the list, select **Other**, and press **Enter** (requires disk provided by a hardware manufacturer).
- 8 Insert the Adaptec 7800 Family Manager Set diskette for Windows NT into drive A and press **Enter**.

The screen displays the adapter drivers supported on the diskette. For Windows NT 3.5x, the following is displayed:

Adaptec AHA-290x/291x/294x/4944/AIC-78xx PCI SCSI Controller (NT 3.5x)

or

Adaptec AHA-294xu2/AIC-7890/91 PCI Ultra2 SCSI Controller (NT 3.5x)
- 9 Highlight the driver and press **Enter**.
- 10 To add other host adapters that are not a part of the 7800 Family, do so at this time by repeat from step 7 for each additional adapter and insert the appropriate driver disk. The Adaptec 7800 Family host adapters use the same driver; it is not necessary to install the driver again.
- 11 Press **Enter** to continue with the Windows NT operating system setup. Follow the instructions given onscreen and in the Windows NT installation documentation.

Completing a Fresh Windows NT 4.0 Installation

- 1** Start your system with the Windows NT Boot Diskette in the floppy drive.
- 2** When prompted, insert diskette #2 in your floppy drive. After a few moments you will see a blue screen. To setup Windows NT now, press **Enter**.
- 3** Press **S** to skip auto-detection of your SCSI host adapter.
- 4** Press **S** again to specify an additional device.
- 5** Press **Enter** to select Others; insert the 7800 Family Manager Set diskette for Windows NT in your floppy drive.
- 6** Select from the following drivers:
Adaptec AHA-290x/291x/294x/394x/4944/AIC-78xx PCI SCSI Controller (NT 4.0)
or
Adaptec AHA-294xu2/AIC-7890/91 PCI Ultra2 SCSI Controller (NT 4.0)
- 7** Highlight a driver and press **Enter**.
- 8** To add other host adapters that are not part of the 7800 Family, press **S** and repeat from Step 4 for each additional adapter and insert the appropriate driver disk. The Adaptec 7800 Family host adapters use the same driver; it is not necessary to install the driver again.
- 9** Press **Enter** to continue with the Windows NT operating system setup. Follow the instructions onscreen and in the Windows NT documentation to complete the installation.

Installing the Driver When Windows NT is Already Installed

To update or install the *aic78xx.sys* or *aic78u2.sys* driver if Windows NT is already installed, follow the instructions below for the version of Windows NT you are installing.

Updating Windows NT 3.5x

- 1 Select and start the Windows NT Setup program. (Its icon is usually found in the Main program group.) There is a brief pause while Windows NT Setup scans your hardware configuration.
- 2 Select the **Options** pull-down menu and then select **Add/Remove SCSI Adapters**. The SCSI Adapter *setup* program displays a list of all host adapters currently installed.
- 3 Click the **Add** button to add another host adapter type to the list. A list of additional SCSI adapters appears.
- 4 Expand the list of additional SCSI adapters; select **Other** and press **Enter**. (Requires disk provided by the hardware manufacturer.)
- 5 Insert the Adaptec 7800 Family Manager Set diskette for Windows NT into drive A; enter one of the following paths to the installation files and then click **OK**.

a:\winnt\3_5)

The screen displays the adapter drivers supported on the diskette:

Adaptec AHA-290x/291x/294x/4944/AIC-78xx PCI SCSI Controller (NT 3.5x)

Adaptec AHA-294xu2/AIC-7890/91 PCI Ultra2 SCSI Controller (NT 3.5x)

- 6 Highlight a driver, then click **OK**. The driver is added to the list of SCSI adapters.
- 7 Select the driver from the list of SCSI adapters and click **Install**.
At this point, Windows NT Setup checks to see if the specified driver has already been copied to the system disk.

Adaptec 7800 Family Manager

- 8** If the following message appears, click **New** to replace the existing driver and skip to Step 10.

The driver(s) for this SCSI Adapter are already on the system. Do you want to use the currently installed driver(s) or install new one(s).

If the following message appears, continue with Step 9.

Please enter the full path to the Windows NT SCSI Adapter files.

- 9** Change the path to the a:\winnt\3_5 directory, then click **Continue**.

The device driver is copied to your system disk and the Windows NT configuration is updated so that the new device driver loads when Windows NT reboots.

- 10** When the installation is complete, Windows NT Setup again displays a list of currently installed host adapter types. Verify that the new host adapter appears on the list. The text string should look similar to:

Adaptec AHA-290x/291x/294x/4944/AIC-78xx PCI SCSI Controller (NT 3.5x)

or

Adaptec AHA-294xu2/AIC-7890/91 PCI Ultra2 SCSI Controller (NT 3.5x)

- 11** Add other types of host adapters if necessary (see step 4 on page 2-5), or click **Close** to exit the SCSI adapters portion of Windows NT Setup, and then close the program.

- 12** When you see this message, click **OK** to exit:

The changes you have made will not take effect until the computer is restarted

If this message *does not* appear, no changes have been made to the Windows NT system configuration.

- 13** Restart your computer and Windows NT. It is possible that some drive letter assignments may change from the previous configuration.

Updating Windows NT 4.0

- 1 Start Windows NT.
- 2 Click the **Start** button on the Windows NT task bar, and then point to **Settings**.
- 3 Click the **Control Panel**.
- 4 Double-click the **SCSI Adapters** icon.
- 5 Click the **Drivers** tab, and then click the **Add** button.
- 6 In the Install Driver window, click the **Have Disk** button.
- 7 Insert the 7800 Family Manager Set diskette for Windows NT into drive A.
- 8 From the *Copy Manufacturer's File From* text box, type a:\winnt\4.0, and click **OK**.
- 9 In the Install Driver window, Click **OK**.
- 10 Click the **New** button when asked if you want to use the currently installed driver(s) or install new one(s).
- 11 Type a:\winnt\4_0 again, and click **Continue**. The driver is now installed.
- 12 You must restart your computer for the changes to take effect. Click **Yes** to restart your computer. Click **No** to return to the SCSI Adapters window.

Using Advanced Configurable Parameters

Advanced users may use software parameters to alter the configuration of the Windows NT device drivers supplied by Adaptec. All Windows NT configuration information is stored in a data structure called the Registry. You can edit this information through a tool called the Registry Editor.



Caution: Do not edit your registry unless it is absolutely necessary. If there is an error in your registry, your computer may become nonfunctional.

Using Windows NT SCSI Parameters

Follow the instructions below to enter the registry values that affect how the Windows NT SCSI manager interprets the generic configuration information of SCSI device drivers. All SCSI host adapters installed in your system are affected by the values you enter here. A list of valid values follows.



Note: The following value keys are case-sensitive and must be entered exactly as shown.

- **DisableTaggedQueuing**—A nonzero value indicates that the SCSI host adapter disables tagged queuing for SCSI devices. The data type for this value is REG_SZ.
- **DisableSynchronousTransfers**—A nonzero value indicates that the SCSI host adapter is not to initiate synchronous negotiations (but it may still accept negotiations initiated by a SCSI target). The data type for this value is REG_SZ.
- **DisableDisconnects**—A nonzero value indicates that targets are not permitted to disconnect during the execution of a SCSI command. The data type for this value is REG_DWORD.
- **MaximumLogicalUnit**—This can limit the scan for connected devices on the SCSI bus. Valid values are 1 to 8. If 1 is specified, the Windows NT SCSI manager assumes that no SCSI targets support LUNs other than 0. Otherwise, LUNs from 0 to 8 are scanned during system initialization. The data type for this value is REG_DWORD.

- **Maximum SGList**— Specifies the maximum number of scatter-gather elements. Valid values are 17-255. The data type for this value is REG_DWORD.

To enter Windows NT parameters, follow these steps:

- 1 Select **Run** from the File menu (Windows NT 3.5x), or **Run** from the Start button (Windows NT 4.0).
- 2 Type regedt32 and press **Enter**.
- 3 Open the registry list to the following location:
\\HKEY_LOCAL_MACHINE\System\CurrentControlSet\Services\aic78xx\Parameters\Device
or
\\HKEY_LOCAL_MACHINE\System\CurrentControlSet\Services\aic78u2\Parameters\Device
If the *\Parameters\Device* keys already exist, skip to step 8 below to begin entering values. If the keys do not yet exist, you will need to create them by continuing with step 4.
- 4 Click on the aic78xx or aic78u2 key.
- 5 Select **Add Key** from the Edit menu; Type Parameters in the Key Name edit box. Leave the Class edit box blank.
- 6 Click on the Parameters key.
- 7 Select **Add Key** from the Edit menu; Type Device in the Key Name edit box. Leave the Class edit box blank.

To specify a certain host adapter, append Device with the number of the host adapter. For example, type Device0 for the first host adapter, Device1 for the second, etc. If you omit the host adapter number, the configuration information applies to all 7800 Family host adapters.

- 8 Click on the Device key.
- 9 Select **Add Value** from the Edit menu. In the Value Name edit box, enter one of the valid parameter values. Make sure to enter the appropriate Data Type for the value. To enter additional values, repeat steps 8-9.



Note: Changes made with the Registry Editor do not take effect until you shut down and then restart your system.

Using Driver-specific Parameters

To use the Registry Editor to enter *aic78xx.sys* or *aic78u2.sys* driver-specific parameters that affect the configuration information for Adaptec SCSI PCI device drivers, follow the instructions below. A list of valid parameters follows.



Note: The following parameters are case-sensitive and must be entered exactly as shown. When entering multiple parameters, each parameter must be separated by a space.

- **/INSTRUMENTATION**—enables recording of I/O statistics and errors. If this option is not specified, instrumentation defaults to disabled. The data type for this value is REG_SZ.
- **/INSTR_ERRLOG_Z=*nnn***—sets the maximum number of error log entries, if /INSTRUMENTATION is enabled. If a number is not specified, the maximum number of error log entries defaults to 32. Valid values are 0-128. The data type for this value is REG_SZ.
- **/MAXTAGS=*nnn***—specifies the tagged command queue depth. If a number is not specified, the tagged queue depth defaults to 128. Valid values are 1-255. The data type for this value is REG_SZ.

To enter driver-specific parameters, follow these steps:

- 1 Select **Run** from the File menu (Windows NT 3.5x), or **Run** from the Start button (Windows NT 4.0).
- 2 Type `regedt32` and press **Enter**.
- 3 Open the registry list to the following location:
`\HKEY_LOCAL_MACHINE\System\CurrentControlSet\Services\aic78xx\Parameters\Device\DriverParameters`
or
`\HKEY_LOCAL_MACHINE\System\CurrentControlSet\Services\aic78u2\Parameters\Device\DriverParameters`
If the `\Parameters\Device\DriverParameters` keys already exist, skip to step 10 below to begin entering parameters. If the keys do not yet exist, you will need to create them by continuing with step 4.
- 4 Click on the `aic78xx` or `aic78u2` key.
- 5 Select **Add Key** from the Edit menu; Type `Parameters` in the Key Name edit box. Leave the Class edit box blank.
- 6 Click on the `Parameters` key.
- 7 Select **Add Key** from the Edit menu; Type `Device` in the Key Name edit box. Leave the Class edit box blank.

To specify a certain host adapter, append `Device` with the number of the host adapter. For example, type `Device0` for the first host adapter, `Device1` for the second, etc. If you omit the host adapter number, the configuration information applies to all 7800 Family host adapters.
- 8 Click on the `Device` key.
- 9 Select **Add Value** from the Edit menu; type `DriverParameters` in the Key Name edit box. Enter `REG_SZ` as the Data Type and press **Enter**.
- 10 A String Editor text box appears. Enter valid parameters in the text box. When entering multiple parameters, each parameter must be separated by a space.



Note: Changes made with the Registry Editor do not take effect until you shut down and then restart your system.

Using Windows NT and the Host Adapter

This section contains useful information on using Windows NT and your host adapter.

Removing a Host Adapter

Removing a host adapter can be as simple as physically removing it from the slot when your computer is shut down. Windows NT boots and functions properly in this configuration, but a warning message is generated every time you boot Windows NT.



Caution: If you have removed a host adapter but still have other host adapters of the same type installed in your computer, *do not* use Windows NT Setup to remove the device driver.

To eliminate the warning message, you must update the Windows NT software configuration, as described below:

Removing a Host Adapter in Windows NT 3.5x

- 1 Start the Windows NT Setup program. There is a brief pause while Windows NT Setup scans your hardware configuration.
- 2 Select the **Options** pull-down menu and then select **Add/Remove SCSI Adapters**. The SCSI Adapter *setup* program displays a list of all host adapters currently installed.
- 3 Select the host adapter you want to remove and click the **Remove** button. When the Windows NT Setup program asks you for confirmation, click **OK**.

Because SCSI device drivers are loaded during system bootup and because they may be needed to load Windows NT itself, a screen may appear warning you that Windows NT may not start if you remove the SCSI adapter.

- 4 If you are sure you are removing the correct host adapter type, click **OK**.
- 5 Return to Step 3 to remove driver support for other types of host adapters, or click **Close** to exit the SCSI adapters portion of Windows NT Setup.
- 6 Close the Windows NT Setup program. When the following message appears, click **OK** to exit:

The changes you have made will not take effect until the computer is restarted.

If this message *does not* appear, no changes have been made to the Windows NT system configuration.
- 7 Restart the computer.



Note: Windows NT Setup does not delete the device driver from your system disk; it only updates Windows NT software configuration information so that the device driver is no longer loaded during system bootup.

Removing a Host Adapter in Windows NT 4.0

- 1 From the Control Panel, double-click the **SCSI Adapters** icon.
- 2 Click the **Drivers** tab.
- 3 Select the driver you are planning to remove. The driver appears as one of the following:

For Ultra SCSI:

Adaptec AHA-294X/AHA-394x/AHA-4944 or AIC-78xx PCI SCSI Controller (NT 4.0)

or

Adaptec AHA-294x/AHA-394x or AIC-78xx PCI SCSI Controller (NT 4.0)

or

Adaptec AHA-294x/AHA-394x or AIC-78xx PCI SCSI Controller

For Ultra2 SCSI

Adaptec AHA-294Xu2/AIC-7890\91 PCI Ultra2 SCSI Controller (NT 4.0)

- 4 Click the **Remove** button.
- 5 If you are sure you are removing the correct host adapter type, click **Yes**.
- 6 Click **Yes** to restart the computer and initialize changes. Click **No** to return to the SCSI Adapters window.



Note: Windows NT Setup does not delete the device driver from your system disk; it only updates Windows NT software configuration information so that the device driver is no longer loaded during system bootup.

Swapping a Host Adapter

Swapping a 7800 Family host adapter for a non-7800 Family host adapter is similar to the procedure for adding a host adapter. The important distinction is that you make all software configuration changes while Windows NT is running and before you make the hardware changes.



Note: If you do not install the driver that comes with the new host adapter, it may result in a Windows NT boot failure.

To swap adapters, follow these steps:

- 1 Install the driver for the 7800 Family host adapter by following the steps in *Installing the Driver When Windows NT is Already Installed* on page 2-5.

It is not essential to remove the device driver for the host adapter you are replacing. Windows NT dynamically detects the absence or presence of host adapter hardware, and no problems should arise if you leave the existing device driver installed. You may remove the device driver later, after you have successfully rebooted Windows NT. However, if you leave the driver installed, the system alerts you with an error message of the extra device driver every time you boot. See *Removing a Host Adapter* on page 2-12.

- 2 Once the new device driver is installed, shut down Windows NT and replace the existing host adapter with the 7800 Family host adapter.
- 3 Restart your computer and Windows NT. It is possible that some drive letter assignments may change from the previous configuration.

Troubleshooting

Problems and Solutions

I made changes to the host adapter configuration and Windows NT no longer boots! The boot manager for Windows NT contains recovery logic to allow you to return to the last known good configuration. If you have changed your host adapter configuration and Windows NT no longer boots, follow these steps to recover:

- 1 Undo any hardware changes you have made to the computer since it was last operational.
- 2 Reboot the computer. Watch the display carefully during bootup. If the following message appears, press the **Spacebar** and follow the instructions on the screen to continue booting with the last known good configuration:

Press spacebar NOW to invoke the Last Known Good menu
- 3 Once your computer is operational again, check all of the hardware and software configuration changes you want to make. Look specifically for conflicts with parts of the existing system configuration that are not being changed.

Error Codes

Error codes generated by the *aic78xx.sys* or *aic78u2.sys* driver can be viewed by opening the Windows NT Event Viewer error logs.

To view events generated by the driver, follow these steps:

- 1 Double-click the **Event Viewer** icon in the Administrative Tools program group.

Error codes generated by the driver show up as Event ID 11.
Error codes generated by the SCSIPort show up as Event ID 9.
- 2 To view event details, select **System** from the Log menu. Double-click the *aic78xx.sys* or *aic78u2.sys* driver event that has an Event ID of 11. (There may be none or multiple driver events.)

The top portion of the Event Detail dialog box displays information such as the time that the event was generated, the computer on which the event occurred (in case of remote

monitoring) and the description of the event. The Data section of the Event Details dialog box displays the error codes generated.

3 Click the **Words** radio button.

In the Data section of the dialog box, the entry in the second row and second column (to the right of the 0010: entry) lists the error code generated by the driver. The common error codes for the driver are described below.



Note: The entry in the third row of the last column identifies the SCSI ID of the device originating the error.

***aic78xx.sys* or *aic78u2.sys* Error Codes**

The following error codes are listed sequentially according to the last three digits of the code. For example, [xxxxx010], [xxxxx011], [xxxxx012], etc.



Note: When reporting problems to Customer Support, be sure to include the complete error code in your problem description.

[xxxxx004]

[xxxxx005]

[xxxxx006]

Command completed with error. A request issued to a target device completed with indication that there is an error. In most cases, the error is recovered and normal operations continues.

[xxxxx010]

Error issuing command. An error has occurred while the driver was setting up its internal data structures.

[xxxxx011]

Error issuing command. The requested command is not supported by this driver.

Adaptec 7800 Family Manager

[xxxxx012]

[xxxxxx99]

Error issuing command. The driver does not recognize the target device.

[xxxxx021]

Device protocol error. An unexpected event occurred during data transfer between the adapter and target device. Normally, this indicates a faulty or noncompliant target device.

[xxxxx022]

Adapter or target device protocol error. The adapter or target device has broken the communication protocol. A badly behaving device could be cause this message to appear. Normally this is not a serious problem. If you get this message frequently over a short period of time, it could indicate that the device or system is malfunctioning. Unplug or power down unused devices to see if the problem persists.

[xxxxx023]

Target device parity error. The driver has detected a parity error by the target device.

[xxxxx024]

Data overrun or underrun. The adapter was given more or less data than the expected amount of data.

[xxxxx031]

Target device queue full. The target device internal buffer is full.

[xxxxx032]

Target device busy. The target device reports a busy status. Another program may already be using this device.

[xxxxx050]

[xxxxxx9A]

Host adapter failure. Your host adapter may not be properly installed or is defective. Try re-seating the adapter in the PCI slot, or try installing it a different PCI slot.

[xxxxx081]

[xxxxxx8A]

[xxxxxx83]

Adapter initialization failure. An error has occurred while the driver was setting up its internal data structures. Verify that your adapter is supported by this version of the driver.

[xxxxx089]

Unable to allocate memory. This indicates that there may be a problem with the amount of memory installed in your system. Verify that your system has at least the minimum amount of memory required by your operating system.

[xxxxx096]

Adapter hardware initialization failure—possible resource conflict. The driver has attempted to initialize the adapter hardware but failed. This might suggest that the adapter resources (e.g., IRQ) conflict with another board installed in your system.

[xxxxx097]

Unable to allocate memory. This indicates that there may be a problem with the amount of memory installed in your system. Verify that your system has at least the minimum amount of memory required by your operating system.

[xxxxx0af]

Unable to de-allocate memory that was allocated for a target device. Normally, this is not a serious problem, unless you get this message frequently over a short period of time. The memory can be reclaimed by rebooting the system.

[xxxxx0ce]

Scatter Gather Limit exceeded. An I/O request packet from the system contained a Scatter Gather element list that contained more elements than are supported by the miniport. Scatter Gather is a list of data segments that define the entire data transfer. Scatter Gather is a means to improve total data throughput. This error might be caused by a component external to the miniport driver, such as the operating system or an ASPI application.

Adaptec 7800 Family Manager

[xxxxxd4]

Adapter hardware failure - adapter reset. The host adapter hardware failed and the miniport has to reset the hardware.

[xxxxx0d6]

Internal driver error. An error has occurred while the driver was setting up its internal data structures. Try installing the most up-to-date version of the driver available from the Adaptec Web site or BBS.



... 3

Microsoft Windows 95 Installation

This chapter explains how to install the Adaptec 7800 Family Manager Set *aic78xx.mpd* and *aic78u2.mpd* drivers for Windows[®] 95. The *aic78xx.mpd* driver supports all Adaptec 7800 Family UltraSCSI (and earlier) host adapters, and the *aic78u2.mpd* driver supports all Ultra2 SCSI adapters. Refer to the list on page 1-3.

If you are performing a first time Windows 95 installation, see *Installing the Driver When Installing Windows 95* on page 3-2. If Windows 95 is already installed in your system, see *Installing the Driver When Windows 95 is Already Installed* on page 3-2.



Note: When Windows 95 starts, if a *New Hardware Found* dialog is displayed after your 7800 Family Manager Set host adapter has been installed, you must select the *Driver from Disk Provided by Hardware Manufacturer* option. Insert your Adaptec 7800 Family Manager Set v. 3.00 diskette into the floppy drive and type `a:\win95` as the path. Then, follow the on screen instructions.

Installing the Driver When Installing Windows 95

A version of the *aic78xx.mpd* (Ultra SCSI) driver is embedded (included) in the Windows 95 installation CD-ROM. During a normal Windows 95 installation, the 7800 Family host adapter (Ultra SCSI or earlier) is detected in your system and the embedded *aic78xx.mpd* driver is automatically installed.



Note: If the Windows 95 installation cannot detect the 7800 Family host adapter (Ultra SCSI or earlier) installed in your computer, or you are installing the *aic78u2.mpd* driver for an Ultra2 SCSI host adapter, you must install the driver manually after Windows 95 is complete. Follow the procedures in the section, *Installing the Driver When Windows 95 is Already Installed*, below

Installing the Driver When Windows 95 is Already Installed

To update or install the *aic78xx.mpd* or *aic78u2.mpd* if Windows 95 is already installed, follow these instructions:



Note: All Adaptec 7800 Family Ultra SCSI (and earlier) host adapters use the *aic78xx.mpd* driver. Ultra2 SCSI adapters use the *aic78u2.mpd* driver. Once the correct driver is updated, it is not necessary to update it again for each 7800 Family host adapter installed in your system.

- 1 Start Windows 95.
- 2 Click the **Start** button on the Windows 95 task bar, and then point to Settings.
- 3 Click **Control Panel**.
- 4 Double-click the System icon.
- 5 On the Device Manager tab, click the plus sign (+) next to the SCSI controller icon.



Note: If Windows 95 cannot determine the type of host adapter installed in your computer, a yellow question mark labelled *Other devices* appears instead of the SCSI controller icon. To continue, click the plus sign (+) next to the question mark; a yellow question mark labelled *PCI SCSI Bus Controller* then appears.

- 6 Double-click the 7800 Family host adapter you wish to update, or if a yellow question mark labelled *PCI SCSI Bus Controller* is displayed, double-click the question mark.
- 7 Insert the Adaptec 7800 Family Manager Set v.3.00 diskette into drive A.
- 8 Select the Drives tab



Note: If the version of Windows 95 you are using displays an **Update Drivers** button instead of a **Change Driver** button, follow the procedures in the section *Updating the Driver for Windows 95 (Version OSR 2)* on page 3-4.

- 9 Click **Change Driver**. If you are prompted to select the hardware type, select **SCSI Controller**.
- 10 Click the **Have Disk** button and enter a:\win95 as the path.
- 11 Click **OK**.
- 12 Select the 7800 Family host adapter, and click **OK**.
- 13 Click **OK**. The driver is copied and scanned.
- 14 You must restart your computer for the changes to take effect. Click **Yes** to restart your computer. Click **No** to return to the system properties window.

Updating the Driver for Windows 95 (Version OSR 2)

This section covers the remaining steps for updating the drives on Windows 95, OSR 2.

- 1 Follow steps 1 through 7 in the previous section, *Installing the Driver When Windows 95 is Already Installed*.
- 2 Click **Update Drivers**.
- 3 In the Update Device Driver Wizard, select **Yes**, then click **Next**.
- 4 Under Location type a:\win95, then click **OK**.
- 5 Click **Finish**.
- 6 The message *Please insert the disk labeled '7800 Family Manager Set v.3.00 Installation Disk'* appears dialog box. Click **OK**.
- 7 In the Copying Files dialog box, a message stating that *'The file AIC78XX.MPD or AIC78U2.MPD on 7800 Family Manager Set v3.00 installation disk could not be found...'* appears. Type a:\win95 and click **OK** to install the driver.
- 8 Click **Yes** to restart you computer to update the changes. To return to the System Properties window, click **No**.



Note: If you wish to re-update the driver again, you must select No at step 3 above, then click Next and follow the onscreen instructions to re-update.

Troubleshooting

Problems and Solutions

What is a miniport driver, and how do I make sure that the miniport driver for my host adapter is installed correctly?

Miniport drivers are 32-bit protected mode device drivers used by Windows 95 to control host adapters and devices. Windows 95 includes a set of miniport drivers for various SCSI host adapters.

If your 7800 Family host adapter is already installed, the adapter's miniport driver is automatically installed and configured during Windows 95 installation. Follow the instructions listed in *Installing the Driver When Windows 95 is Already Installed* on page 3-2 to ensure that the miniport driver is updated.

To make sure the driver is installed correctly in systems running Windows 95, open the Control Panel, double-click on **System**, and click the **Device Manager** tab. Then double-click the **SCSI Controllers** icon; you should see the model name of the SCSI host adapter(s) installed in your system.

What if there is no SCSI Controllers icon under Device Manager, or the model name of the host adapter does not appear under Device Manager?

If the SCSI Controllers icon or your host adapter's model name do not appear in the Device Manager, follow these steps:

- 1 Open Control Panel and double-click the **Add New Hardware** icon. Let Windows search for the host adapter by selecting **Yes** on the second screen of the Add New Hardware Wizard.
- 2 If Windows does not detect the adapter, run the Add New Hardware Wizard again. This time, select **No** on the second screen of the wizard, then select **SCSI Controllers** on the next screen.
- 3 Insert the 7800 Family Manager Set diskette for Windows 95 into your floppy drive.
- 4 Select the model of your 7800 Family host adapter, and then click the **Have Disk** button.
- 5 Enter a:\win95 or b:\win95 as the location to copy the file from.
- 6 Click **OK**. The driver is copied and your system is updated.

Adaptec 7800 Family Manager

- 7 You must restart your computer for the changes to take effect.

What if a yellow exclamation mark or a red X appears in Device Manager in front of my host adapter.

This means there is some kind of resource problem. First, see if the names of any host adapters appear that are not actually installed in your computer. If so, select the name and click **Remove**.

If a red X appears in front of your host adapter name, remove all the host adapter references under SCSI Controllers and run Add New Hardware, as described in the previous question/answer.

If a yellow exclamation point appears in front of your host adapter name, the resources that the driver uses probably do not match the resources used by the hardware. Double-click the host adapter name, then click on the **Resource** tab. Deselect the Use Automatic Settings box and edit the resources (Interrupt Request, Direct Memory Access, etc.) so they match those used by the host adapter. If the problem still remains, there is probably a hardware resource conflict between the host adapter and other hardware in your computer. You can fix this by changing the hardware resource settings. (See your hardware documentation.)

What do I need to do if I change or upgrade my host adapter?

- 1 Open the Control Panel, double-click on **System**, and click the **Device Manager** tab.
- 2 Double-click the **SCSI Controllers** icon, select the name of the old host adapter, and click **Remove**.
- 3 Turn OFF the computer and physically remove the currently installed host adapter.
- 4 Install the new host adapter according to the instructions in the hardware documentation.
- 5 Turn the computer ON. If the new host adapter supports Plug and Play, Windows will install and configure it automatically. Otherwise, run Add New Hardware to make sure the new driver is loaded.

If I am running under Windows 95, do I need lines for the Adaptec real mode ASPI drivers and *mscdex* in my *config.sys* and *autoexec.bat* files?

Usually, you do *not* need to use these Real mode ASPI drivers, because the new Windows miniport drivers support most SCSI host adapters and SCSI devices. However, you need to load the drivers (including *mscdex*, if you have a CD-ROM drive) if any of the following is true:

- You are running in MS-DOS mode and need to access your CD-ROM drive.
- You are using a scanner or another SCSI device with *config.sys*- or *autoexec.bat*-based drivers, such as Hewlett Packard *sjix.sys*.
- You have an older model SCSI-1 CD-ROM drive that Windows 95 does not support.
- You are using a CD-Recorder drive (however, some newer models of CD-Recorder drives can use the embedded Windows miniport drivers).

My CD-ROM drive doesn't work properly under Windows 95.

Some older models of SCSI CD-ROM drives are not compatible with the embedded Windows 95 CD-ROM driver. You can add support for the CD-ROM drive by doing the following:

- 1 Make sure your ASPI Real mode drivers (including *aspicd.sys*, *aspi8dos.sys*, and *mscdex.exe*) are loaded and running from your *config.sys* and *autoexec.bat* files. Refer to the EZ-SCSI User's Guide for more information.
- 2 If step 1 did not work, find the file named *cdtsd.vxd* in the `\windows\system\iosubsys` directory and rename it *cdtsd.sav*.

Adaptec 7800 Family Manager

My CD-ROM drive shows up as more than one icon under My Computer.

The mapping between *mscdex*, which runs in Real mode, and the Windows 95 CD-ROM driver does not match. You can correct this in one of two ways:

- Comment out the line that loads *mscdex.exe* in the *autoexec.bat* file.
- Change the /L switch on the line that loads *mscdex.exe* in the *autoexec.bat* file so it assigns the CD-ROM drive the next highest logical drive letter after the hard disk drives.



4

Novell NetWare Installation

This chapter explains how to install the Adaptec 7800 Family Manager Driver *aic7870.dsk* (Ultra SCSI) or *aic78u2.ham* (Ultra2 SCSI) for Novell NetWare— NetWare v3.1x, v4.0, and v4.1x. The *aic7870.dsk* driver supports all Adaptec 7800 Family UltraSCSI (and earlier) host adapters, and the *aic78u2.ham* driver supports all Ultra2 SCSI adapters. Refer to the list on page 1-3.

If you are performing a first time NetWare installation, see *Installing the Driver When Installing NetWare* on page 4-2. If NetWare is already installed in your system, see *Installing the Driver When NetWare is Already Installed* on page 4-4.

Installing the Driver When Installing NetWare

To install the *aic7870.dsk* or *aic78u2.ham* driver when you install NetWare, follow the instructions below for the version of NetWare you are installing.

NetWare v3.1x

Follow these instructions only if you are installing NetWare v3.1x for the first time:

- 1 Follow the procedures in your NetWare documentation for installing a new server.
- 2 After completing the NetWare installation, exit to DOS.
If you are installing the *aic89u2.ham* driver, continue on to step 3. If you are installing the *aic7870.dsk* driver, jump to step 5.
- 3 Copy all the files from the *NetWare 3.12 Patch Disk* to the *c:\server.312* directory. Do this with the following command:
copy a:.* c:\server.312\server.exe
- 4 Update the *server.exe* file with the following command:
lswap c:\server.312\loader.exe c:\server.312
- 5 Create the *startup.ncf* with the following lines:
load pm312
pmload c:\server.312
load aic78u2
- 6 Start *server.exe* and continue with the installation.

NetWare v4.0 or v4.1x

Follow these instructions only if you are installing NetWare v4.0 or v4.1x for the first time:

- 1 Begin installation of NetWare v4.0 or v4.1x on your server as instructed in your NetWare documentation.
- 2 When a screen appears that asks you to select a disk driver, press **Insert**.
- 3 Insert the Adaptec 7800 Family Manager Set diskette for NetWare into your disk drive.
- 4 Press **F3** and specify the path to the *aic7870.dsk* or *aic78u2.ham* driver for NetWare (e.g., *a:\netware\v4_xx* on the diskette).
- 5 Select *AIC7870.DSK* or *AIC78U2.HAM* and press **Enter**.
- 6 Press **Alt-ESC**. From the console prompt type the following:
load a:\netware\aic7870.dsk
or
load a:\netware\aic78u2.ham
- 7 Press **Enter**. A list of slot numbers separated by commas is displayed. Write down all slot numbers listed. Do not press **Enter**.
- 8 Press **ESC** twice.
- 9 At the prompt, press **Alt-ESC**.
- 10 Choose Select/Modify Driver Parameters then press **Enter**.
- 11 Type the slot number and press **Enter**.
- 12 Press **F10**, or **ESC**.
- 13 Choose Save Parameters and Continue, and press **Enter**.
- 14 To install additional adapters, follow the procedures from step 10.
- 15 When complete, select Continue the Installation to complete the installation.



Note: To load the driver automatically at server bootup, make sure the *startup.ncf* file includes the load command line for your host adapter. See *Installing the Driver When NetWare is Already Installed* on page 4-4 and *Loading the Driver at Server Bootup* on page 4-5.

Installing the Driver When NetWare is Already Installed

To update or install the *aic7870.dsk* or *aic78u2.ham* driver when NetWare is already installed, follow the instructions in this section. The procedures are similar for all versions of NetWare. Procedures that are specific to a NetWare version are noted when necessary.

- 1 Make a backup copy of the old driver (if it exists) before installing the new driver.
- 2 Copy the *aic7870.dsk* or *aic78u2.ham* driver from the 7800 Family Manager Set diskette for NetWare into the server's startup directory (e.g., *c:\nwserver*, *c:\server.40*, *c:\server.312*) on your hard disk. This overwrites any existing version of the driver in the directory.



Note: For NetWare v3.1x, the driver file is located in the *\netware\v3_1x* directory on the diskette; for NetWare v4.0 and v4.1x, the file is in *\netware\v4_xx*.

- 3 If necessary, modify the load command line in the *startup.ncf* file so that the proper path to the driver and all appropriate command line options are specified. See *Loading the Driver at Server Bootup* on page 4-5.

The correct syntax to load the 7800 Family driver is

```
load [pathname]aic7870 [options]
```

or

```
load [pathname]aic78u2 [options]
```

Command line options are *not* case sensitive. Placing commas between command line options is optional. See *Loading the Driver at Server Bootup* on page 4-5 for possible values.

Loading the Driver at Server Bootup

To automatically load the *aic7870.dsk* or *aic78u2.ham* at server bootup, the *startup.ncf* file (usually located in your server's startup directory) must contain a load command line that specifies the location of the driver and any appropriate command line options (see *Using the Load Command Line Options* on page 4-7). For additional information on the *startup.ncf* file, refer to your NetWare documentation.



Note: To load the driver from your hard disk, the driver and *aspitran.dsk* module must be copied from the 7800 Family Manager Set diskette for NetWare to a directory on your hard disk [usually the server's startup directory (e.g., *c:\nwserver*)].

The correct syntax to load the driver is

```
load [pathname]aic7870 [options]
```

or

```
load [pathname]aic78u2 [options]
```

For example, the command line to load the driver from the *c:\nwserver* directory, with the *verbose=* option *on* is

```
load c:\nwserver\aic7870 verbose=y
```

or

```
load c:\nwserver\aic78u2 verbose=y
```

Adaptec 7800 Family Manager

Command line options are *not* case sensitive. Placing commas between command line options is optional. See *Using the Load Command Line Options* on page 4-7 for possible values.

To modify the *startup.ncf* file, follow these steps:



Note: You can also use your DOS text editor to modify the *startup.ncf* file.

- 1 Type `load install` at the NetWare prompt and press **Enter**.
- 2 Select the appropriate menu choice that allows you to edit the *startup.ncf* file.
- 3 Make the necessary changes. When you are done, press **Esc**.

Using the Load Command Line Options

You can specify several command line options when the driver is loaded. The available options are described in the tables below. The first table describes the command line options for the *aic7870.dsk* driver for Ultra SCSI and earlier products. The second table describes command line options for the *aic78u2.ham* driver for Ultra2 SCSI products.

Table of aic7870.dsk Command Line Options:

Option	Values	Default	Description
auto_bus_fairness=	on, off	on	Enables/disables auto SCSI bus fairness algorithm.
auto_disable_tagq=	on, off	on	Enables/disables auto disable tag queuing algorithm.
auto_flush_diskreq=	on, off	on	Enables/disables auto disk flush algorithm.
cdrom=	on, off	on	Enables/disable driver support for CD-ROM devices; on = Driver, off = ASPI.
dev_enable=	00-FFFF	FFFF	Allows you to enable the driver's registration of SCSI devices on a per target basis. By default, all targets are scanned. A bit value of 0 causes the target not to register under the operating system. These devices are still accessible via ASPI. This enable bit mask is entered in hex (see <i>Bit Mask Options</i> on page 4-12).

Adaptec 7800 Family Manager

Option	Values	Default	Description
ext_tran=	yes, no	no	Determines translation method for a new drive in the system; yes = extended, no = standard. By default, standard translation is used unless set to extended by <i>SCSISelect</i>
fixed_disk=	on, off	on	Enables/disables support for hard disks. By default, hard disks are supported. You may want to disable hard disk support in order to load an ASPI Fixed Disk Module.
flush_diskreq=	00-FFFF	0	A bit mask to send occasionally ordered tags to specific targets. By default, no targets receive occasionally ordered tags. This bit mask is entered in hex (see <i>Bit Mask Options</i> on page 4-12).
instr=	on, off	off	Enables/disables recording of I/O statistics.
io_combine=	1-32	16	Specifies maximum number of segments in a scatter/gather list.
lun_enable= ¹	00-FFFF	01	A bit mask to enable scanning for specific LUNs on all targets. The default value of 01 causes the driver to scan LUN 0 only. This enable bit mask is entered in hex (see <i>Bit Mask Options</i> on page 4-12.)
max_tags=	1-128	16	Specifies maximum number of tagged commands per device.

Option	Values	Default	Description
multlun_targets	00-FFFF	FFFF	A bit mask to enable LUNs on selected targets. By default, LUNs on all targets are enabled. This bit mask is entered in hex (see <i>Bit Mask Options</i> on page 4-12).
read_after_write	0-1	1	Specifies default verify mode; 0 = Off (No verify on writes), 1 = On (Hardware verify).
removable= ¹	on, off	on	Enables/disables support for removable media other than CD-ROMs. By default, removable media is supported. You may want to disable removable disk support in order to load an ASPI Removable Disk Module.
start_unit	0-FFFF	0	A bit mask to enable sending the Start_Unit command to specific targets. By default, the command is not sent to any target. This feature is not needed by most devices. This bit mask is entered in hex (see <i>Bit Mask Options</i> on page 4-12).
tag_disable	0-FFFF	0	A bit mask to disable tagged queuing for specific targets. By default, tagged queuing is enabled for all targets. If bit mask is set, then tagged queuing for that particular device is disabled. This bit mask is entered in hex (see <i>Bit Mask Options</i> on page 4-12).

Adaptec 7800 Family Manager

Option	Values	Default	Description
slot=	0-xxxx ²	0	Defines a physical slot number for the host adapter. If 0 is specified, or if this option is not specified, then the driver loads for all 7800 Family host adapters.
verbose=	yes, no	no	Displays host adapter configuration information at load time.

¹ Many multiple-lun and removable media devices are changers or magazines. Some of these are only supported by the driver through an ASPI driver provided by the hardware vendor.

² The values can vary and are dependent on the system configuration.

Table of aic78u2.dsk Command Line Options

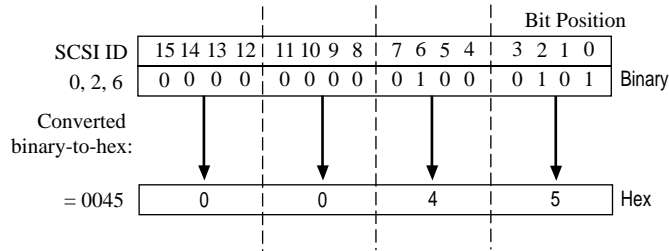
Option	Values	Default	Description
auto_bus_fairness=	on, off	on	Enables/disables auto SCSI bus fairness algorithm.
auto_disable_tagq=	on, off	on	Enables/disables auto disable tag queuing algorithm.
auto_flush_diskreq=	on, off	on	Enables/disables auto disk flush algorithm.
dev_enable=	0-FFFF	FFFF	Allows you to enable the driver's registration of SCSI devices on a per target basis. By default, all targets are scanned. A bit value of 0 causes the target not to register under the operating system. These devices are still accessible via ASPI. This enable bit mask is entered in hex (see <i>Bit Mask Options</i> on page 4-12).

Option	Values	Default	Description
flush_diskreq=	0-FFFF	0	A bit mask to send occasionally ordered tags to specific targets. By default, no targets receive occasionally ordered tags. This bit mask is entered in hex (see <i>Bit Mask Options</i> on page 4-12).
lun_enable= ¹	0-FF	01	A bit mask to enable scanning for specific LUNs on all targets. The default value of 01 causes the driver to scan LUN 0 only. This enable bit mask is entered in hex (see <i>Bit Mask Options</i> on page 4-12.)
max_tags=	1-128	16	Specifies maximum number of tagged commands per device.
multlun_targets=	0-FFFF	FFFF	A bit mask to enable LUNs on selected targets. By default, LUNs on all targets are enabled. This bit mask is entered in hex (see <i>Bit Mask Options</i> on page 4-12).
slot=	0-xxxx ¹	0	Defines a physical slot number for the host adapter. If 0 is specified, or if this option is not specified, then the driver loads for all 7800 Family host adapters.
verbose=	yes, no	no	Displays host adapter configuration information at load time.

¹ The values can vary and are dependent on the system configuration.

Bit Mask Options

Use the example below as an aid for calculating bit mask option hex values. Each SCSI device is enabled by a 1 in its corresponding bit position. The table that follows the figure, lists the binary-to-hex conversions. Using this example, if you want to enable scanning for LUNs 0, 2, and 6 on all targets, then use the command line option of lun_enable=0045.



Binary	Hex.	Binary	Hex.
0000	0	1000	8
0001	1	1001	9
0010	2	1010	A
0011	3	1011	B
0100	4	1100	C
0101	5	1101	D
0110	6	1110	E
0111	7	1111	F

Sample Load Commands

Here is a simple load command with no option switches (if loaded from drive A):

```
load a:\netware\v3_1x\aic7870
```

If an error message appears when attempting to load the driver, refer to *Troubleshooting* on page 4-18.

Here is an example of the *aic7870.dsk* driver being loaded with command line options (if loaded from drive A):

```
load a:\netware\v3_1x\aic7870 verbose=y slot=22
```


Using NetWare and the Host Adapter

This section contains useful information on using NetWare and your host adapter.

Using Removable Media

The *aic7870.dsk* driver module fully supports removable-media disk drives, including magneto-optical drives. Removable media is treated as a standard SCSI hard disk, with some exceptions:

- The driver only recognizes and registers media with 512 bytes/sector.
- NetWare allows you to mount/dismount the media, and to lock/unlock the media.

NetWare's *monitor.nlm* program supports several removable media options. Follow these steps to view and configure these options:

- 1 Load *monitor.nlm* to display the various options.
- 2 Select **Disk Information**. All system disk drives appear.
- 3 Select the removable-media device. The following drive status items appear:

Menu Choice	Default Value
1. Volume Segments On Drive ¹	(select for list)
2. Read After Write Verify ¹	Hardware Level
3. Drive Light Status ¹	Not Supported
4. Driver Operating Status ¹	Active
5. Removable Drive Mount Status ²	Mounted
6. Removable Drive Lock Status ²	Not Locked

¹ Valid for both removable and nonremovable types of SCSI disk drives.

² Valid for removable media only

Mount Status

Mounting causes a drive to come online as a NetWare storage device. Dismounted drives are inactive and cannot be accessed.

Before you eject your current media, you should first *dismount* it (menu choice 5). When the media status is *dismounted*, you can eject the media. However, NetWare does not allow you to dismount it if the media is locked.

To insert your new media, wait for the drive to spin-up, and then select the **Drive Mount** option.

Lock Status

If your removable-media device supports the Lock/Unlock feature, you can lock the media (menu choice 6). The media must be in the *Not Locked* state before you can eject it. If the media is *Locked*, it cannot be ejected when you press the **Eject** button.

Verify (*aic7870.dsk* driver only)

Read After Write Verify (menu choice 2) is set to *Hardware Level* by default. The option can also be set on the command line, see *Using the Load Command Line Options* on page 4-7.

The available options are defined as follows:

Read After Write Verify	
Option Setting	Function
Disabled	All writes to SCSI disk drives are with the SCSI Write command (2Ah).
Hardware Level	All writes to SCSI disk drives are with the SCSI Write and Verify command (2Eh). If not supported by the drive, behavior is the same as if Read After Write Verify is disabled. We recommend this setting for best data security.
Software Level	Not supported.

Using the NetWare Tape Backup

Included with Novell NetWare is a server-based tape backup utility called *sbackup.nlm*. This utility allows you to backup server disk drives to a server tape drive. The utility supports Adaptec host adapters.

Novell NetWare documentation contains instructions for loading the server backup software. Refer to the *NetWare Server Backup Manual* to load the *tapedai*, *tsa*, and *sbackup* modules.

- 1 Once you have loaded *aic7870.dsk* or *aic78u2.ham*, load *tapedai.dsk*, *tsaxxx.nlm* (*tsa312.nlm*, *tsa400.nlm*, *tsa410.nlm*), and *sbackup* with these options:

```
:load tapedai
:load tsaxxx
:load sbackup
```

The appropriate driver that interfaces *sbackup* to ASPI is loaded automatically.

If you are *duplexing* the Adaptec 7800 Family host adapter with another host adapter for NetWare drive *mirroring*, you must also load the appropriate ASPI manager (*.dsk*) for the second host adapter.

- 2 When *sbackup* is loaded, it asks for a login name. Enter the appropriate name.
- 3 If *sbackup* asks you to select the device driver, select the **HP DIBI-2 Tape Driver**, regardless of the type of SCSI tape drive being attached (e.g., even if the tape drive is manufactured by Wangtek, *do not* select the Wangtek driver).



Note: Novell also includes a driver called *adaptec.nlm*. This driver is not needed and should not be loaded. Adaptec's driver module takes advantage of ASPI interface features bypassed by *adaptec.nlm*.

Novell publishes a list of SCSI tape drives supported by *sbackup.nlm*.

Using a CD-ROM with NetWare

To use a CD-ROM with NetWare v3.1x, v4.0, or v4.1x, follow these instructions:

- 1 Load *aic7870.dsk* or *aic78u2.ham* by entering the following line:

```
:load [pathname]aic7870
```

or

```
:load [pathname]aic78u2
```

- 2 If using an Ultra SCSI host adapter, load *aspicd.dsk* by entering the following line:

```
:load [pathname]aspicd
```

For multiple LUN CDs, enable multiple LUN scanning with the *lun_enable* switch (e.g., load *aspicd lun_enable=FF*). The *lun_enable* switch is not needed for *aic7870.dsk* or *aic78u2.ham*.

- 3 Load *cdrom.nlm* by entering the following line:

```
:load [pathname]cdrom.nlm
```



Note: For NetWare 4.01 and 4.02 only: You have to load *nwpa.nlm* before you can load *cdrom.nlm*.

- 4 Enter the following line at the prompt and then note the number and name of the CD:

```
:cd device list
```

- 5 Enter the number or volume name of the CD at the command line:

```
:cd mount [x] [name]
```

Optimizing Performance

The Adaptec 7800 Family SCSI Bus Master firmware increases the SCSI performance of the Adaptec 7800 Family host adapters under multitasking environments. The firmware uses a paging mechanism to handle up to 255 simultaneous SCSI commands. The sequencer can simultaneously manage up to 128 tagged, or 1 nontagged, SCSI commands for each SCSI device, up to a limit of 255 SCSI commands. The firmware can queue as many commands as the operating system is able to send to the host adapter. To set this feature, enter the following command:

```
max_tags=n
```

In general, a low number of `max_tags` gives better sequential performance, and a high number a better random performance.



Note: A large number of `max_tags` can also cause starvation problems leading to deactivations with some drives.

Troubleshooting

Error Messages

The error messages listed below are the messages associated with the *aic7870.dsk* or *aic78u2.ham* driver. Messages are listed sequentially according to the last three digits of the error code. For example, [xxxxx080], [xxxxx081], [xxxxx082], etc.



Note: When reporting problems to Customer Support, be sure to include the complete error code in your problem description.

[xxxxx080] Unable to allocate memory

This indicates that there may be a problem with the amount of memory installed in your system. Verify that your system has at least the minimum amount of memory required by your operating system.

[xxxxx081] Adapter software initialization failure

An error has occurred while the driver was setting up its internal data structures. Verify that your adapter is supported by this version of the driver.

[xxxxx082] Internal driver error

An error has occurred while the driver was setting up its internal data structures. Try installing the most up-to-date version of the driver available from the Adaptec Web site or BBS.

[xxxxx083] Adapter not supported by this version of the driver

Your adapter is not supported by the driver on your system. You may have installed a new adapter and have not updated the driver on your system.

[xxxxx084] Adapter software initialization failure

An error has occurred while the driver was setting up its internal data structures. Try installing the most up-to-date version of the driver available from the Adaptec Web site or BBS.

[xxxxx085] Unable to allocate memory

This indicates that there may be a problem with the amount of memory installed in your system. Verify that your system has at least the minimum amount of memory required by your operating system.

[xxxxx087] Internal driver error

An error has occurred while the driver was setting up its internal data structures. Try installing the most up-to-date version of the driver available from the Adaptec Web site or BBS.

[xxxxx088] Adapter software initialization failure

An error has occurred while the driver was setting up its internal data structures. Try installing the most up-to-date version of the driver available from the Adaptec Web site or BBS.

[xxxxx089] Unable to allocate memory

This indicates that there may be a problem with the amount of memory installed in your system. Verify that your system has at least the minimum amount of memory required by your operating system.

[xxxxx096] Adapter hardware initialization failure - possible resource conflict

The driver has attempted to initialize the adapter hardware but failed. This might suggest that the adapter resources (e.g., IRQ) conflict with the resources of another board installed in your system.

[xxxxx099] Adapter software initialization failure

[xxxxx09a] Adapter software initialization failure

[xxxxx09b] Adapter software initialization failure

An error has occurred initializing one of the driver's internal data structures for a device connected to the adapter. This may result in problems accessing the device. Try installing the most up-to-date version of the driver available from the Adaptec Web site or BBS.

[xxxxx0ab] Driver already loaded for this host bus adapter

The driver is already loaded for this adapter. Verify that the correct adapter is specified in your command line or startup file.

[xxxxx0ac] Driver already loaded for all host bus adapters

The driver is already loaded for all the supported adapters in this system.

Adaptec 7800 Family Manager

[xxxxx0a4] SCSI bus reset by third party hardware

Hardware such as an array enclosure may have reset the SCSI bus. This is a normal condition unless you receive additional errors.

[xxxxx0a7] Unable to allocate memory

[xxxxx0a8] Unable to allocate memory

This indicates that there may be a problem with the amount of memory installed in your system. Verify that your system has at least the minimum amount of memory required by your operating system.

[xxxxx0a9] Possible interrupt conflict

This indicates that the adapter IRQ conflicts with the IRQ of another board installed in your system. Check your hardware documentation for instructions on setting and changing IRQs.

[xxxxx0c9] Invalid command line parameter

A command line option for the driver is invalid. See *Using the Load Command Line Options* on page 4-7 for valid command line options.

[xxxxx0ca] Invalid command line syntax

[xxxxx0cb] Invalid command line syntax

[xxxxx0cc] Invalid command line syntax

The command line syntax for the driver is incorrect. See *Using the Load Command Line Options* on page 4-7 for entering the correct syntax.

[xxxxx07c] Unable to allocate memory

[xxxxx07d] Unable to allocate memory

[xxxxx07e] Unable to allocate memory

[xxxxx07f] Unable to allocate memory

This indicates that there may be a problem with the amount of memory installed in your system. Verify that your system has at least the minimum amount of memory required by your operating system.



...5

IBM OS/2 Installation

This chapter explains how to install the Adaptec 7800 Family Manager Set Driver for OS/2. The *aic7870.add* driver supports Ultra SCSI devices for OS/2 v.2.1x, and OS/2 Warp3.x, 4.x, and 4.x SMP. The *aic78u2.add* driver supports Ultra2 SCSI devices for OS/2 Warp 3.x, 4.x, and 4.x SMP. Refer to the list of devices on page 1-3.

If you are installing OS/2 for the first time, see *Installing the Driver When Installing OS/2* on page 5-1. If OS/2 is already installed in your system, see *Installing the Driver When OS/2 is Already Installed* on page 5-6.

Installing the Driver When Installing OS/2

To install the *aic7870.add* or *aic78u2.add* driver at the same time you install OS/2, follow the instructions below for the version of OS/2 you are installing.



Note: When installing OS/2 from a CD-ROM, be sure the CD-ROM SCSI ID is not set to 0 or 7.

Installing OS/2 v2.1x (Ultra SCSI Driver Only)

Follow these instructions *only* if you are installing OS/2 v2.1x for the first time. We assume here that OS/2 is not already installed on the system. You will need to have access to a computer where you can copy DOS files from one diskette to another.



Note: To install the *aic7870.add* driver, it is necessary to copy the driver from the 7800 Family Manager Set diskette for OS/2 on to the OS/2 installation diskette #1. However, before you can copy the driver, you must first remove various files from the OS/2 installation diskette #1, as explained in step 2 below.

- 1 Go to a computer on which DOS, Windows[®], or OS/2 is already installed. Use diskcopy to make backup copies of all IBM OS/2 and Adaptec-supplied diskettes. Use the backup copies as your working diskettes.
- 2 Delete some of the existing files on the backup copy of the OS/2 diskette #1 so that approximately 120 KBytes of disk space is available on the diskette. Use the following information to help you decide which files to delete:
 - If the Adaptec 7800 Family host adapter is the only Adaptec host adapter installed in your system, delete all Adaptec drivers (*aha152x.add*, *aha154x.add*, *aha164x.add*, *aha174x.add*, *aic7770.add*, and *fd16_700.add*).
 - If you have an Adaptec host adapter that is not part of the 7800 Family, delete all of the Adaptec drivers not used by that particular host adapter. For example, if you have an Adaptec AHA-1540CP host adapter installed in your computer, delete all Adaptec drivers except for the *aha154x.add* driver.
 - If you have deleted the suggested Adaptec drivers above, and you still do not have approximately 120 KBytes of disk space available on the diskette, delete these files:
ibm2flpy.add, *ibm2adsk.add*, and *ibm2scsi.add*.
- 3 Copy the *os2ldr* file from the 7800 Family Manager Set diskette for OS/2 (i.e., *os2\aic7870*) onto the OS/2 installation diskette.

- 4 Copy the *ibmint13.i13* and the *aic7870.add* files from the 7800 Family Manager Set diskette for OS/2 (i.e., \os2\aic7870) onto the OS/2 diskette # 1.
- 5 Add the following line to the *config.sys* file on diskette #1:
basedev=aic7870.add
- 6 Run the OS/2 v2.1x installation program; follow the instructions in your OS/2 documentation.
- 7 At the end of the installation process, follow the onscreen instructions to remove the last OS/2 distribution diskette and reboot the computer.
- 8 After the computer has restarted, OS/2 displays a welcome screen. You have the option to view online information while the OS/2 desktop is building. Allow OS/2 to finish building.



Note: Refer to the *readme.txt* file for any additional information on installing OS/2 v2.1x and the driver.

Installing OS/2 Warp 3.x, 4.x, and 4.x SMP

Follow these instructions *only* if you are installing OS/2 Warp 3.x, 4.x, and 4.x SMP for the first time. The instructions are the same for these versions of OS/2, unless otherwise stated. We assume here that OS/2 is not already installed on the system. You will need to have access to a computer where you can copy DOS files from one diskette to another.



Note: To install the *aic7870.add* or *aic78u2.add* driver, it is necessary to copy the driver from the Adaptec 7800 Family Manager Set diskette for OS/2 on to the OS/2 installation diskette #1. However, before you can copy the driver, you must first remove various files from the OS/2 installation diskette #1, as explained in step 2 below.

- 1 Go to a computer on which DOS, Windows, or OS/2 is already installed. Use *diskcopy* to make backup copies of all IBM OS/2 and Adaptec-supplied diskettes. Use the backup copies as your working diskettes.

Adaptec 7800 Family Manager

- 2 Delete some of the existing files on the backup copy of the OS/2 installation diskette #1 so that approximately 140 KBytes of disk space is available on the diskette. Use the following information to help you decide which files to delete:
 - If the Adaptec 7800 Family host adapter is the only Adaptec host adapter installed in your system, delete all Adaptec drivers (*aha152x.add*, *aha154x.add*, *aha164x.add*, *aha174x.add*, *aic7770.add*, and *fd16_700.add*).
 - If you have an Adaptec host adapter that is not part of the 7800 Family, delete all of the Adaptec drivers not used by that particular host adapter. For example, if you have an Adaptec AHA-1540CP host adapter installed in your computer, delete all Adaptec drivers except for the *aha154x.add* driver.
 - If you have deleted the suggested Adaptec drivers above, and if you do not have a Microchannel architecture system, and you still do not have approximately 120 KBytes of disk space available on the diskette, delete these files:
ibm2flpy.add, *ibm2adsk.add*, and *ibm2scsi.add*.



Note: If you have a combination PCI/Microchannel architecture system, you need to delete third-party driver files not required.

- 3 Copy the *aic7870.add* or *aic78u2.add* driver from the 7800 Family Manager Set diskette for OS/2 onto the OS/2 installation diskette #1. This overwrites any existing version of the driver included on diskette #1.



Note: The *aic7870.add* driver resides in the *los2\aic7870* directory and the *aic78u2.add* driver resides in the *los2\aic78u2* directory.

- 4 For each driver removed from the OS/2 diskette #1, remove its corresponding line in the *config.sys* file (also on OS/2 diskette #1).

For example, if you deleted all Adaptec drivers, as explained in Step 2a, above, remove the following lines from the *config.sys* file:

```
basedev=aha152x.add  
basedev=aha154x.add  
basedev=aha164x.add  
basedev=aha174x.add  
basedev=aic7770.add  
basedev=fd16_700.add
```

- 5 In the *config.sys* file on OS/2 diskette #1, add the following line:

```
set copyfromfloppy=1
```

This line must be added so that the install process copies the *aic7870.add* or *aic78u2.add* driver from the OS/2 diskette #1, instead of the *aic7870.add* driver included on your OS/2 CD-ROM.



Note: For OS/2 Warp 4.0 or 4.0 SMP users only, add the *basedev=aic7870.add* or *basedev=aic78u2.add* line to the top line of the *config.sys* file on OS/2 diskette #1. This will result in two *basedev=aic7870.add* or *basedev=aic78u2.add* statements existing in the *config.sys* file.

- 6 Run the OS/2 installation program; follow the instructions in your OS/2 documentation until you reach the System Configuration window.
- 7 In the System Configuration windows, click the SCSI Adapter Support icon.
- 8 Deselect any highlighted adapters (including the Adaptec 294x, 394x, AIC7870 PCI SCSI), and click **OK**. The text box for SCSI Adapter Support should say None.



Note: If these adapters are not deselected, the driver included on the CD-ROM will be copied over the driver being installed.

- 9 Follow the instructions in your OS/2 documentation to complete the installation.



Note: The update files *os2ldr* and *ibmint13.i13* included with the Adaptec 7800 Family Manager Set are not needed when installing OS/2 Warp.

After installation is complete, verify that only one basedev=*aic7870.add* statement exists in the *config.sys* file on your hard drive. Remove other instances if more than one is found.

Installing the Driver When OS/2 is Already Installed

To update or install the *aic7870.add* or *aic78u2.add* driver if OS/2 is already installed, follow the instructions below. The procedures are similar for all versions of OS/2. Procedures that are specific to an OS/2 version are noted when necessary.

- 1 If you are updating the driver, simply copy the *aic7870.add* or *aic78u2.add* driver from the 7800 Family Manager Set diskette for OS/2 (e.g., *los2\aic7870.add* or *los2\aic78u2.add*) into the *los2* directory (for OS/2 v2.1x) or *los2\boot* directory (for OS/2 Warp 3.x, 4.x, or 4.x SMP) on your hard disk. (*Make a backup copy of the older driver before doing this.*) This overwrites any existing version of the driver in the directory. Updating of the driver is complete; *do not* continue with Steps 3 through 5.



Note: The *aic78u2.add* driver does not support OS/2 v2.1x

If OS/2 has been installed and does not recognize the Adaptec 7800 Family host adapter, or if you are adding your Adaptec

7800 Family host adapter to your OS/2 computer, you need to install the driver. To do so, continue with Step 2:

- 2 Run the *ddinstal* program by selecting the **Device Driver Install** icon from the System Setup folder or by typing *ddinstal* at the OS/2 prompt.



Note: If you are running OS/2 v2.1x, change to the directory containing *aic7870.add* and associated files and run *ddinstal* from the OS/2 prompt.



Caution: If you are running OS/2 v2.1x GA, *do not* run Device Driver Install from the System Setup folder. Instead, open a full screen OS/2 session and change to the drive with the 7800 Family Manager Set diskette for OS/2. Then type *ddinstal* and press **Enter**.

- 3 Insert the Adaptec 7800 Family Manager Set diskette for OS/2 in the appropriate disk drive and follow the prompts from *ddinstal*.
- 4 The computer scans for the host adapter(s). If a host adapter is found, the Installing Device Drivers message appears. Another message appears when the driver is successfully installed. If no host adapters are found, an error message appears.
- 5 Reboot the computer for the changes to take effect.

Using Command Line Options

Once installed, the *aic7870.add* or *aic78u2.add* driver does not usually require any modifications to its configuration. In certain situations, however, you may wish to add command line options to the driver to meet your specific needs. The command line options described in this section can be used in OS/2 v2.1x and OS/2 Warp 3.x and 4.x.

The *aic7870.add* or *aic78u2.add* driver command line resides in the *config.sys* file. Command line options are not case sensitive, and take effect after the computer is rebooted. The command line syntax is

```
basedev=aic7870.add [Universal Parameters] [Adapter ID]  
[Unit Parameters: [SCSI Target ID]]
```

or

```
basedev=aic78u2.add [Universal Parameters] [Adapter ID]  
[Unit Parameters: [SCSI Target ID]]
```



Caution: Your computer may not boot if you enter the command line options incorrectly.

Universal Parameters

/et

Embedded targets allowed. Makes the driver assume that all targets have more than one Logical Unit Number (LUN) defined.

!/et

No embedded targets allowed. Makes the driver assume that all targets have only one LUN defined. (This is the default setting.)

/v

Verbose mode. Information such as the driver name, version number, and Adaptec copyright appears if the driver loads successfully. Also displays information about all targets found in the computer.

/pcihw

PCI configuration hardware registers. Enables driver to access PCI configuration hardware registers. This switch is available for some PCI systems that run into problems when trying to access PCI configuration space through PCI BIOS function calls. (This is the default setting.)

!/pcihw

Disables the /pcihw switch. This parameter will cause the driver to access the PCI configuration space through PCI BIOS function calls.

Adapter ID

/a:n

Adapter numbers are assigned based on BIOS address (starting from the lowest first) and the Device number (PCI Device number in hex as seen at the upper right hand corner of the first *SCSISelect* screen) if the BIOS is disabled. Built-in single-channel host adapters are generally assigned ID 0 (zero), as the first found adapter.

Unit Parameters

Replace the italicized letters (*x,y,z*) in the switch descriptions below with the SCSI target ID(s) of the device(s) that you want affected. The IDs may be a single ID (*x*) or a list of IDs (*x,y,z*). The IDs must be separated by commas.

/dm:*x,y,z*

Enables Direct Access Storage Device (DASD) manager support. Allows *os2dasd.dmd* to control the specified target(s) when they are identified as DASD devices. (This is the default setting.)

!/dm:*x,y,z*

Disables DASD manager support. Prevents *os2dasd.dmd* from controlling the specified target(s).



Caution: *Do not* disable DASD manager support to the boot drive, or the computer will not be able to boot.

Adaptec 7800 Family Manager

/sm:x,y,z

Enables SCSI manager support for the target device(s) *x,y,z*. Allows *os2scsi.dmd* to control the specified target(s) if they are identified as non-DASD SCSI devices. All SCSI hard drives are controlled by *os2dasd.dmd*. (This is the default setting.)

/!sm:x,y,z

Disables SCSI manager support. Prevents *os2scsi.dmd* from controlling the specified target(s).

/tag:x

Specifies the maximum number of tagged commands for all target devices on the host adapter (1-16). A value of 1 disables tagged queuing. The maximum number allowed is 16. (The default is 8.)

/i

Ignores the host adapter. The driver ignores the host adapter so that another driver may control it.

/ur

Enables reporting of underruns.

/!ur

Disables reporting of underruns. (This is the default setting.)

Command Line Examples

Example 1

Suppose that you have a removable-media drive as target 3. Normally *os2dasd* allocates this device, treats it as a large floppy, and prevents you from sending any SCSI commands via another device manager. The command line below prevents *os2dasd.dmd* from accessing the target and allows *os2scsi.dmd* and *os2aspi.dmd* to share access to it:

```
basedev=aic7870.add /a:0 /!dm:3
```

or

```
basedev=aic78u2.add /a:0 /!dm:3
```

Example 2

Suppose that you have a multidisk CD-ROM as target 4 on host adapter 0 and two DASD devices as targets 1 and 5 on host adapter 1. The command line below prevents *os2scsi.dmd* from accessing the CD-ROM and *os2dasd.dmd* from controlling the DASD devices. The driver searches for multiple LUNs on all devices.

```
basedev=aic7870.add /et /a:0 /!sm:4 /a:1 /!dm:1,5
```

or

```
basedev=aic78u2.add /et /a:0 /!sm:4 /a:1 /!dm:1,5
```



Note: There are no switches for directly controlling *os2aspi.dmd*, the ASPI device manager.

Troubleshooting

Problems and Solutions

How do I assign an interrupt for the host adapter?

The interrupt assignment is handled via the motherboard BIOS. You may or may not be able to assign an interrupt manually. Refer to your motherboard or system documentation.

During installation, OS/2 fails to find the hard drive.

Make sure the latest driver from Adaptec has been installed. Add the `/pcihw` or `!/pcihw` command option to the `basedev=aic7870.add` (or `aic78u2.add`) driver statement in the `config.sys` file.

Does extended translation need to be enabled on the host adapter to support drives greater than 1GByte?

Under OS/2, if you are using a FAT file system and/or switching back and forth from DOS, extended translation should be enabled. If you are using HPFS (High Performance File System), extended translation may or may not be enabled. Once the driver for the host adapter loads, the remaining hard drive space will be seen beyond 1024KBytes.

Error Messages

The error messages listed below are the messages associated with the `aic7870.add` or `aic78u2.add` driver. Messages are listed sequentially according to the last three digits of the error code. For example, `[xxxxx080]`, `[xxxxx081]`, `[xxxxx082]`, etc.



Note: When reporting problems to Customer Support, be sure to include the complete error code in your problem description.

[xxxxx080] Unable to allocate memory

This indicates that there may be a problem with the amount of memory installed in your system. Verify that your system has at least the minimum amount of memory required by your operating system.

[xxxxx081] Adapter software initialization failure

An error has occurred while the driver was setting up its internal data structures. Verify that your adapter is supported by this version of the driver.

[xxxxx082] Internal driver error

An error has occurred while the driver was setting up its internal data structures. Try installing the most up-to-date version of the driver available from the Adaptec Web site or BBS.

[xxxxx083] Adapter not supported by this version of the driver

Your adapter is not supported by the driver on your system. You may have installed a new adapter and have not updated the driver on your system.

[xxxxx084] Adapter software initialization failure

An error has occurred while the driver was setting up its internal data structures. Try installing the most up-to-date version of the driver available from the Adaptec Web site or BBS.

[xxxxx085] Unable to allocate memory

This indicates that there may be a problem with the amount of memory installed in your system. Verify that your system has at least the minimum amount of memory required by your operating system.

[xxxxx087] Internal driver error

An error has occurred while the driver was setting up its internal data structures. Try installing the most up-to-date version of the driver available from the Adaptec Web site or BBS.

[xxxxx088] Adapter software initialization failure

An error has occurred while the driver was setting up its internal data structures. Try installing the most up-to-date version of the driver available from the Adaptec Web site or BBS.

[xxxxx089] Unable to allocate memory

This indicates that there may be a problem with the amount of memory installed in your system. Verify that your system has at least the minimum amount of memory required by your operating system.

Adaptec 7800 Family Manager

[xxxxx096] Adapter hardware initialization failure - possible resource conflict

The driver has attempted to initialize the adapter hardware but failed. This might suggest that the adapter resources (e.g., IRQ) conflict with the resources of another board installed in your system.

[xxxxx099] Adapter software initialization failure

[xxxxx09a] Adapter software initialization failure

[xxxxx09b] Adapter software initialization failure

An error has occurred initializing one of the driver's internal data structures for a device connected to the adapter. This may result in problems accessing the device. Try installing the most up-to-date version of the driver available from the Adaptec Web site or BBS.

[xxxxx0a7] Unable to allocate memory

This indicates that there may be a problem with the amount of memory installed in your system. Verify that your system has at least the minimum amount of memory required by your operating system.

[xxxxx0a9] Possible interrupt conflict

This indicates that the adapter IRQ conflicts with the IRQ of another board installed in your system. Check your hardware documentation for instructions on setting and changing IRQs.

[xxxxx0c9] Invalid command line parameter

A command line option for the driver is invalid. See *Using Command Line Options* on page 5-8 for valid command line options.

[xxxxx0ca] Invalid command line syntax

[xxxxx0cb] Invalid command line syntax

[xxxxx0cc] Invalid command line syntax

The command line syntax for the driver is incorrect. See *Using Command Line Options* on page 5-8 for entering the correct syntax.

[xxxxx07c] Unable to allocate memory
[xxxxx07d] Unable to allocate memory
[xxxxx07e] Unable to allocate memory
[xxxxx07f] Unable to allocate memory

This indicates that there may be a problem with the amount of memory installed in your system. Verify that your system has at least the minimum amount of memory required by your operating system.



|

|

—

—

—

—

|

|

...6

SCO UNIX Installation

This chapter explains how to install the Adaptec 7800 Family Manager Set Driver *alad* or *alad325* (for Ultra SCSI), and *blad* or *blad325* (Ultra2 SCSI) for SCO UNIX—SCO UNIX 3.2v4.2, SCO OpenDesktop 3.0 (ODT 3.0), SCO OpenServer 3.0, and SCO OpenServer 5.

The *alad* and *blad* drivers (or packages) are used with SCO UNIX 3.2v4.2 based products (SCO UNIX 3.2v4.2, SCO ODT 3.0, or SCO OpenServer 3.0). The *alad325* and *blad325* drivers (or packages) are used with SCO OpenServer 5. The *alad* and *alad325* drivers support Ultra SCSI and earlier Adaptec 7800 host adapters, the *blad* and *blad325* drivers support Ultra2 Adaptec 7800 host adapters. Refer to the Adaptec 7800 Family host adapters on page 1-3.

If you are performing a first time SCO UNIX installation, see *Installing the Driver When Installing SCO UNIX* on page 6-2 to begin driver installation. If SCO UNIX is already installed in your system, see *Installing the Driver When SCO UNIX is Already Installed* on page 6-5.



Note: If you are installing SCO UNIX products with a SCSI tape drive, set the tape drive to SCSI ID 2; if you are installing with a CD-ROM, set the CD-ROM drive to SCSI ID 5 as recommended by SCO.

Installing the Driver When Installing SCO UNIX

To install the *alad/alad325* or *blad/blad325* drivers at the same time you install SCO UNIX, follow the instructions below for the version of SCO UNIX you are installing.

Installing SCO UNIX 3.2 v4.2, SCO ODT 3.0, or SCO OpenServer 3.0

Follow these instructions only if you are installing SCO UNIX 3.2v4.2, SCO ODT 3.0, or SCO OpenServer 3.0 for the first time. The instructions for installing the driver are the same for these SCO products.



Note: Remember that UNIX commands are *case sensitive*. Enter the commands exactly as shown in the instructions.

- 1 Insert the SCO UNIX N1 (Boot) floppy diskette into the primary floppy drive and turn ON the computer.
- 2 When you see these prompts

```
SCO UNIX System V/386
Boot
:
```

type link and press **Enter**.



Note: Do not use the link command to install the driver for SCO OpenServer 5. See *Installing SCO OpenServer 5* on page 6-4.

- 3 Type *alad* or *blad* as the package you want linked to the system and press **Enter**.

- 4 Insert the requested volume (7800 Family Manager Set diskette for SCO UNIX) in the floppy drive and press **Enter**. Prompts similar to the following appear until the driver is completely loaded:

```

alad.alad>Loading module fd(52)/alad/driver/alad/Driver.o
.text .....
:
:
alad: Driver "alad" successfully loaded.
    
```

- 5 When prompted to insert the SCO UNIX N2 (Filesystem) diskette, remove the 7800 Family Manager Set diskette for SCO UNIX from the floppy drive, and then insert the SCO UNIX N2 (Filesystem) diskette and press **Enter**.
- 6 Follow the procedures in your SCO UNIX documentation for completing the installation until you have reached and completed the Password procedure.



Note: *For SCO UNIX 3.2v4.2 only:* When the run-time installation is complete, make sure you select the **Install Additional Software** option. This ensures that the *Link Kit* is installed and available for later driver integration.

- 7 After completing the Password procedure, a message similar to the following appears:

```

The BTLD packages will now be added to the Link Kit.

The following packages are on this disk.
NAME  DESCRIPTION
alad   Adaptec 7800 Family Driver for SCO UNIX 3.2v4.2/dxx
alad325 Adaptec 7800 Family Driver for SCO OpenServer 5/dxx

blad   Adaptec 7800 U2 Family Driver for SCO UNIX 3.2v4.2
blad325 Adaptec 7800 U2 Family Driver for SCO OpenServer 5

Please enter the names of the packages you
wish to install or q to quit:___
[default: alad]
    
```

Adaptec 7800 Family Manager

- 8 Type `alad` or `blad` and press **Enter**. The `alad` driver for your 7800 Family host adapter has been relinked to the SCO UNIX kernel.

Installation is complete!

Installing SCO OpenServer 5

- 1 Insert the SCO OpenServer 5 Boot floppy diskette into the primary floppy drive and turn ON the computer.

- 2 When you see these prompts

```
SCO OpenServer (TM) Release 5
Boot
:
```

type `link` and press **Enter**.

- 3 Type `alad325` or `blad325`, or type `ahslink` for OpenServer 5.00, as the package you want linked to the system and press **Enter**.

- 4 Insert the requested volume (i.e., the 7800 Family Manager Set diskette for SCO UNIX) in the floppy drive and press **Enter**. If your driver is already embedded, several messages appear including a message similar to

```
Table "io_init" contains (at 21) another routine named
"aladinit."
```

```
Please enter
```

```
Which (0-40) to replace ('?' to list),
'a' to add "aladinit" at the end [default]/
'n' to do nothing
or 'q' to quit:
```

- 5 If the above message does not appear, skip to step 6. Otherwise, enter the corresponding number for "aladinit or bladinit." In the above example, the number 21 appears in the Table "io_init" contains (at 21) another routine named "aladinit" message, and is the number that should be entered. If you are unsure of which number to use, enter a "?" to list possible values; use the number that is listed next to "aladinit." In general, enter 21 for OpenServer 5.0.0 and 5.0.2, and enter 25 for 5.0.4.

- 6 If the driver is properly loaded, the following message appears:

```
alad.alad>Loading module fd(52)/alad/driver/alad/Driver.o
.text .....
:
:
alad325: Driver "alad" successfully loaded.
```

- 7 Insert the Boot floppy diskette and press **Enter**.

Follow the procedures in your SCO UNIX documentation for completing the installation.

Installing the Driver When SCO UNIX is Already Installed

To update or install the *alad/alad325* driver if SCO UNIX is already installed, follow the instructions in this section. The procedures are similar for all versions of SCO UNIX. Procedures that are specific to a SCO version are noted when necessary.



Caution: Improper or corrupt driver updates might *destroy* your existing UNIX file system. Back up all important files before proceeding.

Installing or updating the driver involves the following tasks, which must be completed in the order presented:

- *Perform a System Backup*—Backs up the old UNIX kernel and any other important files.
- *Use the Install Package*—Uses `installpkg` to load the driver.
- *Modify the mscsi File*—Changes the primary host adapter to a 7800 Family host adapter, if necessary.
- *Rebuild the UNIX Kernel*—Rebuilds the kernel to reflect the new changes.
- *Boot the New Kernel*—Reboots the computer with the new kernel.



Note: To update/install the driver, you must first enter the Single User Mode (System Maintenance Mode). Refer to the SCO UNIX documentation for instructions on how to use the `init(m)` or `shutdown(m)` command to bring the system to System Maintenance Mode.

Perform a System Backup

If you have not already done so, back up all important files on the computer by following these steps:



Note: To back up the whole system, refer to your SCO UNIX documentation.

- 1 Log in as root.
- 2 *For SCO 3.2v4.2 based UNIX:* To back up the current kernel configuration, type the following and press **Enter**:

```
cp /unix /unix.orig
```

For SCO OpenServer 5: To back up the current kernel configuration, type the following and press **Enter** after each line:

```
umount /stand
mount /dev/boot /stand
cp /stand/unix /stand/unix.orig
```



Note: If you ever need to bootup from the pre-update kernel, load the *unix.orig* backup kernel at the UNIX Boot: prompt. To do this, type `unix.orig` and press **Enter**.

- 3 This step is optional. For extra security, you may back up the *mdevice* file and the *sdevice.d* directory. To perform this backup, type the following and press **Enter**:

```
copy -rom /etc/conf /etc/conf.bak
```

Use the Install Package

To load the driver using `installpkg`, follow these steps:

- 1 At the UNIX system prompt, type `installpkg` and press **Enter**. The screen then displays these messages:

```
Confirm
Please insert the floppy disk
:
:
Strike ENTER when ready
or ESC to stop.
```

- 2 Insert the 7800 Family Manager Set diskette for SCO UNIX and press **Enter**. The screen then displays these messages:

Installation is in progress — do not remove the floppy disk.

The following packages are on this disk:

NAME	DESCRIPTION
alad	Adaptec 7800 Family Driver for SCO UNIX 3.2v4.2/dxx
alad325	Adaptec 7800 Family Driver for SCO OpenServer 5/dxx
blad	Adaptec 7800 U2 Family Driver for SCO UNIX 3.2v4.2/dxx
blad325	Adaptec 7800 U2 Family Driver for SCO OpenServer 5/dxx

Please enter the names of the packages you wish to install, or q to quit:

- 3 At this point, type `alad` or `blad` (or `alad325` or `blad325` for SCO OpenServer 5) and press **Enter**. The screen then displays this message and various installation status prompts:

```
Installing alad
```

When the driver is done loading, the following appears:

```
Installed alad
#
```

The `alad/alad325` driver has now been loaded into the *Link Kit* for kernel addition.

Modify the mscsi File

If necessary, to change your primary host adapter to a 7800 Family host adapter, follow these steps:

- 1 Enter this command:
`cd /etc/conf/cf.d`
- 2 Enter this command to copy the file:
`cp mscsi mscsi.org`
- 3 Use a text editor to edit this file. Enter the following command if using the vi editor:
`vi mscsi`
- 4 Search for all entries with the host adapter number 0 (zero). The host adapter number is the third column in each entry. For example:

Host Adapter Prefix	SCSI Device Type	Host Adapter Number	Target ID	Logical Unit Number	Bus ¹
xx	Stp	0	2	0	0
xx	Sdsk	0	0	0	0
xx	Srom	0	5	0	0

¹ This field applies to SCO OpenServer 5 only.

5 Modify the *mcsfi* file according to your hardware setup:

- If you are booting from a 7800 Family host adapter, make sure the host adapter prefix for the host adapter number 0 is *alad*.
- If you are not booting from a 7800 Family host adapter, make sure the host adapter prefix for the host adapter number 0 is the appropriate prefix for each device on your primary Adaptec host adapter. See the table below:

Host Adapter Prefix	Type of Driver	Primary Adaptec Host Adapter
ad	embedded	AHA-1540/1640 family
eiad	embedded	AHA-1740 family
spad	embedded	AIC-6260 family
arad	BTLD	AIC-7770 family
smad	BTLD	AIC-6260/6360 family
alad	BTLD	AIC-78xx, AIC-7895
blad	BTLD	AIC-789x

6 Save the file and exit the text editor.**Rebuild the UNIX Kernel**

To rebuild the UNIX kernel with the new changes, follow these steps:

- 1** Type the following at the # prompt and press **Enter** after each line:


```
cd /etc/conf/cf.d
./link_unix
```

 Status messages appear.
- 2** When the kernel has been built, shut down the system by typing `haltsys` and pressing **Enter**.
- 3** Turn OFF the system power when you are prompted to do so.

The UNIX kernel has been prepared for 7800 Family host adapter operation.

Boot the New Kernel

To reboot the computer with the new kernel, follow these steps:

- 1 Follow the onscreen instructions to reboot your system, usually by pressing **Enter**.
- 2 Check the host adapter BIOS messages to verify that all your installed SCSI devices are listed.

If some or all of your installed SCSI devices do not appear at this time, your SCSI cables may be loose, or the SCSI device setup may not be complete. If so, go back and correct any problem before proceeding.

- 3 Wait for UNIX to complete bootup with the new kernel.

Refer to *Troubleshooting* on page 6-13 if the system crashes or if panic (UNIX error) messages are displayed during bootup.

The *alad/alad325* driver for your 7800 Family host adapter should now be ready for use.

Using SCO UNIX and the Host Adapter

This section contains useful information on using SCO UNIX and your host adapter.

Using Multiple Host Adapters

If you are adding an additional 7800 Family host adapter to a system with a 7800 Family host adapter already installed, follow the instructions in the SCO UNIX documentation for adding devices using the `mkdev` command. When the system asks for the host adapter prefix, type `alad` or `blad` and press **Enter**.

Changing the Boot Disk

If you are changing the boot device from a non-SCSI hard disk to a SCSI hard disk attached to an Adaptec 7800 Family host adapter, you must reinstall SCO UNIX.

If you are already booting from a SCSI hard disk and wish to boot from a SCSI hard disk attached to an Adaptec 7800 Family host adapter, you may elect to either reinstall SCO UNIX with the new driver (see *Installing the Driver When Installing SCO UNIX* on

page 6-2), or update SCO UNIX with the new driver (see *Installing the Driver When SCO UNIX is Already Installed* on page 6-5).

Using Wide SCSI Host Adapters and Devices

SCO UNIX 3.2v4.2, SCO ODT 3.0, and SCO OpenServer 3.0 support SCSI IDs 0 to 7; SCSI IDs greater than 7 are not recognized. If your 7800 Family host adapter is a Wide SCSI adapter, only 7 SCSI devices (SCSI ID 0 to 6, with the host adapter set at SCSI ID 7) can be attached and supported.

SCO OpenServer 5 supports SCSI IDs 0 to 15. If your 7800 Family host adapter is a Wide SCSI adapter, up to 15 SCSI devices can be attached and supported.

Using Tunable Parameters for the *alad* Driver

For SCO UNIX, some parameters are defined in the following file:

```
/etc/conf/pack.d/alad/space.c
```

These parameters can be tuned for the *alad/alad325* driver. After modifying the *space.c* file, you must rebuild the kernel for the new parameters to take effect. The following section describes how to set the tunable parameters.

Setting Parameters

If the *space.c* file has not been modified, all the parameters are set according to the *SCSISelect* utility for your 7800 Family host adapter. However, you can override the parameters by modifying the *space.c* file. Changing the parameters is self-explanatory in the *space.c* file. Examples are provided in the following sections.

If you want to change the configured values, the first number indicates whether the default should be changed. If it is set to 0 (zero), the parameter is set to the default. If it is set to 1, the second number is used to override the default. For example:

```
char variable = {1,22};
```

The first number is 1 which overrides the default variable with the value 22.

Adaptec 7800 Family Manager

Examples

- `alad_parity[SCSI_NALAD]`—specifies whether the host adapter checks parity on incoming SCSI data. If the second number is set to 0, parity checking is enabled. If it is set to 1, parity checking is disabled.
- `alad_parity[SCSI_NALAD]`—in this example you want the host adapter *not to* check parity on incoming SCSI data; define parameters as

```
alad_parity[SCSI_NALAD] = {1,0};
```

Enabling Scatter/Gather and Tagged Queuing

The *alad/alad325* driver supports scatter/gather and tagged queuing; however, the *Sdsk* (SCSI disk module) driver controls whether these features are enabled or disabled. Look for the *Sdsk* driver controls in the *space.c* file. It is located at

```
/etc/conf/pack.d/Sdsk/space.c
```

Troubleshooting

Problems and Solutions

In SCO OpenServer 5, my system hangs after I have installed the driver and rebooted the system.

If you are installing OpenServer 5, version 5.0.0, you may have to install the SCO OpenServer 5 keyboard patch (available from the SCO Web site or BBS) at the same time you install the *alad325* driver. To install the keyboard patch at the same time you install SCO OpenServer 5 and the *alad325* driver, type the following instead of the *ahslink* command described above:

```
defbootstr ahslink = "kbp alad325"
```

Follow the onscreen instructions to insert the SCO keyboard patch diskette (kbp) and the 7800 Family Manager Set diskette for SCO UNIX when instructed.

I have problems using my SCSI devices.

During bootup, check to see if the BIOS messages for your primary 7800 Family host adapter lists all installed SCSI devices. If some or all devices do not appear, check the following (also check your host adapter's *User's Guide* for additional troubleshooting information):

- Are all SCSI devices powered?
- Are all SCSI bus cables and power cables properly connected?
- Do the host adapter and all devices on the SCSI bus have unique SCSI IDs?
- Are all devices on the SCSI bus terminated properly?
- Do you have an older SCSI peripheral installed? Some older SCSI peripherals, especially CD-ROM drives, do not properly respond to synchronous negotiation. As a result, these peripherals may lock or reset the SCSI bus. To solve this problem, turn off synchronous negotiation for this device ID through the *SCSISelect* utility for the host adapter. See the host adapter's *User's Guide*.

Adaptec 7800 Family Manager

My computer does not recognize my host adapter.

During bootup, check to see if the BIOS message for your primary 7800 Family host adapter appears. If the messages do not appear, the host adapter may not be properly configured; check the following:

- The 7800 Family host adapter supports level-triggered interrupts and can share the same interrupt with another 7800 Family host adapter or PCI hardware that also supports level-triggered interrupts. Check your host adapter's *User's Guide* and your computer documentation for details in configuring IRQs and other parameters in the system CMOS setup.
- The Boot host adapters should be installed into the lowest PCI Device number. The Device number is determined by the slot number on the PCI bus.

To find out the Device number of your 7800 Family host adapter(s), run the *SCSISelect* utility (by pressing a key combination displayed onscreen at bootup). Look on the first screen of *SCSISelect* in the upper right hand corner for Bus:Device xx:xxh (given in hex).

If the Device number is high, power OFF the computer, move the 7800 Family host adapter to a PCI slot at the other end of the motherboard, and rerun *SCSISelect* to see if the number is lower.

The host adapter LED lights during activity. This light helps to determine which adapter *SCSISelect* displays information for. Refer to your system documentation for further details on determining the PCI slot number and slot number order in the system.

I am having problems booting the computer from a SCSI drive.

- Make sure your host adapter is installed and configured correctly, as described in your host adapter's *User's Guide*. Here are some of the things you should check:



Note: If both SCSI and non-SCSI (e.g., IDE) disk drives are installed, then the non-SCSI disk drive is always the boot device.

- Be sure the Drives setting (in your computer's CMOS setup program) that corresponds to the SCSI boot drive is set to **None** or **No Drives Installed**, as is required for SCSI hard disk drives. (See your computer's documentation.)
 - Be sure the Host Adapter BIOS setting in the *SCSISelect* utility is enabled.
 - Be sure the Extended BIOS Translation feature in the *SCSISelect* utility is enabled. The host adapter BIOS automatically selects the correct translation method as needed.
- Examine the SCO UNIX *mcski* file to make sure the correct host adapter and device are specified as the *boot entry*. The boot entry is the first all zero entry in the *mcski* file (see *Modify the mcski File* on page 6-8 for additional information)

For SCO 3.2v4.2 based UNIX, the boot entry looks like this:

```
alad  Sdsk  0  0  0
or
blad  Sdsk  0  0  0
```

For SCO OpenServer 5, the boot entry looks like this:

```
alad  Sdsk  0  0  0  0
or
blad  Sdsk  0  0  0  0
```



Note: Each field is separated by a tab (do not use the spacebar to separate fields).

The meaning of each field is as follows:

Host Adapter Prefix	SCSI Device Type	Host Adapter Number	Target ID	Logical Unit Number	Bus ¹
alad	Sdsk	0	0	0	0
blad	Sdsk	0	0	0	0

¹ This field applies to SCO OpenServer 5 only.

- **Host Adapter Prefix**—Identifies the name of the host adapter driver. If you are booting from a 7800 Family host adapter, the Host Adapter Prefix must be *alad* or *blad*.
- **SCSI Device Type**—Identifies the type of SCSI device. For example, *Sdsk* indicates that the device is a hard disk; *Srom* indicates a CD-ROM drive; and *Stp* indicates a tape drive.
- **Host Adapter Number**—Identifies the SCSI host adapter that the SCSI device is attached to. For example, the first 7800 Family host adapter is 0, the second 7800 Family host adapter is 1.
- **Target ID**—Identifies the SCSI ID of the SCSI device.
- **Logical Unit Number**—Identifies the Logical Unit Number (LUN) of the SCSI device. This field is usually 0.
- **Bus**—Identifies the SCSI bus that the SCSI device is attached to. For most single channel devices such as the AHA-2940/2940W, the bus number is 0.

If you need to edit the *m SCSI* file, use the vi editor. You must build a new kernel in order for any changes to take effect (see *Rebuild the UNIX Kernel* on page 6-9).

- If you are booting from a 7800 Family host adapter and are using ISA/EISA-based host adapters as secondary devices, you must disable the BIOS on all ISA/EISA-based host adapters.

If you are booting from ISA/EISA-based host adapters and are using a 7800 Family host adapter as a secondary device, see your ISA/EISA-based host adapter documentation to ensure the host adapter is at the lowest BIOS base address. ISA/EISA-based host adapters boot before the 7800 Family host adapters.

My computer crashes or displays panic messages during the bootup procedure. You may have to boot from the backup kernel created earlier. To boot from the backup kernel, follow these steps:

- 1 Reboot the system.
- 2 At the Booting UNIX System... prompt, type `unix.orig` and press **Enter**.

Your system should now boot from the backup kernel you created prior to the driver update.

Error Messages

The error messages listed below are the messages associated with the `alad/alad325` or `blad/blad325` drivers. Messages are listed sequentially according to the last three digits of the error code. For example, `[xxxxx020]`, `[xxxxx021]`, `[xxxxx022]`, etc.



Note: When reporting problems to Customer Support, be sure to include the complete error code in your problem description.

`[xxxxx020]` Adapter or target device not responding or not connected

The target device did not respond to the adapter. If the device is present, refer to your host adapter's user's guide for troubleshooting information. If the device is no longer connected to the system, ignore this error.

`[xxxxx022]` Adapter or target device protocol error

The adapter or target device has broken the communication protocol. A badly behaving device could be causing this message to appear. Normally this is not a serious problem. If you get this message frequently over a short period of time, it could indicate that the device or system is malfunctioning. Unplug or power down unused devices to see if the problem persists.

`[xxxxx030]` Target device busy

`[xxxxx032]` Target device busy

The target device reports a busy status. Another program might already be using this device.

Adaptec 7800 Family Manager

[xxxxx09D] Unexpected interrupt

The Adaptec driver received an interrupt from the system that does not correspond to any adapter supported by the driver. This could be caused by another host adapter from a different vendor, such as a video card or a network card. The problem can also be caused by malfunctioning hardware.

[xxxxx0a3] Adapter diagnostic failure - possible resource conflict

The driver failed the internal software or hardware diagnostic. Refer to your host adapter's user's guide for troubleshooting information.

[xxxxx0ca] Cannot initialize device

The system, host adapter, or target device is busy or is not responding. The target device could not be initialized.

[xxxxx0cb] Unable to allocate memory. Decrease `alad_instr_buffersz` in `space.c`

The driver has requested a larger buffer size than the available RAM. Either increase the amount of RAM in the system, or decrease the user option `alad_instr_buffersz` in the `/etc/conf/pack.d/alad/space.c` file.

[xxxxx0cc] CONFLICT: Disconnection must be enabled in order for tag-queueing to work

Use the `SCSISelect` utility of your host adapter to enable Disconnection for each device reporting this message. Alternatively, disable tagged queuing in `/etc/conf/pack.d/alad/space.c` file by setting `alad_do_tagged = 0`. If tagged queuing is disabled, performance may be negatively affected.





SCO UnixWare Installation

This chapter explains how to install the Adaptec 7800 Family Managers Set Driver *adsl20* or *adsl* (UltraSCSI) and *adsb20* or *adsb* (Ultra2 SCSI) for SCO UnixWare—SCO UnixWare 2.0x and SCO UnixWare 2.1.

adsl20 and *adsb20* drivers (or packages) are used with SCO UnixWare 2.0x. The *adsl* and *adsb* drivers (or packages) are used with SCO UnixWare 2.1. The *adsl* and *adsl20* support Ultra SCSI and earlier Adaptec 7800 host adapters. The *adsb* and *adsb20* drivers support Ultra2 Adaptec 7800 host adapters. Refer to the Adaptec 7800 Family host adapters on page 1-3.

If you are performing a first time SCO UnixWare installation, see *Installing the Driver When Installing SCO UnixWare* on page 7-2 to begin driver installation. If SCO UnixWare is already installed in your system, see *Installing the Driver When SCO UnixWare is Already Installed* on page 7-3.

Installing the Driver When Installing SCO UnixWare

To install the *adsl20/adsl* or *adsb20/adsb* drivers at the same time you install SCO UnixWare, follow the instructions below. The procedures are the same for SCO UnixWare 2.0x and 2.1.

- 1 Insert the Install diskette of the SCO UnixWare package into the floppy boot drive. Reboot your computer.

Wait for the first SCO UnixWare installation screen and prompt to appear, then follow the onscreen instructions.
- 2 When prompted to either Install Host Bus Adapter Drivers or Continue Installation, first remove the Install diskette, then select **Install Host Bus Adapter Driver** and press **Enter**.
- 3 Insert the 7800 Family Manager Set diskette for UnixWare 2.x into the primary floppy drive and press **Enter** (you cannot load drivers from a secondary floppy drive).

As the driver loads, a message identifying the installed host adapter briefly appears on screen. The installation process determines which device drivers on the diskettes are needed.
- 4 If you have additional HBA diskettes, insert the next HBA diskette, select **Install Another HBA Diskette**, and press **Enter**.

If all of your HBA diskettes have been installed, remove the last HBA diskette, select **Continue Installation**, and press **Enter**.
- 5 If necessary, enter the DCU (Device Configuration Utility) to view/change the SCO UnixWare device driver configuration data.
- 6 Follow the onscreen instructions to continue with installation. Refer to the SCO UnixWare documentation and onscreen help files for help in choosing options.



Note: If your installation fails, *do not* attempt to use the update installation pkgadd procedure to fix the installation. Follow the instructions in the SCO UnixWare documentation and in this document to retry the installation.

Installing the Driver When SCO UnixWare is Already Installed

To update or install the *adsl20/adsl* or *adsb20/adsb* drivers on a system where SCO UnixWare is already installed, follow the instructions in this section. The procedures are similar for SCO UnixWare 2.0x and 2.1. Procedures that are specific to a SCO UnixWare version are noted when necessary.



Caution: Improper or corrupt driver updates might *destroy* your existing SCO UnixWare file system. Back up all important files before proceeding. Consult your SCO UnixWare documentation for proper backup procedures.

Installing or updating the driver involves the following tasks, which must be completed in the order presented:

- *Back Up the Computer*—Backs up the old SCO UnixWare kernel and any other important files.
- *Load the Package*—Uses pkgadd to load the 7800 Family driver package.
- *Modify the New System File*—For computers booting from a device connected to a 7800 Family host adapter, modifies the new driver that was loaded in the previous procedure. Loading the driver causes the driver to become a permanent part of the new boot kernel on rebuild.
- *Rebuild the SCO UnixWare Kernel*—Rebuilds the kernel with the new driver.
- *Boot the New Kernel*—Reboots the computer with the new kernel.



Note: Remember that SCO UnixWare commands are *case sensitive*. Enter the commands exactly as shown.

Back Up the Computer

If you have not already done so, back up all important files on the computer. See your SCO UnixWare documentation for proper SCO UnixWare file system backup procedures.

- 1 Log in as root at the UnixWare # system prompt.
- 2 To back up the old SCO UnixWare kernel, type the following and press **Enter**:

```
cp /stand/unix /stand/unix.work
```

- 3 To back up the old configuration file, type the following and press **Enter**:

For SCO UnixWare 2.0x:

```
cp /etc/conf/sdevice.d/adsl20 /save/adsl20
```

or

```
cp /etc/conf/sdevice.d/adsb20 /save/adsb20
```

For SCO UnixWare 2.1:

```
cp /etc/conf/sdevice.d/adsl /save/adsl
```

or

```
cp /etc/conf/sdevice.d/adsb /save/adsb
```

Load the Package

To load the driver, follow these steps:

- 1 At the system prompt, type the following and press **Enter**:

```
pkgadd -d diskette1
```

Follow the instructions onscreen to insert the IHV HBA diskette (or 7800 Family Manager Set diskette for UnixWare 2.x) into the floppy boot drive.

- 2 Select the *adsl20/adsl* or *adsb20/adsb* package from the onscreen menu and press **Enter**. The package is loaded into your SCO UnixWare operating system.

- 3 When the package has loaded, you may be prompted to install the diskette again.

Do not reinsert the IHV HBA diskette (or Adaptec 7800 Family Manager Set diskette for UnixWare 2.x). Instead, type q (quit) and press **Enter**.

- 4 Type mail and press **Enter**. The mail messages tell you if the installation was successful.

If a mail message informs you that the installation has failed, turn to *Troubleshooting* on page 7-11.

- 5 Type pkginfo and press **Enter**.

- 6 Verify that the *adsl20/adsl* or *adsb20/adsb* driver is now listed. The *adsl20/adsl* or *adsb20/adsb* driver appears among the other installed packages.

If the *adsl20/adsl* or *adsb20/adsb* driver does not appear in the pkginfo listing, turn to *Troubleshooting* on page 7-11.

The listing should be similar to

```
system  adsl  Adaptec AIC-7870 PCI SCSI IHV HBA
```

or

```
system  adsb  Adaptec AIC-7870 PCI SCSI IHV HBA
```

Modify the New System File

- 1** Display the contents of the *adsl20/adsl* file or *adsb20/adsb* by typing the following and pressing **Enter**:

For SCO UnixWare 2.0x:

```
cat adsl20  
or  
cat adsb20
```

For SCO UnixWare 2.1:

```
cat adsl  
or  
cat adsl
```

- 2** If your computer *is to boot* from a device connected to a 7800 Family host adapter, verify that the line `$static` is present immediately below the line `$version 2`.
- 3** If your computer *is not to boot* from the host adapter SCSI bus, and you wish to leave the driver as a loadable module, edit and verify that the line `$static` is not present directly below the line `$version 2`.

Rebuild the SCO UnixWare Kernel

To rebuild the UnixWare kernel with the new changes, follow these steps:

- 1 Type the following at the # prompt and press **Enter** after each line:

```
cd /etc/conf/bin
./idbuild -B
```

Status messages appear.

- 2 When the kernel has been built, type the following and press **Enter** after each line (0 in -g0 is zero, not the letter O):

```
cd /etc/conf/cf.d
cp unix /stand/unix
cd /
shutdown -g0
```

- 3 Type y and press **Enter** when the computer asks if you really want to shut down. System Is Down should appear on the screen.

The SCO UnixWare kernel is now ready for host adapter operation.

Boot the New Kernel

To reboot the computer with the new kernel, follow these steps:

- 1 Follow the onscreen instructions (usually by pressing **Enter**) to reboot your computer.
- 2 Check the bootup messages to verify that all your installed SCSI devices are listed.

If some or all of your installed SCSI devices do not appear at this time, your SCSI cables may be loose, or the SCSI device setup may not be complete. If so, go back and correct any problems before proceeding.

- 3 Wait for SCO UnixWare to complete bootup with the new kernel.

Refer to *Troubleshooting* on page 7-11 if the computer crashes or if panic (SCO UnixWare error) messages appear during bootup.

The updated driver for SCO UnixWare should now be ready to use.

Using SCO UnixWare and the Host Adapter

This section contains useful information on using SCO UnixWare and your host adapter.

Using Tunable Parameters

For SCO UnixWare, some parameters are defined in the following files:

```
/etc/conf/pack.d/adsl/space.c
```

These parameters can be tuned for the *adsl20/adsl* or *adslb20/adslb* drivers. Please refer to the comments in the appropriate *space.c* file for a description of these parameters. After modifying the *space.c* file, you must rebuild the kernel then reboot the system for the new parameters to take effect. To rebuild the kernel, type the following, and press **Enter** after each line:

```
/etc/conf/bin/idbuild -B  
cp /etc/conf/cf.d/unix /stand/unix
```



Note: The drivers support tagged queuing and reinitialization.

Using Multiple Host Adapters

When using multiple host adapters, consider the following:

- The host adapter and computer must be configured for multiple host adapters as explained in the host adapter's *User's Guide*.
- To boot from the 7800 Family host adapter, make sure the host adapter is installed in the lowest PCI slot number. See your host adapter's *User's Guide*.
- SCO UnixWare 2.x supports auto-configuration. When adding multiple host adapters to an existing SCO UnixWare 2.x system, simply install the board and reboot; the system automatically reconfigures and rebuilds the kernel. If you want to choose a host adapter to boot from, simply disable the BIOS on all other host adapters.

Removing the Driver

If you no longer need the *adsl20/adsl* or *adsb20/adsb* driver, you can use the following procedure to remove it completely:

- 1 Back up all important computer files.
- 2 At the UnixWare root prompt, type the following:

For SCO UnixWare 2.0x:

```
/etc/conf/bin/idinstall -d adsl20  
or  
/etc/conf/bin/idinstall -d adsb20
```

The following files will be deleted:

```
/etc/conf/mdevice.d/adsl20  
/etc/conf/pack.d/adsl20/Driver.o  
/etc/conf/pack.d/adsl20/space.c  
/etc/conf/pack.d/adsl20/disk.cfg  
/etc/conf/sdevice.d/adsl20  
or  
/etc/conf/mdevice.d/adsb20  
/etc/conf/pack.d/adsb20/Driver.o  
/etc/conf/pack.d/adsb20/space.c  
/etc/conf/pack.d/adsb20/disk.cfg  
/etc/conf/sdevice.d/adsb20
```

For SCO UnixWare 2.1:

```
/etc/conf/bin/idinstall -d adsl  
or  
/etc/conf/bin/idinstall -d adsb
```

Adaptec 7800 Family Manager

The following files will be deleted:

```
/etc/conf/mdevice.d/adsl  
/etc/conf/pack.d/adsl/Driver.o  
/etc/conf/pack.d/adsl/space.c  
/etc/conf/pack.d/adsl/disk.cfg  
/etc/conf/sdevice.d/adsl
```

or

```
/etc/conf/mdevice.d/adsb  
/etc/conf/pack.d/adsb/Driver.o  
/etc/conf/pack.d/adsb/space.c  
/etc/conf/pack.d/adsb/disk.cfg  
/etc/conf/sdevice.d/adsb
```

- 3** Then, rebuild the kernel (0 in -g0 is zero, not the letter O):

```
/etc/conf/bin/idbuild -B -K  
cp /etc/conf/cf.d/unix /unix  
cd /  
shutdown -g0
```

- 4** Reconfigure your computer for your alternate or replacement drive controller, and reboot the computer.

Troubleshooting

Problems and Solutions

My computer crashes or displays panic messages during the bootup procedure!
You may have to boot from the backup kernel created earlier, and then perform the driver update procedure again.

To boot from the old kernel, follow these steps:

- 1 Reboot the computer.
- 2 At the Booting UNIX System... prompt or loading UnixWare graphics, press the **Spacebar**.
- 3 From the [boot]# prompt, first type KERNEL=old kernel (e.g., KERNEL=unix.work) and press **Enter**. Then, type go and press **Enter**. Your computer should now boot from the backup kernel created earlier in *Installing the Driver When SCO UnixWare is Already Installed* on page 7-3.

To repeat the driver update procedure, follow these steps:

- 1 Follow the instructions in *Removing the Driver* on page 7-9 to delete the driver from your computer.
- 2 Perform the driver update procedure again. See *Installing the Driver When SCO UnixWare is Already Installed* on page 7-3.

Error Messages

The error messages listed below are the messages associated with the drivers. Messages are listed sequentially according to the last three digits of the error code. For example, [xxxxx020], [xxxxx021], [xxxxx022], etc.



Note: When reporting problems to Customer Support, be sure to include the complete error code in your problem description.

Adaptec 7800 Family Manager

[xxxxx003] Command completed with error
[xxxxx004] Command completed with error
[xxxxx005] Command completed with error
[xxxxx006] Command completed with error
[xxxxx007] Command completed with error
[xxxxx008] Command completed with error
[xxxxx009] Command completed with error

A request issued to a target device completed with an indication that there is an error. In most cases, the error is recovered and normal operation continues.

[xxxxx010] Error issuing command

An error has occurred while the driver was setting up its internal data structures. Try installing the most up-to-date version of the driver available from the Adaptec Web site or BBS.

[xxxxx011] Error issuing command

The requested command is not supported by this driver.

[xxxxx012] Error issuing command

The driver does not recognize the target device.

[xxxxx013] Error issuing command

[xxxxx014] Error issuing command

An error has occurred while the driver was setting up its internal data structures. Try installing the most up-to-date version of the driver available from the Adaptec Web site or BBS.

[xxxxx015] Error issuing command

An error has occurred with the driver. Try installing the most up-to-date version of the driver available from the Adaptec Web site or BBS.

[xxxxx020] Adapter or target device not responding or not connected

The target device did not respond to the adapter. If the device is present, refer to your host adapter's user's guide for troubleshooting information. If the device is no longer connected to the system, ignore this error.

[xxxxx021] Target device protocol error

An unexpected event occurred during data transfer between the adapter and target device. Normally, this indicates a faulty or non-compliant target device.

[xxxxx022] Adapter or target device protocol error

The adapter or target device has broken the communication protocol. A badly behaving device could be cause this message to appear. Normally this is not a serious problem. If you get this message frequently over a short period of time, it could indicate that the device or system is malfunctioning. Unplug or power down unused devices to see if the problem persists.

[xxxxx023] Target device parity error

The driver has detected a parity error by the target device. Try decreasing the transfer rate or disable the Ultra SCSI speed in *SCSISelect*. Also, make sure you are using good-quality SCSI cables.

[xxxxx024] Data overrun or underrun

The adapter was given more or less data than was expected.

[xxxxx030] Target Device busy

The target device reports a busy status. Another program might already be using this device.

[xxxxx031] Target device queue full

The target device internal buffer is full.

[xxxxx032] Target device busy

The target device reports a busy status. Another program may already be using this device.

[xxxxx041] Command aborted

[xxxxx042] Command aborted

[xxxxx043] Command aborted

[xxxxx044] Command aborted

[xxxxx045] Command aborted

An internal condition caused the driver to abort the command. In most cases, the command is retried and is recovered, and normal operation continues.

Adaptec 7800 Family Manager

[xxxxx046] Target device did not respond to abort sequence

The target device did not abort the command requested by the driver. Some devices do not support the abort command properly. Normally, this indicates a faulty or noncompliant target device.

[xxxxx047] Command aborted

An internal condition caused the driver to abort the command. In most cases, the command is retried and is recovered, and normal operation continues.

[xxxxx048] Unable to abort command

An error occurred while aborting a command. Possibly, the command has already completed and there is nothing to abort.

[xxxxx049] Command abort in progress

This indicates an abort command has been issued. This is a normal operating condition.

[xxxxx051] Target device did not respond to reset sequence

The target device did not reset correctly as requested by the driver. Normally, this indicates a faulty or non-compliant target device.

[xxxxx081] Adapter Initialization Failure

An error has occurred while the driver was setting up its internal data structures. Verify that your adapter is supported by this version of the driver.

[xxxxx083] Adapter not supported by this version of the driver

Your adapter is not supported by the driver on your system. You may have installed a new adapter and have not updated the driver on your system.

[xxxxx096] Adapter hardware initialization failure - possible resource conflict

The driver has attempted to initialize the adapter hardware but failed. This might suggest that the adapter resources (e.g., IRQ) conflict with another board installed in your system.

[xxxxx097] Unable to allocate memory

This indicates that there may be a problem with the amount of memory installed in your system. Verify that your system has at least the minimum amount of memory required by your operating system.

[xxxxx098] Exceeded maximum number of host bus adapters

The driver has detected more host bus adapters than is supported by this version of the driver or operating system.

[xxxxx0a4] SCSI bus reset by third party

Hardware such as an array enclosure may have reset the SCSI bus. This is a normal condition unless you receive additional errors.

[xxxxx0a5] SCSI bus reset by host adapter

The host adapter may have reset the SCSI bus. This is a normal condition unless you receive additional errors.

[xxxxx0cf] System configuration error

The driver encountered an error with your hardware. Refer to your host adapter's user's guide for troubleshooting information.

[xxxxx0d0] Command timeout

The target device is either busy, not ready, malfunctioning, or is not present. Refer to your host adapter's user's guide for troubleshooting information.

[xxxxx0d7] Target device scan failed

The driver encountered an error scanning the target device. Refer to your host adapter's user's guide for troubleshooting information.



|

—

|

—

—

|

|

—

▼▼▼▼ Index

A

Adapter ID 5-9
ahslink command 6-4

B

Backing up the computer 7-4
Backup 4-15
Bit mask options 4-7, 4-10, 4-12
Booting
 from SCO UNIX 6-15
 from UnixWare 7-6
Bus 6-14

C

CD-ROM 3-7, 4-16
Command line options 4-4, 4-5, 4-6,
 4-7, 5-8
Command syntax 6-2, 7-4
config.sys file 5-3, 5-8
Configuration information 4-10,
 4-11

D

DASD 5-9, 5-11
DCU 7-2
Desktop 5-3
Device configuration utility 7-2
Device manager 3-5
Device number 5-9, 6-14
Direct Access Storage Device
 see DASD

E

Embedded targets 5-8
Error messages
 NetWare 4-18
 OS/2 5-12
 SCO UNIX 6-17
 UnixWare 7-11
 Windows NT 2-16
Extended translation 5-12

H

Hard disks 4-8
Hardware registers 5-9
Host adapters
 7800 Family 1-3

I

Installation
 OS/2 driver 5-1-5-7
 SCO UNIX driver 6-1-6-10
 UnixWare driver 7-2-7-7
 Windows 95 driver 3-2-3-3
 Windows NT driver 2-2-2-7
Interrupts 5-12, 6-14
IRQ 5-12, 6-14

K

Kernel
 SCO UNIX 6-5, 6-7, 6-9, 6-17
 UnixWare 7-3, 7-7
Keyboard patch 6-13

Adaptec 7800 Family Manager

L

Load command 4-4, 4-5, 4-12
Lock status 4-14
Logical unit number
 see LUN
LUN 2-8, 4-8, 4-11, 5-8

M

max_tags 4-17
Miniport driver 3-5
Mount status 4-14
Multiple host adapters 7-8

N

NetWare
 adaptec.nlm 4-15
 aic7870.dsk 1-2, 4-1, 4-3, 4-4, 4-5,
 4-12, 4-18
 aic78u2.dsk 4-1, 4-3, 4-4, 4-5,
 4-12, 4-18
 aic78u2.ham 1-2
 backup 4-15
 bit mask options 4-7, 4-10
 CD-ROM support 4-7, 4-16
 command line options 4-4, 4-5,
 4-6, 4-7
 error messages 4-18
 installing the driver 4-2-4-4
 load command 4-4, 4-5, 4-12
 max_tags 4-17
 monitor.nlm 4-13
 optimizing performance 4-17
 removable media 4-13
 server bootup 4-5
 startup.ncf 4-4
 tag queuing 4-7, 4-10
 troubleshooting 4-18
 tsa.nlm 4-15
 using a CD-ROM 4-16

O

Optimizing performance 4-17
OS/2
 adapter ID 5-9
 aic7870.add 1-2, 5-1, 5-3, 5-4, 5-6,
 5-12
 aic78u2.add 1-2, 5-1, 5-3, 5-4, 5-6,
 5-12
 basedev 5-3, 5-11, 5-12
 command line options 5-8
 command syntax 5-8
 DASD 5-9
 ddinstal 5-7
 desktop 5-3
 driver default settings 5-8
 driver installation 5-1-5-7
 error messages 5-12
 ibmint13.i13 5-3
 os2ldr 5-2
 parameters 5-8, 5-9
 PCI configuration 5-9
 troubleshooting 5-12-5-14

P

Parameters 5-8
 OS/2 5-8
 SCO UNIX 6-11
 UnixWare 7-8
 Windows NT 2-8, 2-10
PCI configuration 5-9
PCI configuration hardware
 registers 5-9
pkgadd 7-3, 7-4
pkginfo 7-5

R

Registry editor 2-8
Removable media 4-9, 4-13, 5-11
Requirements 1-5

S

Scatter/gather 4-8, 6-12
 SCO UNIX 6-4
 alad 1-2, 6-1, 6-2, 6-3, 6-4, 6-5, 6-7, 6-12
 alad325 1-2, 6-1, 6-3, 6-7
 blad 1-2, 6-1, 6-2, 6-3, 6-4, 6-5, 6-7, 6-12
 blad325 1-2, 6-1, 6-3, 6-7
 changing the boot disk 6-10
 command syntax 6-2
 driver installation 6-1-6-10
 error messages 6-17
 filesystem diskette 6-3
 installing with a CD-ROM 6-1
 installpkg(adm) 6-5
 kernel 6-5, 6-7, 6-9, 6-17
 keyboard patch 6-13
 link 6-2
 mscsi file 6-8, 6-15
 multiple host adapters 6-10
 parameters 6-11
 password 6-3
 requested volume 6-3, 6-4
 Sdisk 6-12
 shutdown 6-9
 space.c 6-11
 troubleshooting 6-13-6-18
 tunable parameters 6-11-6-12
 using Wide SCSI adapters and devices 6-11
 SCSI ID 6-11
 SCSI manager support 5-10
 SCSISelect 5-9, 6-14
 startup.ncf 4-4
 System requirements 1-5

T

Tagged commands 4-8, 4-11, 5-10
 Tagged queuing 2-8, 4-8, 4-11, 6-12
 Troubleshooting

NetWare 4-18-4-19
 OS/2 5-12-5-14
 SCO UNIX 6-13-6-18
 UnixWare 7-11-7-15
 Windows 95 3-5-3-8
 Windows NT 2-16-2-19

Tunable parameters 7-8

U

Underruns 5-10
 Unit parameters 5-9
 UnixWare
 adsb 1-2, 7-1, 7-3
 adsb20 1-2, 7-1
 adsl 1-2, 7-1, 7-3
 adsl20 1-2, 7-1
 backing up 7-4
 booting 7-6
 command syntax 7-4
 DCU 7-2
 Device configuration utility 7-2
 driver installation 7-2-7-7
 error messages 7-11
 kernel 7-3, 7-7
 multiple host adapters 7-8
 pkgadd 7-3, 7-4
 pkginfo 7-5
 removing the driver 7-9
 troubleshooting 7-11-7-15
 tunable parameters 7-8

V

Verbose mode 5-8
 Verify 4-9, 4-14

W

Wide SCSI 6-11
 Windows 95
 aic78u2.mpd 1-2, 3-1, 3-2
 aic78xx.mpd 1-2, 3-1, 3-2

Adaptec 7800 Family Manager

- device manager 3-5
- driver installation 3-2-3-3
- miniport driver 3-5
- troubleshooting 3-5-3-8

Windows NT

- advanced configurable parameters 2-8
- aic78u2.sys 1-2, 2-1, 2-2
- aic78xx.sys 1-2, 2-1, 2-2
- driver installation 2-2-2-7
- error codes 2-16
- parameters 2-8, 2-10
- problems and solutions 2-16
- registry editor 2-8
- removing a host adapter 2-12
- removing the driver 2-12
- swapping a host adapter 2-15
- troubleshooting 2-16-2-19

