

P4T533

User Manual

ASUS[®]

Motherboard

P4T533
E1030
May 2002

Copyright © 2002 ASUSTeK COMPUTER INC. All Rights Reserved.

No part of this manual, including the products and software described in it, may be reproduced, transmitted, transcribed, stored in a retrieval system, or translated into any language in any form or by any means, except documentation kept by the purchaser for backup purposes, without the express written permission of ASUSTeK COMPUTER INC. ("ASUS").

Product warranty or service will not be extended if: (1) the product is repaired, modified or altered, unless such repair, modification or alteration is authorized in writing by ASUS; or (2) the serial number of the product is defaced or missing.

Products and corporate names appearing in this manual may or may not be registered trademarks or copyrights of their respective companies, and are used only for identification or explanation and to the owners' benefit, without intent to infringe.

The product name and revision number are both printed on the product itself. Manual revisions are released for each product design represented by the digit before and after the period of the manual revision number. Manual updates are represented by the third digit in the manual revision number.

For previous or updated manuals, BIOS, drivers, or product release information, contact ASUS at: <http://www.asus.com> or through any of the means indicated on the following page.

ASUS PROVIDES THIS MANUAL "AS IS" WITHOUT WARRANTY OF ANY KIND, EITHER EXPRESS OR IMPLIED, INCLUDING BUT NOT LIMITED TO THE IMPLIED WARRANTIES OR CONDITIONS OF MERCHANTABILITY OR FITNESS FOR A PARTICULAR PURPOSE. IN NO EVENT SHALL ASUS, ITS DIRECTORS, OFFICERS, EMPLOYEES OR AGENTS BE LIABLE FOR ANY INDIRECT, SPECIAL, INCIDENTAL, OR CONSEQUENTIAL DAMAGES (INCLUDING DAMAGES FOR LOSS OF PROFITS, LOSS OF BUSINESS, LOSS OF USE OR DATA, INTERRUPTION OF BUSINESS AND THE LIKE), EVEN IF ASUS HAS BEEN ADVISED OF THE POSSIBILITY OF SUCH DAMAGES ARISING FROM ANY DEFECT OR ERROR IN THIS MANUAL OR PRODUCT.

SPECIFICATIONS AND INFORMATION CONTAINED IN THIS MANUAL ARE FURNISHED FOR INFORMATIONAL USE ONLY, AND ARE SUBJECT TO CHANGE AT ANY TIME WITHOUT NOTICE, AND SHOULD NOT BE CONSTRUED AS A COMMITMENT BY ASUS. ASUS ASSUMES NO RESPONSIBILITY OR LIABILITY FOR ANY ERRORS OR INACCURACIES THAT MAY APPEAR IN THIS MANUAL, INCLUDING THE PRODUCTS AND SOFTWARE DESCRIBED IN IT.

About this guide

This user manual contains complete information for installing the ASUS P4T533 motherboard.

How this guide is organized

- **Chapter 1: Product introduction.** A summary of product features and special attributes of new technologies.
- **Chapter 2: Hardware information.** A list of hardware setup procedures and descriptions of all jumpers and connectors on the motherboard.
- **Chapter 3: Powering up.** Describes the power up sequence with information on BIOS beep codes.
- **Chapter 4: BIOS setup.** How to change system settings using onboard BIOS firmware. Detailed descriptions of the BIOS parameters are supplied.
- **Chapter 5: Software support.** A summary of contents on the motherboard support CD ROM.
- **Appendix and Glossary.** Optional components and technical definitions.
- **Index**

Conventions used in this guide

To make sure that you perform set-up tasks properly, take note of the following symbols used throughout this manual.



WARNING! Information to prevent injury to yourself.



CAUTION! Information to prevent damage to the components.



IMPORTANT! Information that you **MUST** follow to complete a task.



NOTE! Tips and helpful information.

Contents

About this guide	iii
How this guide is organized	iii
Conventions used in this guide	iii
Safety information	vi
FCC/CDC statements	vii
ASUS contact information	viii
P4T533 specifications summary	ix
Chapter 1: Product introduction	1
Welcome!	1
1.1 Package contents	1
1.2 Core Specifications	2
1.3 Special Features	3
1.4 Motherboard Components	4
1.4.1 Component Locations	5
Chapter 2: Hardware information	7
2.1 Motherboard installation	7
2.1.1 Placement direction	7
2.1.2 Screw holes	7
2.2 Motherboard layout	8
2.2.1 Layout contents	9
2.3 Before you proceed	10
2.4 Central Processing Unit (CPU)	11
2.4.1 Overview	11
2.4.2 Installing the CPU	12
2.4.3 Installing the heatsink and fan	13
2.4.4 Connecting the CPU fan cable	15
2.5 System memory	16
2.5.1 Overview	16
2.5.2 Installing Memory	17
2.5.3 Removing Memory:	18
2.5.4 General RIMM Memos:	18
2.6 Expansion slots	19
2.6.1 Installing an expansion card	19
2.6.2 Configuring an expansion card	20
2.6.3 PCI slots	21
2.6.4 AGP slot	21
2.7 Jumpers	22
2.8 Connectors	31

Contents

Chapter 3: Powering up	47
3.1 Starting up for the first time	47
3.2 Vocal POST Messages	48
3.3 Powering off the computer	50
Chapter 4: BIOS setup	51
4.1 Managing and updating your BIOS	51
4.1.1 Using ASUS EZ Flash to update the BIOS	51
4.1.2 Using AFLASH from a Floppy Disk	53
4.1.3 Updating BIOS procedures	54
4.2 BIOS Setup program	56
4.3 Main menu	59
4.4 Advanced Menu	66
4.5 Power Menu	74
4.6 Boot Menu	79
4.7 Exit Menu	81
Chapter 5: Software support	83
5.1 Install an operating system	83
5.2 Support CD information	83
5.3 P4T533 Motherboard Support CD	84
5.4 ASUS PC Probe	86
5.5 ASUS Live Update	91
5.6 3Deep Color Tuner	92
5.7 Winbond Voice Editor	94
5.8 ASUS MyLogo2™	98
5.9 Multi-Channel Audio Feature Setup	100
5.10 Using the Promise™ Chip for RAID 0 or 1	102
5.11 Manual Installation of IDE/RAID Drivers	109
Index	111

Safety information

Electrical safety

- To prevent electrical shock hazard, disconnect the power cable from the electrical outlet before relocating the system.
- When adding or removing devices to or from the system, ensure that the power cables for the devices are unplugged before the signal cables are connected. Disconnect all power cables from the existing system before you add a device.
- Before connecting or removing signal cables from the motherboard, ensure that all power cables are unplugged.
- Seek professional assistance before using an adapter or extension cord. These devices could interrupt the grounding circuit.
- Make sure that your power supply is set to the voltage available in your area.
- If the power supply is broken, contact a qualified service technician or your retailer.

Operational safety

- Before installing the motherboard and adding new devices, carefully read all the manuals that came with the package.
- Before use ensure all cables are correctly connected and the power cables are not damaged. If you detect any damage, contact the dealer immediately.
- To avoid short circuits, keep paper clips, screws, and staples away from connectors, slots, sockets and circuitry.
- Avoid dust, humidity, and temperature extremes. Do not place the product in any area where it may become wet.
- Mount the motherboard inside a standard PC enclosure.
- If you encounter technical problems with the product, contact a qualified service technician or the dealer.

FCC/CDC statements

Federal Communications Commission Statement

This device complies with FCC Rules Part 15. Operation is subject to the following two conditions:

- This device may not cause harmful interference, and
- This device must accept any interference received including interference that may cause undesired operation.

This equipment has been tested and found to comply with the limits for a Class B digital device, pursuant to Part 15 of the FCC Rules. These limits are designed to provide reasonable protection against harmful interference in a residential installation. This equipment generates, uses and can radiate radio frequency energy and, if not installed and used in accordance with manufacturer's instructions, may cause harmful interference to radio communications. However, there is no guarantee that interference will not occur in a particular installation. If this equipment does cause harmful interference to radio or television reception, which can be determined by turning the equipment off and on, the user is encouraged to try to correct the interference by one or more of the following measures:

- Reorient or relocate the receiving antenna.
- Increase the separation between the equipment and receiver.
- Connect the equipment to an outlet on a circuit different from that to which the receiver is connected.
- Consult the dealer or an experienced radio/TV technician for help.



The use of shielded cables for connection of the monitor to the graphics card is required to assure compliance with FCC regulations. Changes or modifications to this unit not expressly approved by the party responsible for compliance could void the user's authority to operate this equipment.

Canadian Department of Communications Statement

This digital apparatus does not exceed the Class B limits for radio noise emissions from digital apparatus set out in the Radio Interference Regulations of the Canadian Department of Communications.

This class B digital apparatus complies with Canadian ICES-003.

ASUS contact information

ASUSTeK COMPUTER INC. (Asia-Pacific)

Address: 150 Li-Te Road, Peitou, Taipei, Taiwan 112

General Tel: +886-2-2894-3447

General Fax: +886-2-2894-3449

General Email: info@asus.com.tw

Technical Support

MB/Others (Tel): +886-2-2890-7121 (English)

Notebook (Tel): +886-2-2890-7122 (English)

Desktop/Server (Tel): +886-2-2890-7123 (English)

Support Fax: +886-2-2890-7698

Support Email: tsd@asus.com.tw

Web Site: www.asus.com.tw

Newsgroup: cscnews.asus.com.tw

ASUS COMPUTER INTERNATIONAL (America)

Address: 6737 Mowry Avenue, Mowry Business Center,
Building 2, Newark, CA 94560, USA

General Fax: +1-510-608-4555

General Email: tmd1@asus.com

Technical Support

Support Fax: +1-510-608-4555

General Support: +1-502-995-0883

Notebook Support: +1-877-918-ASUS (2787)

Web Site: www.asus.com

Support Email: tsd@asus.com

ASUS COMPUTER GmbH (Europe)

Address: Harkortstr. 25, 40880 Ratingen, BRD, Germany

General Fax: +49-2102-442066

General Email: sales@asuscom.de (for marketing requests only)

Technical Support

Support Hotline: MB/Others: +49-2102-9599-0

Notebook (Tel): +49-2102-9599-10

Support Fax: +49-2102-9599-11

Support (Email): www.asuscom.de/de/support (for online support)

Web Site: www.asuscom.de

P4T533 specifications summary

CPU	Socket 478 for Intel® Pentium® 4 On-die 512/256KB L2 cache
Chipset	Intel 82850E MCH Intel 82801BA ICH2 (B4)
Front Side Bus (FSB)	533/400 MHz
Memory	2 x 232-pin 32-bit RIMM4200/3200-compliant Rambus DRAMs (RDRAMs) up to 2GB. memory.
Expansion slots	1 x AGP Pro (1.5V only) 6 x PCI
IDE	2 x UltraDMA 100/66/33
Audio (optional)	C-Media 8738-MX 6-Channel PCI Audio Controller
Special features	Promise® ATA133 / RAID 0/1 IDE controller Intel® 8256ET ethernet controller (optional) ASUS JumperFree™ mode ASUS POST Reporter™ ASUS EZ Plug™ ASUS EZ Flash ASUS MyLogo2™ ASUS Q-Fan ASUS Multi-language BIOS S/PDIF In/Out Module bundled (optional) Power Loss Restart Adjustable CPU V _{CORE} AGP warning LED
Rear panel I/O	1 x Parallel port 2 x Serial ports 1 x PS/2 keyboard port 1 x PS/2 mouse port 2 x USB 2.0 ports 2 x USB 1.1 ports 1 x RJ45 port (Optional) Line In/Line Out/Microphone ports (optional)
Internal I/O	1 x USB 2.0 header for 2 additional USB ports 1 x USB 1.1 header for 2 additional USB ports CPU/Power/Chassis fan connectors 20-pin/4-pin ATX power connectors IDE LED/Power LED connectors Chassis intrusion and SMBus Front Panel/ SIR connectors GAME/MIDI connector S/PDIF In/Out connector Smart card connector(optional) iPanel front panel control connector CD/AUX/Modem audio connectors (optional) Front panel audio connector (optional)

P4T533 specifications summary

BIOS features	4Mb Flash ROM, Award BIOS, TCAV, PnP, DMI2.0, WIM2.0, SM BIOS 2.3, ASUS EZ Flash
Industry standard	PCI 2.2, USB 2.0, USB 1.1
Manageability	WfM 2.0, DMI 2.0, WOL/WOR by PME, chassis intrusion, SMBus
Form Factor	ATX form factor: 12 in x 9.6 in (30.5 cm x 24.5 cm)
Support CD contents	Device drivers ASUS PC Probe™ ASUS LiveUpdate™ Winbond™ Voice Editor Trend Micro™ PC-cillin 2002 anti-virus software CyberLink™ Power Player SE, VideoLive Mail

Welcome!

Thank you for buying the ASUS® P4T533 motherboard!

The ASUS P4T533 motherboard delivers a host of new features to ensure long-lasting, superlative performance. The ASUS® P4T533 motherboard is the prime choice for home PCs and workstations.

The P4T533 incorporates the Intel® Pentium® 4 Processor coupled with the Intel 850E chipset to set a new benchmark for an effective desktop platform solution.

- ~ CPU Thermal Protection
- ~ Up to 2GB of system memory of RIMM4200/RIMM3200 RDRAM
- ~ High-resolution graphics via an AGP Pro slot
- ~ Digital Audio Interface for 3D sound
- ~ Intel® LAN onboard (optional)
- ~ ASUS® Vocal Post Reporter™ built-in to I/O Windbond chip
- ~ Four USB ports plus two headers for eight more

Before installing the motherboard, check the items in your package:

1.1 Package contents

Check your P4T533 package for the following items.

- ✓ ASUS P4T533 motherboard (ATX form factor: 12-in x 9.6-in)
- ✓ ASUS P4T533 support CD
- ✓ 3x 80-conductor ribbon cable for UltraDMA/33/66/100 IDE drives
- ✓ 40-conductor IDE cable
- ✓ Ribbon cable for a 3.5-inch floppy drive
- ✓ S/PDIF in/out module
- ✓ 2-port USB 2.0 / Game Port module
- ✓ Bag of extra jumper caps
- ✓ User Guide
- ✓ I/O Shield
- ✓ 1x C-RIMM continuity module



If any of the above items is damaged or missing, contact your retailer.

1.2 Core Specifications

The P4T533 motherboard is designed and assembled according to the highest standards. This ASUS motherboard represents the latest advances and supplies users the finest components available today...

Latest P4 Processor Technology: Intel® Pentium® 4 Socket 478 Northwood Processor. The Pentium 4 processor with 512KB L2 cache on a 0.13 micron processor core implements a 533MHz, quad-pumping system bus with a 133MHz system clock; the result: 4.3 GB/s data transfer rates are achieved. The P4 offers optimized performance for top-end software, audio, video and Internet applications. (See page 12 and 24.)

North Bridge Chipset: the Intel® 850E (82850E Memory Controller Hub,) I/O Controller and Firmware Hub) with support for AGP 4X Mode, (1.5 volt only); 533/400MHz Front Side Bus (FSB); and dual channel RDRAM.

Intel ICH2: The Intel I/O Controller Hub 2 (82801BA ICH2 B4) features support for UltraDMA/100, which allows burst mode data transfer rates of up to 100MB/sec; and two USB controllers for a total of 4 USB ports.

Intel® Accelerated Hub Architecture: Features a dedicated high speed hub link between the ICH2 and MCH with a bandwidth of 266MB/sec – twice the maximum bandwidth of the PCI bus.

RIMM4200/3200 Memory Support: Equipped with two Rambus Inline Memory Module (RIMM) 232-pin sockets to support 32-bit Intel RIMM4200/3200-compliant Rambus DRAMs (RDRAMs) up to 2GB. (See page 18.)

Optional Promise® chip: The Promise IDE controller chips supports the ATA-133 protocol and UltraDMA/133 data transfer speeds. The chip delivers reliable redundancy and stable performance for RAID levels 0 or 1. RAID 0, data “striping,” improves speed performance as I/O tasks are spread between two hard disk drives. RAID 1, data “mirroring,” improves fault tolerance by optimizing two hard disks to write data to each other. (See page 100.)

Smart BIOS: 4Mb firmware enables Vcore adjustments, boot block write protection, and HD/SCSI/MO/ZIP/CD/Floppy boot selection.

Onboard LAN: The motherboard incorporates the Intel® 82562ET PHY chip to support 10BASE-T/100BASE-TX Fast Ethernet networking. (*Optional*)

Expansion: One AGP Pro, four USB ports, two USB headers, two COM ports, six PCI slots, S/PDIF Digital Audio, iPanel, Front Audio Panel, SMB, Game, Front Panel/CIR Infrared, Parallel, PS/2 Mouse, PS/2 Keyboard, RJ45 (*Optional*), Microphone, Line-In / Line-Out jacks, Standard ATX, AUX and 12V power.

1.3 Special Features

ASUS EZ Plug™ (See page 38.)

This patented ASUS technology uses the existing power supply instead of having to buy a new ATX 12V power supply: ASUS EZ Plug™ is a 4-pin +12V connector that provides additional power required by P4 CPUs.

ASUS EZ Flash BIOS (See page 51.)

With the ASUS EZ Flash, you can easily update the system BIOS even before loading the operating system. No need to use a DOS-based utility or boot from a floppy disk.

ASUS POST Reporter™ (See page 27, 44, 79 and 88.)

P4T533 offers the ASUS POST Reporter™ to provide friendly voice messages and alerts during the Power-On Self-Test (POST). Through the system's internal speaker, or an added external speaker, messages inform you of system boot status and causes of boot errors. Bundled *Winbond™ Voice Editor* software helps you customize voice messages, and offers multi-language support.

ASUS MyLogo2™ (See page 98.)

This new feature present in the P4B533-E motherboard allows you to personalize and add style to your system with customizable boot logos.

ASUS Q-Fan feature (See page 77.)

The ASUS Q-Fan technology smartly adjusts the fan speeds according to the system loading to ensure quiet, cool, and efficient operation.

ASUS Multi-language BIOS (See page 59.)

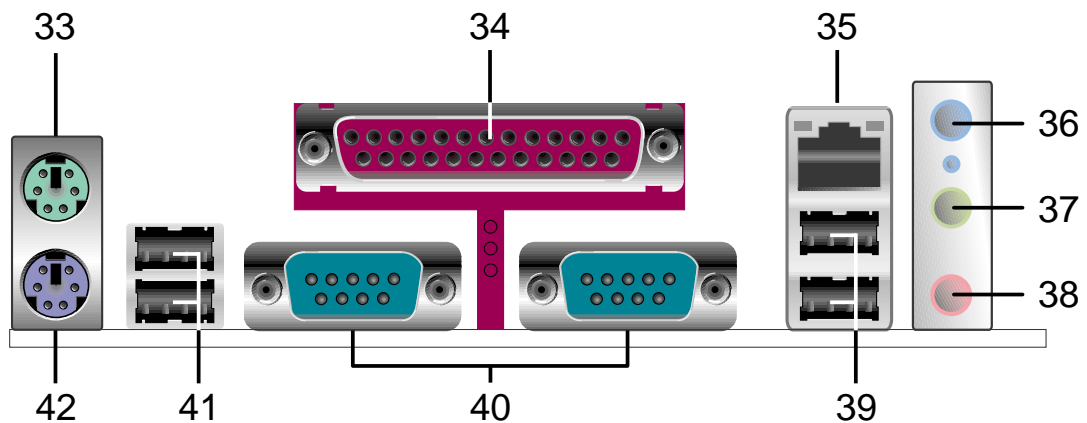
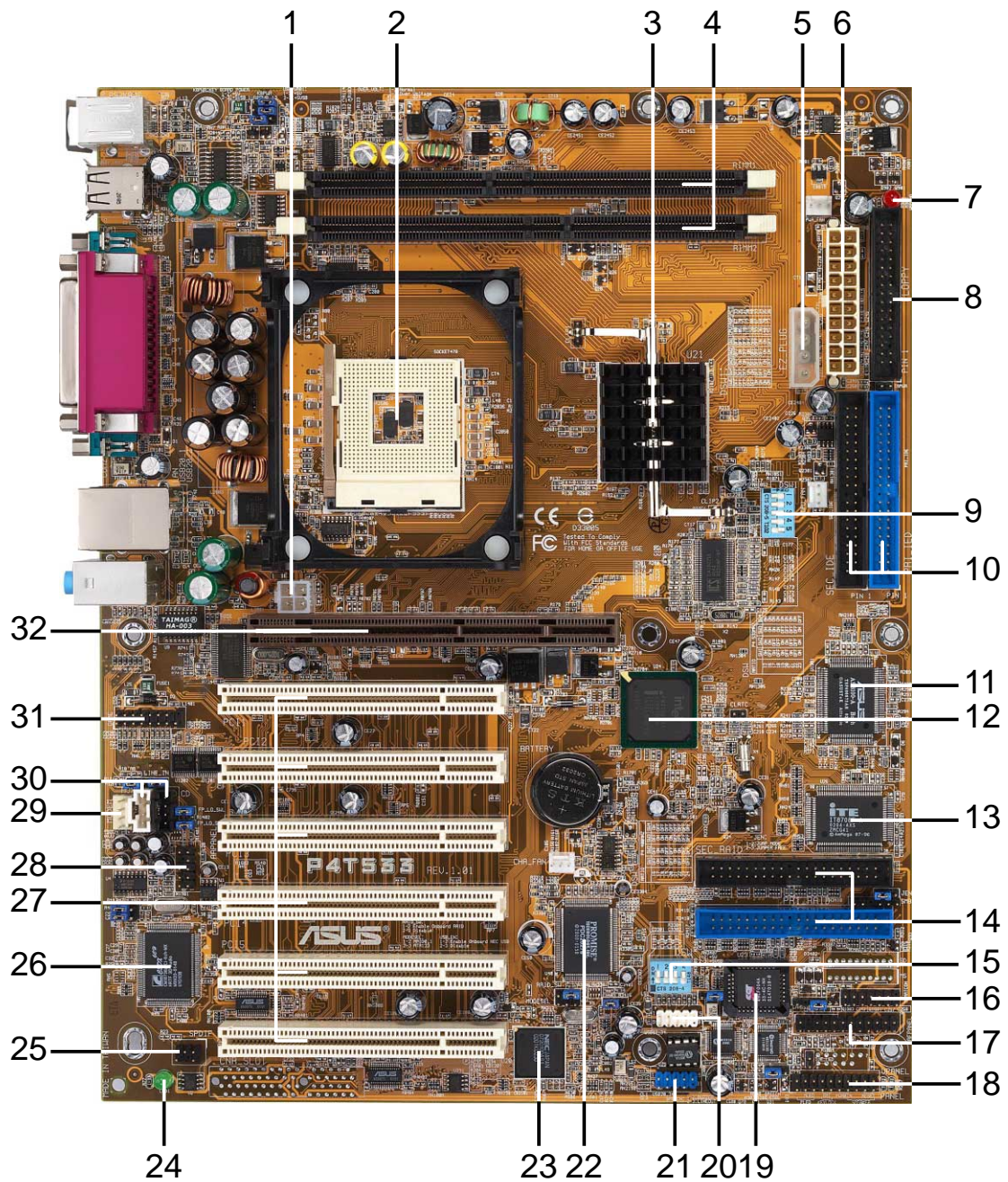
The multi-language BIOS offers the language of your choice from several options. Localized BIOS menus are easy to configure. Visit the ASUS website for the supported languages.

1.4 Motherboard Components

Before installing the P4T533 motherboard, take time to familiarize yourself with its configuration: understanding the motherboard makes upgrading easy. Sufficient knowledge of specifications prevents accidental damage.

	Location
Processor Support	Socket 478 for Intel® P4™ Processors 2
	Feature setting DSW1 External Frequency Selection 9
	Feature setting DSW Clock Multiplier 15
Chipsets	Intel 850E North Bridge 3
	Intel® ICH2 South Bridge 12
	Multi-I/O Controller 13
	4Mbit Programmable Flash EEPROM 19
	Promise® RAID / ATA-133 Controller 22
	Multi-I/O Controller 23
Main Memory	2 32-bit PC1066/800 Memory RIMMs 4
Expansion Slots	6 PCI Slots 27
	Accelerated Graphics Port (AGP) Pro Slot 32
Major System I/O	Floppy Disk Drive Connector 8
	2 IDE Connectors (UltraDMA/133 Support) 10
	2 IDE Connectors (RAID Support) 14
	Smart Card Connector 16
	iPanel / Infrared Connector 17
	System Panel Connector 18
	USB Headers (USB1.1) 20
	USB Headers (USB2.0) 21
	Game Header 31
	PS/2 Mouse Connector (green) 33
	Parallel Port 34
	USB 2.0 Connectors (Port 3/4) 39
	2 Serial Ports (COM1/2) 40
	USB 1.1 Connectors (Port 1/2) 41
	PS/2 Keyboard Connector (purple) 42
Hardware Monitoring	System Voltage Monitor (<i>integrated in ASUS ASIC</i>) 11
Special Feature	Onboard LED 24
	Onboard AGP Warning LED 7
Network Feature	Modem Connector 29
	RJ45 Connector (<i>optional</i>) 35
Audio Features	(<i>Audio Models Only</i>)
	S/PDIF Connector 25
	Audio Controller Chipset 26
	Audio Connectors 30
	Front Panel Audio Header 28
	Line In Connector (light blue) 36
	Line Out Connector (lime) 37
	Microphone Connector (pink) 38
Power	AUX12V1 EZ PLUG Power Supply Connector 5
	ATX Power Supply Connector 6
	ATX12V Power Supply Connector 1
Form Factor	ATX

1.4.1 Component Locations



1.5 Value-added solutions

Easy Overclocking

- Quickly adjust CPU frequency multiples with BIOS in JumperFree™ Mode
- Stepless Frequency Selection (SFS) for fine-tuning system bus frequency from at 1MHz increments (See page 66.)
- Adjustable FSB/AGP/PCI frequency ratio and Clock Multiplier (See page 23, 24 and 66.)
- Adjustable Vcore Voltage (See page 27 and 66.)

Temperature, Fan and Voltage Monitoring: ASUS ASIC and the CPU's internal thermal diode monitors temperature to prevent overheating. System fans are monitored for RPM and failure. Voltage is monitored to ensure stable current to critical motherboard components.

ACPI Ready: Advanced Configuration Power Interface (ACPI) provides more Energy Saving Features to boost OS Direct Power Management. (See page 31 and 67.)

USB2.0: The latest connection standard for next generation components and peripherals. Compatible with 1.1 USB, the new 2.0 USB protocol delivers transfer speeds up to 40 times faster at 480Mb/s.

Digital Audio: On audio models, a digital audio controller and a special connector is available to accommodate the S/PDIF (Sony/Philips Digital Interface Output module -- optionally bundled) for coaxial interfaces. (See page 44.)

Onboard Audio (optional): Audio models come with the six-channel C-Media CMI8738 PCI audio controller that supplies HRTF 3D positional audio functions. A software package helps setup the multi-channel PC sound system. (See page 100.)

Dual function power switch

While the system is ON, pressing the power switch for less than 4 seconds puts the system to sleep mode or to soft-off mode, depending on the BIOS setting. Pressing the power switch for more than 4 seconds lets the system enter the soft-off mode regardless of the BIOS setting.

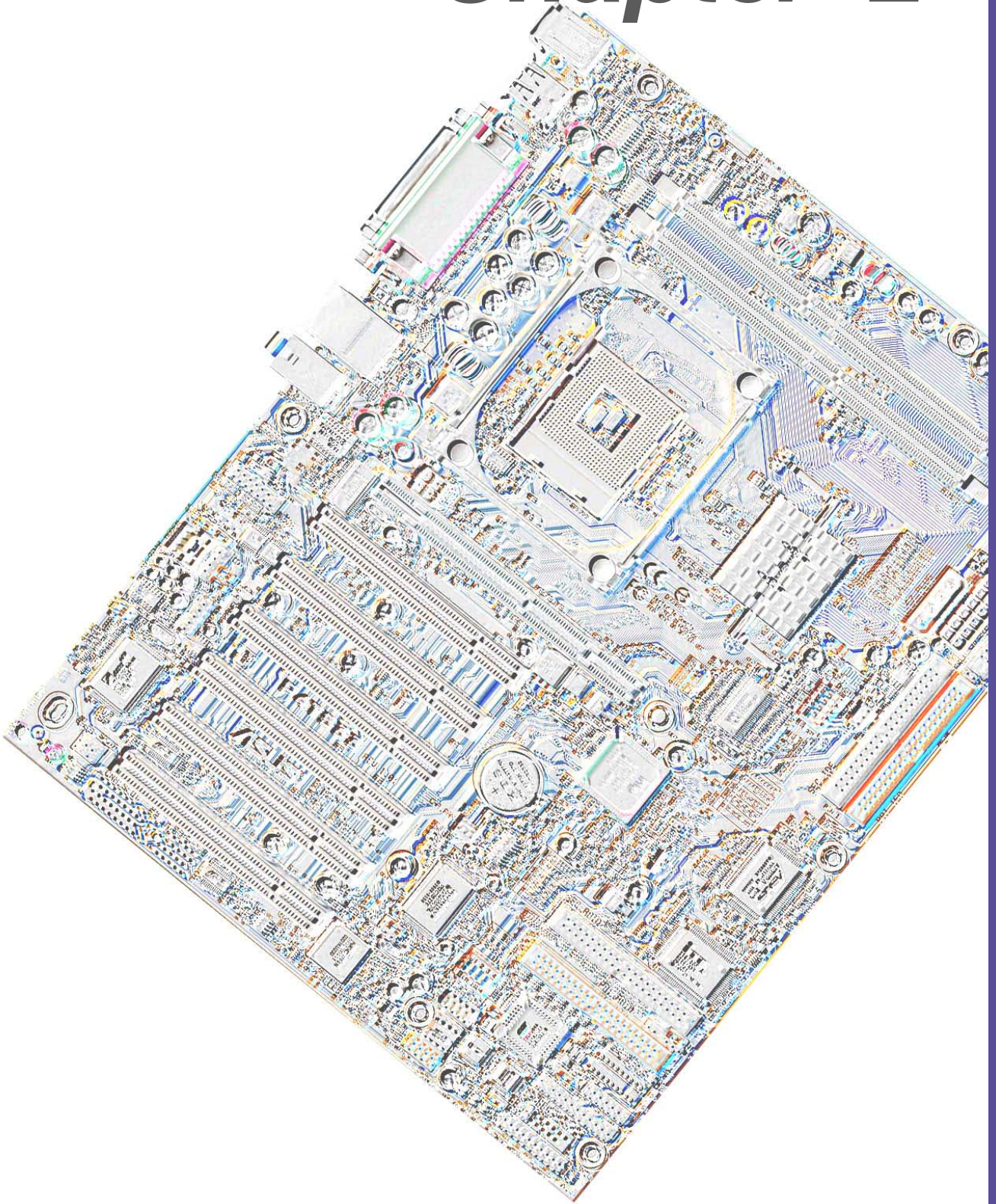
Auto fan off

The system fans power off automatically when the system is in sleep mode. This feature reduces both power consumption and system noise.

Chassis intrusion detection

The motherboard supports chassis intrusion monitoring through the ASUS ASIC. A chassis intrusion event is retained in the system memory for more protection. (See page 40.)

Chapter 2



Hardware information

2.1 Motherboard installation

Before you install the motherboard, study the configuration of your chassis to ensure that the motherboard fits into it. The P4T533 uses the ATX form factor that measures 24.5 cm (9.6 in.) x 30.5 cm (12.0 in.), a standard fit for most chassis.



Make sure to unplug the power cord before installing or removing the motherboard. Failure to do so may cause you physical injury and damage motherboard components.

2.1.1 Placement direction

When installing the motherboard, make sure that you place it into the chassis in the correct orientation. The edge with external ports goes to the rear part of the chassis. Refer to the image below.

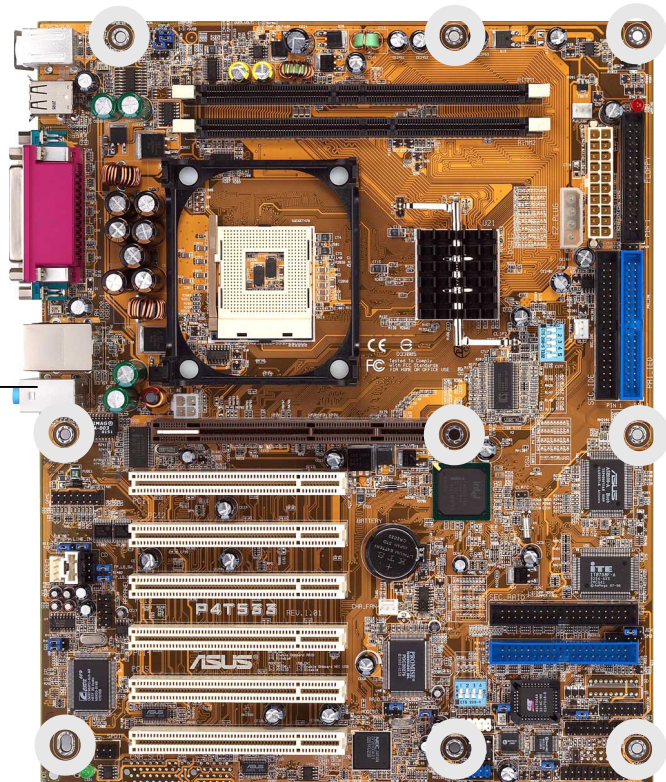
2.1.2 Screw holes

Place nine (9) screws into the holes indicated by circles to secure the motherboard to the chassis.

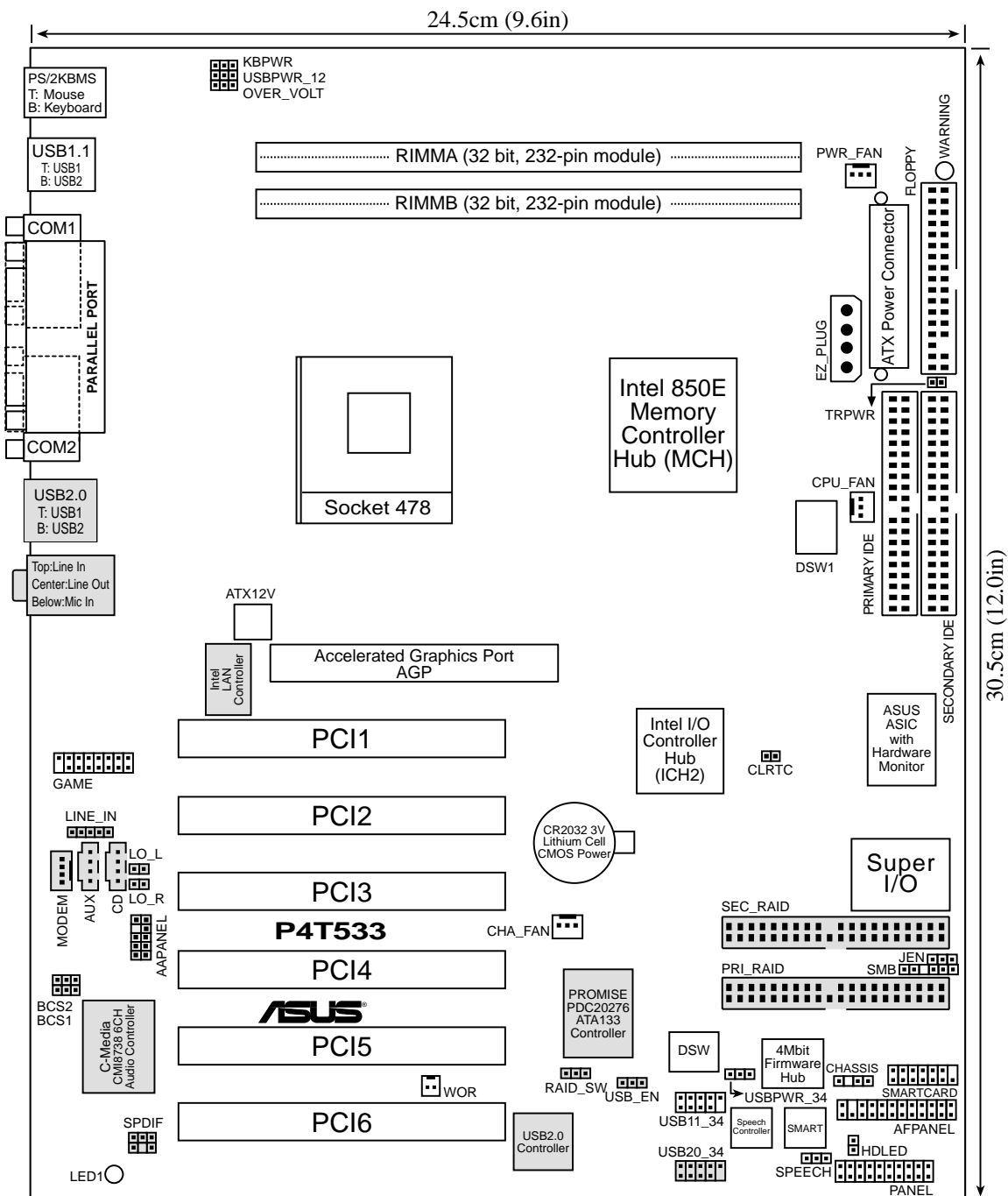


Do not overtighten the screws! Doing so may damage the motherboard.

Place this side towards the rear of the chassis



2.2 Motherboard layout



The audio and LAN features are optional. These components are grayed out in the above motherboard layout.

2.2.1 Layout contents

CPU, Memory and Expansion Slots

- | | |
|--------------------|---------------------------------------|
| 1) Socket 478 | p. 12 Installing the CPU |
| 2) Heatsink | p. 13 Installing the Heatsink and Fan |
| 3) Memory | p. 16 System Memory Support |
| 4) PCI 1/2/3/4/5/6 | p. 19 32-bit PCI Bus Expansion Slots |
| 5) AGP Pro | p. 21 Accelerated Graphics Slot |

Motherboard Settings (Switches and Jumpers)

- | | |
|-----------------|-------------------------------------------------------|
| 1) JEN | p. 22 JumperFree Mode Setting (Disable/Enable) |
| 2) DSW1 | p. 23 CPU External Frequency Selection (Switches 1-5) |
| 3) DSW | p. 24 CPU Frequency Multiple Setting (Switches 1-4) |
| 4) USB_EN | p. 25 USB Header (Enable/Disable) |
| 5) USBPWR01, 23 | p. 25 USB Device Wake-up (+5V / +5VSB) |
| 6) BCS1, BCS2 | p. 26 Bass Center Setting (Bass Center / Center Bass) |
| 7) KBPWR | p. 26 Keyboard Wake Up (+5V, +5VSB) |
| 8) OVER_VOLT | p. 27 CPU Over Voltage Setting (Normal / OverVoltage) |
| 9) SPEECH | p. 27 Speaker Selector (Buzzer / Lineout) |
| 11) RAID_SW | p. 28 RAID IDE Setting (Enable / Disable) |
| 12) CLRRTC | p. 29 Clear RTC RAM |

Connectors

- | | |
|------------------------------------|---------------------------------------------------------------------|
| 1) PS2KBMS | p. 31 PS/2 Mouse Port (6 pin female) |
| 2) PS2KBMS | p. 31 PS/2 Keyboard Port (6 pin female) |
| 3) USB | p. 32 Universal Serial Bus Ports 0, 1, 2 & 3 (Two x 4 pin female) |
| 4) PRINTER | p. 32 Parallel Port (25 pin female) |
| 5) COM1/ 2 | p. 32 Serial Port (9 pin male) |
| 6) AUDIO | p. 33 Audio Connectors (Three 1/8" AUDIO) |
| 7) RJ45 | p. 33 Fast-Ethernet Port Con. (4 pin female) (<i>optional</i>) |
| 8) IDE_LED | p. 34 IDE Activity LED (2 pin) |
| 9) PRI_, SEC_IDE | p. 35 Primary / Secondary IDE Connectors (Two 40-1 pin) |
| 10) PRI_, SEC_RAID | p. 36 Primary / Secondary RAID IDE Cons. (Two 40-1 pin) |
| 11) FLOPPY | p. 37 Floppy Disk Drive Connector (34-1 pin) |
| 12) PWR, CPU, CHA_FAN | p. 37 Power, CPU and Chassis Fan Connectors (Three 3 pin) |
| 13) ATXPWR,
12V EZ_PLUG, ATX12V | p. 38 ATX Power Connectors (20-pin, 4-pin, 4-pin) |
| 14) SMB | p. 38 SMBus Connector (6-1 pin) |
| 15) USB11_34 | p. 39 USB Headers (10-1 pin) |
| 16) USB20_34 | p. 39 USB 2.0 Headers (10-1 pin) |
| 17) CD, AUX, MODEM | p. 40 Internal Audio Connectors (Three 4-1 pin) (<i>optional</i>) |
| 18) CHASSIS | p. 40 Chassis Open Alarm Lead (4-1 pin) |

19) SMARTCON	p. 41 Smart Card Reader connector (14-1 pin) (<i>optional</i>)
20) FP_LO_SWL, FP_LO_SWR	p. 41 Line-out Selector Jumpers (Two 2 pin)
21) AFPANEL	p. 42 ASUS iPanel / Infrared Connector (24-1 pin)
22) LINE_IN	p. 43 Front Panel Audio Line In Header (5 pin)
23) AAPANEL	p. 43 Front Panel Audio Connector (10-1 pin)
24) SPDIF	p. 44 Digital Audio Connector (4-1 pin) (<i>optional</i>)
25) GAME	p. 44 Game Header (16-1 pin GAME)
26) TRPWR	p. 45 Power Supply Thermal Connector (2 pin)
27) PLED	p. 46 Keyboard Lock Switch Lead (2 pin)
28) KEYLOCK	p. 46 Keyboard Lock Switch Lead (2 pin)
29) SPEAKER	p. 46 System Warning Speaker Lead (4 pin)
30) MLED	p. 46 System Message LED Lead (2 pin)
31) SMI	p. 46 System Management Interrupt Lead (2 pin)
32) PWRSW	p. 46 ATX Power Switch / Soft-Off Switch Lead (2 pin)
33) RESET	p. 46 Reset Switch Lead (2-pin)

2.3 Before you proceed

Take note of the following precautions before you install motherboard components or change any motherboard settings.



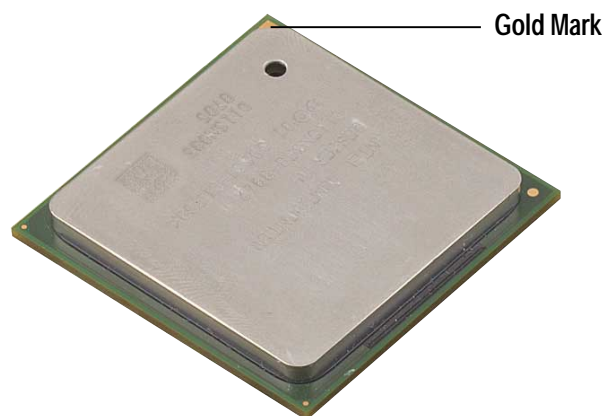
1. Unplug the power cord from the wall socket before touching any component.
2. Use a grounded wrist strap or touch a safely grounded object or to a metal object, such as the power supply case, before handling components to avoid damaging them due to static electricity.
3. Hold components by the edges and do not to touch the ICs on them.
4. Whenever you uninstall any component, place it on a grounded antistatic pad or in the bag that came with the component.
- 5 **Before you install or remove any component, ensure that the ATX power supply is switched off or the power cord is detached from the power supply.** Failure to do so may cause severe damage to the motherboard, peripherals, and/or components.

2.4 Central Processing Unit (CPU)

2.4.1 Overview

The motherboard comes with a surface mount 478-pin Zero Insertion Force (ZIF) socket. This socket is specifically designed for the Intel® Pentium® 4 478 Processor.

The Intel Pentium 4 Processor in the 478-pin package uses the Flip-Chip Pin Grid Array 2 (FC-PGA2) package technology, and includes the Intel® NetBurst™ micro-architecture. The Intel NetBurst micro-architecture features the hyper-pipelined technology, rapid execution engine, 533/400MHz system bus, and execution trace cache. Together, these attributes improve system performance by allowing higher processor frequencies, faster execution of integer instructions, and a data transfer rate of 4.2 GB/s and 3.2GB/s.



Note in the illustration that the CPU has a gold triangular mark on one corner. This mark indicates the processor Pin 1 that should match a specific corner of the CPU socket.

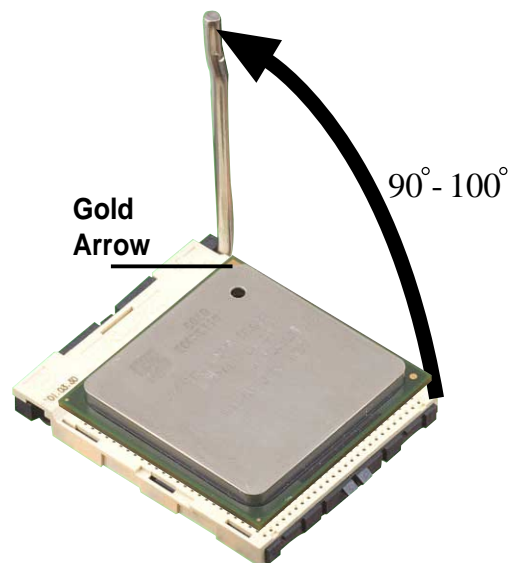


Incorrect installation of the CPU into the socket may bend the pins and severely damage the CPU!

2.4.2 Installing the CPU

Follow these steps to install a CPU:

1. Locate the Socket 478 and open it by pulling the lever gently sideways away from the socket. Then lift the lever upwards. The socket lever must be fully opened (90 to 100 degrees).
2. Insert the CPU with the correct orientation. The **gold arrow** of the CPU must be oriented toward the inner corner of the socket base nearest to the hinge of the lever handle.



The CPU fits in one orientation and should drop easily into place. **Do not force the CPU** into the socket to avoid bending the pins. If the CPU does not fit, check its alignment and look for bent pins.

3. Once completely inserted, press the CPU firmly and close the socket lever until it snaps into its locked position.
4. Install an Intel fan heatsink.
5. Place the CPU fan and heatsink on the CPU. The heatsink should entirely cover the CPU. Carefully attach the heatsink locking brace to the plastic clips on the socket base. With the added weight of the CPU fan and heatsink locking brace, no extra force is required to keep the CPU in place



Take care not to scrape the motherboard surface when mounting a clamp-style processor fan, or else damage may occur. When mounting a heatsink onto your CPU, make sure that exposed CPU capacitors do not touch the heatsink, or damage may occur!



Do not neglect to set the correct Bus Frequency and Multiple (frequency multiple setting is available only on unlocked processors) for your Socket 478 processor or else boot-up may not be possible. Socket 478 processors provide internal thermal sensing: a socket mounted thermal resistor is not needed.

2.4.3 Installing the heatsink and fan

The Intel® Pentium® 4 478 Processor requires a specially designed heatsink and fan assembly to ensure optimum thermal condition and performance.



When you buy a boxed Intel Pentium 4 478 Processor, the package includes the heatsink, fan, and retention mechanism.

In case you buy a CPU separately, make sure that you use only Intel certified heatsink and fan.

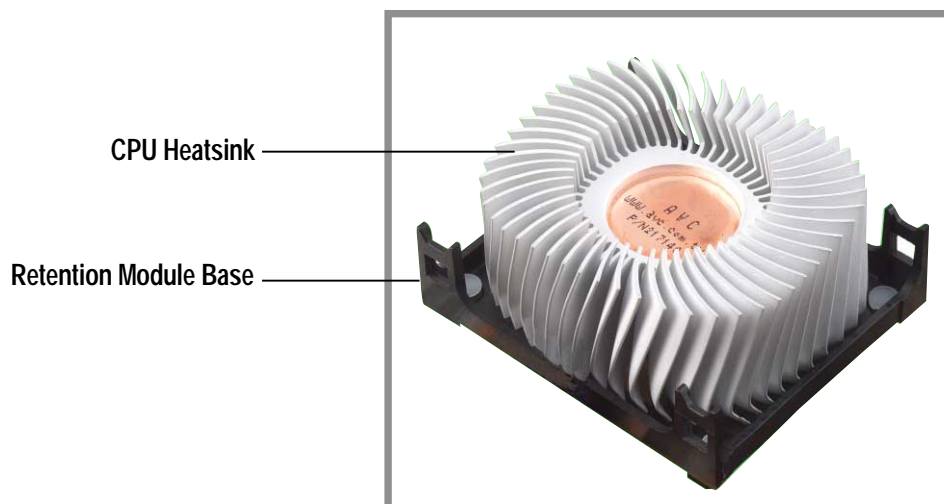
Follow these steps to install the CPU heatsink and fan.

1. Place the heatsink on top of the installed CPU, making sure that the heatsink fits properly on the retention module base.



The retention module base is already installed on the motherboard upon purchase.

You do not have to remove the retention module base when installing the CPU or installing other motherboard components.

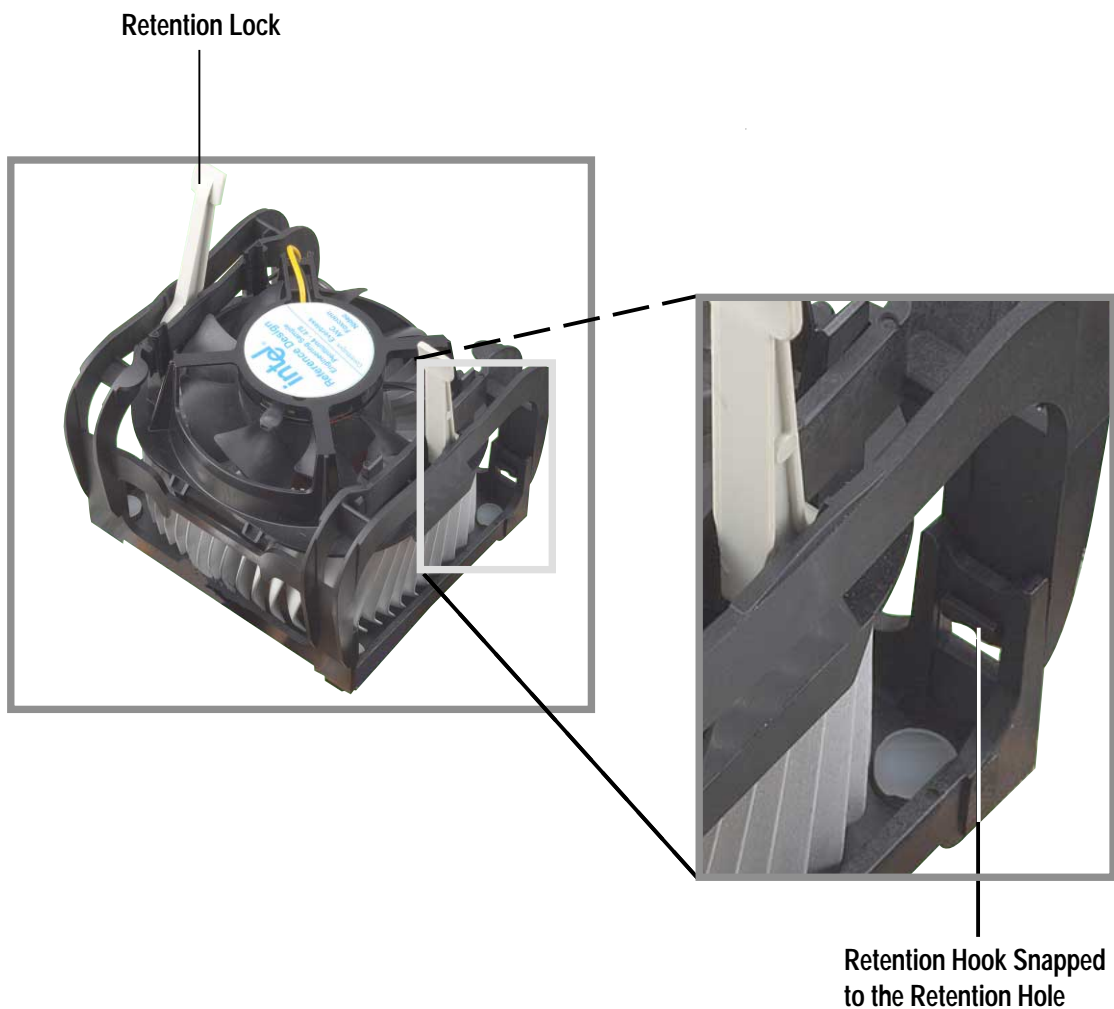


Your boxed Intel Pentium 4 478 Processor package should come with installation instructions for the CPU, heatsink, and the retention mechanism. If the instructions in this section do not match the CPU documentation, follow the latter.

2. Position the fan with the retention mechanism on top of the heatsink. Align and snap the four hooks of the retention mechanism to the holes on each corner of the module base.



Make sure that the fan and retention mechanism assembly perfectly fits the heatsink and module base, otherwise you cannot snap the hooks into the holes.



Keep the retention locks lifted upward while fitting the retention mechanism to the module base.

3. Push down the locks on the retention mechanism to secure the heatsink and fan to the module base.



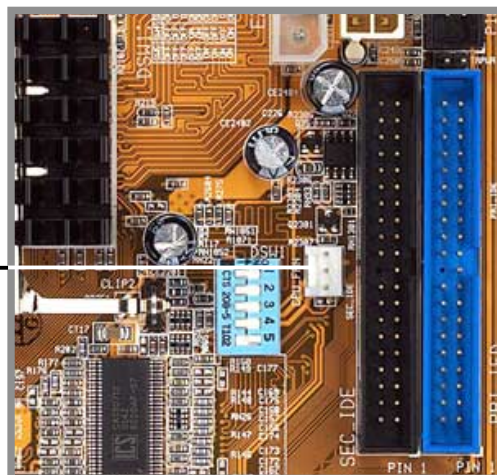
When secure, the retention locks should point to opposite directions.



2.4.4 Connecting the CPU fan cable

When the fan, heatsink, and the retention mechanism are in place, connect the CPU fan cable to the connector on the motherboard labeled CPUFAN1.

CPU Fan Connector (CPUFAN1)



Don't forget to connect the CPU fan connector! Hardware monitoring errors may occur if you fail to plug this connector.

2.5 System memory

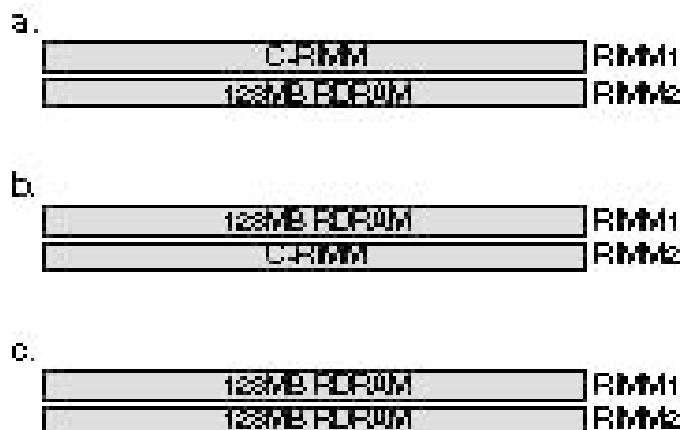
2.5.1 Overview

This motherboard has four 232-pin **Rambus Inline Memory Modules (RIMM)** sockets. These sockets support 32-bit RIMMs in the following sizes: 128, 256 and 512Mbit RDRAM RIMMs.

Location	Memory Module		Subtotal
RIMM1 (Rows 0&1)	<input type="checkbox"/> RDRAM <input type="checkbox"/> and/or C-RIMM (Use when socket is unpopulated.)	x 1	
RIMM2 (Rows 2&3)	<input type="checkbox"/> RDRAM <input type="checkbox"/> and/or C-RIMM (Use when socket is unpopulated.)	x 1	
	TOTAL SYSTEM MEMORY (2GB Max)	=	



C-RIMMs (Continuity RIMM) must be used to complete the socket that is not populated by RDRAMs. To assure the electrical integrity of the Rambus interface. A C-RIMM is necessary to avoid breaking the signal lines, which are a serial connection in a Rambus interface.
(See the diagram below.)

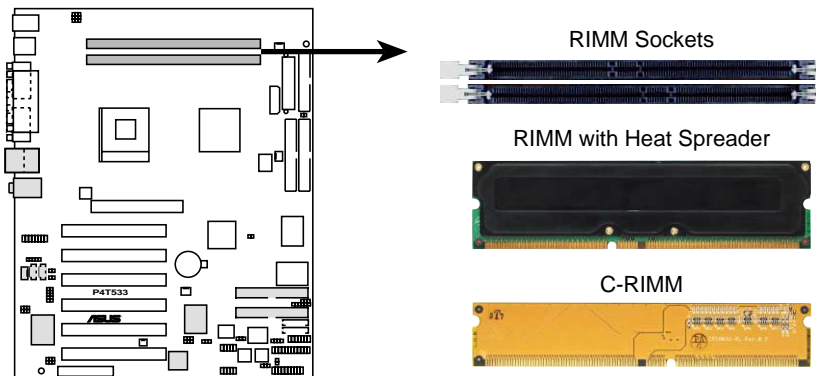


2.5.2 Installing Memory

The memory module (RIMM) will fit in only one orientation.

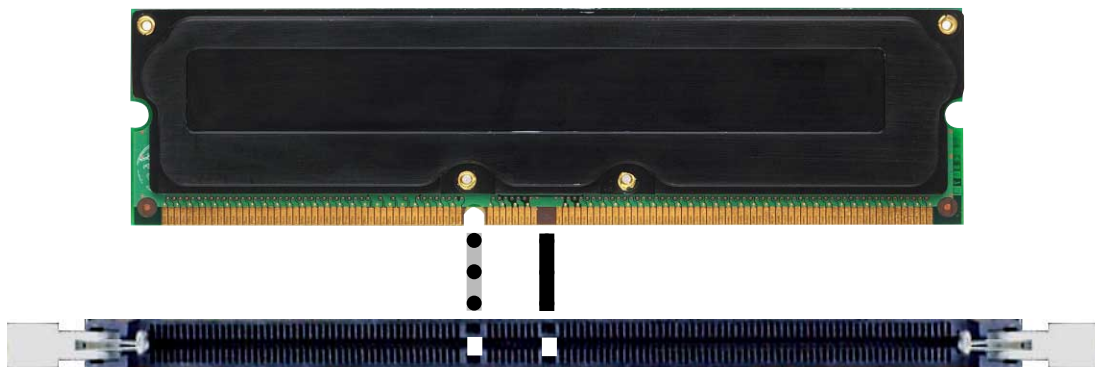


IMPORTANT: Do not touch the memory module's connectors. Handle the module only by the edges.



P4T533 184-Pin RIMM Sockets

1. Make sure that the notch keys in the module are aligned with the small ribs inside the RIMM sockets.



2. With the ejectors in the open position (as shown), push down gently but firmly on the memory module until it snaps into place. The guides on the socket's ejectors should go through the two mounting notches on the module and the ejectors should close. If necessary, push the ejectors inward to secure the module in place.



No hardware or BIOS setup is required after adding or removing memory.

2.5.3 Removing Memory:

To release a memory module, push both ejectors outward and pull the module straight up and out of the RIMM sockets.



RIMM modules become extremely hot during operation. To reduce the risk of personal injury from hot surfaces, allow the modules to cool off before removing them.

2.5.4 General RIMM Memos:

32-bit 1066/800MHz RIMM Qualified Vendor List

The following table lists qualified memory modules that have been tested and for use with this motherboard:

Vendor	Model / Device Number	Type/Size/Device
Samsung	MD-18R1624AF0-CN9	4200 / 128MB / 4d
Samsung	MD-18R1628AF0-CN9	4200 / 256MB / 8d
Samsung	MD-18R162GAF0-CN9	4200 / 512MB / 16d
Samsung	MD18R1624AF0-CM8	3200 / 128MB / 4d
Samsung	MD18R1628AF0-CM8	3200 / 256MB / 8d
Samsung	MD18R162GAF0-CM8	3200 / 512MB / 16d
Elpida	MC-4R128FKK8K-840	3200 / 128MB / 4d
Elpida	MC-4R256FKK8K-840	3200 / 256MB 8d



Use only the tested and qualified RIMMs listed above. RIMMs manufactured by other vendors may not be suitable for this motherboard. Visit the ASUS website for more updates:
<http://www.asus.com>



RIMM4200 modules require use of 533MHz CPUs; therefore, do not use RIMM4200 modules with 400MHz CPUs.

2.6 Expansion slots

In the future, you may need to install expansion cards. The motherboard has six PCI slots and one Accelerated Graphics Port (AGP) slot. The following sub-sections describe the slots and the expansion cards that they support.

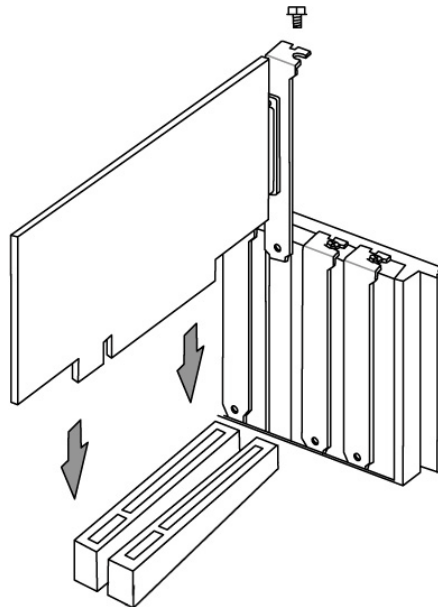


Make sure to unplug the power cord before adding or removing expansion cards. Failure to do so may cause you physical injury and damage motherboard components.

2.6.1 Installing an expansion card

Follow these steps to install an expansion card.

1. Before installing the expansion card, read the documentation that came with it and make the necessary hardware settings for the card.
2. Remove the system unit cover (if your motherboard is already installed in a chassis).
3. Remove the bracket opposite the slot that you intend to use. Keep the screw for later use.
4. Align the card connector with the slot and press firmly until the card is completely seated on the slot.
5. Secure the card to the chassis with the screw you removed earlier.
6. Replace the system cover.



2.6.2 Configuring an expansion card

After physically installing the expansion card, configure the card by adjusting the software settings.

1. Turn on the system and change the necessary BIOS settings, if any. See Chapter 4 for information on BIOS setup.
2. Assign an IRQ to the card. Refer to the tables on the next page.
3. Install the software drivers for the expansion card.

Standard Interrupt Assignments

IRQ	Priority	Standard Function
0	1	System Timer
1	2	Keyboard Controller
2	N/A	Programmable Interrupt
3*	11	Communications Port (COM2)
4*	12	Communications Port (COM1)
5*	13	Sound Card (sometimes LPT2)
6	14	Floppy Disk Controller
7*	15	Printer Port (LPT1)
8	3	System CMOS/Real Time Clock
9*	4	ACPI Mode when used
10*	5	IRQ Holder for PCI Steering
11*	6	IRQ Holder for PCI Steering
12*	7	PS/2 Compatible Mouse Port
13	8	Numeric Data Processor
14*	9	Primary IDE Channel
15*	10	Secondary IDE Channel

*These IRQs are usually available for ISA or PCI devices.

Interrupt Request Table for this Motherboard

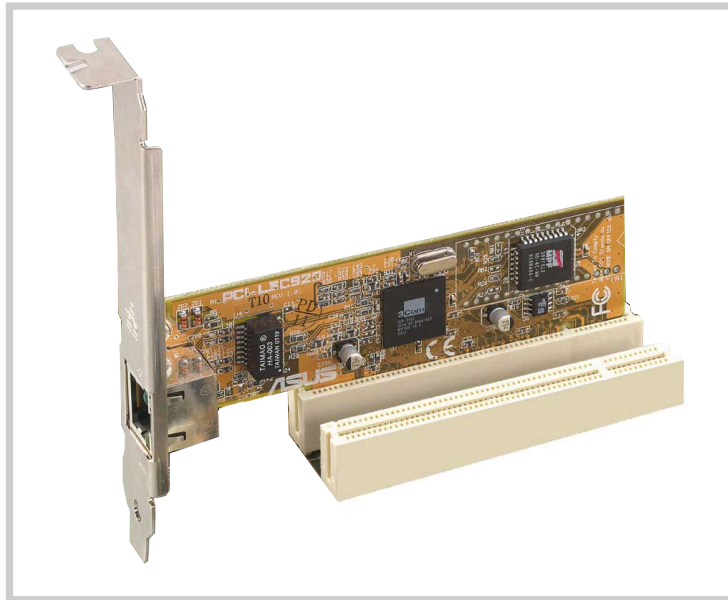
	A	B	C	D	E	F	G	H
PCI slot 1	—	—	—	—	—	shared	—	—
PCI slot 2	—	—	—	—	—	—	shared	—
PCI slot 3	—	—	—	—	—	—	—	shared
PCI slot 4	—	—	—	—	used	—	—	—
PCI slot 5	—	—	—	—	—	shared	—	—
PCI slot 6	—	—	used	—	—	—	—	—
USB 2.0	—	—	—	—	—	shared	shared	shared
AGP Pro	used	used	—	—	—	—	—	—
Audio	—	—	—	—	—	shared	—	—
Promise	—	—	—	—	—	—	shared	—



When using PCI cards on shared slots, ensure that the drivers support “Share IRQ” or that the cards do not need IRQ assignments. Otherwise, conflicts will arise between the two PCI groups, making the system unstable and the card inoperable.

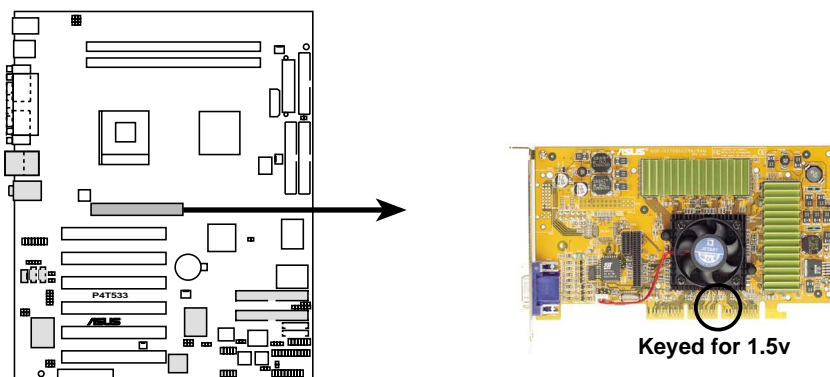
2.6.3 PCI slots

There are six 32-bit PCI slots in this motherboard. The slots support PCI cards such as a LAN card, SCSI card, USB card, and other cards that comply with PCI specifications. The following figure shows a LAN card installed on a PCI slot.



2.6.4 AGP slot

This motherboard has an Accelerated Graphics Port (AGP) slot that supports any AGP 4X/2X cards.



P4T533 Accelerated Graphics Port (AGP)



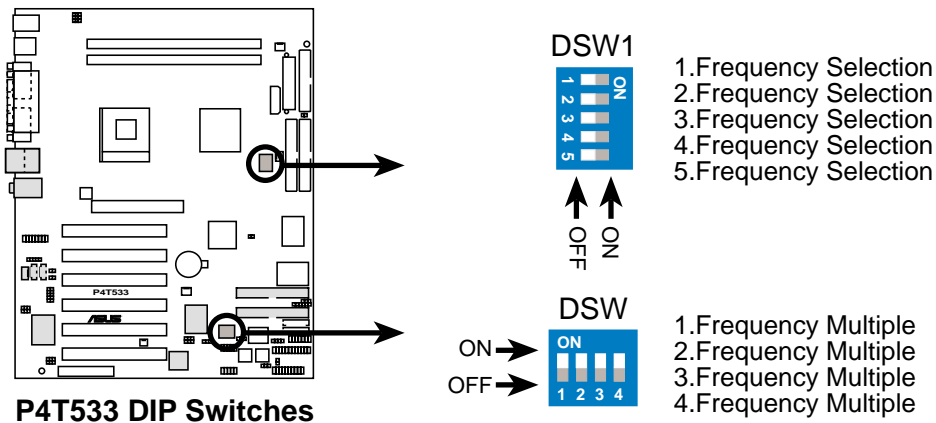
CAUTION! To avoid damaging your AGP/AGP Pro graphics card, your computer's power supply should be unplugged before inserting your graphics card into the slot.

2.7 Jumpers

The jumpers on the motherboard allow you to change some feature settings to suit your customized system configuration.

Motherboard Frequency Settings (DSW Switches)

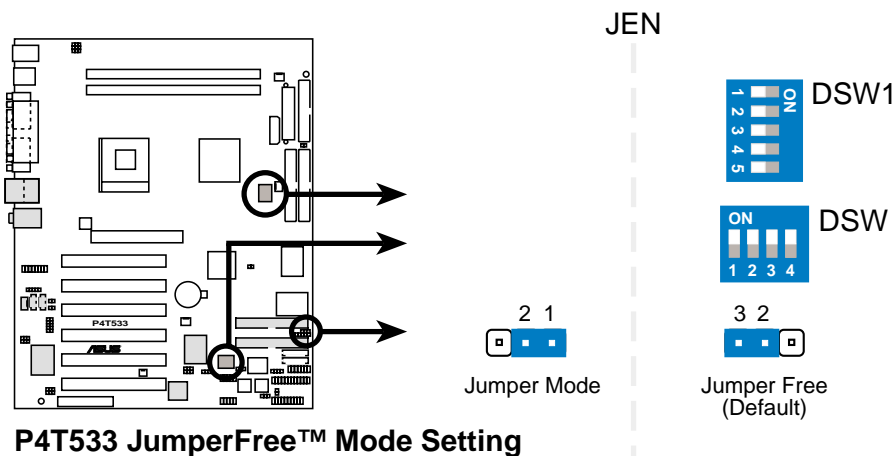
The motherboard frequency is adjusted through the DSW switches. The illustration below shows the default position:



Before changing any DSW or jumper setting, make sure to read the jumper descriptions and setting requirements in this section.

1. JumperFree™ Mode (JEN)

This jumper enables or disables the JumperFree™ mode. The default setting, [1-2], enables JumperFree™ mode. JumperFree™ mode permits processor settings to be made through the BIOS setup (see **4.4 Advanced Menu**).

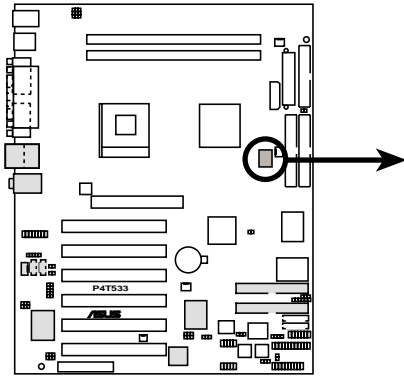


2. CPU External Frequency Selection (DSW1 Switches 1-5)

This option tells the clock generator which frequency to send to the CPU, SDRAM and AGP clock, and sets the CPU's *External* frequency. (The BUS Clock multiplied by the Frequency Multiple equals the CPU's *Internal* frequency, or, the advertised CPU speed.)

IMPORTANT:

- To use this feature, JEN must be set to Jumper Mode, [1-2].
(See 1, *JumperFree™ Mode*.)



DSW1

CPU	100.00MHz	105.00MHz	110.00MHz
AGP	67.00MHz	70.00MHz	73.00MHz
PCI	33.00MHz	35.00MHz	37.00MHz
CPU	115.00MHz	120.00MHz	133.00MHz
AGP	77.00MHz	80.00MHz	67.00MHz
PCI	38.00MHz	40.00MHz	33.00MHz
CPU	136.00MHz	140.00MHz	145.00MHz
AGP	68.00MHz	70.00MHz	73.00MHz
PCI	34.00MHz	35.00MHz	36.00MHz

P4T533 CPU External Frequency Selection

Frequency Table

MHz			DSW1				
CPU	AGP	PCI	1	2	3	4	5
100	67	33	[OFF]	[OFF]	[OFF]	[OFF]	[OFF]
105	70	35	[OFF]	[ON]	[ON]	[OFF]	[OFF]
110	73	37	[OFF]	[OFF]	[ON]	[OFF]	[OFF]
115	77	38	[OFF]	[ON]	[OFF]	[ON]	[OFF]
120	80	40	[OFF]	[OFF]	[OFF]	[ON]	[OFF]
133	67	33	[OFF]	[OFF]	[OFF]	[OFF]	[ON]
136	68	34	[ON]	[OFF]	[OFF]	[OFF]	[ON]
140	70	35	[ON]	[ON]	[ON]	[OFF]	[ON]
145	73	36	[OFF]	[ON]	[OFF]	[ON]	[ON]



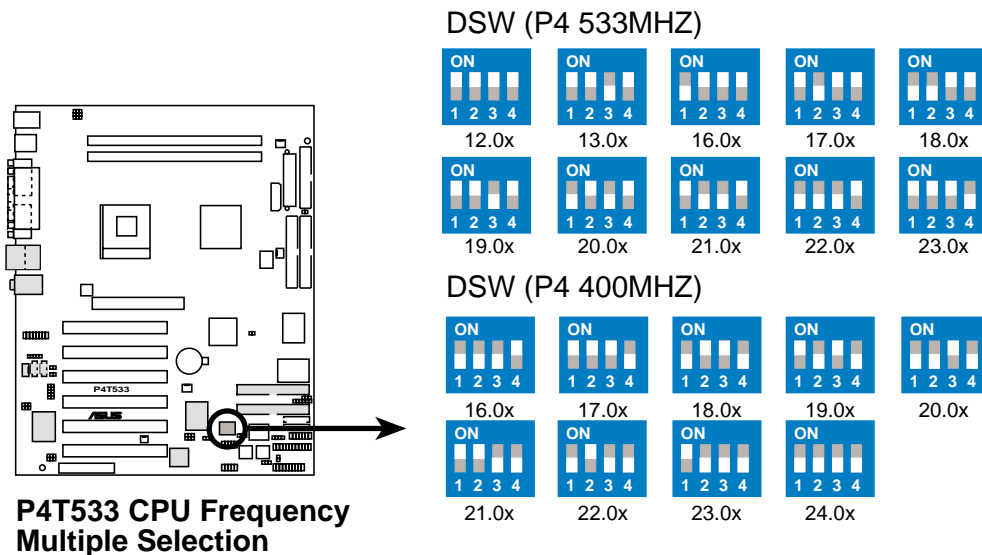
WARNING! Set the CPU AND DRAM frequencies only to the recommended settings. Frequencies other than the recommended CPU bus frequencies are not guaranteed to be stable. Overclocking the processor is not recommended, as it may result in a slower speed.

3. CPU Frequency Multiple Setting (DSW Switches 1-4)

Set DSW switches (1-4) to use the clock multiplier to coordinate the ratio of bus speeds with CPU settings. Set the DSW switches according to the internal speed of your processor and the bus frequency (133/100MHz).

IMPORTANT:

- To use this feature, JEN must be set to Jumper Mode, [1-2].
(See 1, JumperFree™ Mode.)

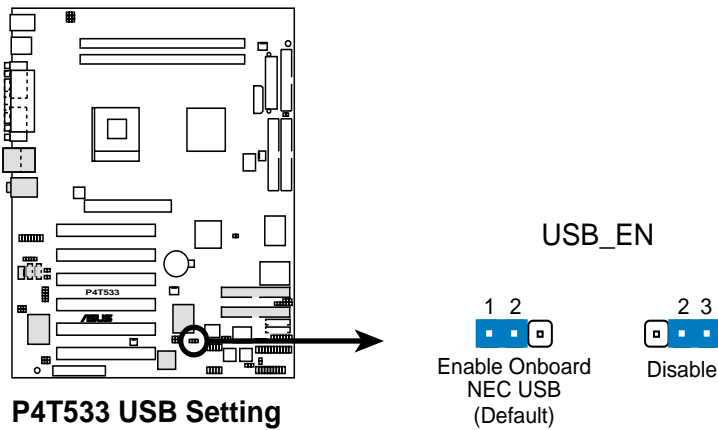


Multiplier Table

MHz	Multiplier	DSW			
		1	2	3	4
533	12.0x	[ON]	[ON]	[ON]	[ON]
	13.0x	[ON]	[ON]	[OFF]	[ON]
	16.0x	[OFF]	[ON]	[ON]	[ON]
	17.0x	[ON]	[OFF]	[ON]	[ON]
	18.0x	[OFF]	[OFF]	[ON]	[ON]
	19.0x	[ON]	[ON]	[OFF]	[ON]
	20.0x	[OFF]	[ON]	[OFF]	[ON]
	21.0x	[ON]	[OFF]	[OFF]	[ON]
	22.0x	[OFF]	[OFF]	[OFF]	[ON]
	23.0x	[ON]	[ON]	[ON]	[OFF]
400	16.0x	[OFF]	[OFF]	[OFF]	[ON]
	17.0x	[ON]	[ON]	[ON]	[OFF]
	18.0x	[OFF]	[ON]	[ON]	[OFF]
	19.0x	[ON]	[OFF]	[ON]	[OFF]
	20.0x	[OFF]	[OFF]	[ON]	[OFF]
	21.0x	[ON]	[ON]	[OFF]	[OFF]
	22.0x	[OFF]	[ON]	[OFF]	[OFF]
	23.0x	[ON]	[OFF]	[OFF]	[OFF]
24.0x	[OFF]	[OFF]	[OFF]	[OFF]	

4. USB Header (3 pin USB_EN)

The USB header (USB_EN) is enabled by the default setting, [1-2]. Select [2-3] to disable the header.

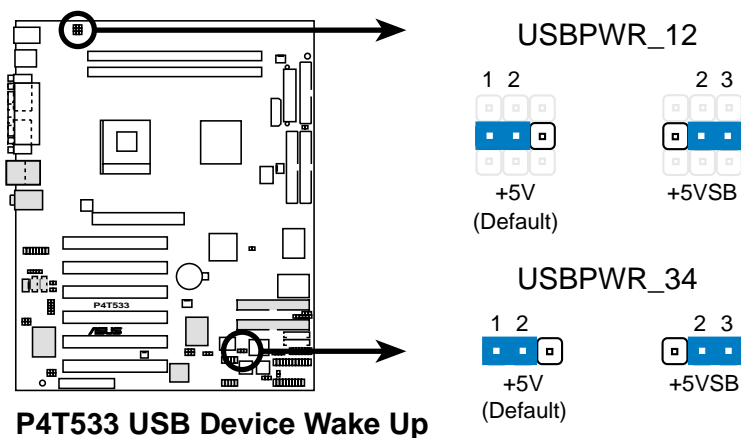


5. USB Device Wake-Up (2x3 pin USBPWR_12, 34)

The default setting, [1-2] (+5V) enables the USB wake-up feature. Reset these jumpers to pins [2-3] (+5VSB) to disable the wake up feature.

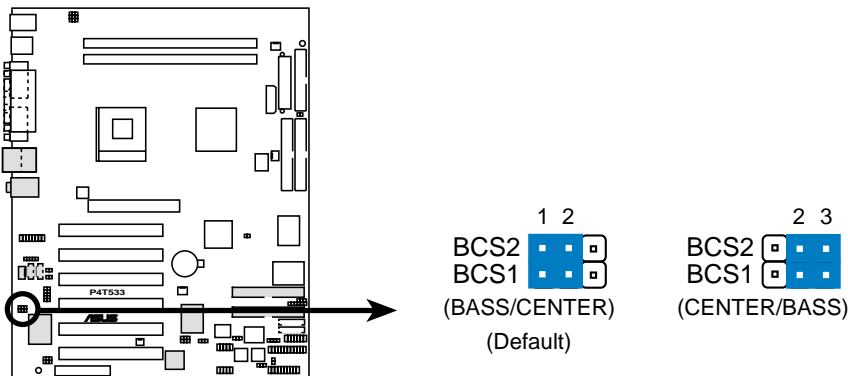


The USB device wake-up feature requires a power supply that can provide at least 1A on the +5VSB lead. If this requirement is not met, the system does not power up. The total current consumed must NOT exceed the power supply capability (+5VSB) whether under normal condition or in sleep mode.



6. Bass Center Setting (2x3 pin BCS1, BCS2)

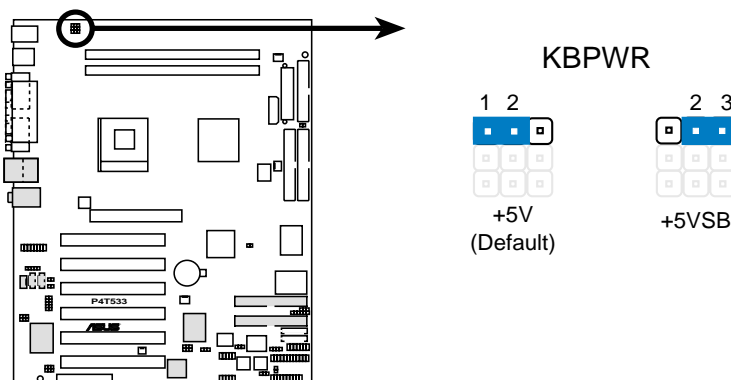
Use these jumpers in conjunction with the 6 channel Audio Driver and to adjust output for 4 or 6 speaker audio. No audio standard exists for the three pick-up surfaces on male audio jacks; therefore, it may be necessary to switch jumpers from the default position Center/Bass to Bass/Center in order to reroute signals among the internal leads of the *Line-In*, *Line-Out*, *Mic* female sockets. Make sure a test is made using the Audio Driver software setup available on the Support CD.



P4T533 Bass Center Setting

7. Keyboard Wake Up (3 pin KBPWR)

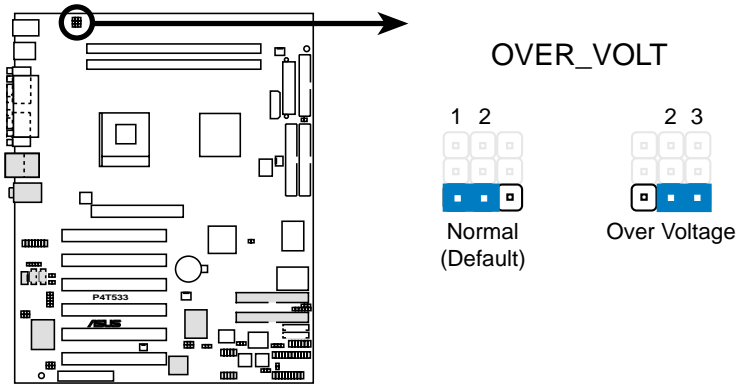
This allows you to disable or enable the keyboard power up function. The default is set to [1-2], +5V, which disables keyboard power up. Select +5VSB to enable keyboard power up (by pressing <Spacebar>). This feature requires an ATX power supply that can supply at least 300mA on the +5VSB lead. The default is set to *Enable*. (The computer will not power ON if you set this to *Enable* but do not have the correct ATX power supply. **NOTE:** This jumper must be set in conjunction with the BIOS setting: in 4.5.1 *Power Up Control:Wake On PS2 Keyboard*).



P4T533 Keyboard Power Setting

8. CPU Over Voltage Setting (3 pin OVER_VOLT)

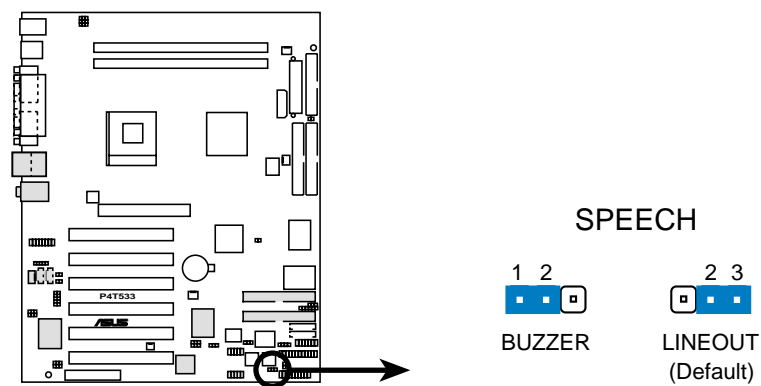
This jumper controls the voltage to the CPU. The default setting, [1-2], permits extra voltage for the CPU through BIOS settings. Resetting the jumper to [2-3] does not permit extra voltage to protect the CPU. It is not recommended to use extra voltage because it may prematurely shorten the life of the CPU and result in poor performance.



P4T533 OVER_VOLT Setting

9. Speaker Selector (3 pin SPEECH)

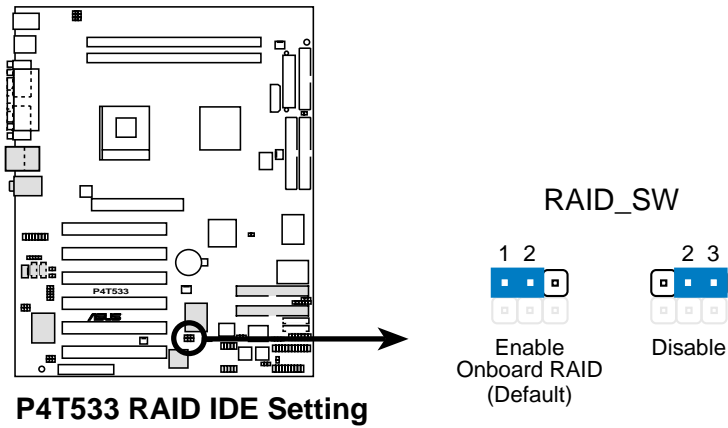
This jumper specifies which speaker to use for the ASUS POST Reporter function. Set to pins [1-2] to use the internal buzzer (usually included in the chassis). Retain the default, pins [2-3] to feed an external speaker to the Line-out jack (lime color).



P4T533 Speaker Selector

10. RAID IDE Setting (3 pin RAID_SW)

This jumper controls the IDE circuit to enable or disable the RAID protocol. By default, [1-2], the system enables the use of RAID. Reset the jumper to [2-3] to entirely disable the use of the RAID protocol.

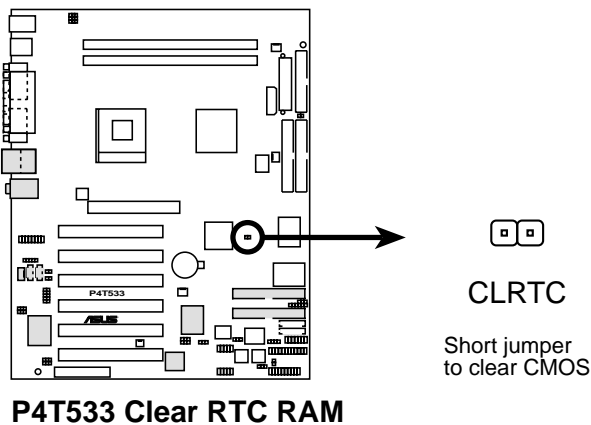


11. Clear RTC RAM (2 pin CLRRTC)

This jumper allows you to clear the Real Time Clock (RTC) RAM in CMOS. You can clear the CMOS memory of date, time, and system setup parameters by erasing the CMOS RTC RAM data. The RAM data in CMOS, that include system setup information such as system passwords, is powered by the onboard button cell battery.

To erase the RTC RAM:

1. Turn OFF the computer and unplug the power cord.
2. Remove the battery.
3. Short the jumper by putting on the jumper cap.
4. Remove the jumper cap.
5. Re-install the battery.
6. Plug the power cord and turn ON the computer.
7. Hold down the key during the boot process and enter BIOS setup to re-enter data.



2.8 Connectors

This section describes and illustrates the internal connectors on the motherboard.



WARNING! Some pins are used for connectors or power sources. These are clearly distinguished from jumpers in the Motherboard Layout. Placing jumper caps over these connector pins will cause damage to your motherboard.

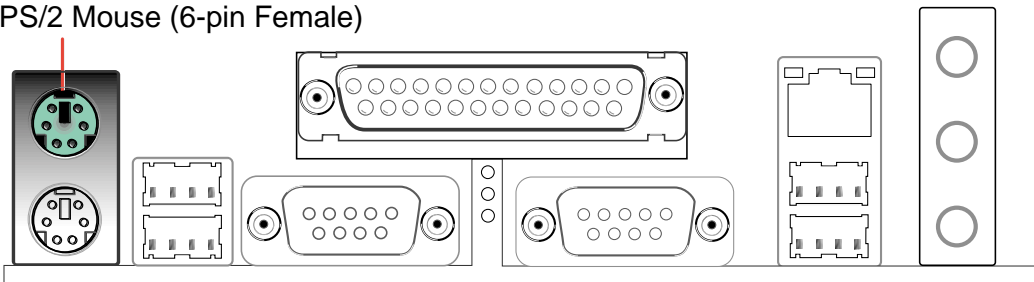


IMPORTANT! Ribbon cables should always be connected with the red stripe to Pin 1 in the connector socket.

1. PS/2 Mouse Port (Green 6-pin PS2KBMS)

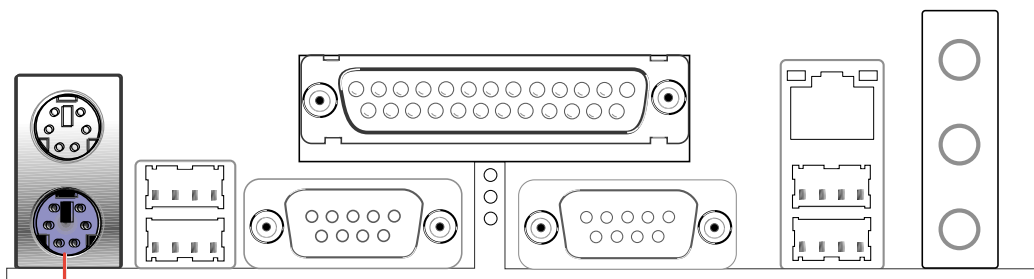
The system automatically directs IRQ12 to the PS/2 mouse if one is detected. If no mouse is detected, IRQ12 become available to expansion cards. See **PS/2 Mouse Function Control** in **4.4 Advanced Menu**.

PS/2 Mouse (6-pin Female)



2. PS/2 Keyboard Port (Purple 6-pin PS2KBMS)

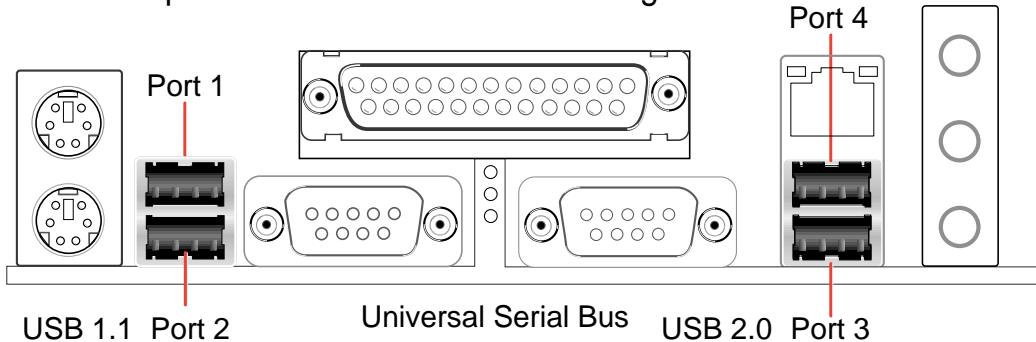
This connection is for a standard keyboard using an PS/2 plug (mini DIN). This connector does not allow standard AT size (large DIN) keyboard plugs. You may use a DIN to mini DIN adapter on standard AT keyboards.



PS/2 Keyboard (6-pin Female)

3. Universal Serial Bus Ports: USB 1.1 and USB 2.0 (four x 4-pin USB)

Four USB ports are available for connecting USB devices.

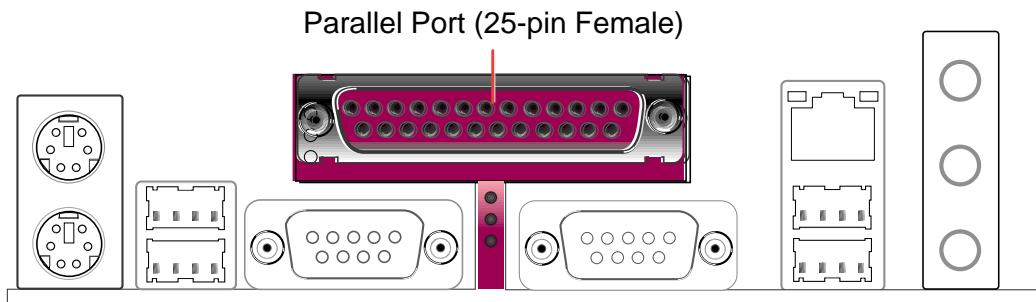


4. Parallel Port (Burgundy 25-pin PRINTER)

You can enable the parallel port and choose the IRQ through **Onboard Parallel Port** (see **4.4.2 I/O Device Configuration**).

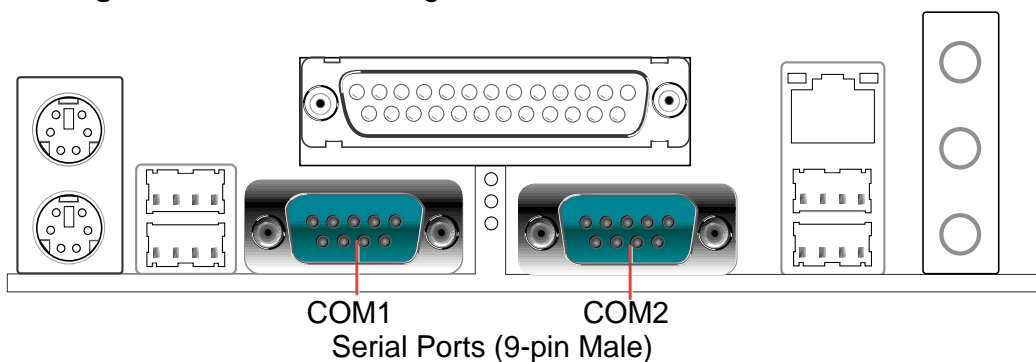


NOTE! Serial printers must be connected to the serial port.



5. Serial Ports (Teal/Turquoise Two x 9-pin COM1)

Two serial ports can be used for pointing devices or other serial devices. To enable these ports, see **Onboard Serial Port 1** in **4.4.2 I/O Device Configuration** for the settings.

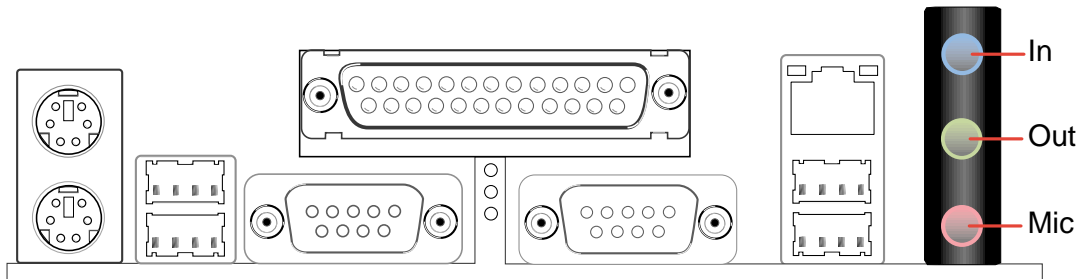


6. Audio Connectors (Three 1/8" AUDIO) (optional)

The **Line Out** (lime) connects a headphone or speakers. The **Line In** (light blue) connects a tape players or other audio sources. The **Mic** (pink) connects a microphone.

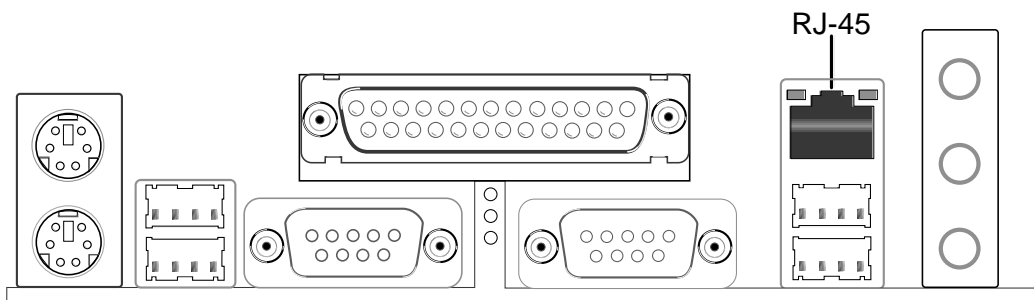


NOTE! The functions of the audio connectors Line Out, Line In, and Mic change when the 6-channel audio feature is enabled. Refer to **Chapter 5. SOFTWARE SETUP**.



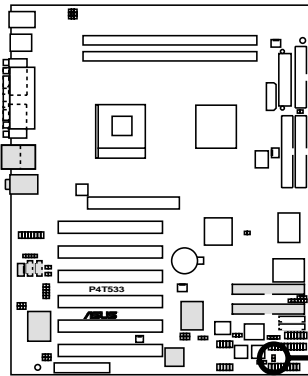
7. Fast-Ethernet Port Connector (RJ45) (optional)

This RJ45 connector is located on top of the USB Ports 0 & 1. The RJ45 supports connectivity for local area networks.



8. IDE Activity LED (2-pin IDE_LED)

This connector supplies power to the hard disk activity LED. The read or write activities of any device connected to the primary or secondary IDE connector cause this LED to light up.



TIP: If the case-mounted LED does not light, try reversing the 2-pin plug.

IDE_LED



P4T533 IDE Activity LED



Some pins are used for connectors or power sources. These are clearly distinguished from jumpers in the Motherboard Layout. Placing jumper caps over these connector pins will cause damage to your motherboard.

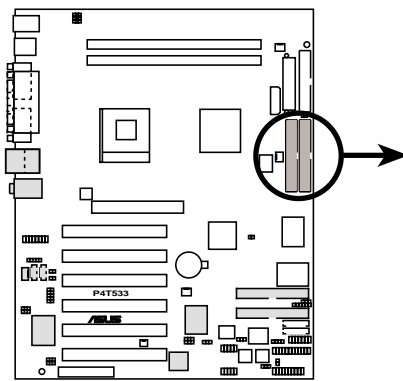


Always connect ribbon cables with the red stripe to Pin 1 on the connectors. Pin 1 is usually on the side closest to the power connector on hard drives and CD-ROM drives, but may be on the opposite side on floppy disk drives.

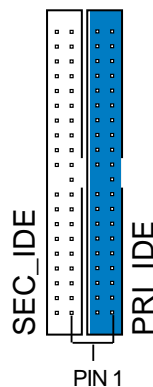
9. Primary (Blue) / Secondary (Black) IDE Connectors

(Two 40-1 pin PRI_IDE and SEC_IDE)

The Primary and Secondary IDE connectors support the IDE hard disk ribbon cables supplied with the motherboard. Connect the cable's blue connector to the motherboard's primary IDE connector (recommended) or the secondary IDE connector. Connect the opposite end of the cable to your UltraDMA133/100/66 device (hard disk drive). If a second hard disk drive is connected, you may reset its jumper to Slave or Master/Slave mode. Non-UltraDMA133/100/66 devices should be connected to the secondary IDE connector. BIOS supports specific device bootup (**see 4.6 Boot Menu.**) UltraDMA/133 is backward compatible with DMA100/66/33 and with all with existing DMA devices and systems.



P4T533 IDE Connectors



NOTE: Orient the red markings (usually zigzag) on the IDE ribbon cable to PIN 1.



IMPORTANT! UltraDMA100 and UltraDMA133 IDE devices require a 40-pin 80-conductor cable.

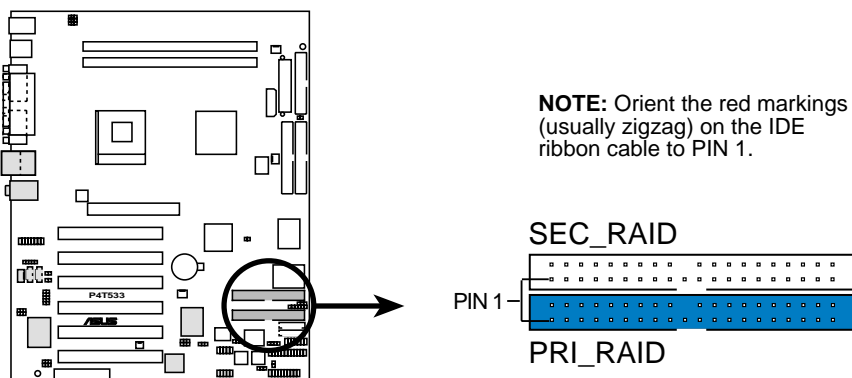
10. Primary RAID IDE (Blue) / Secondary RAID IDE (Black) IDE Connectors (Two 40-1 pin PRI_RAID and SEC_RAID)

The P4T533 motherboard is supplied with two extra onboard IDE connectors: one Promise IDE1 and one Promise IDE2. Use them to setup the RAID 0 or 1 arrays and to support extra ATAPI devices. A total of eight hard-disks, two on each IDE connector, can be connected to the A7V333; but, only two can function in a RAID array. **See 5.4 Software Setup** for more information about setting up a RAID array.

The Primary and Secondary RAID IDE connectors support the IDE hard disk ribbon cables supplied with the motherboard. Connect the cable's blue connector to the motherboard's primary IDE connector (recommended) or the secondary IDE connector. Connect the opposite end of the cable to your UltraDMA133/100/66 device (hard disk drive). If a second hard disk drive is connected, you may reset its jumper to Slave or Master/Slave mode. Non-UltraDMA133/100/66 devices should be connected to the secondary IDE connector. BIOS supports specific device bootup (**see 4.6 Boot Menu.**) UltraDMA/133 is backward compatible with DMA100/66/33 and with all with existing DMA devices and systems.



IMPORTANT! UltraDMA100 and UltraDMA133 IDE devices require a 40-pin 80-conductor cable and RAID arrays *only operate* with such cables.



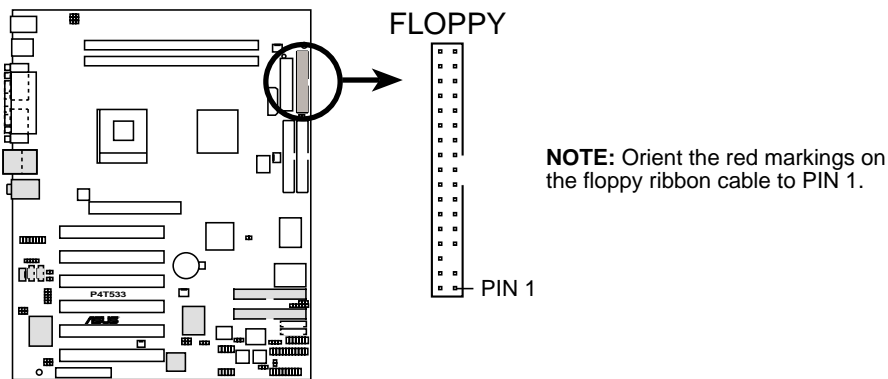
P4T533 RAID Connectors



NOTE! For high-performance and RAID 0 or 1 set ups, always setup two hard disks with *two separate* ribbon cables, one for the primary IDE connector and another for the secondary IDE connector. Usually, both disks must be set to the Master settings. Also, you may install one operating system on an IDE drive and another on a SCSI drive and select the boot disk through BIOS. (**See 4.6 Boot Menu.**) Do not connect any other types of IDE devices to the Promise IDE connectors; they support hard disk drive devices only.

11. Floppy disk drive connector (34-1 pin FLOPPY)

This connector supports the provided floppy drive ribbon cable. After connecting one end to the motherboard, connect the other end to the floppy drive. (Pin 5 is removed to prevent incorrect insertion when using ribbon cables with pin 5 plug).



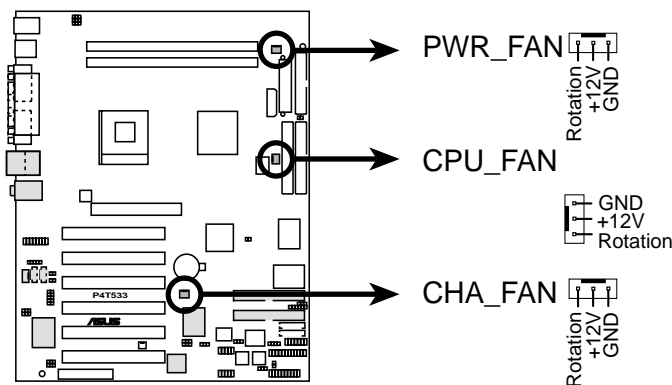
P4T533 Floppy Disk Drive Connector

12. Power, CPU and Chassis Fan Connectors (Three 3-pin PWR_, CPU_, CHA_FAN)

The two fan connectors support cooling fans of 350mA (4.2 Watts) or a total of 1A (12W) at +12V. Orient the fans so that the heat sink fins allow air flow to go across the onboard heat sinks instead of the expansion slots. The fan wiring and plug may vary depending on the fan manufacturer. Connect the fan cable to the connector matching the black wire to the ground pin.



Do not forget to connect the fan cables to the fan connectors. Lack of sufficient air flow within the system may damage the motherboard components. These are not jumpers! DO NOT place jumper caps on the fan connectors!



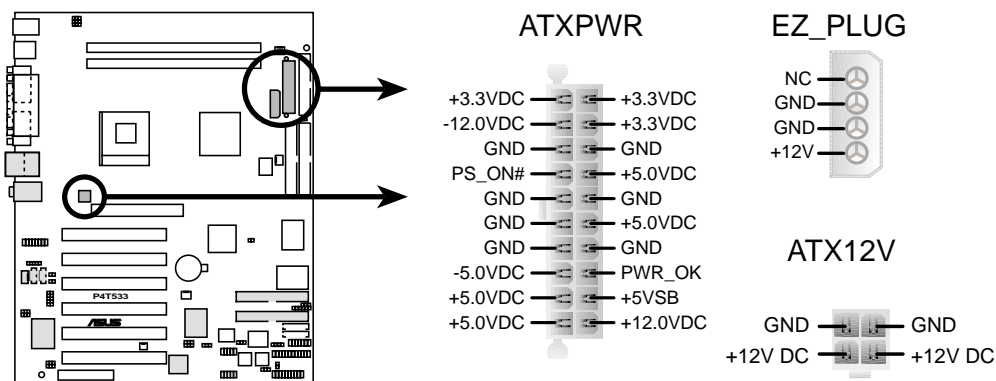
P4T533 12-Volt Fan Connectors

13. ATX Power Connectors (20-pin ATXPWR, 4-pin 12V EZ_PLUG, 4-pin ATX12V)

These connectors are intended for an ATX 12V power supply. The plugs from the power supply are designed to fit these connectors in only one orientation. Find the proper orientation and push down firmly until the connectors completely fit. In addition to the 20-pin ATXPWR connector, this motherboard requires that you connect the 4-pin ATX +12V power plug to provide sufficient power to the CPU.



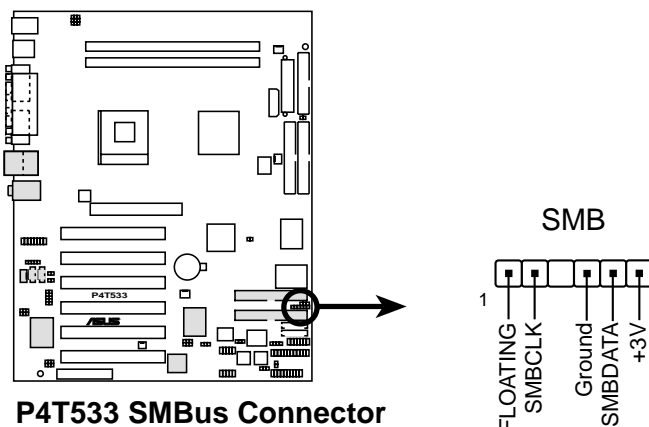
Make sure that your ATX 12V power supply can provide at least 8A on the +12V lead and at least 1A on the +5-volt standby lead (+5VSB). The minimum recommended wattage is 230W, or 300W for a fully configured system. The system may become unstable and may experience difficulty powering up if the power supply is inadequate.



P4T533 ATX & Auxiliary Power Connectors

14. SMBus Connector (6-1 pin SMB)

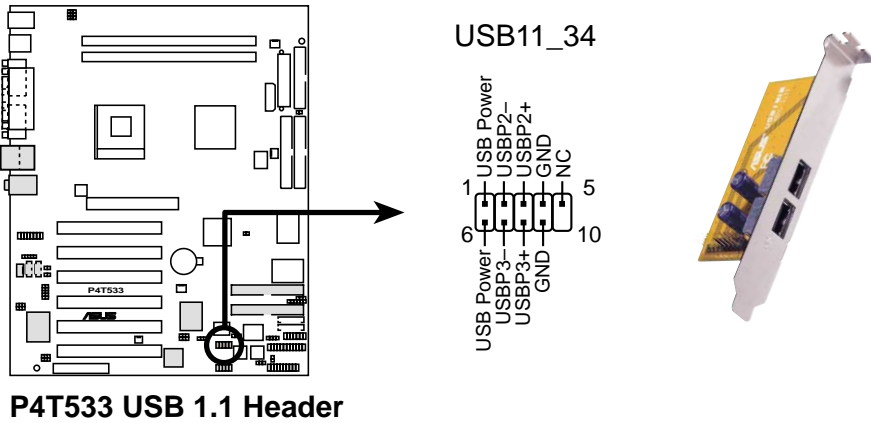
This connector supports SMBus (System Management Bus) devices. SMBus devices communicate by means of the SMBus with an SMBus host and/or other SMBus devices. SMBus is a multi-device bus that permits multiple chips to connect to the same bus and enable each one to act as a master by initiating data transfer.



P4T533 SMBus Connector

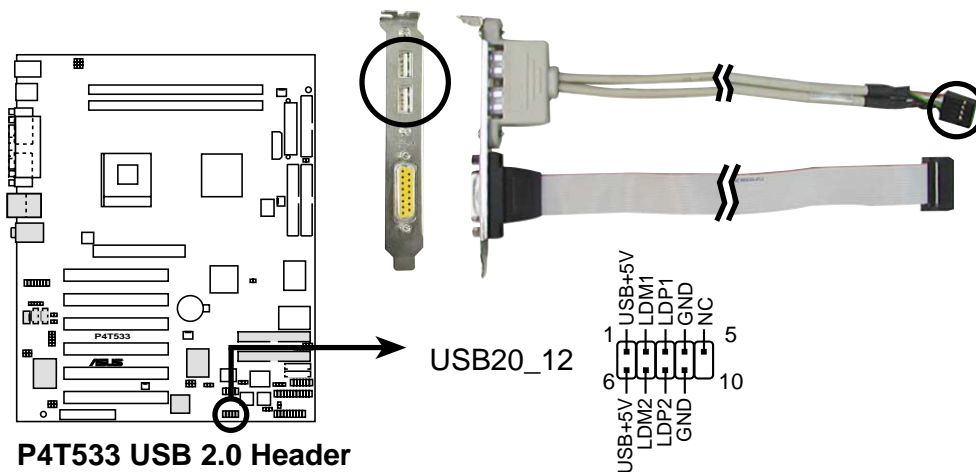
15. USB Header (10-1 pin USB11_34)

If the USB port connectors on the rear panel are inadequate, a USB header is available for additional USB port connectors. Connect the bundled 2-port USB connector set to this header and mount the USB bracket to an open slot in the chassis.



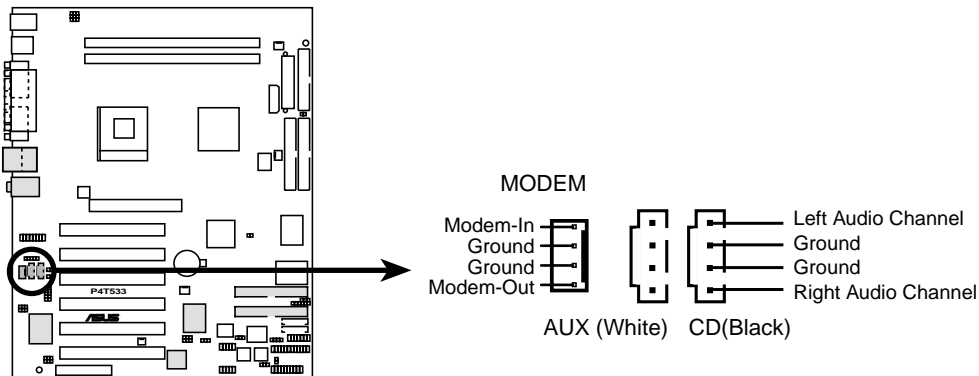
16. USB 2.0 Header (10-1 pin USB20_12)

An additional USB header is available to support the USB 2.0 standard protocol.



17. Internal audio connectors (Three 4-pin CD, AUX, MODEM) (optional)

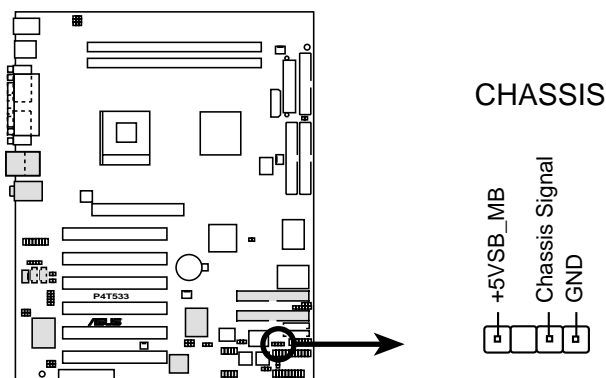
These connectors allow you to receive stereo audio input from sound sources such as a CD-ROM, TV tuner, or MPEG card. The MODEM connector allows the onboard audio to interface with a voice modem card with a similar connector. It also allows the sharing of mono_in (such as a phone) and a mono_out (such as a speaker) between the audio and a voice modem card.



P4T533 Internal Audio Connectors

18. Chassis Open Alarm Lead (4-1 pin CHASSIS)

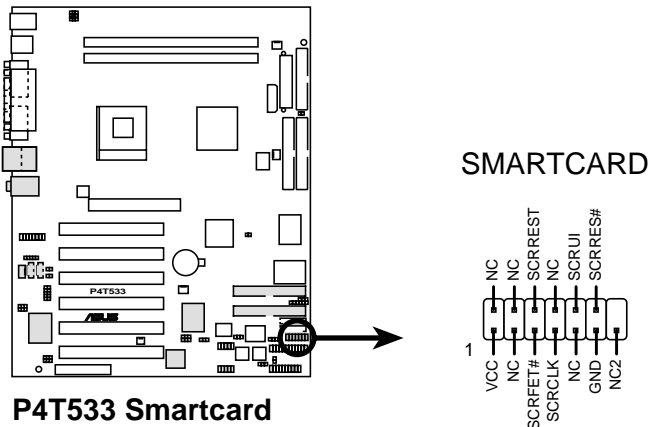
This lead is intended for a chassis that supports intrusion detection. The lead requires an external detection mechanism such as a chassis intrusion monitor/sensor or microswitch. When any chassis component is removed, the sensor is triggered and a high-level signal is sent to this lead to record a chassis intrusion event. The event is then be processed by software such as LDCM. When not using the chassis intrusion lead, place a jumper cap over the pins to close the circuit. Removing the jumper cap prevents the system from booting up.



P4T533 Chassis Alarm Lead

19. Smart Card Reader Connector (14-1 pin SMARTCON) (Optional)

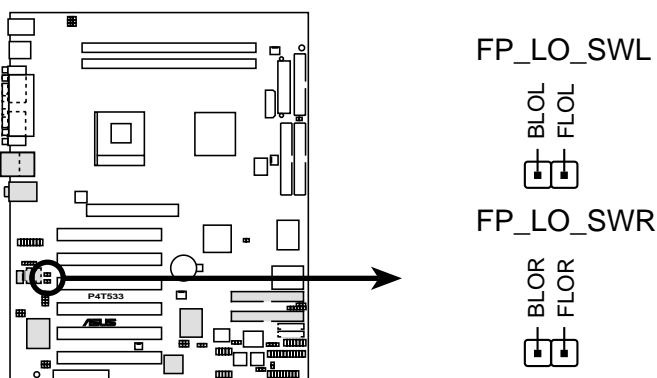
This connector accommodates a Smart Card Reader that enables convenient transactions involving finance, health care, telephony, and travel services using a Smart Card user interface software. When using this connector, enable the field: "Onboard Smart Card Reader" in section "4.4.2 I/O Device Configuration."



P4T533 Smartcard

20. Line-out Selector Jumpers (Two 2 pin FP_LO_SWL, FP_LO_SWR)

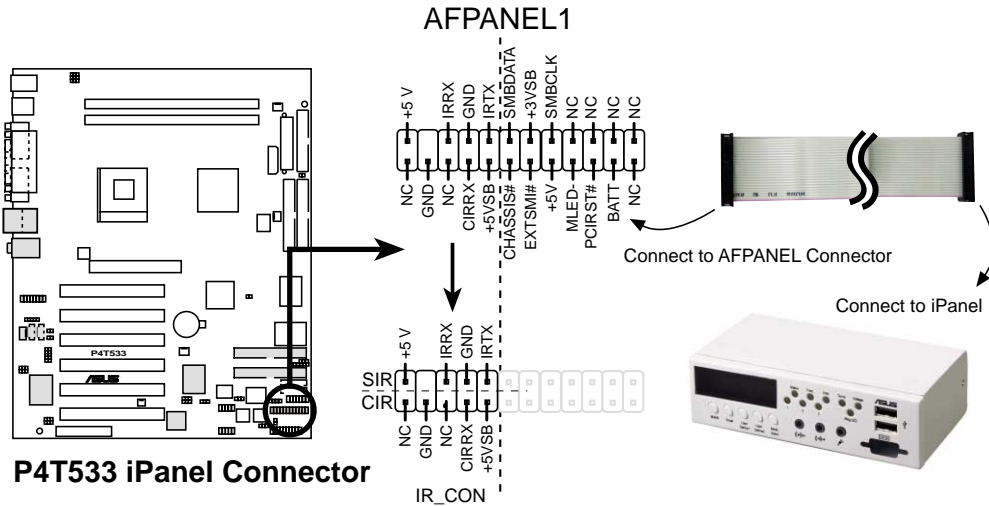
By default, these jumpers are shorted (jumpers on) to route the signal from the audio controller to the rear panel Line Out jack to make it available for audio out devices such as speakers or a headphone. If you connect the Intel Front Panel audio cable to the IPANEL connector, (see above) then remove the caps from these two jumpers to permit automatic switching of audio signals between the rear panel Line Out jack and the Intel audio cable.



P4T533 Internal Line Out Connectors

21. ASUS iPanel / Infrared Connector (24-1 pin AFPANEL)

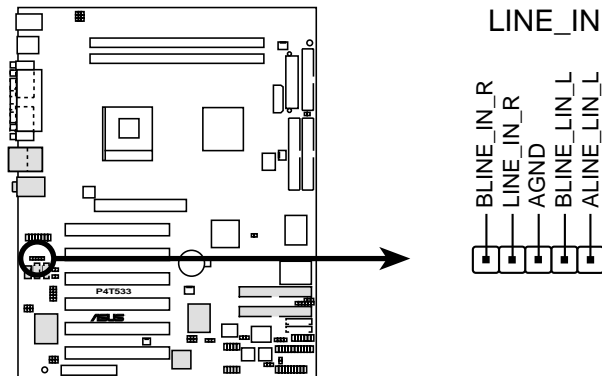
This connector supports an optional ASUS iPanel, an easy to access drive bay with front I/O ports, status LEDs, and space reserved for a hard disk drive. Alternatively, if not using an ASUS iPanel, connect an optional wireless transmitting and receiving infrared module to the SIR connector for wireless transmitting/receiving and remote control functions through an external infrared module.



22. Front Panel Audio Line In Header (5 pin LINE_IN)

This connector supports audio input on left and right stereo audio channels.

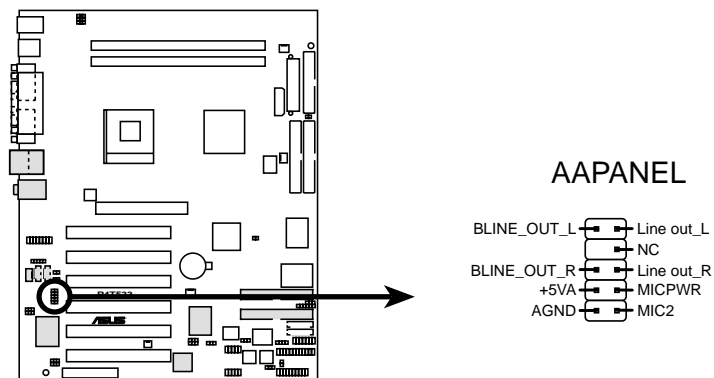
NOTE: The motherboard ships with Jumper caps over pins 1-2 and 4-5. Remove them **only** when making audio input connections.



P4T533 LINE_IN Connector

23. Front Panel Audio Connector (10-1 pin AAPANEL)

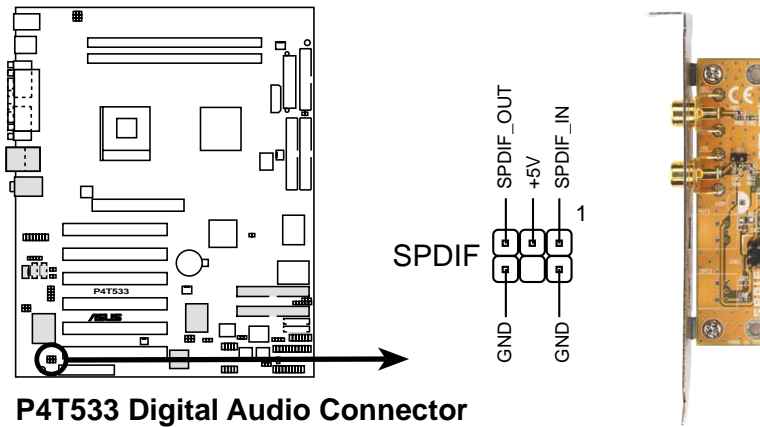
This is an interface connector for convenient front panel connections and audio control.



P4T533 Front Panel Audio Connector

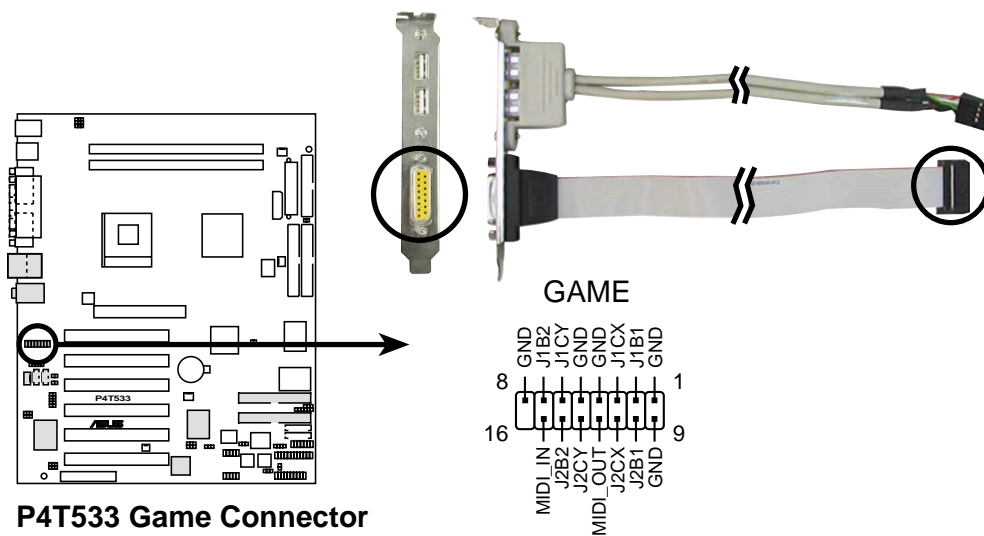
24. Digital Audio Connector (4-1 pin SPDIF) (Optional)

This connector connects an S/PDIF audio module that allows digital instead of analog sound output. Connect one end of the audio cable to the S/PDIF Out connector on the motherboard, and the other end to the S/PDIF module.



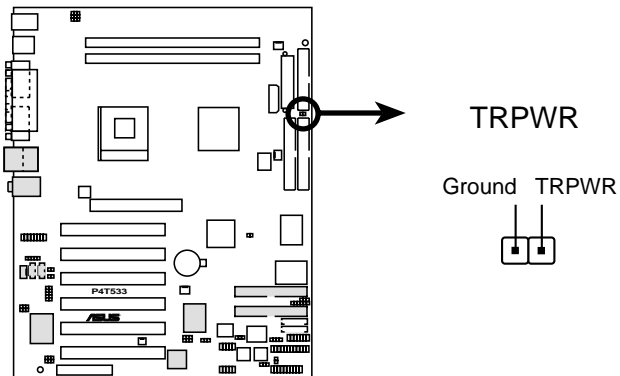
25. Game Header (16-1 pin GAME)

This header supplies an external standard game connector to support joysticks and gamepads.



26. Power Supply Thermal Sensor Connector (2 pin TRPWR)

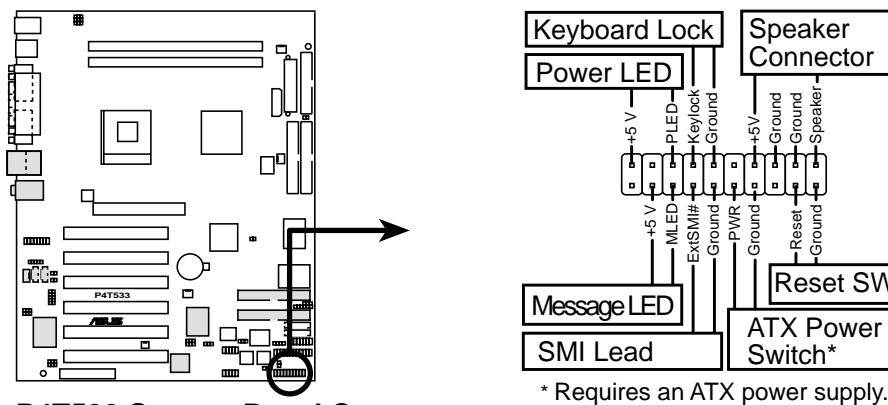
If the power supply supports thermal monitoring, attach the thermal sensor cable to this connector.



P4T533 Power Supply Thermal Connector

Panel Connector (20 pin PANEL)

The following diagram illustrates items 27-33:



P4T533 System Panel Connectors

27. System Power LED Lead (3-1 pin PLED)

This connector supplies the system power LED. The LED lights up when the system power is on, and the LED blinks when the system is in sleep or soft-off mode.

28. Keyboard Lock Switch Lead (2 pin KEYLOCK)

This 2-pin connector supplies the case-mounted key switch for keyboard locking.

29. System Warning Speaker Lead (4 pin SPEAKER)

This connector supplies the case-mounted speaker to sound system beeps and warnings.

30. System Message LED Lead (2 pin MLED)

This connector supports the system message LED to indicate receipt of messages from a fax/modem. The normal status for this LED is ON, when there is no incoming data signal. The LED blinks when data is received. The system message LED feature requires an ACPI OS and driver support.

31. System Management Interrupt Lead (2 pin SMI)

This connector permits switching to suspend mode, or “Green” mode: system activity is decreased to conserve power and system components. Attach the case-mounted suspend switch this 2-pin connector.

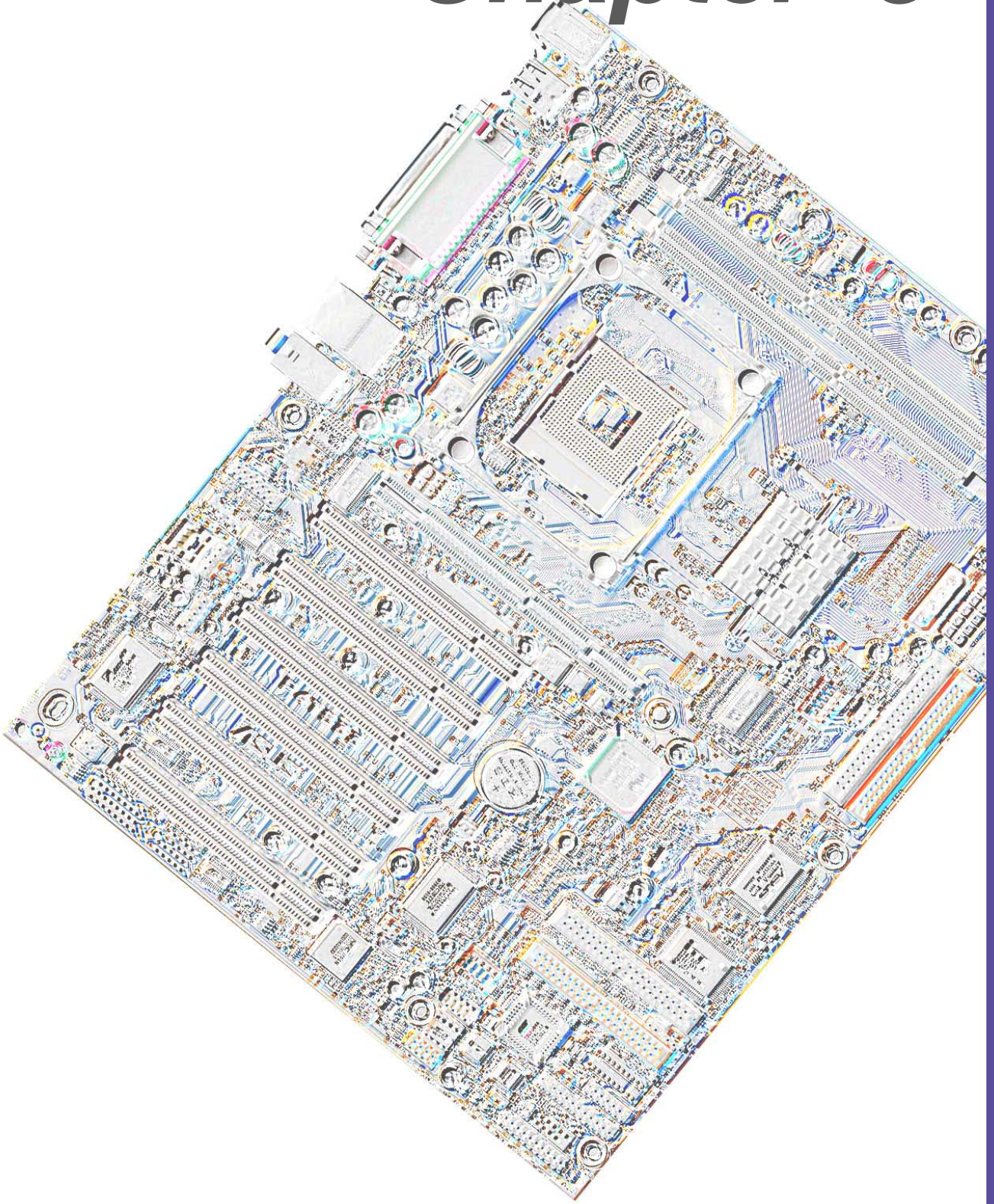
32. ATX Power Switch / Soft-Off Switch Lead (2 pin PWRSW)

The system power is controlled by a momentary switch attached to this connector. Pressing the button switches the system between ON and SLEEP, or ON and SOFT OFF, depending on the BIOS or OS settings. Pressing the button while in the ON mode for more than 4 seconds turns the system off.

33. Reset Switch Lead (2-pin RESET)

This connector supports the case-mounted reset switch for rebooting the system without turning off the power switch.

Chapter 3



Powering up

3.1 Starting up for the first time

1. After making all the connections, replace the system case cover.
2. Be sure that all switches are off.
3. Connect the power cord to the power connector at the back of the system chassis.
4. Connect the power cord to a power outlet that is equipped with a surge protector.
5. Turn on the devices in the following order:
 - a. Monitor
 - b. External SCSI devices (starting with the last device on the chain)
 - c. System power (if you are using an ATX power supply, you need to switch on the power supply as well as press the ATX power switch on the front of the chassis).
6. After applying power, the power LED on the system front panel case lights up. For ATX power supplies, the system LED lights up when you press the ATX power switch. If your monitor complies with “green” standards or if it has a “power standby” feature, the monitor LED may light up or switch between orange and green after the system LED turns on. The system then runs the power-on tests. While the tests are running, the BIOS beeps or additional messages appear on the screen. If you do not see anything within 30 seconds from the time you turned on the power, the system may have failed a power-on test. Check the jumper settings and connections or call your retailer for assistance.

Award BIOS Beep Codes

Beep	Meaning
One short beep when displaying logo	No error during POST
Long beeps in an endless loop	No DRAM installed or detected
One long beep followed by three short beeps	Video card not found or video card memory bad
High frequency beeps when system is working	CPU overheated; System running at a lower frequency



You will not hear the BIOS beeps when the ASUS POST Reporter is enabled. You will hear the vocal POST messages instead.

7. At power on, hold down <Delete> to enter BIOS Setup. Follow the instructions in Chapter 4.

3.2 Vocal POST Messages

This motherboard includes the Winbond speech controller to support a special feature called the ASUS POST Reporter™. This feature gives you vocal POST messages and alerts to inform you of system events and boot status. In case of a boot failure, you will hear the specific cause of the problem.

These POST messages are customizable using the Winbond Voice Editor software that came with your package. You can record your own messages to replace the default messages.

Following is a list of the default POST messages and their corresponding actions, if any.

POST Message	Action
No CPU installed	<ul style="list-style-type: none">• Install an Intel Pentium 4 478 Processor into the CPU socket.
System failed CPU test	<ul style="list-style-type: none">• Check the CPU if properly installed.• Call ASUS technical support for assistance. See the “ASUS contact information” on page viii.
System failed memory test	<ul style="list-style-type: none">• Install 232-pin unbuffered RIMM4200/3200 RIMMs into the RIMM sockets.• Check if the RIMMs are properly installed.• Make sure that your RIMMs are not defective.• Refer to section “2.5 System memory” for instruction on installing a RIMM.
System failed VGA test	<ul style="list-style-type: none">• Install a PCI VGA card into one of the PCI slots, or a 1.5V AGP card into the AGP slot.• Make sure that your VGA/AGP card is not defective.
System failed due to CPU over-clocking	<ul style="list-style-type: none">• In JumperFree mode, check your CPU settings in BIOS and make sure you only set to the recommended settings. See section “4.4 Advanced menu.”• In jumper mode, refer to section “2.7 Jumpers.”

POST Message	Action
No keyboard detected	<ul style="list-style-type: none"> • Check your keyboard if properly connected to the purple PS/2 connector on the rear panel. • See section “1.4 Identifying the motherboard components” for the location of the connector.
No floppy disk detected	<ul style="list-style-type: none"> • Make sure you have connected a floppy disk to the floppy disk connector on the motherboard. • See section “2.8 Connectors.”
No IDE hard disk detected	<ul style="list-style-type: none"> • Make sure you have connected an IDE hard disk drive to the one of the IDE connectors on the motherboard. • See section “2.8 Connectors.” • If you have connected the IDE device to the optional onboard IDE/RAID controller connector(s), then ignore this message.
CPU temperature too high	<ul style="list-style-type: none"> • Check CPU fan if working properly.
CPU fan failed	<ul style="list-style-type: none"> • Check the CPU fan and make sure it turns on after you applied power to the system.
CPU voltage out of range	<ul style="list-style-type: none"> • Check your power supply and make sure it is not defective. • Call ASUS technical support for assistance. See the “ASUS contact information” on page viii.
System completed Power-On Self Test	<ul style="list-style-type: none"> • No action required
Computer now booting from operating system	<ul style="list-style-type: none"> • No action required



You may disable the ASUS POST Reporter in the BIOS setup. See section “4.4.2 I/O Device Configuration”.

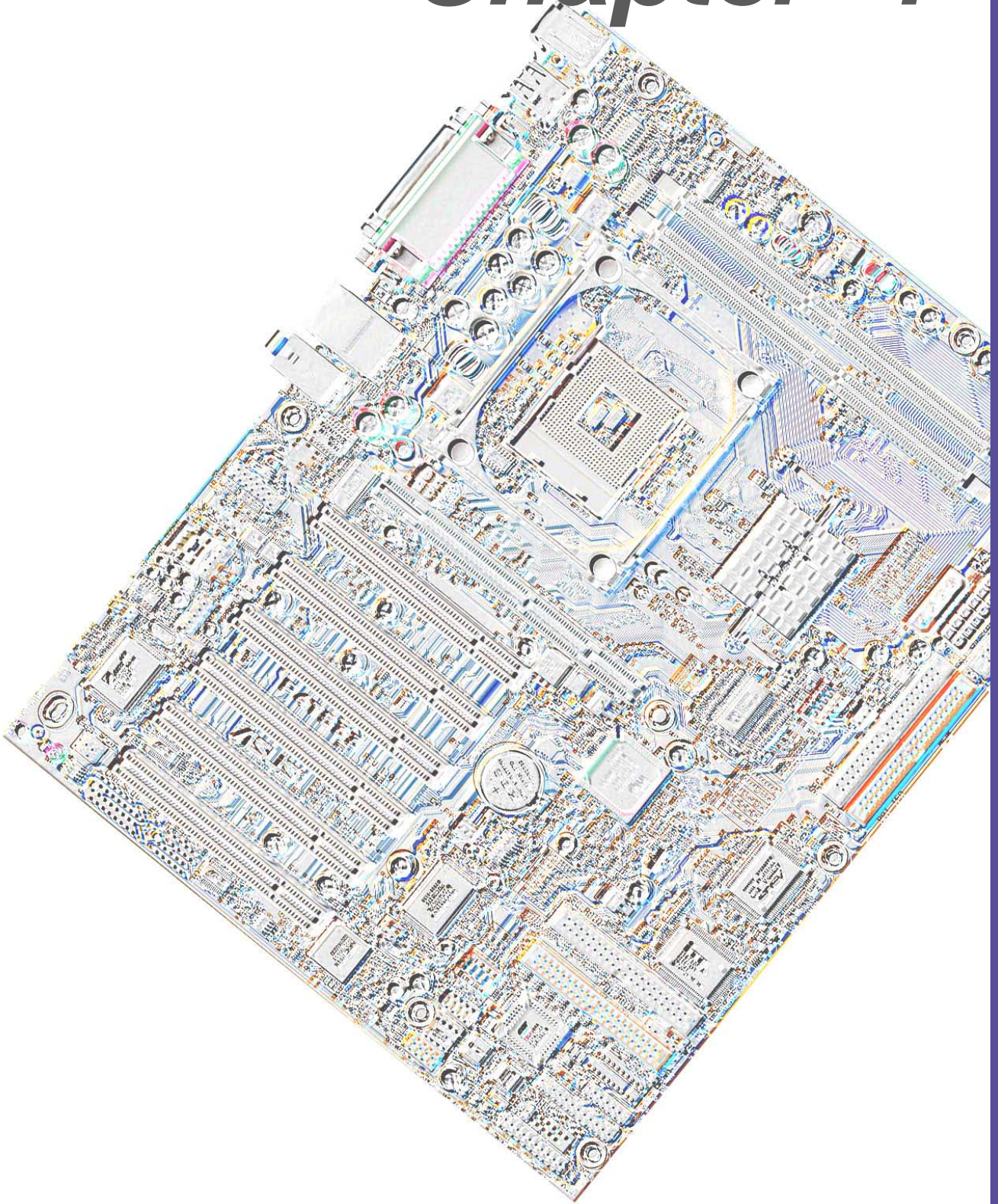
3.3 Powering off the computer

You must first exit the operating system and shut down the system before switching off the power. For ATX power supplies, you can press the ATX power switch after exiting or shutting down the operating system. If you use Windows 95/98/2000/XP, click the Start button, click Shut Down, then click the OK button to shut down the computer. The power supply should turn off after Windows shuts down.



The message “You can now safely turn off your computer” does not appear when shutting down with ATX power supplies.

Chapter 4



BIOS setup

4.1 Managing and updating your BIOS



It is recommended that you save a copy of the motherboard's **original BIOS** to a bootable floppy disk in case you need to reinstall the original BIOS later.

4.1.1 Using ASUS EZ Flash to update the BIOS

The ASUS EZ Flash feature allows you to easily update the BIOS without having to go through the long process of booting from a diskette and using a DOS-based utility. The EZ Flash is built-in the BIOS firmware so it is accessible by simply pressing <Alt> + <F2> during the Power-On Self Tests (POST).

Follow these steps to update the BIOS using ASUS EZ Flash.

1. Download the latest BIOS file from the ASUS website (see ASUS contact information on page viii). Save the file to a floppy disk.



Write down the BIOS file name on a piece of paper. You need to type the **exact BIOS file name** at the EZ Flash screen.

2. Reboot the computer.
3. To use EZ Flash, press <Alt> + <F2> during POST to display the following screen.

```
ASUS EZ Flash V1.00
Copyright (C) 2002, ASUSTeK COMPUTER INC.

[Onboard BIOS Information]
BIOS Version      : ASUS P4T533 ACPI BIOS Revision 1002
BIOS Model        : P4T533
BIOS Built Date   : 04/16/02

Please Enter File Name for NEW BIOS: _
*Note: EZ Flash will copy file from A:\, Press [ESC] to reboot
```



The BIOS information in the above screen is for reference only. What you see on your screen may not be exactly the same as shown.

4. Insert the disk that contains the new BIOS file into the floppy drive. You will receive the error message, "**WARNING! Device not ready.**" if you proceed to step 5 without the disk in the drive.

5. At the prompt, “**Please Enter File Name for NEW BIOS: _**”, type in the BIOS file name that you downloaded from the ASUS website, then press <Enter>.

EZ Flash will automatically access drive A to look for the file name that you typed. When found, the following message appears on screen.

```
[BIOS Information in File]
BIOS Version: P4T533 Boot Block

WARNING! Continue to update the BIOS (Y/N)? _
```

If you accidentally typed in a wrong BIOS file name, the error message, “**WARNING! File not found.**” appears. Press <Enter> to remove the message, then type in the correct file name. Press <Enter>.

6. At the above prompt, type **Y** to continue with the update process. Pressing **N** exits the EZ Flash utility and reboots the system without updating the BIOS.

The following prompts appear if you pressed **Y**.

```
Flash Memory: SST 49LF004

1. Update Main BIOS area      (Y/N)? _
2. Update Boot Block area     (Y/N)? _
```

7. For item 1, “**Update Main BIOS area,**” press **Y** to update.
8. For item 2, “**Update Boot Block area,**” press **Y** to update.



DO NOT shutdown or reset the system while updating the BIOS boot block area! Doing so may cause system boot failure.

9. When the update process is done, the message, “**Press a key to reboot**” appears. Press any key to reboot the system with the new BIOS.

4.1.2 Using AFLASH from a Floppy Disk

1. Type `FORMAT A:/S` at the DOS prompt to create a bootable system disk. DO NOT copy `AUTOEXEC.BAT` and `CONFIG.SYS` to the disk.
2. Type `COPY D:\AFLASH\AFLASH.EXE A:\` (assuming D is your CD-ROM drive) to copy `AFLASH.EXE` to the boot disk you created.



NOTE! AFLASH works only in DOS mode. It does not function in the DOS prompt within Windows, and does not function with certain memory drivers that may be loaded when you boot from the hard drive. It is recommended that you reboot using a floppy disk. Use only a DOS 6.2, WIN95 / WIN98 boot disk.

3. Reboot the computer from the floppy disk.



NOTE! BIOS setup must specify “Floppy” as the first item in the boot sequence.

4. In DOS mode, type `A:\AFLASH <Enter>` to run AFLASH.

```
ASUS ACPI BIOS
FLASH MEMORY WRITER V1.29
Copyright (C) 1994-99, ASUSTeK COMPUTER INC.

Flash Memory: Winbond W29C020 or SST 29EE020 or Intel B2002AB

Current BIOS Version: ASUS XXX-XX ACPI BIOS Revision 100X
BIOS Model           : XXX-XX
BIOS Built Date      : 09/25/98

Choose one of the followings:

1. Save Current BIOS To File
2. Update BIOS Including Boot Block and ESCD

Enter choice: [1]

Press ESC To Exit
```



IMPORTANT! If the word “unknown” appears after Flash Memory:, the memory chip is either not programmable or is not supported by the ACPI BIOS and therefore, cannot be programmed by the Flash Memory Writer utility.

5. Select 1. Save Current BIOS to File from the Main menu and press `<Enter>`. The Save Current BIOS To File screen appears.

```
Save Current BIOS To File

Flash Memory: Winbond W29C020 or SST 29EE020 or Intel B2002AB

Current BIOS Version: ASUS XXX-XX ACPI BIOS Revision 100X
BIOS Model           : XXX-XX
BIOS Built Date      : 09/25/98

Please Enter File Name to Save: XXX-XX.XXX

BIOS Saved Successfully
Press ESC To Continue
```

6. Type a filename and the path, for example, `A:\XXX-XX.XXX`, then press `<Enter>`.

4.1.3 Updating BIOS procedures



Update the BIOS only if you have problems with the motherboard and you are sure that the new BIOS revision will solve your problems. Careless updating may result to more problems with the motherboard!

1. Download an updated ASUS BIOS file from the Internet (see the ASUS website: *www.asus.com*) and save to the boot floppy disk you created earlier.
2. Boot from the floppy disk.
3. At the “A:\” prompt, type AFLASH and then press <Enter>.
4. At the Main Menu, type 2 then press <Enter>. The Update BIOS Including Boot Block and ESCD screen appears.
5. Type the filename of your new BIOS and the path, for example, A:\XXX-XX.XXX, then press <Enter>.

To cancel this operation, press <Enter>.

```
Update BIOS Including Boot Block and ESCD
Flash Memory: Winbond W29C020 or SST 29EE020 or Intel 82802AB
Current BIOS Version: ASUS XXX-XX ACPI BIOS Revision 100X
BIOS Model          : XXX-XX
BIOS Built Date     : 09/25/98
Please Enter File Name for NEW BIOS: A:\XXX-XX.XXX
```

6. When prompted to confirm the BIOS update, press Y to start the update.

```
Update BIOS Including Boot Block and ESCD
Flash Memory: Winbond W29C020 or SST 29EE020 or Intel 82802AB
BIOS Version
[CURRENT ] ASUS XXX-XX ACPI BIOS Revision 100X
[Test.awd] ASUS XXX-XX ACPI BIOS Revision 100X
BIOS Model
[CURRENT ] XXX-XX
[Test.awd] XXX-XX
Date of BIOS Built
[CURRENT ] 09/25/99
[XXXX.XXX] 05/29/00
Check sum of 1001.010 is F266.
Are you sure (Y/N) ? [Y]
Press ESC To Return to Main Menu
```

7. The utility starts to program the new BIOS information into the Flash ROM. The boot block is updated automatically only when necessary. This minimizes the possibility of boot problems in case of update failures. When the programming is done, the message “*Flashed Successfully*” appears.

```
Update BIOS Including Boot Block and ESCD
Flash Memory: Winbond W29C020 or SST 29EE020 or Intel 82802AB
BIOS Version
[CURRENT ] ASUS XXX-XX ACPI BIOS Revision 100X
[test.awd] ASUS XXX-XX ACPI BIOS Revision 100X
BIOS Model
[CURRENT ] XXX-XX
[test.awd] XXX-XX
Date of BIOS Built
[CURRENT ] 09/25/99
[XXXX.XXX] 05/29/00
Check sum of 1001.010 is F266.
Are you sure (Y/N) ? [Y]
Block Erasing -- Done
Programming -- 3FFFF
Flashed Successfully
Press ESC To Continue
```

8. Follow the onscreen instructions to continue.

```
ASUS ACPI BIOS
FLASH MEMORY WRITER V1.29
Copyright (C) 1994-99, ASUSTeK COMPUTER INC.
Flash Memory: Winbond W29C020 or SST 29EE020 or Intel 82802AB
Current BIOS Version: ASUS XXX-XX ACPI BIOS Revision 100X
BIOS Model : XXX-XX
BIOS Built Date : 05/29/99
Choose one of the followings:
1. Save Current BIOS To File
2. Update BIOS Including Boot Block and ESCD
Enter choice: [1]
You have flashed the EPROM:It is recommended that you turn off
the power, enter SETUP and LOAD Setup Defaults to have CMOS
updated with new BIOS when exits.
Press ESC To Exit
```



If you encounter problems while updating the new BIOS, DO NOT turn off the system because this may cause boot problems. Just repeat the process, and if the problem persists, load the original BIOS file you saved to the boot disk. If the Flash Memory Writer utility is not able to successfully update a complete BIOS file, the system may not boot. If this happens, call the ASUS service center for support.

4.2 BIOS Setup program

This motherboard supports a programmable EEPROM that you can update using the provided utility described in section “4.1 Managing and updating your BIOS.”

Use the BIOS Setup program when you are installing a motherboard, reconfiguring your system, or prompted to “Run Setup”. This section explains how to configure your system using this utility.

Even if you are not prompted to use the Setup program, you may want to change the configuration of your computer in the future. For example, you may want to enable the security password Feature or make changes to the power management settings. This requires you to reconfigure your system using the BIOS Setup program so that the computer can recognize these changes and record them in the CMOS RAM of the EEPROM.

The EEPROM on the motherboard stores the Setup utility. When you start up the computer, the system provides you with the opportunity to run this program. Press <Delete> during the Power-On Self Test (POST) to enter the Setup utility, otherwise, POST continues with its test routines.

If you wish to enter Setup after POST, restart the system by pressing <Ctrl> + <Alt> + <Delete>, or by pressing the reset button on the system chassis. You can also restart by turning the system off and then back on. Do this last option only if the first two failed.

The Setup program is designed to make it as easy to use as possible. It is a menu-driven program, which means you can scroll through the various sub-menus and make your selections among the predetermined choices.



Because the BIOS software is constantly being updated, the following BIOS setup screens and descriptions are for reference purposes only, and may not exactly match what you see on your screen.

4.2.1 BIOS menu bar

The top of the screen has a menu bar with the following selections:

- MAIN** Use this menu to make changes to the basic system configuration.
- ADVANCED** Use this menu to enable and make changes to the advanced features.
- POWER** Use this menu to configure and enable Power Management features.
- BOOT** Use this menu to configure the default system device used to locate and load the Operating System.
- EXIT** Use this menu to exit the current menu or to exit the Setup program.

To access the menu bar items, press the right or left arrow key on the keyboard until the desired item is highlighted.

4.2.2 Legend bar

At the bottom of the Setup screen is a legend bar. The keys in the legend bar allow you to navigate through the various setup menus. The following table lists the keys found in the legend bar with their corresponding functions.

Navigation Key(s)	Function Description
<F1> or <Alt + H>	Displays the General Help screen from anywhere in the BIOS Setup
<Esc>	Jumps to the Exit menu or returns to the main menu from a sub-menu
Left or Right arrow	Selects the menu item to the left or right
Up or Down arrow	Moves the highlight up or down between fields
- (minus key)	Scrolls backward through the values for the highlighted field
+ (plus key) or spacebar	Scrolls forward through the values for the highlighted field
<Enter>	Brings up a selection menu for the highlighted field
<Home> or <PgUp>	Moves the cursor to the first field
<End> or <PgDn>	Moves the cursor to the last field
<F5>	Resets the current screen to its Setup Defaults
<F10>	Saves changes and exits Setup

General help

In addition to the Item Specific Help window, the BIOS setup program also provides a General Help screen. You may launch this screen from any menu by simply pressing <F1> or the <Alt> + <H> combination. The General Help screen lists the legend keys and their corresponding functions.

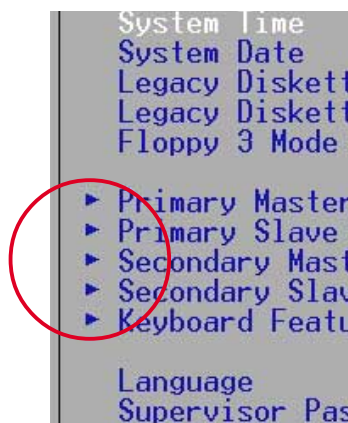
Saving changes and exiting the Setup program

See “4.7 Exit Menu” for detailed information on saving changes and exiting the setup program.

Scroll bar

When a scroll bar appears to the right of a help window, it indicates that there is more information to be displayed that will not fit in the window. Use <PgUp> and <PgDn> or the up and down arrow keys to scroll through the entire help document. Press <Home> to display the first page, press <End> to go to the last page. To exit the help window, press <Enter> or <Esc>.

Sub-menu

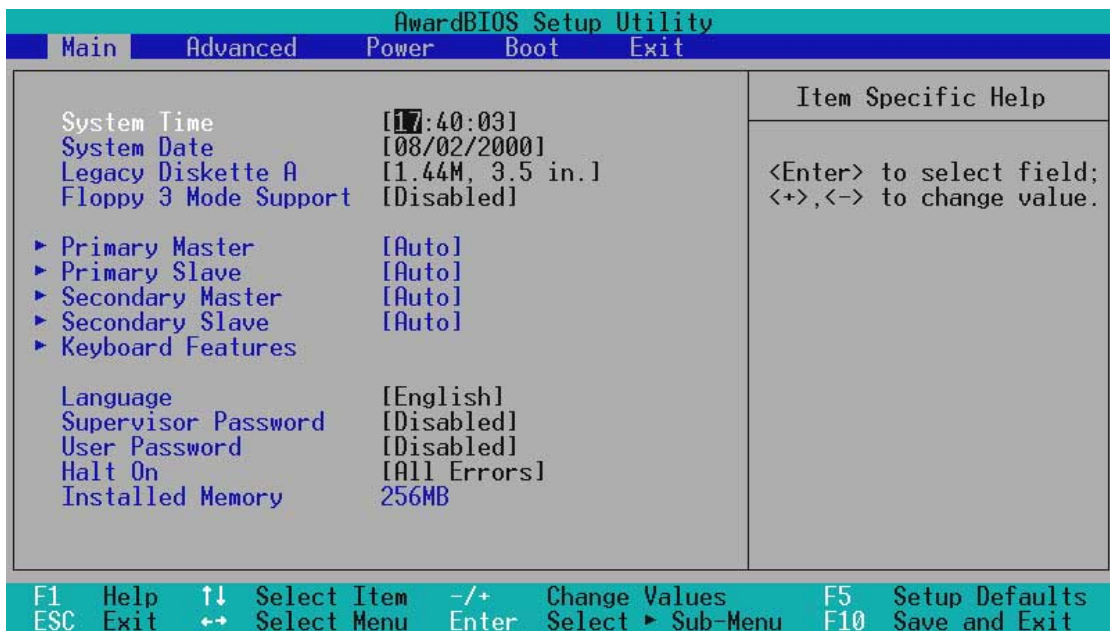


Note that a right pointer symbol (as shown on the left) appears to the left of certain fields. This pointer indicates that you can display a sub-menu from this field. A sub-menu contains additional options for a field parameter. To display a sub-menu, move the highlight to the field and press <Enter>. The sub-menu appears. Use the legend keys to enter values and move from field to field within a sub-menu as you would within a menu. Use the <Esc> key to return to the main menu.

Take some time to familiarize yourself with the legend keys and their corresponding functions. Practice navigating through the various menus and sub-menus. If you accidentally make unwanted changes to any of the fields, use the set default hot key <F5> to load the Setup default values. While moving around through the Setup program, note that explanations appear in the Item Specific Help window located to the right of each menu. This window displays the help text for the currently highlighted field.

4.3 Main menu

When you enter the Setup program, the following screen appears.



System Time [XX:XX:XX]

Sets the system to the time that you specify (usually the current time). The format is hour, minute, second. Valid values for hour, minute and second are Hour: (00 to 23), Minute: (00 to 59), Second: (00 to 59). Use the <Tab> or <Shift> + <Tab> keys to move between the hour, minute, and second fields.

System Date [XX/XX/XXXX]

Sets the system to the date that you specify (usually the current date). The format is month, day, year. Valid values for month, day, and year are Month: (1 to 12), Day: (1 to 31), Year: (up to 2084). Use the <Tab> or <Shift> + <Tab> keys to move between the month, day, and year fields.

Legacy Diskette A [1.44M, 3.5 in.]

Sets the type of floppy drive installed. Configuration options: [None] [360K, 5.25 in.] [1.2M , 5.25 in.] [720K , 3.5 in.] [1.44M, 3.5 in.] [2.88M, 3.5 in.]

Floppy 3 Mode Support [Disabled]

This is required to support older Japanese floppy drives. The Floppy 3 Mode feature allows reading and writing of 1.2MB (as opposed to 1.44MB) on a 3.5-inch diskette. Configuration options: [Disabled] [Enabled]

4.3.1 Primary & Secondary Master/Slave

AwardBIOS Setup Utility	
Main	
Primary Master [Auto]	Item Specific Help
Type [Auto]	<Enter> to select the type of the IDE drive. [User Type HDD] allows you to set each entry on your own. WARNING: Ultra DMA mode 3/4/5 can be enabled only when BIOS detects shielded 80-pin cable.
Cylinders [1024]	
Head [255]	
Sector [63]	
CHS Capacity 8422MB	
Maximum LBA Capacity 25590MB	
Multi-Sector Transfers [Maximum]	
SMART Monitoring [Disabled]	
PIO Mode [4]	
ULTRA DMA Mode [Disabled]	
F1 Help ↑↓ Select Item -/+ Change Values F5 Setup Defaults ESC Exit ↔ Select Menu Enter Select ► Sub-Menu F10 Save and Exit	

Type [Auto]

Select [Auto] to automatically detect an IDE hard disk drive. If automatic detection is successful, Setup automatically fills in the correct values for the remaining fields on this sub-menu. If automatic detection fails, this may be because the hard disk drive is too old or too new. If the hard disk was already formatted on an older system, Setup may detect incorrect parameters. In these cases, select [User Type HDD] to manually enter the IDE hard disk drive parameters. Refer to the next section for details.



Before attempting to configure a hard disk drive, make sure you have the correct configuration information supplied by the drive manufacturer. Incorrect settings may cause the system to fail to recognize the installed hard disk.

[User Type HDD]

AwardBIOS Setup Utility			
Main			
Primary Master	[User Type HDD]	Item Specific Help	
Type	[User Type HDD]	<p><Enter> to select the type of the IDE drive. [User Type HDD] allows you to set each entry on your own.</p> <p>WARNING: Ultra DMA mode 3/4/5 can be enabled only when BIOS detects shielded 80-pin cable.</p>	
Translation Method	[LBA]		
Cylinders	[1024]		
Head	[255]		
Sector	[63]		
CHS Capacity	8422MB		
Maximum LBA Capacity	25590MB		
Multi-Sector Transfers	[Maximum]		
SMART Monitoring	[Disabled]		
PIO Mode	[4]		
ULTRA DMA Mode	[Disabled]		
F1 Help	↑↓ Select Item		-/+ Change Values
ESC Exit	↔ Select Menu		Enter Select ▶ Sub-Menu
		F5 Setup Defaults	
		F10 Save and Exit	

Manually enter the number of cylinders, heads and sectors per track for the drive. Refer to the drive documentation or on the drive label for this information.



After entering the IDE hard disk drive information into BIOS, use a disk utility, such as FDISK, to partition and format new IDE hard disk drives. This is necessary so that you can write or read data from the hard disk. Make sure to set the partition of the Primary IDE hard disk drives to active.

If no drive is installed or if you are removing a drive and not replacing it, select [None].

Other options for the Type field are:

[CD-ROM] - for IDE CD-ROM drives

[LS-120] - for LS-120 compatible floppy disk drives

[ZIP] - for ZIP-compatible disk drives

[MO] - for IDE magneto optical disk drives

[Other ATAPI Device] - for IDE devices not listed here

After making your selections on this sub-menu, press the <Esc> key to return to the Main menu. When the Main menu appears, the hard disk drive field displays the size for the hard disk drive that you configured.

Translation Method [LBA]

Select the hard disk drive type in this field. When Logical Block Addressing (LBA) is enabled, the 28-bit addressing of the hard drive is used without regard for cylinders, heads, or sectors. Note that LBA Mode is necessary for drives with more than 504MB storage capacity. Configuration options: [LBA] [LARGE] [Normal] [Match Partition Table] [Manual]

Cylinders

This field configures the number of cylinders. Refer to the drive documentation to determine the correct value. To make changes to this field, set the Type field to [User Type HDD] and the Translation Method field to [Manual].

Head

This field configures the number of read/write heads. Refer to the drive documentation to determine the correct value. To make changes to this field, set the Type field to [User Type HDD] and the Translation Method field to [Manual].

Sector

This field configures the number of sectors per track. Refer to the drive documentation to determine the correct value. To make changes to this field, set the Type field to [User Type HDD] and the Translation Method field to [Manual].

CHS Capacity

This field shows the drive's maximum CHS capacity as calculated by the BIOS based on the drive information you entered.

Maximum LBA Capacity

This field shows the drive's maximum LBA capacity as calculated by the BIOS based on the drive information you entered.

Multi-Sector Transfers [Maximum]

This option automatically sets the number of sectors per block to the highest number that the drive supports. Note that when this field is automatically configured, the set value may not always be the fastest value for the drive. You may also manually configure this field. Refer to the documentation that came with the hard drive to determine the optimum value and set it manually. To make changes to this field, set the Type field to [User Type HDD]. Configuration options: [Disabled] [2 Sectors] [4 Sectors] [8 Sectors] [16 Sectors] [32 Sectors] [Maximum]

SMART Monitoring [Disabled]

This field allows you to enable or disable the S.M.A.R.T. (Self-Monitoring, Analysis and Reporting Technology) system that utilizes internal hard disk drive monitoring technology. This parameter is normally disabled because the resources used in the SMART monitoring feature may decrease system performance. Configuration options: [Disabled] [Enabled]

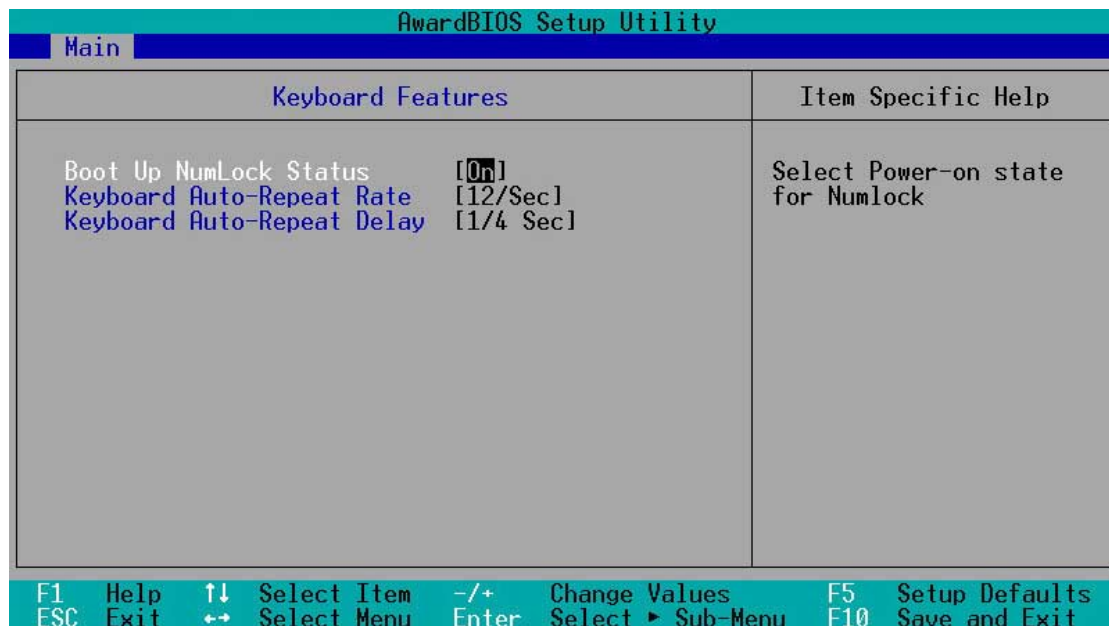
PIO Mode [4]

This option lets you set a PIO (Programmed Input/Output) mode for the IDE device. Modes 0 through 4 provide successive increase in performance. Configuration options: [0] [1] [2] [3] [4]

Ultra DMA Mode [Disabled]

Ultra DMA capability allows improved transfer speeds and data integrity for compatible IDE devices. Set to [Disabled] to suppress Ultra DMA capability. To make changes to this field, set the Type field to [User Type HDD]. Configuration options: [0] [1] [2] [3] [4] [5] [Disabled]

4.3.2 Keyboard Features



Boot Up NumLock Status [On]

This field enables users to activate the Number Lock function upon system boot. Configuration options: [Off] [On]

Keyboard Auto-Repeat Rate [12/Sec]

This controls the speed at which the system registers repeated keystrokes. Options range from 6 to 30 characters per second. Configuration options: [6/Sec] [8/Sec] [10/Sec] [12/Sec] [15/Sec] [20/Sec] [24/Sec] [30/Sec]

Keyboard Auto-Repeat Delay [1/4 Sec]

This field sets the time interval for displaying the first and second characters. Configuration options: [1/4 Sec] [1/2 Sec] [3/4 Sec] [1 Sec]

Main menu items continued...

Language [English]

This field displays the BIOS language version. (This product does not support multi-language BIOS programs.)

Supervisor Password [Disabled] / User Password [Disabled]

These fields allow you to set passwords. To set a password, highlight the appropriate field and press <Enter>. Type in a password then press <Enter>. You can type up to eight alphanumeric characters. Symbols and other characters are ignored. To confirm the password, type the password again and press <Enter>. The password is now set to [Enabled]. This password allows full access to the BIOS Setup menus. To clear the password, highlight this field and press <Enter>. The same dialog box as above appears. Press <Enter>. The password is set to [Disabled].

A note about passwords

The BIOS Setup program allows you to specify passwords in the Main menu. The passwords control access to the BIOS during system startup. Passwords are not case sensitive, meaning, passwords typed in either uppercase or lowercase letters are accepted. The BIOS Setup program allows you to specify two different passwords: a Supervisor password and a User password. If you did not set a Supervisor password, anyone can access the BIOS Setup program. If you did, the Supervisor password is required to enter the BIOS Setup program and to gain full access to the configuration fields.

Halt On [All Errors]

This field specifies the types of errors that will cause the system to halt. Configuration options: [All Errors] [No Error] [All but Keyboard] [All but Disk] [All but Disk/Keyboard]

Installed Memory [XXX MB]

This field automatically displays the amount of conventional memory detected by the system during the boot process.

4.4 Advanced Menu

AwardBIOS Setup Utility			
Main	Advanced	Power Boot Exit	
CPU Speed	[Manual]	Item Specific Help To make changes to the first 4 fields, the motherboard must be set to jumperfree mode. To set the following 2 fields, the CPU speed must be set to [Manual]. If the frequency multiple or bus frequency are adjusted too high, the system may hang. Please turn off the system and then restart to set the CPU settings.	
CPU Frequency Multiplier	[22x]		
CPU External Frequency (MHz)	[105]		
CPU/Memory Frequency Ratio	[Auto]		
AGP/PCI Frequency Setting	[Auto]		
CPU Vcore Setting	[Auto]		
CPU Vcore	[1.500V]		
CPU Level 1 Cache	[Enabled]		
CPU Level 2 Cache	[Enabled]		
BIOS Update	[Enabled]		
PS/2 Mouse Function Control	[Auto]		
USB Legacy Support	[Auto]		
OS/2 Onboard Memory > 64M	[Disabled]		
▶ Chip Configuration			
▶ I/O Device Configuration			
▶ PCI Configuration			
F1 Help	↑↓ Select Item		-/+ Change Values
ESC Exit	↔ Select Menu		Enter Select ▶ Sub-Menu
			F5 Setup Defaults
			F10 Save and Exit

CPU Speed [Manual]

When the motherboard is set to JumperFree™ mode, this field allows you to select the internal frequency of the CPU. Select [Manual] if you want to make changes to the two subsequent fields.



Selecting a frequency higher than the CPU manufacturer recommends may cause the system to hang or crash!

CPU Frequency Multiplier (when CPU Speed is set to [Manual])

This field is for unlocked processors only. If your processor frequency multiple is locked, you cannot access this field. This field allows you to set the frequency multiple between the CPU's internal frequency (CPU speed) and external frequency.

CPU External Frequency (MHz) (when CPU Speed is set to [Manual])

This feature tells the clock generator which frequency to send to the system bus and PCI bus. The bus frequency (external frequency) multiplied by the bus multiple equals the CPU speed. The setting of this field depends on the CPU Frequency Multiple.

CPU / Memory Frequency Ratio [Auto]

This field determines whether the memory clock frequency. The ratios that appear in the popup menu vary according to the CPU Frequency. The auto setting is recommended for normal use. Configuration options: [Auto] [3x] [4x]

AGP/PCI Frequency Setting [Auto]

When set to [Auto], this field allows automatic selection of AGP/PCI frequency to enhance system performance and overclocking capability. The setting [Manual] allows you to manually select the AGP/PCI frequency. If the system becomes unstable, return to the default setting [Auto]. When this item is set to [Manual], the **AGP/PCI Frequency (MHz)** item appears. Configuration options: [Auto] [Manual]

Main	Advanced	Power	Boot	Exit	
CPU Speed			[Manual]		Item Specific Help
CPU Frequency Multiple			[13x]		To make changes to the first 4 fields, the motherboard must be set to jumper-free mode.
CPU External Frequency (MHz)			[100]		
CPU/Memory Frequency Ratio			[Auto]		
AGP/PCI Frequency Setting			[Manual]		
AGP/PCI Frequency (MHz)			[66.66/33.33]		
CPU Voltage Setting			[Auto]		

AGP/PCI Frequency (MHz) [66.66/33.33]

This item appears only when the **AGP/PCI Frequency Setting** is set to [Manual]. This field allows you to select a higher AGP/PCI frequency for better system performance.



Selecting a very high AGP/PCI frequency may cause the system to be unstable!

CPU VCore Setting [Auto]

This field determines if the CPU Vcore is automatically scaled or set manually by the user. The default for this field is [Auto], so the CPU vcore voltage is set for maximum performance without stressing the CPU. Configuration options: [Manual] [Auto]

CPU VCore [1.750V] (for Willamette), [1.500V] (for Northwood)

When the CPU VCore Setting parameter above is set to [Manual], the CPU VCore item allows you to select a specific CPU core voltage. This field is not accessible when the CPU VCore Setting is set to [Auto]. Depending on the OVER_VOLT jumper setting (see page for the jumper location and settings), the CPU core voltage options vary for both Willamette and Northwood processors. See the following table:

P4 Processor \ OVER_VOLT Jumper	Disabled	Enabled
	Willamette	1.750V, 1.775V, 1.800V, 1.825V, 1.850V
Northwood	1.500V, 1.525V, 1.550V, 1.575V, 1.600V, 1.625V, 1.650V, 1.675V, 1.700V	1.500V, 1.525V, 1.550V, 1.575V, 1.600V, 1.625V, 1.650V, 1.675V, 1.700V, 1.725V, 1.750V, 1.775V, 1.800V



Refer to the CPU documentation before setting this field. A very high core voltage may severely damage the CPU!

CPU Level 1 / 2 Cache [Enabled]

These fields allow you to choose from the default of [Enabled] or choose [Disabled] to turn on or off the CPU Level 1 and Level 2 built-in cache.

Configuration options: [Disabled] [Enabled]

BIOS Update [Enabled]

This field functions as an update loader integrated into the BIOS to supply the processor with the required data. When set to [Enabled], the BIOS loads the update on all processors during system bootup. Configuration options: [Disabled] [Enabled]

PS/2 Mouse Function Control [Auto]

The default setting [Auto] allows the system to detect a PS/2 mouse at startup. If a mouse is detected, the BIOS assigns IRQ12 to the PS/2 mouse. Otherwise, IRQ12 can be used for expansion cards. When you set this field to [Enabled], BIOS reserves IRQ12, whether or not a PS/2 mouse is detected at startup. Configuration options: [Enabled] [Auto]

USB Legacy Support [Auto]

This motherboard supports Universal Serial Bus (USB) devices. The default of [Auto] allows the system to detect a USB device at startup. If detected, the USB controller legacy mode is enabled. If not detected, the USB controller legacy mode is disabled. When you set this field to [Disabled], the USB controller legacy mode is disabled whether or not you are using a USB device. Configuration options: [Disabled] [Enabled] [Auto]

OS/2 Onboard Memory > 64M [Disabled]

When using OS/2 operating systems with installed DRAM of greater than 64MB, you need to set this option to [Enabled]. Otherwise, leave to the default setting [Disabled]. Configuration options: [Disabled] [Enabled]

4.4.1 Chip Configuration

AwardBIOS Setup Utility		
Advanced		
Chip Configuration	Item Specific Help	
RDRAM Turbo Mode	[Disabled]	<Enter> to select SDRAM configuration. [By SPD] is recommended. [User Define] allows you to set each configuration on your own.
Graphics Aperture Size	[64MB]	
Video Memory Cache Mode	[UC]	
Memory Hole At 15M-16M	[Disabled]	
Delay Transaction	[Disabled]	
Onboard PCI IDE Enable	[Both]	
F1 Help ↑↓ Select Item -/+ Change Values F5 Setup Defaults ESC Exit ↔ Select Menu Enter Select ▶ Sub-Menu F10 Save and Exit		

RDRAM Turbo Mode

This feature maximizes the performance of the RDRAM memory.

Configuration options: [Disabled] [Enabled]

Graphics Aperture Size [64MB]

This feature allows you to select the size of mapped memory for AGP graphic data. Configuration options: [4MB] [8MB] [16MB] [32MB] [64MB] [128MB] [256MB]

Video Memory Cache Mode [UC]

USWC (uncacheable, speculative write combining) is a new cache technology for the video memory of the processor. It can greatly improve the display speed by caching the display data. You must set this to UC (uncacheable) if your display card does not support this feature, otherwise the system may not boot. Configuration options: [UC] [USWC]

Memory Hole At 15M-16M [Disabled]

This field allows you to reserve an address space for ISA expansion cards. Setting the address space to a particular setting makes that memory space unavailable to other system components. Expansion cards can only access memory up to 16MB. Configuration options: [Disabled] [Enabled]

Delay Transaction [Disabled]

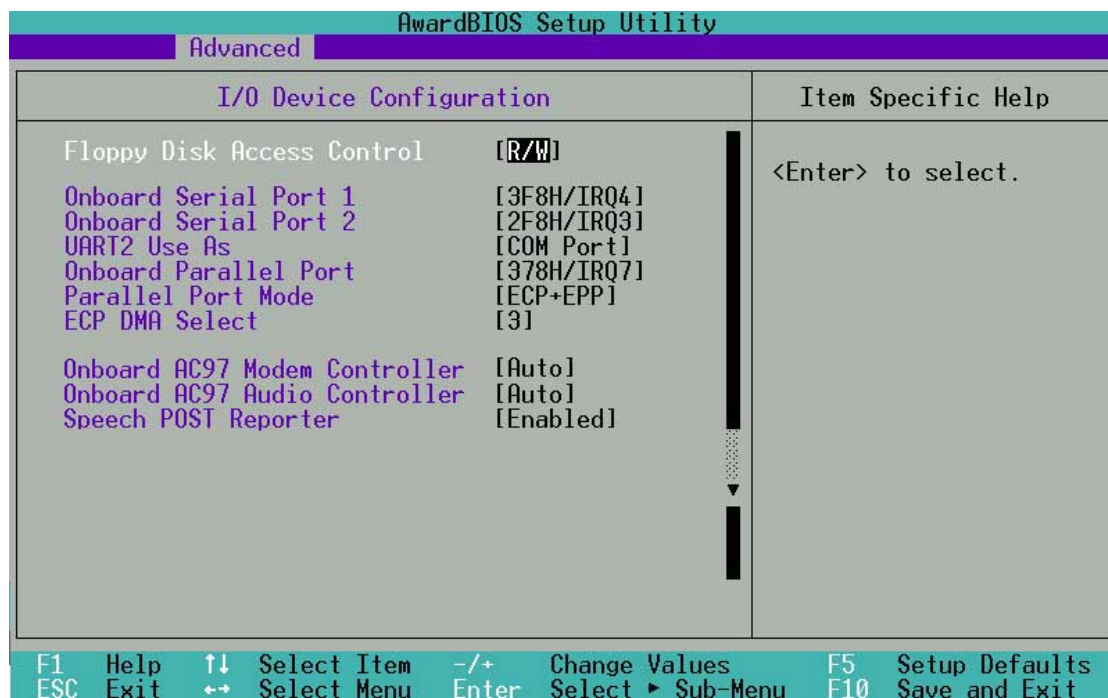
Configuration options: [Disabled] [Enabled]

Onboard PCI IDE Enable [Both]

This field allows you to enable either the primary IDE channel or secondary IDE channel, or both. You can also set both channels to [Disabled].

Configuration options: [Both] [Primary] [Secondary] [Disabled]

4.4.2 I/O Device Configuration



Floppy Disk Access Control [R/W]

When set to [Read Only], this parameter protects files from being copied to floppy disks by allowing reads from, but not writes to, the floppy disk drive. The default setting [R/W] allows both reads and writes. Configuration options: [R/W] [Read Only]

Onboard Serial Port 1 [3F8H/IRQ4]

Onboard Serial Port 2 [Disabled]

These fields allow you to set the addresses for the onboard serial connectors. Serial Port 1 and Serial Port 2 must have different addresses. Configuration options: [3F8H/IRQ4] [2F8H/IRQ3] [3E8H/IRQ4] [2E8H/IRQ10] [Disabled]

UART2 Use As [Disabled]

This field allows you to select the device on which to assign UART2. If you select [IR] or [Smart Card Reader], set an I/O address for the item **Onboard Serial Port 2**. Configuration options: [COM Port] [IR] [Smart Card Reader]

Onboard Parallel Port [378H/IRQ7]

This field sets the address of the onboard parallel port connector. If you disable this field, the Parallel Port Mode and ECP DMA Select configurations are not available. Configuration options: [Disabled] [378H/IRQ7] [278H/IRQ5]

Parallel Port Mode [ECP+EPP]

This field allows you to set the operation mode of the parallel port. [Normal] allows normal-speed operation but in one direction only; [EPP] allows bidirectional parallel port operation; [ECP] allows the parallel port to operate in bidirectional DMA mode; [ECP+EPP] allows normal speed operation in a two-way mode. Configuration options: [Normal] [EPP] [ECP] [ECP+EPP]

ECP DMA Select [3]

This field allows you to configure the parallel port DMA channel for the selected ECP mode. This selection is available only if you select [ECP] or [ECP+EPP] in Parallel Port Mode above. Configuration options: [1] [3]

Onboard AC97 Modem Controller [Enabled]

This parameter allows you to enable or disable the onboard Modem controller. Keep the setting [Auto] if you wish to use the onboard LAN feature. Set this field to [Disabled] if you installed a PCI LAN card. The LAN card includes a controller chipset. Configuration options: [Disabled] [Auto]

Onboard AC97 Audio Controller [Enabled]

This parameter allows you to enable or disable the onboard AC97 audio controller. Configuration options: [Disabled] [Auto]

Speech POST Reporter [Enabled]

This field enables or disables the ASUS POST Reporter™ feature. More information is available in section 3.2, Vocal POST Messages. Configuration options: [Enabled] [Disabled].

4.4.3 PCI Configuration

AwardBIOS Setup Utility		
Advanced		
PCI Configuration	Item Specific Help	
Slot 1/5 IRQ	[Auto]	<Enter> to select an IRQ.
Slot 2 IRQ	[Auto]	
Slot 3 IRQ	[Auto]	
Slot 4 IRQ	[Auto]	
Slot 6 IRQ	[Auto]	
PCI/VGA Palette Snoop	[Disabled]	
PCI Latency Timer	[32]	
USB Function	[Both]	
Primary VGA BIOS	[PCI VGA Card]	
Onboard PCI Audio Controller	[Enabled]	
▶ PCI IRQ Resource Exclusion		

F1	Help	↑↓	Select Item	-/+	Change Values	F5	Setup Defaults
ESC	Exit	↔	Select Menu	Enter	Select ▶ Sub-Menu	F10	Save and Exit

Slot 1/5, 2, 3, 4, 6 IRQ [Auto]

These fields automatically assign the IRQ for each PCI slot. The default setting for each field is [Auto], which utilizes auto-routing to determine IRQ assignments. Configuration options: [Auto] [NA] [3] [4] [5] [7] [9] [10] [11] [12] [14] [15]

PCI/VGA Palette Snoop [Disabled]

Some non-standard VGA cards, like graphics accelerators or MPEG video cards, may not show colors properly. Setting this field to [Enabled] corrects this problem. If you are using standard VGA cards, leave this field to the default setting [Disabled]. Configuration options: [Disabled] [Enabled]

PCI Latency Timer [32]

Leave this field to the default setting [32] for best performance and stability.

USB Function [Both]

This motherboard supports Universal Serial Bus (USB) devices. Keep the default setting [Both] to connect USB devices. Select the setting [Disabled] if you do not wish to use the USB feature. Configuration options: [Both] [Disabled]

Primary VGA BIOS [PCI VGA Card]

This field allows you to select the primary graphics card. Configuration options: [PCI VGA Card] [AGP VGA Card]

Onboard PCI Audio Controller [Enabled]

The motherboard supports PCI audio cards. Configuration options:
[Disabled] [Enabled]

4.4.3.1 PCI IRQ Resource Exclusion

AwardBIOS Setup Utility			
Advanced			
PCI IRQ Resource Exclusion			Item Specific Help
IRQ 3	Reserved	[No/ICU]	Select [Yes] if this IRQ is required by a legacy ISA card and you are not using ICU; otherwise, select [No/ICU].
IRQ 4	Reserved	[No/ICU]	
IRQ 5	Reserved	[No/ICU]	
IRQ 7	Reserved	[No/ICU]	
IRQ 9	Reserved	[No/ICU]	
IRQ 10	Reserved	[No/ICU]	
IRQ 11	Reserved	[No/ICU]	
IRQ 12	Reserved	[No/ICU]	
IRQ 14	Reserved	[No/ICU]	
IRQ 15	Reserved	[No/ICU]	

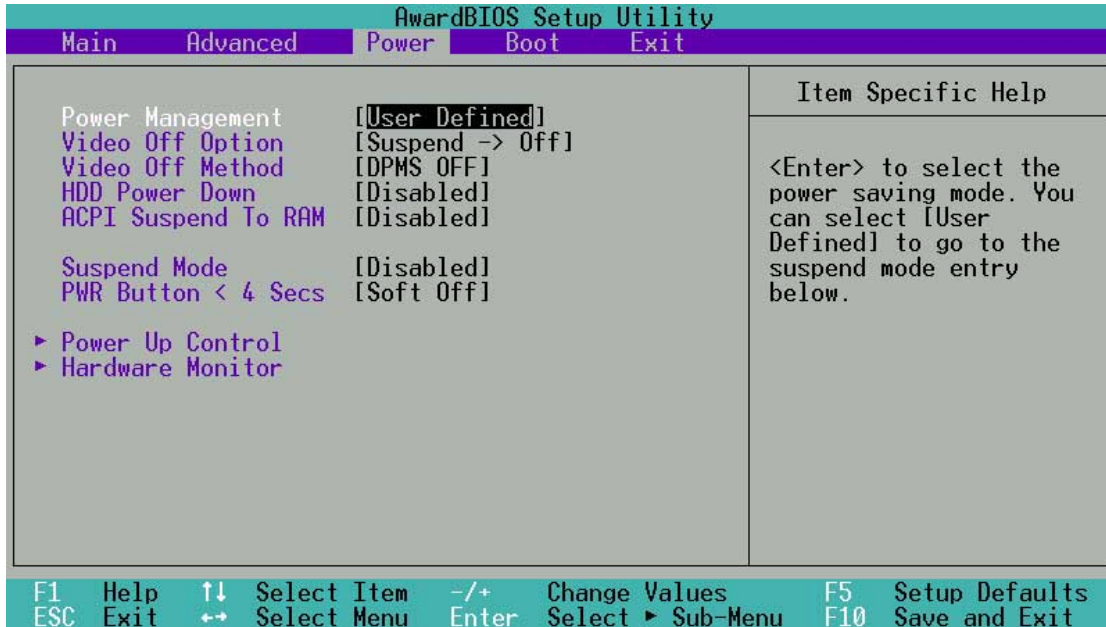
F1 Help ↑↓ Select Item -/+ Change Values F5 Setup Defaults
ESC Exit ↔ Select Menu Enter Select ► Sub-Menu F10 Save and Exit

IRQ XX Reserved [No/ICU]

These fields indicate whether or not the displayed IRQ for each field is being used by a legacy (non-PnP) ISA card. The setting [No/ICU] for an IRQ field indicates that you are using the ISA Configuration Utility (ICU), and that this particular IRQ is NOT required by a legacy ISA card. Set the IRQ field to [Yes] if you install a legacy ISA card that requires a unique IRQ and you are NOT using ICU. Configuration options: [No/ICU] [Yes]

4.5 Power Menu

The Power menu allows you to reduce power consumption. This feature turns off the video display and shuts down the hard disk after a period of inactivity.



Power Management [User Defined]

This field allows you to activate or deactivate the automatic power saving features. When set to [Disabled], the power management features do not function regardless of the other settings on this menu. The [User Defined] option allows you to set the period of inactivity before the system enters suspend mode. Refer to “Suspend Mode” later in this section.

When set to [Max Saving], system power is conserved to its greatest amount. This setting automatically puts the system into suspend mode after a brief period of system inactivity. [Min Saving] allows the least power saving as the system enters suspend mode only after a long period of inactivity. Configuration options: [User Defined] [Disabled] [Min Saving] [Max Saving]



You should install the Advanced Power Management (APM) utility to keep the system time updated even when the computer enters suspend mode. In Windows 3.x and Windows 95, you need to install Windows with the APM feature. In Windows 98 or later, APM is automatically installed as indicated by a battery and power cord icon labeled “Power Management” in the Control Panel. Select the item “Advanced” in the Power Management Properties dialog box.

Video Off Option [Suspend -> Off]

This field determines when to activate the video off feature for monitor power management. Configuration options: [Always On] [Suspend -> Off]

Video Off Method [DPMS OFF]

This field defines the video off features. The Display Power Management System (DPMS) feature allows the BIOS to control the video display card if it supports the DPMS feature. [Blank Screen] only blanks the screen. Use this for monitors without power management or “green” features.



Even if installed, your screen saver does not display when you select [Blank Screen] for the above field.

[V/H SYNC+Blank] blanks the screen and turns off vertical and horizontal scanning. Configuration options: [Blank Screen] [V/H SYNC+Blank] [DPMS Standby] [DPMS Suspend] [DPMS OFF] [DPMS Reduce ON]

HDD Power Down [Disabled]

Shuts down any IDE hard disk drives in the system after a period of inactivity as set in this user-configurable field. This feature does not affect SCSI hard drives. Configuration options: [Disabled] [1 Min] [2 Min] [3 Min]...[15 Min]

ACPI Suspend To RAM [Disabled]

This field allows you to enable or disable the ACPI Suspend-to-RAM feature. To support this feature, the +5VSB of the power supply should have the capacity to provide more than 720mA current. Configuration options: [Disabled] [Enabled]

Suspend Mode [Disabled]

Sets the time period before the system goes into suspend mode. Configuration options: [Disabled] [1~2 Min] [2~3 Min] [4~5 min] [8~9 Min] [20 Min] [30 Min] [40 Min]

PWR Button < 4 Secs [Soft Off]

When set to [Soft off], the ATX switch can be used as a normal system power-off button when pressed for less than 4 seconds. [Suspend] allows the button to have a dual function where pressing less than 4 seconds puts the system in sleep mode. Regardless of the setting, holding the ATX switch for more than 4 seconds powers off the system. Configuration options: [Soft off] [Suspend]

4.5.1 Power Up Control

AwardBIOS Setup Utility	
Power	
Power Up Control	Item Specific Help
AC Power Loss Restart [Disabled]	<Enter> to select whether or not to restart the system after AC power loss.
Wake/Power Up On Ext. Modem [Disabled]	
Power Up On PCI Card [Disabled]	
Power On By PS/2 Keyboard [Disabled]	
Power On By PS/2 Mouse [Disabled]	
Automatic Power Up [Disabled]	
F1 Help ↑↓ Select Item -/+ Change Values F5 Setup Defaults	
ESC Exit ↔ Select Menu Enter Select ► Sub-Menu F10 Save and Exit	

AC PWR Loss Restart [Disabled]

This allows you to set whether or not to reboot the system after power interruptions. [Disabled] leaves your system off while [Enabled] reboots the system. [Previous State] sets the system back to the state it was before the power interruption. Configuration options: [Disabled] [Enabled] [Previous State]

Wake/Power Up On Ext. Modem [Disabled]

This allows either settings of [Enabled] or [Disabled] for powering up the computer when the external modem receives a call while the computer is in Soft-off mode. Configuration options: [Disabled] [Enabled]



The computer cannot receive or transmit data until the computer and applications are fully running. Thus, connection cannot be made on the first try. Turning an external modem off and then back on while the computer is off causes an initialization string that turns the system power on.

Power Up On PCI Card [Disabled]

When set to [Enabled], this parameter allows you to turn on the system through a PCI modem. This feature requires an ATX power supply that provides at least 1A on the +5VSB lead. Configuration options: [Disabled] [Enabled]

Power On By PS/2 Keyboard [Disabled]

This parameter allows you to use specific keys on the keyboard to turn on the system. This feature requires an ATX power supply that provides at least 1A on the +5VSB lead. Configuration options: [Disabled] [Space Bar] [Ctrl-Esc] [Power Key]

Power On By PS/2 Mouse [Disabled]

This parameter allows you to use specific keys on the mouse to turn on the system. This feature requires an ATX power supply that provides at least 1A on the +5VSB lead. Configuration options: [Disabled] [Enabled]

Automatic Power Up [Disabled]

This allows an unattended or automatic system power up. You may configure your system to power up at a certain time of the day by selecting [Everyday] or at a certain time and day by selecting [By Date]. Configuration options: [Disabled] [Everyday] [By Date]

4.5.2 Hardware Monitor

AwardBIOS Setup Utility	
Power	
Hardware Monitor	Item Specific Help
MB Temperature	33°C/91°F
CPU Temperature	61°C/141°F
POWER Temperature	N/A
Q-Fan Control	[Disabled]
CPU Fan Speed	7500RPM
POWER Fan Speed	N/A
Chassis Fan Speed	N/A
VCORE Voltage	1.52V
+3.3V Voltage	3.33V
+5V Voltage	5.00V
+12V Voltage	12.00V

F1 Help ↑↓ Select Item -/+ Change Values F5 Setup Defaults
ESC Exit ↔ Select Menu Enter Select ► Sub-Menu F10 Save and Exit

MB Temperature [xxx°C/xxxF]

CPU Temperature [xxx°C/xxxF]

Power Temperature [xxx°C/xxxF]

The onboard hardware monitor automatically detects the MB (motherboard) and CPU temperatures.

Q-Fan Control [Disabled]

This item allows you to enable or disable the ASUS Q-Fan feature that smartly adjusts the fan speeds for more efficient system operation. When this field is set to [Enabled], the **Fan Speed Ratio** and **Speed Up/Down Response Time** items appear to allow selection of the appropriate fan speeds and the corresponding response time. Configuration options: [Disabled] [Enabled]

CPU Fan Speed [xxxxRPM] or N/A

Power Fan Speed [xxxxRPM] or N/A

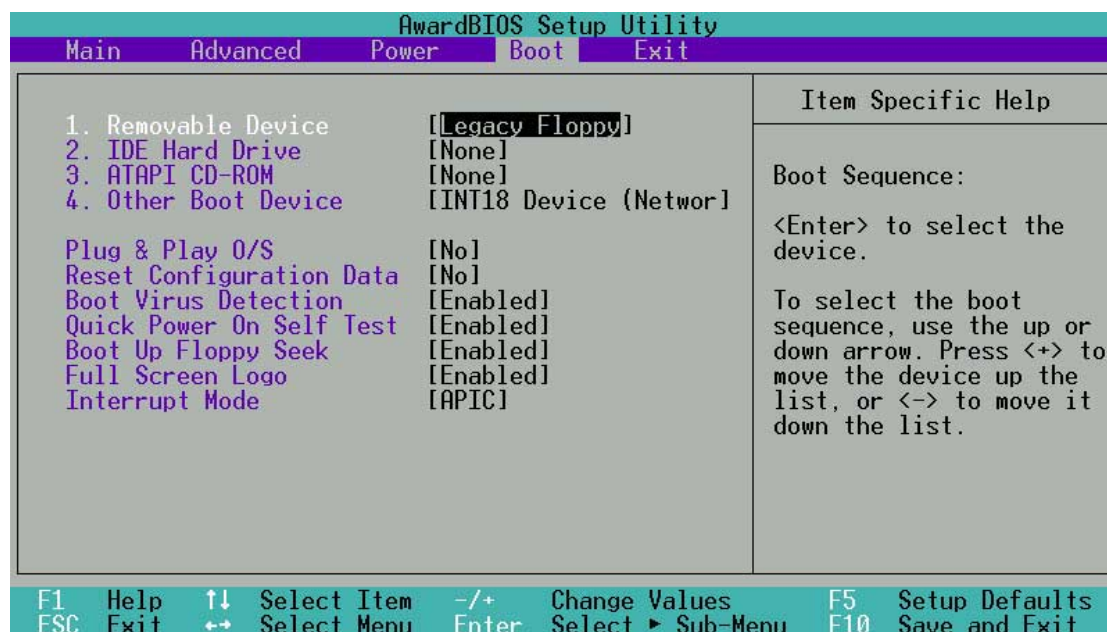
Chassis Fan Speed [xxxxRPM] or N/A

The onboard hardware monitor automatically detects the CPU and chassis fan speeds and displays the fan speeds in revolutions per minute (RPM). If any of the fans is not connected to the fan connectors on the motherboard, the specific field will show N/A.

VCORE Voltage, +3.3V Voltage, +5V Voltage, +12V Voltage

The onboard hardware monitor automatically detects the voltage output through the onboard voltage regulators and show the values on these fields.

4.6 Boot Menu



Boot Sequence

The Boot menu allows you to select among the four possible types of boot devices listed using the up and down arrow keys. By using the <+> or <Space> key, you can promote devices and by using the <-> key, you can demote devices. Promotion or demotion of devices alters the priority which the system uses to search for a boot device on system power up. Configuration fields include Removable Devices, IDE Hard Drive, ATAPI CD-ROM, and Other Boot Device.

Removable Device [Legacy Floppy]

Configuration options: [Disabled] [Legacy Floppy] [LS-120] [ZIP] [ATAPI MO] [USB FDD] [USB ZIP]

IDE Hard Drive

This field allows you to select which IDE hard disk drive to use in the boot sequence. Pressing [Enter] will show the product IDs of all connected IDE hard disk drives.

ATAPI CD-ROM

This field allows you to select which ATAPI CD-ROM drive to use in the boot sequence. Pressing [Enter] will show the product IDs of all your connected ATAPI CD-ROM drives.

Other Boot Device Select [INT18 Device (Network)]

Configuration options: [Disabled] [SCSI Boot Device] [INT18 Device (Network)]

Plug & Play O/S [No]

This field allows you to use a Plug-and-Play (PnP) operating system to configure the PCI bus slots instead of using the BIOS. When [Yes] is selected, interrupts may be reassigned by the OS. If you installed a non-PnP OS or if you want to prevent reassigning of interrupt settings, keep the default setting [No]. Configuration options: [No] [Yes]

Reset Configuration Data [No]

The Extended System Configuration Data (ESCD) contains information about non-PnP devices. It also holds the complete record of how the system was configured the last time it was booted. Select [Yes] if you want to clear these data during the Power-On-Self-Test (POST). Configuration options: [Yes] [No]

Boot Virus Detection [Enabled]

This field allows you to set boot virus detection, ensuring a virus-free boot sector. The system halts and displays a warning message when it detects a virus. If this occurs, you can either allow the operation to continue or use a virus-free bootable floppy disk to restart and investigate your system. Configuration options: [Disabled] [Enabled]

Quick Power On Self Test [Enabled]

This field speeds up the Power-On-Self Test (POST) routine by skipping retesting a second, third, and fourth time. Configuration options: [Disabled] [Enabled]

Boot Up Floppy Seek [Enabled]

When enabled, the BIOS will seek the floppy disk drive to determine whether the drive has 40 or 80 tracks. Configuration options: [Disabled] [Enabled]

Full Screen Logo [Enabled]

This allows you to enable or disable the full screen logo display feature. Configuration options: [Disabled] [Enabled]



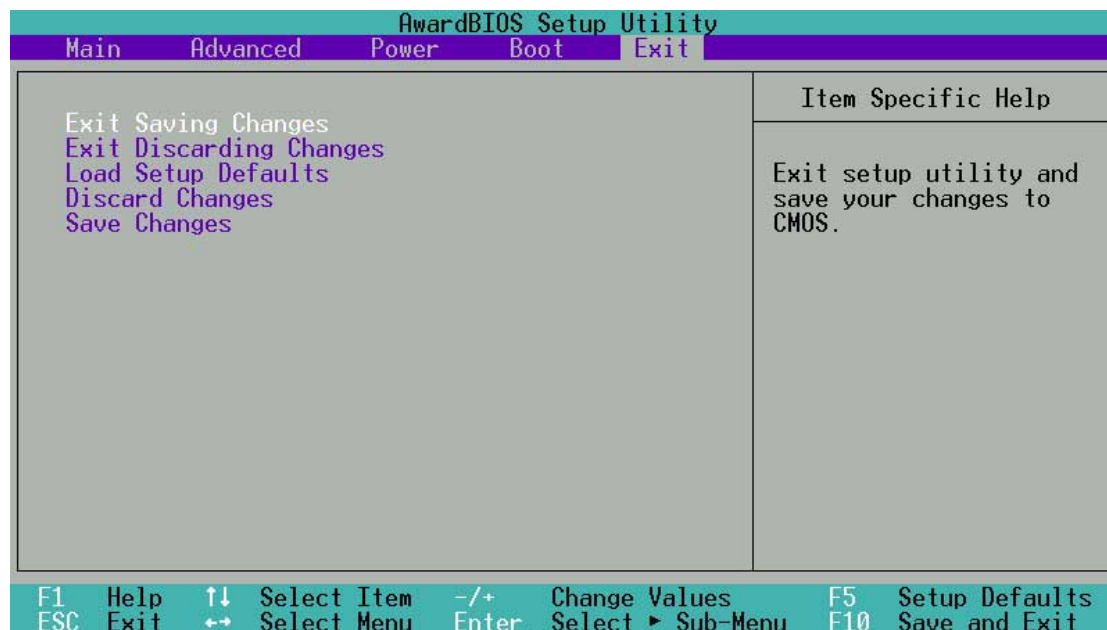
Make sure that the above item is set to [Enabled] if you wish to use the ASUS MyLogo2™ feature.

Interrupt Mode [APIC]

This item controls the IRQ structure. The new APIC creates a range of IRQs larger than the standard 16 IRQ channels. The standard setting of PIC limits the number of IRQs to the standard IRQ0 to IRQ15. Windows 2000 and XP support APIC settings. Select between new APIC or PIC. Configuration options: [APIC] [PIC]

4.7 Exit Menu

When you have made all of your selections from the various menus in the Setup program, save your changes and exit Setup. Select Exit from the menu bar to display the following menu.



Pressing <Esc> does not immediately exit this menu. Select one of the options from this menu or <F10> from the legend bar to exit.

Exit Saving Changes

Once you are finished making your selections, choose this option from the Exit menu to ensure the values you selected are saved to the CMOS RAM. The CMOS RAM is sustained by an onboard backup battery and stays on even when the PC is turned off. When you select this option, a confirmation window appears. Select [Yes] to save changes and exit.



If you attempt to exit the Setup program without saving your changes, the program prompts you with a message asking if you want to save your changes before exiting. Pressing <Enter> saves the changes while exiting.

Exit Discarding Changes

Select this option only if you do not want to save the changes that you made to the Setup program. If you made changes to fields other than system date, system time, and password, the BIOS asks for a confirmation before exiting.

Load Setup Defaults

This option allows you to load the default values for each of the parameters on the Setup menus. When you select this option or if you press <F5>, a confirmation window appears. Select [Yes] to load default values. Select Exit Saving Changes or make other changes before saving the values to the non-volatile RAM.

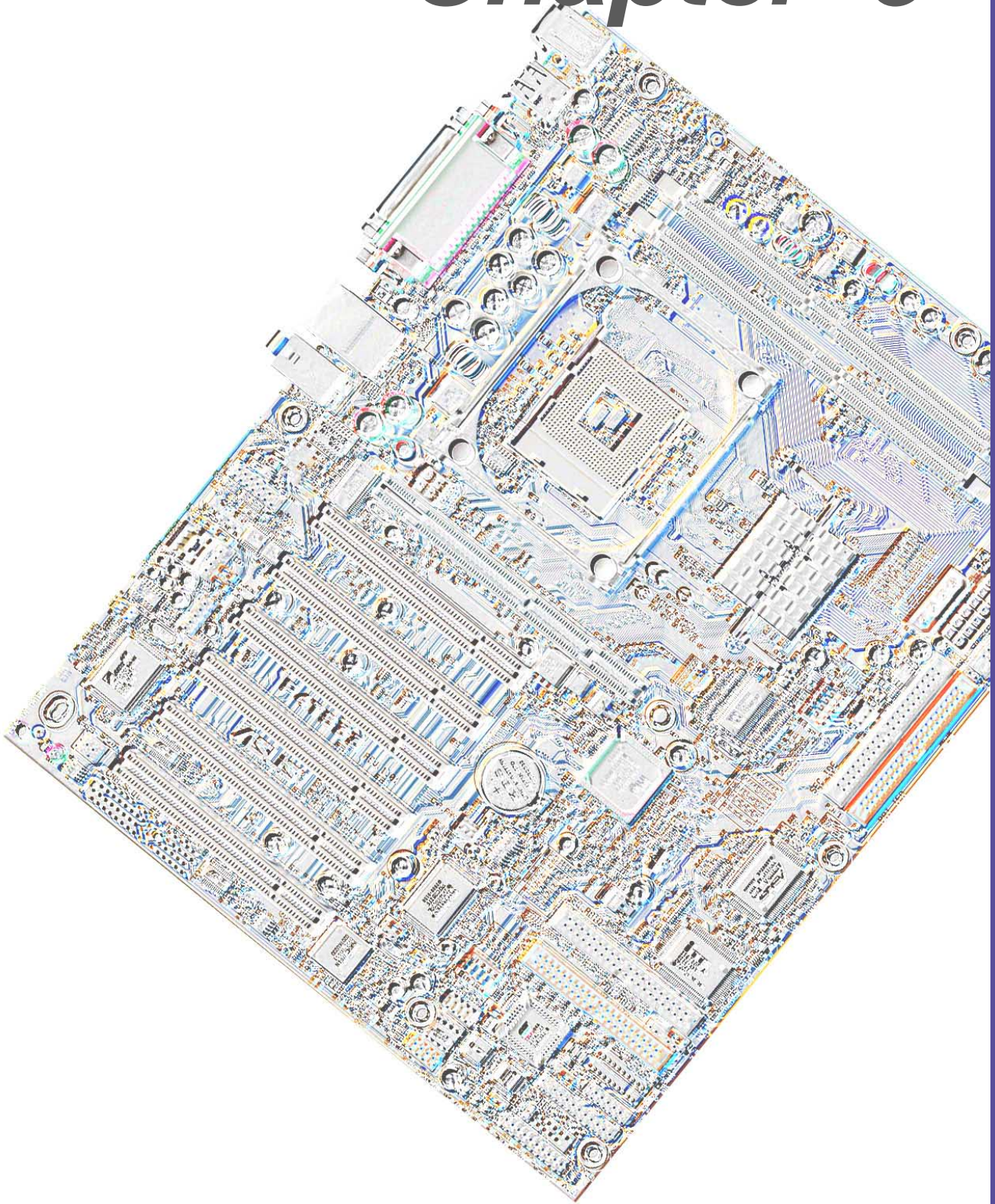
Discard Changes

This option allows you to discard the selections you made and restore the previously saved values. After selecting this option, a confirmation appears. Select [Yes] to discard any changes and load the previously saved values.

Save Changes

This option saves your selections without exiting the Setup program. You can then return to other menus and make further changes. After you select this option, a confirmation window appears. Select [Yes] to save any changes to the non-volatile RAM.

Chapter 5



Software support

5.1 Install an operating system

This motherboard supports Windows 98/ME/NT/2000/XP and OS/2 operating system (OS). Always install the latest OS version and corresponding updates so you can maximize the features of your hardware.

5.1.1 Windows 98 first time installation

When you start Windows for the first time after installing the motherboard, Windows 98 detects all Plug-n-Play devices. Follow the **Add New Hardware** wizard to install the necessary device drivers. When prompted to restart, select **No**. Refer to the following sections in this chapter to install the software and drivers contained in the support CD.



NOTE! Because motherboard settings and hardware options vary, use the setup procedures presented in this chapter for general reference only. Refer to your OS documentation for more information.

5.2 Support CD information

The support CD that came with the motherboard contains useful software and several utility drivers that enhance the motherboard features.



NOTE! The contents of the support CD are subject to change at any time without notice. Visit the ASUS website for updates.

5.2.1 Running the support CD

To begin using the support CD, simply insert the CD into your CD-ROM drive. The CD automatically displays the welcome screen and the installation menus if Autorun is enabled in your computer.

5.3 P4T533 Motherboard Support CD

NOTE: The support CD contents are subject to change without notice.

To begin using your support CD disc, just insert it into your CD-ROM drive and the support CD installation menu should appear. If the menu does not appear, double-click or run D:\ASSETUP.EXE.

5.3.1 Installation Procedure

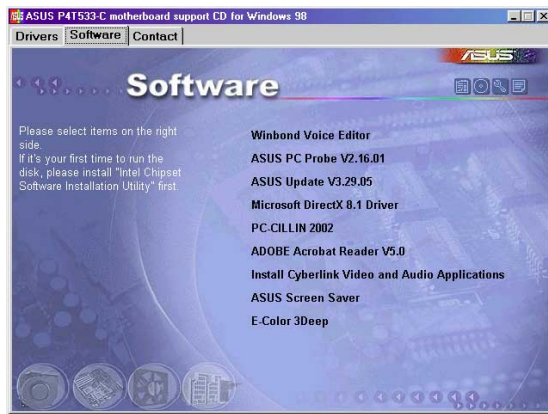
Click on the name of the driver or program group to begin installation. Follow the instructions that appear on the setup screens. All drivers and programs install automatically. Refer to *6. Software Reference* for operating instructions.

5.3.2 Available Installation Menus



Drivers:

- **Intel Chipset Software Installation Utility:** Installs the display drivers.
- **Intel Application Accelerator:** Installs a handy utility to speed up the operation of software applications.
- **C-Media CMI8738 Audio Driver and Application:** Installs the C-Media Audio Driver and multi-channel audio application.
- **USB 2.0 Driver:** Installs the latest driver for the new USB 2.0 protocol.



Software:

- **Winbond Voice Editor:** Installs a convenient utility to customize vocal POST messages.
- **ASUS PC Probe:** Installs a smart utility to monitor your computer's fan, temperature, and voltages.
- **ASUS Update:** Installs a program that can help you update BIOS or download a BIOS image file.
- **Microsoft DirectX Driver:** Installs basic drivers to enable compatibility with audio and other special functions.
- **PC-Cillin 2002:** Installs the latest PC-cillin virus protection software. View online help for more information.
- **ADOBE Acrobat Reader:** Installs the Adobe Acrobat Reader software necessary to view user's manuals saved in PDF format. Updated or other language versions of this motherboard's manual is available in PDF format at any of our web sites.
- **Install Cyberlink Video and Audio Applications:** Installs Cyberlink PowerPlayer SE and Cyberlink VideoLive Mail.
- **ASUS Screen Saver:** Installs a nifty ASUS screen saver.
- **E-Color 3Deep:** Installs graphical driver and an application for tuning the quality of color output from CRT and LCD monitors.



Contact:

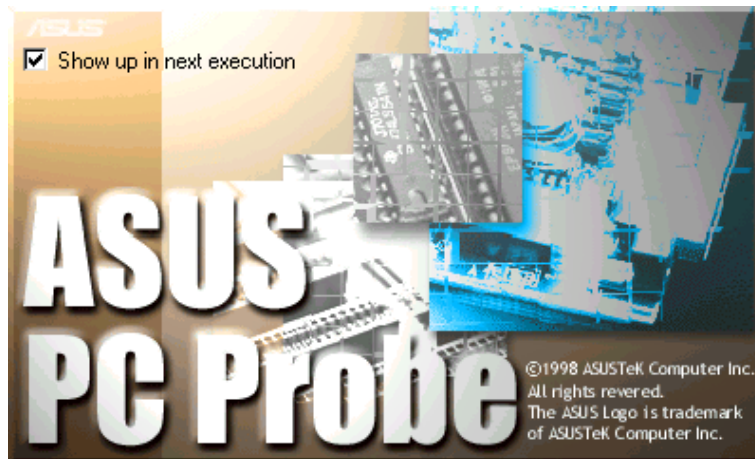
- A list of addresses, phone numbers and ASUS website locations.

5.4 ASUS PC Probe


ASUS PC Probe is a convenient utility to continuously monitor your computer system's vital components, such as fan rotations, Voltages, and temperatures. It also has a utility that lets you review useful information about your computer, such as hard disk space, memory usage, and CPU type, CPU speed, and internal/external frequencies through the DMI Explorer.

5.4.1 Starting ASUS PC Probe

When ASUS PC Probe starts, a splash screen appears allowing you to select whether or not to show the screen the next time you open PC Probe. To bypass this startup screen, clear the **Show up in next execution** check box.



To start **ASUS PC Probe**, click the Windows **Start** button, point to **Programs**, and then **ASUS Utility**, and then click **Probe Vx.xx**.

The PC Probe icon  will appear on the taskbar's system tray indicating that ASUS PC Probe is running. Clicking the icon will allow you to see the status of your PC.

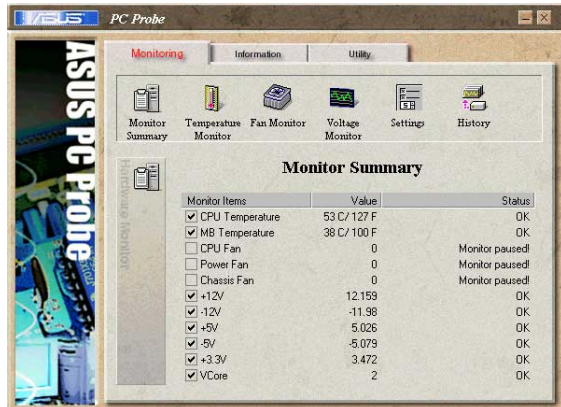


5.4.2 Using ASUS PC Probe

Monitoring

Monitor Summary

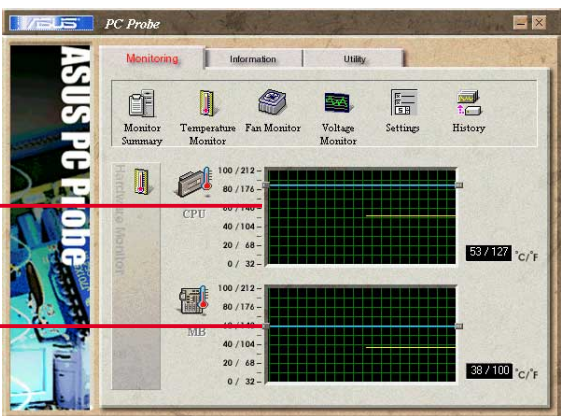
Shows a summary of the items being monitored.



Temperature Monitor

Shows the PC's temperature.

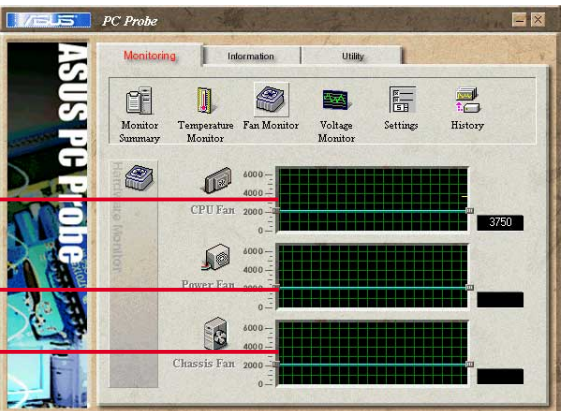
Temperature Warning threshold adjustment
(Move the slider up to increase the threshold level or down to decrease the threshold level)



Fan Monitor

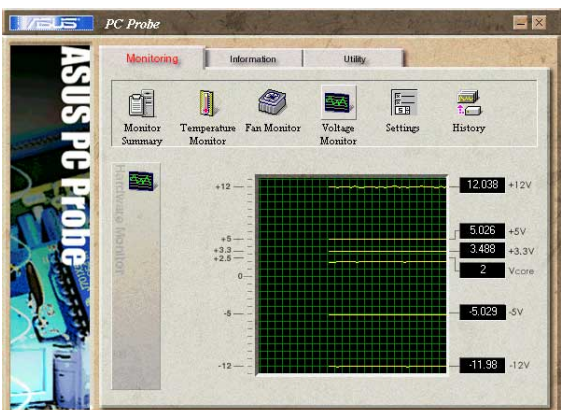
Shows the PC's fan rotation.

Fan Warning threshold adjustment
(Move the slider up to increase the threshold level or down to decrease the threshold level)



Voltage Monitor

Shows the PC's voltages.



Settings

Lets you set threshold levels and polling intervals or refresh times of the PC's temperature, fan rotation, and voltages.



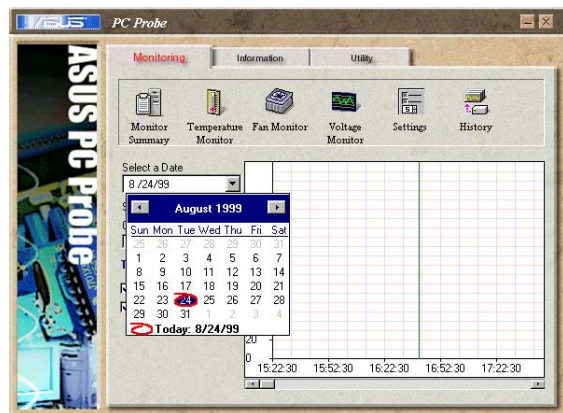
CPU Cooling System Setup

Lets you select when to enable software CPU cooling. When **When CPU Overheated** is selected, the CPU cooling system is enabled whenever the CPU temperature reaches the threshold value.



History

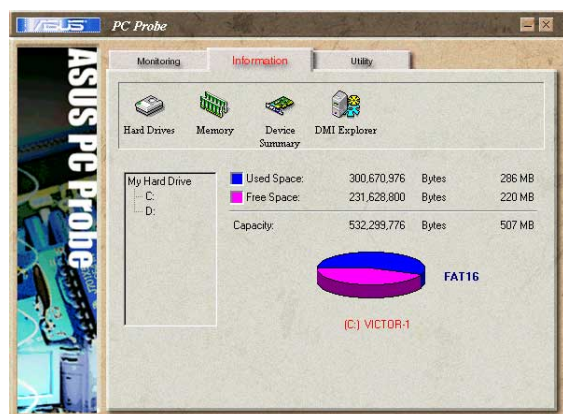
Lets you record the current monitoring activity of a certain component of your PC for future reference.



Information

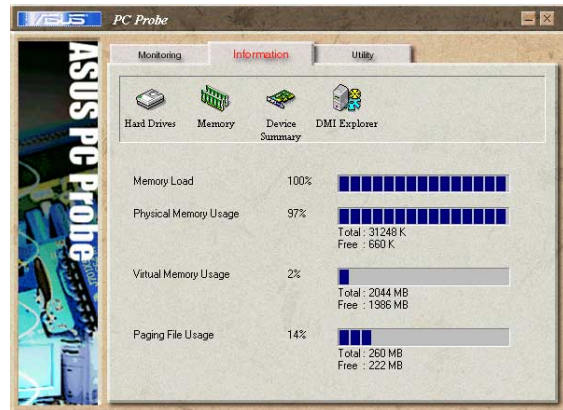
Hard Drives

Shows the used and free space of the PC's hard disk drives and the file allocation table or file system used.



Memory

Shows the PC's memory load, memory usage, and paging file usage.



Device Summary

Shows a summary of devices in your PC.



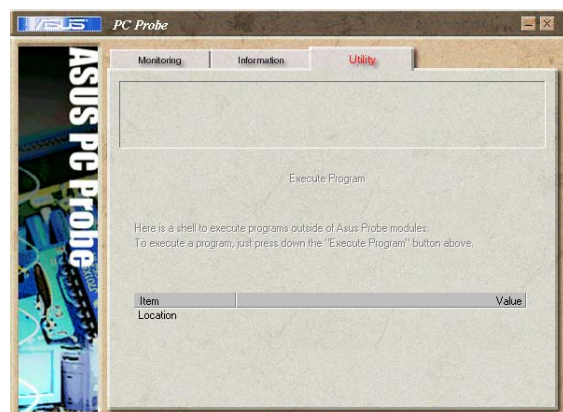
DMI Explorer

Shows information pertinent to the PC, such as CPU type, CPU speed, and internal/external frequencies, and memory size.



Utility

Lets you run programs outside of the ASUS Probe modules. To run a program, click **Execute Program**.

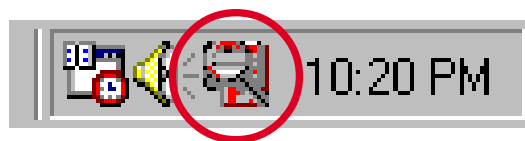


5.4.3 ASUS PC Probe Task Bar Icon

Right-clicking the PC Probe icon will bring up a menu to open or exit ASUS PC Probe and pause or resume all system monitoring.



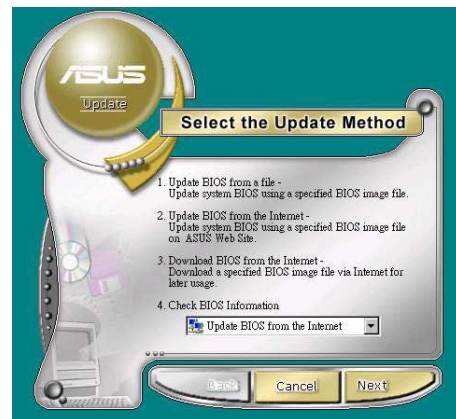
When the ASUS PC Probe senses a problem with your PC, portions of the ASUS PC Probe icon changes to red, the PC speaker beeps, and the ASUS PC Probe monitor is displayed.



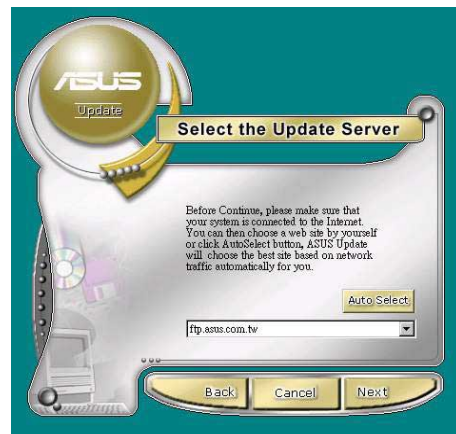
5.5 ASUS Live Update

ASUS LiveUpdate is a utility that allows you to update your motherboard's BIOS and drivers. The use of this utility requires that you are properly connected to the Internet through an Internet Service Provider (ISP).

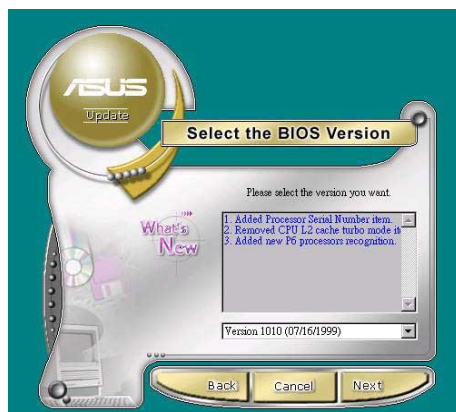
1. Start ASUS Update. Launch the utility from your Windows Start menu: Programs/AsusUpdate.
2. Select an update method.



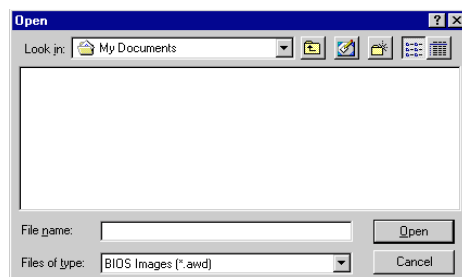
3. If you selected "downloading from the Internet," you will need to select an Internet site. Choose the site that is closest to you or click Auto Select.



4. From the FTP site, select the BIOS version that you wish to download. Click Next.



5. Follow the instructions on the succeeding screens to complete the update process. If you selected the option to update the BIOS from a file, a window pops up prompting you to locate the file. Select the file, click Save, then follow the screen instructions to complete the update process.



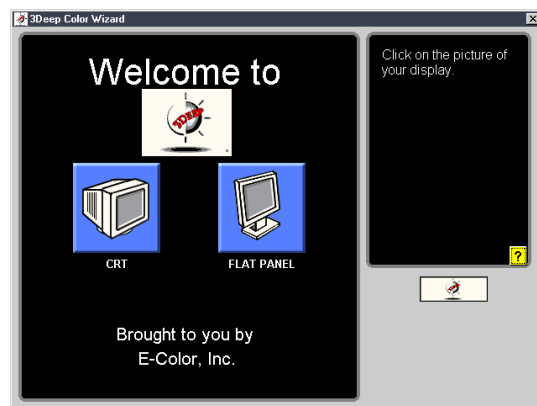
5.6 3Deep Color Tuner

The 3-Deep color tuner is designed to match your CRT or LCD color monitor to maximize the color quality of all graphical applications. Users may also tune their internet applications to match “true” internet source colors with the color displayed on the monitor.

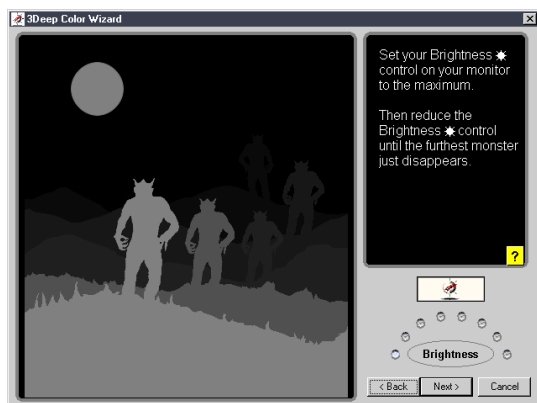
Simply run the setup program from the start menu and follow the instructions on the various setup/test screens.

5.6.1 3Deep Color Tuning

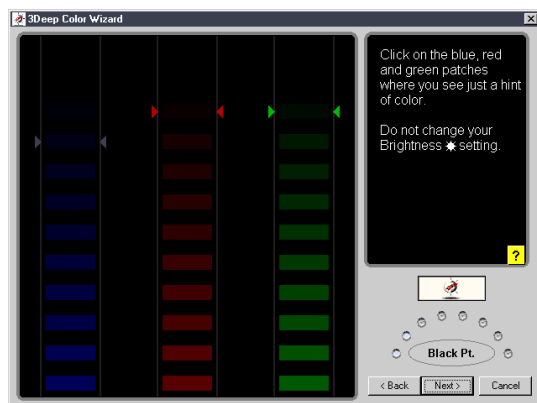
1. Select the type of monitor connected to the computer, either **CRT** or **LCD**.



2. Follow the instructions to manually adjust the **brightness** level of the monitor.

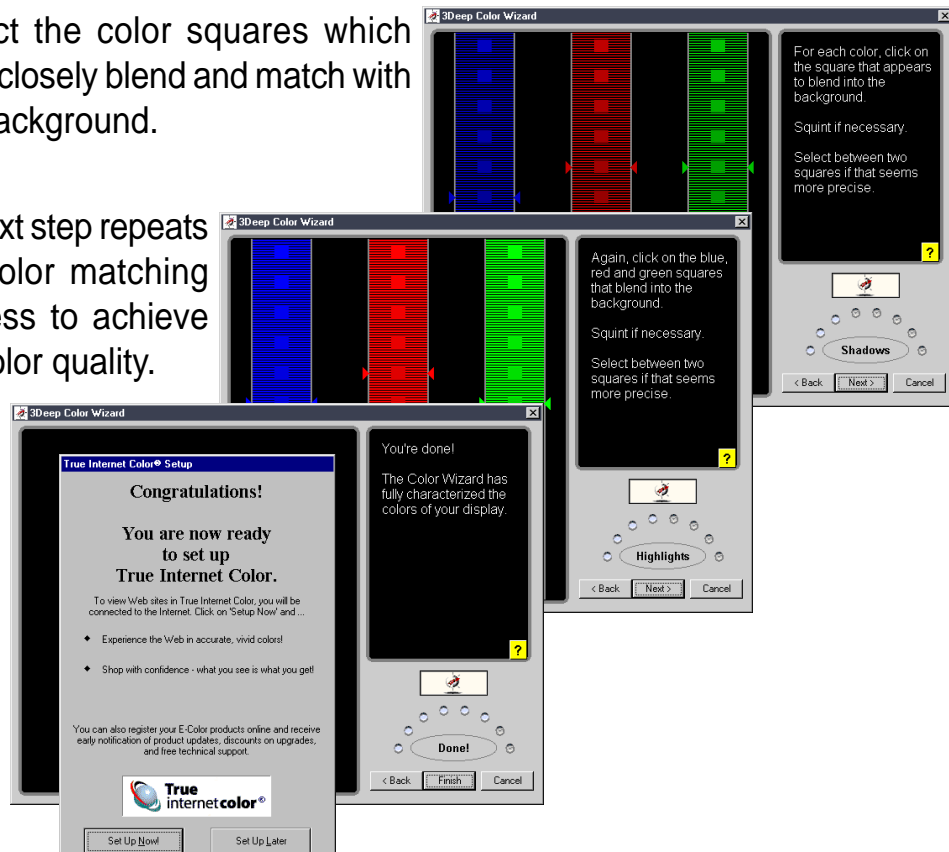


3. Select the faintest of the three colors: **blue**, **red** and **green**.



4. Select the color squares which most closely blend and match with the background.

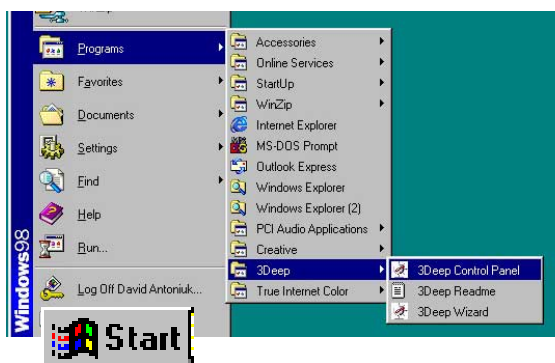
5. The next step repeats the color matching process to achieve full color quality.



6. The tuning process is complete. Click on the bottom left button to connect to the internet and follow the instructions.

5.6.2 The 3Deep Control Panel

Using the Windows **Start** button, activate the **3Deep Control Panel** program from the **3Deep Applications** group on the **Main Program** menu. The control panel offers access to the **Color Wizard** tuning program, a **Game Gamma** setting and a **Tweak** slider for brightness adjustment.



5.7 Winbond Voice Editor

The Winbond Voice Editor software allows you to customize the vocal POST messages. Install the software from the software menu in the support CD. See section “5.2.3 Software menu”.



To avoid conflicts, do not run the Winbond Voice Editor while running the ASUS PC Probe.

Follow these steps to use the Winbond Voice Editor.

Launching the program

Launch the program either from the Winbond Voice Editor icon on your desktop, or from the Windows Start menu, **Programs/Winbond Voice Editor/Voice Editor**.

The Winbond Voice Editor screen appears.

	Voice1	Voice2	Voice3	Voice4	Voice5
CPU installation	nocpu				
NO CPU instruction	cpufail				
Memory Detection	memfail				
VGA Detection	vgafail				
Over Clocking	overclock				
PS2 Keyboard Detection	nokb				
FDD Detection	nofdd				
IDE HDD Detection	nohdd				
CPU Over temperature	overheat				
CPU Voltage Fail	voltage				
CPU FAN Fail	fanfail				
System Check OK	postok				
Start Booting	bootos				

Default Messages

POST Events

Playing the default wave files

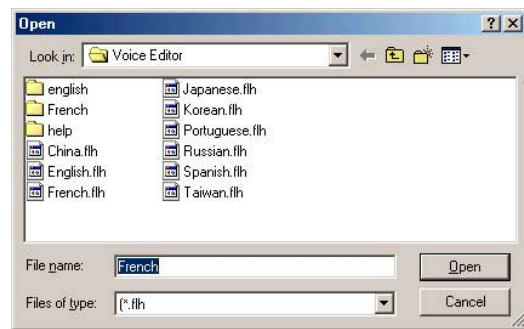
To play the default wave files, simply click on a POST event on the left side of the screen, then click the Play button.



The default language setting is English.

Changing the default language

1. Click on the Load button. a window showing the available languages appears.
2. Select your desired language then click Open. The event messages for the language you selected appear on the Voice Editor screen.



For some languages, not all events have a corresponding message due to file size constraints.

3. Click on the Write button to update the EEPROM.
4. Click Yes on the confirmation window that appears.



The next time you boot your computer, the POST messages are announced in the language that you selected .

Customizing your POST messages

If your language is not in the selection or if you wish to record your own POST messages to replace the pre-installed wave files, you may easily do so.

Follow these steps to customize your POST messages.

1. Launch the Voice Editor and take note of the list of POST events on the leftmost column of the screen.
2. Prepare your message for each event.



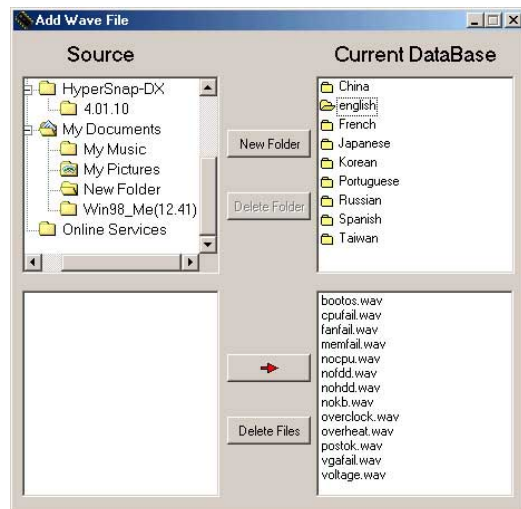
The total compressed size for all the wave files must not exceed 1Mbit, so make your messages as short as possible.

3. Use a recording software, such as Windows Recorder, to record your messages.
4. Save the messages as wave files (.WAV). It is recommended that you save your files in low quality to keep them small. For example, use 8-bit, mono quality at 22Khz sampling rate.

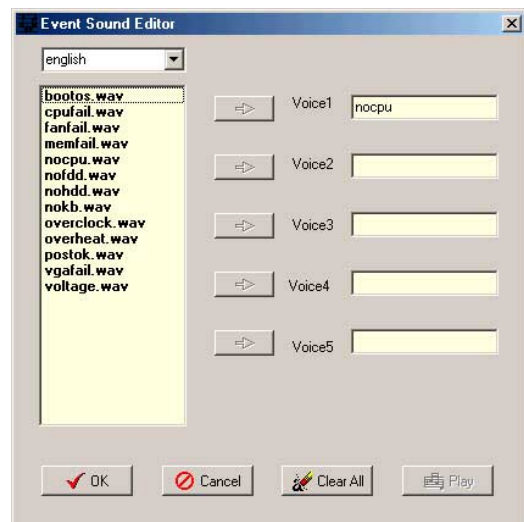


You may want to create a separate folder for your wave files so you can locate them easily in one place.

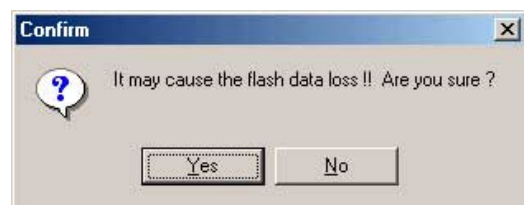
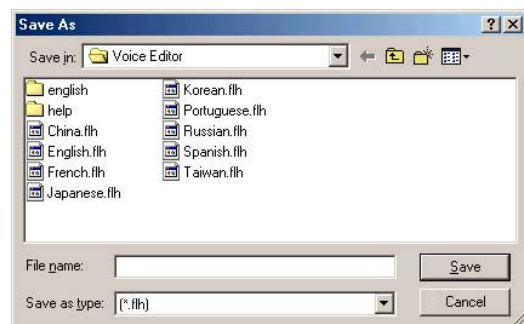
5. From the Voice Editor screen, click on the Add button to display the Add Wave File window.
6. Copy the wave files that you recorded to the database. Close the window when done.



7. Click a POST event on the Voice Editor screen, then on the Edit button. The Event Sound Editor window appears.
8. Locate and select your wave file for the event then click on the arrow opposite Voice1. The file you selected appears on the space next to it.
9. Click OK to return to the Voice Editor screen.
10. Do steps 7 to 9 for the other events.



11. When done, click the Save button. A window appears prompting you to save your configuration.
12. Type a file name with a **.flh** extension, then click Save.
13. Click on the Write button to compress the file and copy into the EEPROM.
14. Click Yes on the confirmation window that appears.



If you receive an error message telling you that the files exceed the total allowable size, do one or all of the following.

- Try to modify your messages to make them shorter
- Save the wave files at a lower quality
- Skip lesser used events like FDD Detection, IDE HDD Detection, etc.

5.8 ASUS MyLogo2™

The ASUS MyLogo2™ is automatically installed when you install the ASUS Update utility from the software menu. See section “5.2.3 Software menu”.



Before using ASUS MyLogo2 feature, use the AFLASH utility to make a copy of your original BIOS file, or obtain the latest BIOS version from the ASUS website.

Make sure that the BIOS item Full Screen Logo is set to [Enabled] is you wish to use ASUS MyLogo2. See page 4-35.

Follow these steps to use ASUS MyLogo2.

1. Launch the ASUS Live Update utility. See section “5.5 ASUS Live Update.”
2. When prompted for the BIOS update method, select the option “Update BIOS from a file.”
3. Specify the location of the BIOS file, such as from a floppy disk. Click Next.
4. From the selection that appears, choose a logo image. Click Next.



If you wish, you may create your own boot logo image in GIF, JPG, or BMP file formats.

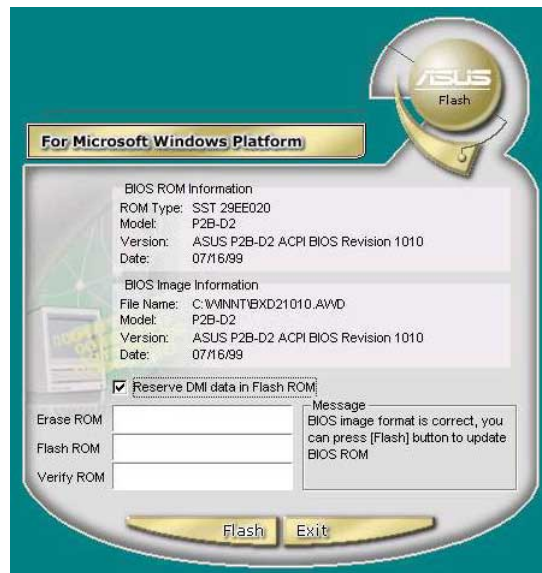
5. When you click on an image, it displays larger on the MyLogo2 screen.





MyLogo2 may not support too complex images. If you encounter any problems using complex images, try using a simpler image. You may also use a photo-editing software to shrink the complex image, lay it over a one-color 640x480 pixel background, and save the image with the background. When you use an image, it will appear smaller and centered on the screen.

6. The next screen prompts you to flash the original BIOS to update it with the new boot logo. Click Flash to update the BIOS.
7. When finished, click Exit, then reboot your computer.
Your system boots with the new boot logo.



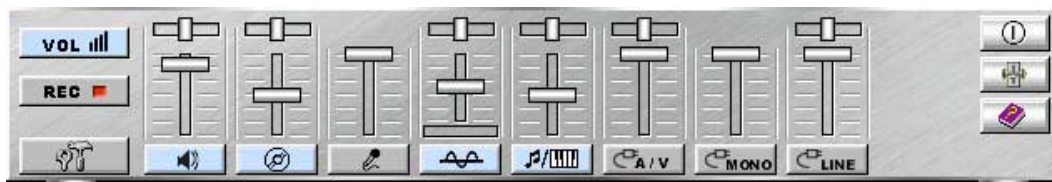
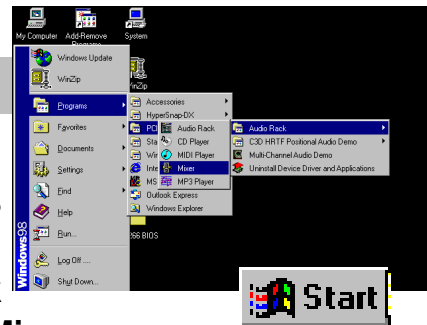
Instead of starting from ASUS Update, you may also launch ASUS MyLogo2 directly from the Windows Start menu to change your BIOS boot logo. After you have modified the BIOS file with the new logo, use the ASUS Update utility to upload the new BIOS into the EEPROM.

5.9 Multi-Channel Audio Feature Setup

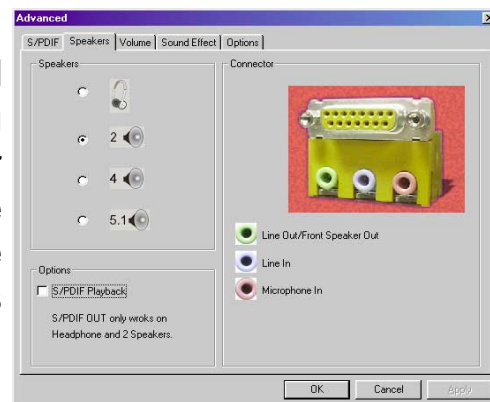
The C-Media PCI Audio Driver and Applications are located on the Support CD. Installing the programs enables the multi-channel audio feature. **Note:** You must use 4 or 6 channel speakers for this setup.

5.9.1 The C-Media Audio Mixer

1. The **C-Media Mixer Icon** appears on the bottom right of the screen, or the **Mixer** may be turned on from the **PCI Audio Applications & Audio Rack** groups on the **Main Program** menu using the **Windows Start** button: Click on the **icon** to display the **C-Media Audio Mixer**:

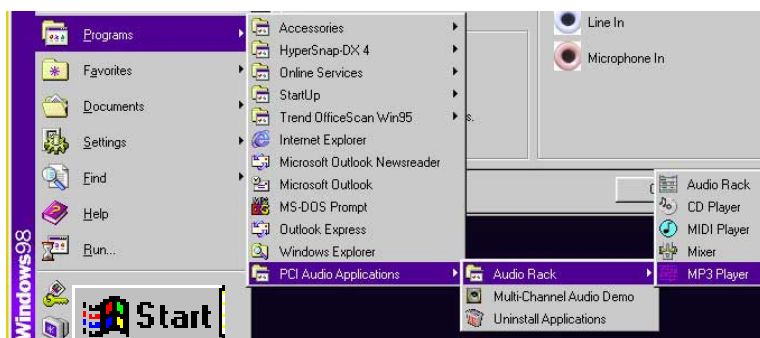


2. The **Tools** button activates the **S/PDIF, Speaker, Volume, Sound Effects** and **Options** menus. The **Speaker** menu offers various configurations for your speaker system. This menu enables the **Line-In** and **Mic-In** audio jacks on the back panel to setup additional speakers for 4 and 6-Channel Audio.

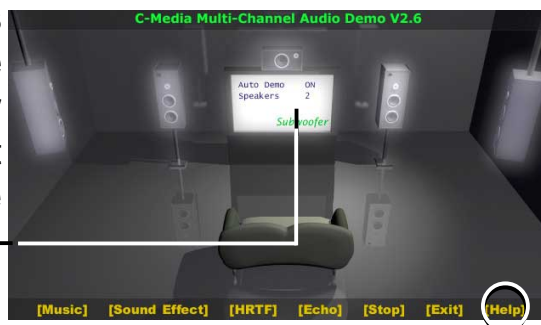


5.9.2 The C-Media Applications

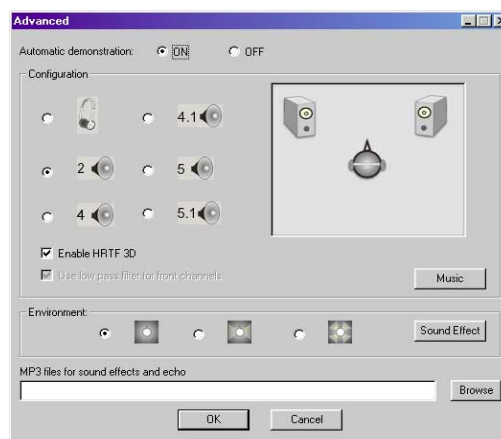
1. Activate the **Multi-Channel Audio Demo** program from the **PCI Audio Applications** group on the **Main Program** menu. Access various applications: the **Audio Rack**, **CD Player**, **MIDI Player**, **Mixer**, and **MP3 Player**.



2. The **PCI Multi-Channel Audio Demo** has several **Demos** to help fine tune your PC speaker system. The **Help** menu features several pages of instructions and hardware diagrams to help configure and test the system. To activate the **Speaker Channel Configuration Menu**, point your mouse arrow and click on the **TV box**.

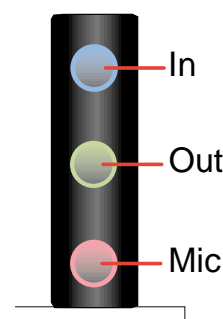


3. The **Speaker Channel Configuration Menu** displays all the options available to help tune the multi-channel audio system even more precisely.



5.9.3 Connector Configuration

The **chart** below displays the configurations for the line connectors on the yellow MIDI/Game/Audio connector port located on the back panel. The three female connectors are available for use in the 6-Channel audio system.



Connector Settings and Functions

	Headphone/ 2-Speaker	4-Speaker	6-Speaker
Lime	Line Out/ Front Spkr Out	Line Out/ Front Spkr Out	Line Out/ Front Spkr Out
Light Blue	Line In	Rear Speaker Out	Rear Speaker Out
Pink	Mic In	Mic In	Center Speaker Out, Sub-woofer

Note: See *Motherboard Settings* for the Bass/Center Jumper settings to fine tune the output signals.

5.10 Using the Promise Chip for RAID 0 or 1

The Promise® chip, PDC20276, onboard the P4T533, offers a high performance Redundant Array of Independent Disks (RAID) configuration that supports only UltraDMA-133/100/66/33, EIDE or FastATA-2 hard disks. After connecting two hard disks to the motherboard, activating either RAID 0 or 1 function is easily configured through the MBFastTrak133™ “Lite” firmware BIOS during boot up. In addition, the support CD permits installation of system drivers according to the Operating System (OS) on your computer. Read through this section in its entirety before setting up a new RAID system.

RAID 0 is also known as “data striping.” Striping optimizes two identical hard disk drives to read and write data in parallel, interleaved stacks. Two hard disks perform the same work as a single drive, and at a sustained data transfer rate double that of a single disk alone. The main advantage of a RAID 0 array is to improve the Speed Performance of data access and storage. With FAT32 and NTFS partitioning, the array will be addressed as one large volume.

RAID 1 is also known as “data mirroring.” Mirroring optimizes two identical hard disk drives to copy all data from one hard disk drive to the other and vice versa. As new data is written, it is duplicated onto both disks using a parallel write process. The main advantage of RAID 1 is that it greatly increases Fault Tolerance of the entire system, especially if each hard disk is connected separately to both ATA-133 IDE channels available on the P4T533. Should one hard disk suffer mechanical trouble, all system data will be preserved on the other drive.



IMPORTANT! Before setting up your new RAID array, verify the status of your hard disks. It is possible to use a pre-existing hard disk for RAID 0 only if the data is backed up before configuring the array as all hard disk data will be lost during the set up. RAID 0 requires at least two hard disks for optimal results. It is possible to use a pre-existing hard disk for RAID 1 to duplicate the source data; also, RAID 1 can set up two or more new disks. The Promise® chip, the FastTrak™ “Lite” BIOS and the FastBuild™ Utility on the P4T533 permit only two disks to be configured in RAID 0 or RAID 1 pairs and combinations; a third, “hot” spare hard disk may be used to support a RAID 1 array; (see the end of this section for more detail). For optimal performance, install only identical hard disks of the same model and storage capacity. Use only UltraDMA-133/100/66 compatible IDE cables and connectors. The Promise® chip also supports UltraDMA-133 specifications of up to 133 MB/sec per disk.

5.10.1 Installing the Hard Disks

The RAID 0 setting allows users to reformat two hard disks with the same new OS simultaneously. RAID 1 arrays can use a pre-existing hard disk along with a blank hard disk, or two new hard disks.



If using an existing HDD and one new HDD to make a new RAID array, make a back-up of all data before starting the configuration.

1. Install the first and second hard disk into the hard disk bays of your system. Connect each hard disk drive with a separate *UltraDMA/100* cable, one to the PRI_RAID connector, and the other to the SEC_RAID connector. (Do not connect any other types of IDE devices to the Promise IDE connectors; they support hard disk drive devices only.)
2. Connect the power cables to the hard disks.
3. Make sure the RAID_SW jumper is set to [1-2] and, if available, ensure the BIOS settings in the *Advanced PCI Configuration* sub-menu are set to enable RAID arrays: “SCSI/ATA100 Boot Sequence” field should be set to [ATA100/SCSI] and the “Load Onboard ATA BIOS” field should be set to [Auto].
4. Boot-up the PC.

5.10.2 Enter FastTrak133 BIOS and FastBuild Utility

1. Boot-up your computer once more. If this is the first time you have booted with two hard disks correctly installed, then *MBFastTrak133™ “Lite”* BIOS scans the IDE drives and displays this screen:

```
MBFastTrak133 (tm) "Lite" BIOS
(c) 1995-2000 Promise Technology, Inc. All Rights Reserved.

No Array is defined . . .

Press <Ctrl-F> to enter FastBuild (tm) Utility or
Press <ESC> to continue booting . . .
```

2. Press <Ctrl-F> keys to display the *FastBuild™ Utility* Main Menu:

```
FastBuild (tm) Utility 1.31 (c) 1996-2000 Promise Technology, Inc.
-----[ Main Menu ]-----

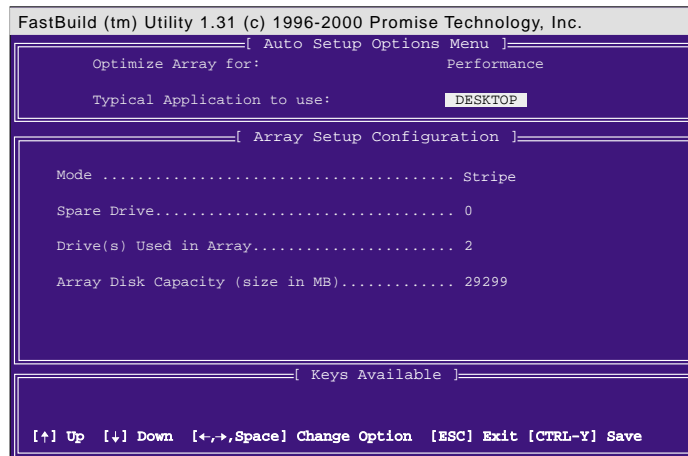
Auto Setup . . . . . [ 1 ]
View Drive Assignments . . . . [ 2 ]
View Array . . . . . [ 3 ]
Delete Array . . . . . [ 4 ]
Rebuild Array. . . . . [ 5 ]
Controller Configuration . . . [ 6 ]

-----[ Keys Available ]-----

Press 1..6 to select Option [ESC] Exit
```

5.10.3 Creating a RAID 0 Array

1. In the FastBuild™ Utility Main Menu, select Auto Setup [1]. The screen below is displayed. The Auto Setup Options Menu configures hard disks for RAID 0 and RAID 1 arrays. These selections assign all available drives that are appropriate for the new array and configures data formats and the IDE channels.



2. Go to the field *Optimize Array for:* and select *Performance* using the arrow and space keys. The Mode field displays *Stripe*.
3. Then go to the Typical Application Menu. Three options are available: *A/V Editing*, *DESKTOP*, or *Server*. These selections determine how data blocks are managed to enhance performance. *A/V Editing* is intended for audio/video applications, or similar programs that require larger file transfers; *Desktop* combines large and small file sizes; *Server* is for numerous file transfers.
4. After making the selection, use <Ctrl-Y> to save it. *FastBuild™* automatically constructs the RAID 0 array.
5. Then the command appears: "Press Any Key to Reboot." Reboot the system and the *MBFastTrak133™ "Lite"* BIOS checks and displays the status of the new array:

```

MBFastTrak133 (tm) "Lite" BIOS
(c) 1995-2000 Promise Technology, Inc. All Rights Reserved.

```

ID	MODE	SIZE	TRACK-MAPPING	STATUS
1*	2+0 Stripe	3257M	723/192/48	Functional

```

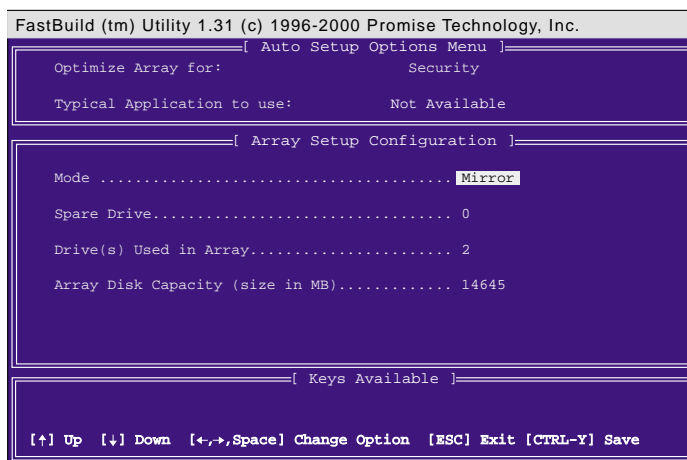
Press <Ctrl-F> to enter FastBuild (tm) Utility

```

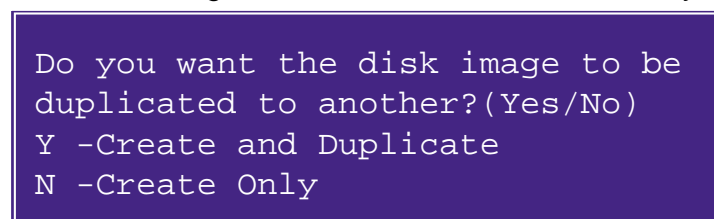
6. To finish installation of your new Operating System to the RAID 0 array, reboot with a floppy disk to format the hard disks with the FDISK command and then install the OS from a CD; alternatively, with a bootable OS CD, you may install the new OS automatically. As you install the OS, the system always treats the RAID 0 array of hard disks as if they are a single drive unit.

5.10.4 Creating a RAID 1 Array

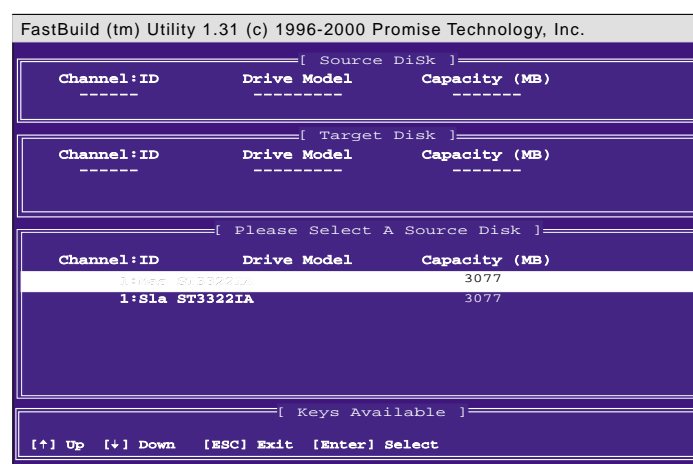
1. In the *FastBuild™* Utility Main Menu, select *Auto Setup* [1].



2. Go to the field *Optimize Array for:* and select *Security*. The *Mode* field displays *Mirror*.
3. After making the selection, use <Ctrl-Y> to save it. *FastBuild™* offers a choice between two options. Use <Y> for *Create and Duplicate* to mirror a pre-existing hard disk formatted with data that you want to save on both hard disks; (Go to step 4.) Use <N> for *Create Only* if using two new hard disks to configure a new RAID 1 mirrored array; (Go to step 6.)



4. If selecting <Y>, for *Create and Duplicate*, this screen will be displayed:



5. The utility prompts: Please Select A Source Disk. Choose the pre-existing hard disk as the source and then a new, blank hard disk as the target. Then select <Ctrl-Y> to save the selection. The utility prompts a choice between <Y> to continue and <N> to stop and escape. Choosing <Y> begins to duplicate the source hard disk onto the target hard disk.
6. To configure two new blank hard disks in a RAID 1 array, choose <N> for Create Only; (At step 3). The FastBuild™ utility configures the RAID 1 array and a message appears: Array has been created... <Press Any Key to REBOOT>
7. Rebooting the system allows the MBFastTrak133™ “Lite” BIOS to display the status of your new array:

```

MBFastTrak133 (tm) "Lite" BIOS
(c) 1995-2000 Promise Technology, Inc. All Rights Reserved.

ID      MODE          SIZE    TRACK-MAPPING  STATUS
-----
1*      1x2 Mirror      1628M   827/64/63      Functional

Press <Ctrl-F> to enter FastBuild (tm) Utility

```

8. If duplicating an original Operating System to another new hard disk, the system will start up automatically. If creating a brand new RAID 1 array only, it will be necessary to install a new OS. Reboot with a rescue floppy disk to format the hard disks with the FDISK command and then install the OS from a CD; alternatively, with a bootable OS CD, install the new OS automatically.

NOTES for Troubleshooting Array Set Ups: Always use two separate UltraDMA/100 cables for linking each of two hard disks to the Primary ATA-100 and the Secondary ATA-100 connectors. Usually, a two disk array will set up properly if both sets of hard disk jumpers are set to *Master*. However, it may be necessary to reset the jumpers on each of the hard disks; in such cases, try *Master* for the *Source* disk, and *Master/Slave* or *Slave* for the *Target* disk. Also, if a Source hard disk larger than the Target disk is selected, the *FastBuild*™ utility suggests using a larger or equal size disk for the Target instead. During reboots after configuring a RAID array, the IDE scan process determines if the system is working okay. Normally the *MBFastTrak133*™ “Lite” BIOS displays system status as *Functional* after rebooting the new RAID array. However, two warnings may appear: *Critical* indicates that one or more drives in the array are not functional, or are disconnected. In this case, enter the *FastBuild*™ Utility to diagnose the problem and replace the faulty drive. The second warning, *Offline*, indicates that one hard disk in a striped array has failed, cannot be detected, or has become disconnected. In this case, adjust or replace the hard disk if necessary and rebuild data from a back-up source.



5.10.5 Other FastBuild Utility Commands

Command options 3-6 on the *FastBuild™ Utility Main Menu* are not required for setting up an array, but they are useful for reconfiguring an array:

View Array (3): View the drive assignments of hard disks in an array.

Delete Array (4): Deletes an array to reconfigure the system. Deleting an array does not remove information on the hard disks. If an array is deleted by mistake, recover it immediately by redefining it as the deleted array.

Rebuild Array (5): This command restores the array and system data after faults on RAID 1 arrays. Follow the steps below to rebuild and restore data in the array:

1. On boot-up, an error message notifies of a system failure.
2. Press <Ctrl-F> keys to enter the FastBuild™ Main Menu.
3. Select <3> for View Array to verify the ID of the defunct hard disk.
4. Power off the system and replace the hard disk with an identical model.
5. Reboot and enter the FastBuild™ Main Menu again.
6. Select <5> for Rebuild Array. The malfunctioning array is highlighted.
Press <Enter> to select it:

```
FastBuild (tm) Utility 1.31 (c) 1996-2000 Promise Technology, Inc.
[ Rebuild Array Menu ]
-----
Array No   RAID Mode   Total Drv   Capacity   Status
-----
Array 1    Mirror      2           1628       Critical
Array 2    -----
Array 3    -----
Array 4    -----
-----
[ Keys Available ]
-----
[+] Up  [↓] Down  [ESC] Exit  [Enter] Select
```

7. Select the replacement drive. Press <Enter>:

```
FastBuild (tm) Utility 1.31 (c) 1996-2000 Promise Technology, Inc.
[ Rebuild Array Menu ]
-----
Array No   RAID Mode   Total Drv   Status
-----
Array 1    Mirror      2           Critical
Stripe Block: Not Available
-----
[ Select Drive for Rebuild ]
-----
Channel: ID      Drive Model      Capacity (MB)
-----
1: Slave        ST3322IA         3077
-----
[ Keys Available ]
-----
[+] Up  [↓] Down  [ESC] Exit  [Enter] Select
```

8. Confirm the command to copy data from the intact source hard disk onto a new replacement hard disk. A progress gauge displays the copy progress for the duration of the task.

9. After the rebuild is complete, the user is prompted to reboot the system.

Controller Configuration (6): Default for Controller Configuration is: [enabled].

5.10.6 Alternative Set Ups and Other Details

Hot Spares

A hot spare hard disk may be installed to support a RAID 1 array. This spare hard disk must share one of the Ultra-DMA/100 cables attached to either of the hard disks active in a RAID 1 array. In the event of a failure of either active hard disk in the array, the “Lite” BIOS detects the hot spare and automatically rebuilds the mirrored data from the functional hard disk. The FastBuild Utility will report a warning message after such a hard disk failure; it may indicate that the good hard disk and the hot spare are connected to the same cable, so then it will be necessary to transfer the hot spare to the other cable and reboot again.

Use Both ATA-100 Connectors

Optimal performance for RAID 0 and 1 arrays require that each hard disk be connected to separate IDE channels; the first hard disk should be connected to the Primary ATA-100 connector and the second hard disk, to the Secondary ATA-100 connector.

Adding Extra Hard Disks

The P4T533 is supplied with two additional Primary IDE and Secondary IDE connectors. Only two hard disks connected to the Primary and Secondary ATA-133 IDE connectors can function in a RAID 0 or RAID 1 array. Extra hard disks may be connected to the system using the onboard IDE connectors, but such disks cannot be configured in a RAID array. In principle, up to eight hard disks or other IDE devices may connect to the P4T533. Whether an array is set up or not, all hard disks connected to the P4T533 will function at the ATA-133 protocol.

Use ATA-133/100, High-RPM Hard Disks with Identical Storage Capacity

The fastest available hard disks should be used in the RAID 0 array to maximize performance. Slower hard disks may be used; however, the RAID 0 array can only double the speed of particular hard disks. Since you can achieve better performance with a single ATA-133 hard disk than with two ATA-33 disks in a RAID 0 array, it is more effective to install two ATA-133 or ATA-100 high-RPM hard disks for an array. Hard disks used for both RAID 0 and 1 arrays should always have the same storage capacity because the RAID protocol automatically formats *both* disks to use only up to the maximum write space available on the smaller of two different hard disks.

5.11 Manual Installation of IDE/RAID Drivers

The P4T533 support CD contains several IDE and RAID 0 or 1 drivers in the Promise folder, including Windows, NetWare and Nt4. Below follow two popular OS installations. The others are available on the support CD.

5.11.1 Win9x-ME Promise® MBFastTrak133™ Lite BIOS

1. Ensure the Support CD-ROM is in the CD Drive and press “Start” button.
2. Move highlight bar to “Settings” and select “Control Panel”.
3. Double click on “System” icon.
4. Select “Device Manager” page.
5. View device by type and find “Other devices” node.
4. Select the “PCI Mass Storage Controller” node and then click “Properties.”
6. Please select [General] page to reinstall driver or select [Driver] page to update the driver.
7. Follow the instruction to insert your Windows CD or ASUS support CD to install the driver.

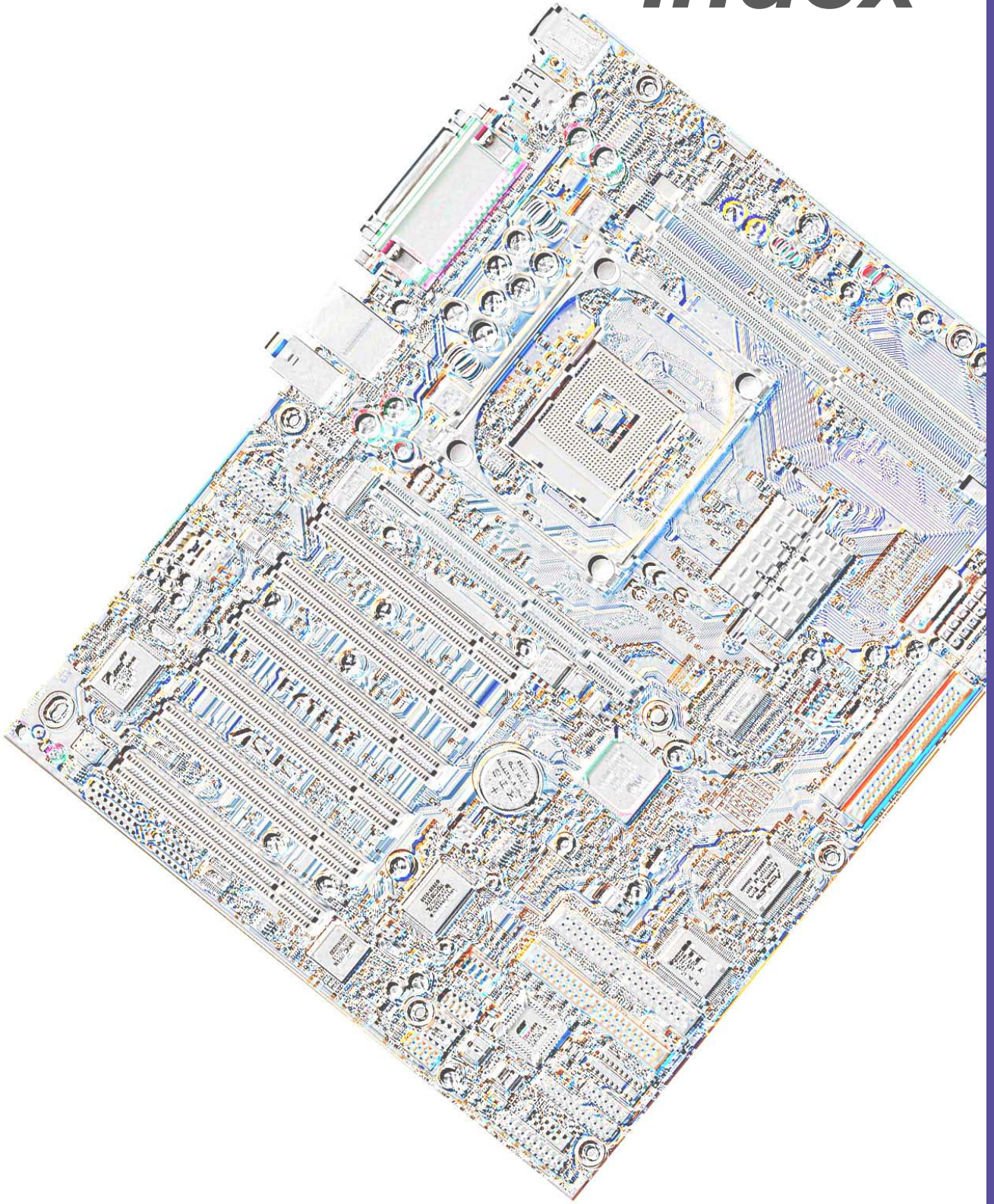
(Driver Location: {CD-ROM driver}:\Promise\Raid0or1\Win9x-ME)

5.11.2 Win2000 Promise® MBFastTrak133™ Lite Driver

1. Right click “My Computer” icon on the desktop. Select “Properties” when the menu appears. Or you can Press “Start” button. Move highlight bar to “Settings” and select: “Control Panel”. Double click on “System” icon.
2. Select “Hardware” page and then click [Device Manager] button.
3. View device by type and find “Other devices” node.
4. Right Click the “Mass Storage Controller” node.
5. When the menu appears, click the “Properties” item.
6. Please select select [Driver] page to update driver.
7. Press Next while “Upgrade Device Driver Wizard” window appears.
8. Choose “Select for a suitable driver for my device(recommended)” option and then press Next.
9. Select “Specify a location” check box.
10. Type or browse the path {CD-ROM Drive}: \Promise \Raid0or1 \Win2000 to the driver and click OK.
11. Press Next.
12. Press Yes.
13. Finally, press Finish to complete the installation.
14. Please restart you computer for these changes to take effect.

(Driver Location: {CD-ROM driver}:\Promise\Raid0or1\Win2000)

Index



Index

Symbols

3Deep Color Tuner
Using 92

A

Accelerated Graphics Port 21
ASUS MyLogo™ 98
ASUS PC Probe
Using 86
ASUS Update
Using 91
ATAPI CD-ROM 78
Automatic Power Up 77

B

BIOS
Advanced Menu 66
Beep Codes 47
Boot Menu 78
Boot Sequence 78
Exit Menu 80
Language 65
Legend Bar 57
Main Menu 59
Menu Bar 57
Power Menu 73
Setup Defaults, loading 81
Setup Program 56
Smart BIOS 2
Sub-menu launching 58
Updating 51
BIOS Beep Codes 47
Boot Device
Selection 78
Boot Up NumLock Status 64
Boot Virus Detection 79

C

C-Media Audio Setup 100
Central Processing Unit (CPU) 11
External Frequency 23
installation 12
Speed 66
Chip Configuration 68
Clear RTC RAM 29
Connectors
Floppy Disk Drive 9
Smart Card Reader 10
CPU external freq. jumper 23

D

DDR Voltage Setting 9, 24
Digital audio interfaces
S/PDIF 6
DIP Switches 22

E

Expansion card
installation 19
IRQ assignments 20
Expansion slots 19

F

Floppy 3 Mode 59
Floppy Disk Drive Connector 9

H

Hard Disk Drives (HDDs)
CHS Capacity 62
Cylinders 62
Heads 62
LBA Capacity 62
Primary/Secondary Master 60
Primary/Secondary Slave 60

- Sectors 62
- Types 60
- Hardware Monitor 77
- Heatsink
 - installation 13

I

- Interrupt Assignments 20

J

- JumperFree™ Mode 22
- Jumpers
 - Clear RTC RAM 29
 - CPU external frequency 23
 - DDR Voltage 9, 24
 - JumperFree mode 22
 - USB device wake-up 25

K

- Keyboard
 - Auto-Repeat Delay 64
 - Auto-Repeat Rate 64
 - Features 64

L

- Legacy Diskette 59
- LiveUpdate 92
 - Using 92

M

- Motherboard
 - IRQ Table 20
 - layout 8, 9
 - placement 7
 - screws 7
- Multi-Channel Audio 100
 - Using 100
- Multi-Sector Transfers 62

O

- Operating system
 - installation 83

P

- Parallel Port 69
 - Modes 69
- Password
 - Supervisor 65
 - User 65
- PC Probe
 - Using 86
- PCI Configuration 71
- PCI Latency Timer 71
- PCI/VGA Palette Snoop 71
- PIO Mode 63
- Plug & Play O/S 79
- POST Messages 48
- POST messages
 - customizing 96
- Power Management 73
- Power On Self Test 79
- PS/2 Keyboard Port 3
- PS/2 Mouse
 - Function Control 67
- PS/2 Mouse Port 3

R

- RAID 1 or 0 102

S

- SDRAM
 - Configuration 68
- Serial Ports 69
- slots
 - AGP 21
 - PCI 21
- SMART Monitoring 63
- Sony/Philips Digital Interface (S/

- PDIF) 6
- Support CD 83
 - Welcome screen 83
 - Winbond Voice Editor 94
- Suspend Mode 74
- System Date 59
- System memory
 - configurations 16
- System Time 59

U

- UART2 71
- Ultra DMA Mode 63
- USB Legacy Support 68
- Using
 - 3Deep Color Tuner 92
 - ASUS Update 91
 - LiveUpdate 92
 - Multi-Channel Audio Feature 100
 - PC Probe 86
- USWC 68

Z

- ZIF socket 11

