

ASUS P8B-C Series Technical Updates

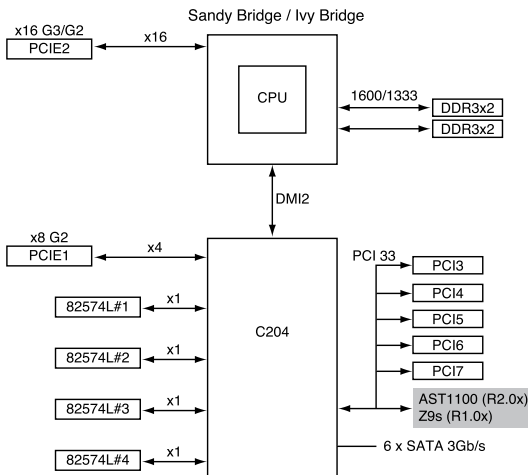
This is an information update for the user guide that comes with your motherboard package.

P8B-C Series specifications summary (page xi)

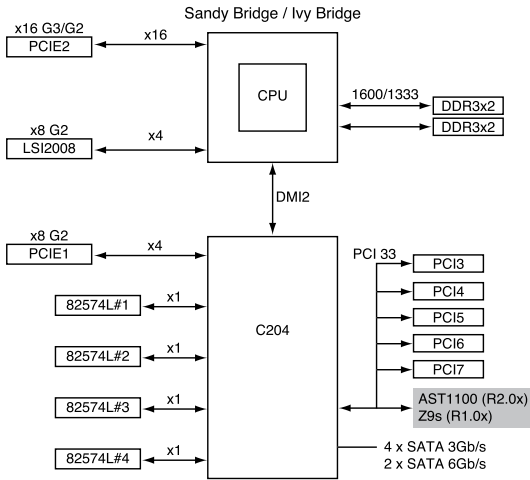
Processor Support / System Bus		Intel® Xeon® E3-1200 v2 Processor Family Intel® Xeon® E3-1200 Processor Family Intel® Core™ i3-2100 Processor Family Intel® Pentium™ G8x0/G6x0 Intel® Celeron™ G5x0/G4x0
Memory	Total Slots	4 (2 Channels)
	Capacity	Maximum up to 32GB
	Memory Type	DDR3 1066/1333/1600* ECC UDIMM * DDR3 1600 can only be supported with Intel® Xeon® E3-1200 v2 Processor
Expansion Slots (follow SSI Location #)	Total PCI/PCI-X/PCI-E Slots	7
	Slot Location 1	1 x PCI 32bit/33 MHz
	Slot Location 2	1 x PCI 32bit/33 MHz
	Slot Location 3	1 x PCI 32bit/33 MHz
	Slot Location 4	1 x PCI 32bit/33 MHz
	Slot Location 5	1 x PCI 32bit/33 MHz
	Slot Location 6	1 x PCI-E x16 (Gen3*/Gen2 x16 link) * Gen3 link can only be supported with Intel® Xeon® E3-1200 v2 Processor
	Slot Location 7	1 x PCI-E x8 (Gen2 x4 link)

A.1 P8B-C series block diagram (page A-3 ~ A-5)

P8B-C/4L (R1.0x/R2.0x)



P8B-C/SAS/4L (R1.0x/R2.0x)



P8B-C/SAS/2L (R1.0x/R2.0x)

