

## ASUS P8B-X Technical Updates

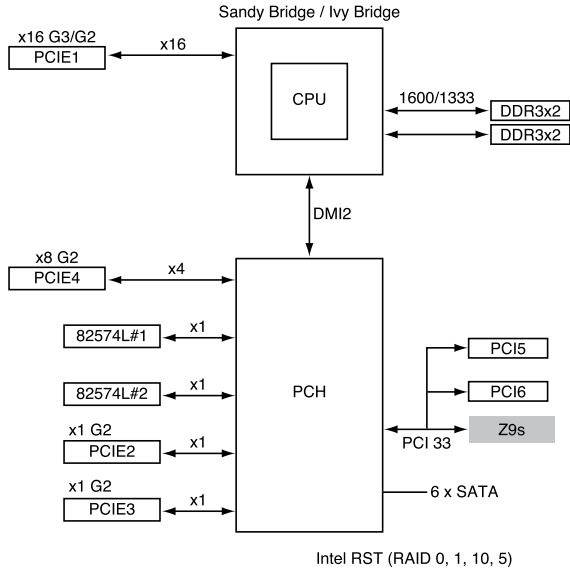
This is an information update for the user guide that comes with your motherboard package.

### P8B-X specifications summary (page xi)

<b>Processor Support / System Bus</b>		1 x Socket LGA1155  Intel® Xeon® E3-1200 v2 Processor Family Intel® Xeon® E3-1200 Processor Family Intel® Core™ i3-2100 Processor Family Intel® Pentium™ G8x0/G6x0 Intel® Celeron™ G5x0/G4x0
<b>Memory</b>	<b>Total Slots</b>	4 (2 Channels)
	<b>Capacity</b>	Maximum up to 32GB
	<b>Memory Type</b>	DDR3 1066/1333/1600* ECC UDIMM  * DDR3 1600 can only be supported with Intel® Xeon® E3-1200 v2 Processor
<b>Expansion Slots (follow SSI Location #)</b>	<b>Total PCI/PCI-X/PCI-E Slots</b>	6
	<b>Slot Location 1</b>	1 x PCI 32bit/33 MHz
	<b>Slot Location 2</b>	1 x PCI 32bit/33 MHz
	<b>Slot Location 3</b>	1 x PCI-E x8 (Gen2 x4 link)
	<b>Slot Location 4</b>	1 x PCI-E x1 (Gen2 x1 link)
	<b>Slot Location 5</b>	1 x PCI-E x1 (Gen2 x1 link)
	<b>Slot Location 6</b>	1 x PCI-E x16 (x16 Gen3*/Gen2 link)  * Gen3 link can only be supported with Intel® Xeon® E3-1200 v2 Processor

# A.1 P8B-X block diagram (page A-3~A-4)

## P8B-X (R1.0x)



## P8B-X (R2.0x)

