

# ***NOTEBOOK PC***

# ***USER'S MANUAL***

Product Name: **Notebook PC**  
Manual Revision: **1.01 E644**  
Release Date: **November 2000**



## Safety Statements

### Federal Communications Commission Statement

This device complies with FCC Rules Part 15. Operation is subject to the following two conditions:

- This device may not cause harmful interference, and
- This device must accept any interference received, including interference that may cause undesired operation.

This equipment has been tested and found to comply with the limits for a class B digital device, pursuant to Part 15 of the Federal Communications Commission (FCC) rules. These limits are designed to provide reasonable protection against harmful interference in a residential installation. This equipment generates, uses, and can radiate radio frequency energy and, if not installed and used in accordance with the instructions, may cause harmful interference to radio communications. However, there is no guarantee that interference will not occur in a particular installation. If this equipment does cause harmful interference to radio or television reception, which can be determined by turning the equipment off and on, the user is encouraged to try to correct the interference by one or more of the following measures:

- Reorient or relocate the receiving antenna.
- Increase the separation between the equipment and receiver.
- Connect the equipment into an outlet on a circuit different from that to which the receiver is connected.
- Consult the dealer or an experienced radio/TV technician for help.



**WARNING! The use of a shielded-type power cord is required in order to meet FCC emission limits and to prevent interference to the nearby radio and television reception. It is essential that only the supplied power cord be used. Use only shielded cables to connect I/O devices to this equipment. You are cautioned that changes or modifications not expressly approved by the party responsible for compliance could void your authority to operate the equipment.**

Reprinted from the Code of Federal Regulations #47, part 15.193, 1993. Washington DC: Office of the Federal Register, National Archives and Records Administration, U.S. Government Printing Office.

### Canadian Department of Communications Statement

This digital apparatus does not exceed the Class B limits for radio noise emissions from digital apparatus set out in the Radio Interference Regulations of the Canadian Department of Communications.

**This Class B digital apparatus complies with Canadian ICES-003.**

**Cet appareil numérique de la classe B est conforme à la norme NMB-003 du Canada.**

**For use with AC Adaptor Model ADP-45GB (Pour Utiliser Avec Modèle ADP-45GB)**

### Power Safety Requirement

Products with electrical current ratings up to 6A and weighing more than 3Kg must use approved power cords greater than or equal to: H05VV-F, 3G, 0.75mm<sup>2</sup> or H05VV-F, 2G, 0.75mm<sup>2</sup>.



## Nordic Cautions (for Notebook PC with Lithium-Ion Battery)



**CAUTION!** Danger of explosion if battery is incorrectly replaced. Replace only with the same or equivalent type recommended by the manufacturer. Dispose of used batteries according to the manufacturer's instructions. (English)

**VORSICHT!** Explosionsgefahr bei unsachgemäßen Austausch der Batterie. Ersatz nur durch denselben oder einem vom Hersteller empfohlenem ähnlichen Typ. Entsorgung gebrauchter Batterien nach Angaben des Herstellers. (German)

**ADVARSELI!** Lithiumbatteri - Eksplosionsfare ved fejlagtig håndtering. Udskiftning må kun ske med batteri af samme fabrikat og type. Levér det brugte batteri tilbage til leverandøren. (Danish)

**WARNING!** Explosionsfara vid felaktigt batteribyte. Använd samma batterityp eller en ekvivalent typ som rekommenderas av apparattillverkaren. Kassera använt batteri enligt fabrikantens instruktion. (Swedish)

**VAROITUS!** Paristo voi räjähtää, jos se on virheellisesti asennettu. Vaihda paristo ainoastaan laitevalmistajan suositteluun tyypin. Hävitä käytetty paristo valmistajan ohjeiden mukaisesti. (Finnish)

**ATTENTION!** Il y a danger d'explosion s'il y a remplacement incorrect de la batterie. Remplacer uniquement avec une batterie du même type ou d'un type équivalent recommandé par le constructeur. Mettre au rebut les batteries usagées conformément aux instructions du fabricant. (French)

**ADVARSEL!** Eksplosjonsfare ved feilaktig skifte av batteri. Benytt samme batteritype eller en tilsvarende type anbefalt av apparatfabrikanten. Brukte batterier kasseres i henhold til fabrikantens instruksjoner. (Norwegian)

注意！この装置は、現在設置されている場所で妨害波の測定がされた情報技術装置です。この場所以外で使用する場合は、その場所で、再び妨害波の測定が必要となります。(Japanese)

## Macrovision Corporation Product Notice

This product incorporates copyright protection technology that is protected by method claims of certain U.S.A. patents and other intellectual property rights owned by Macrovision Corporation and other rights owners. Use of this copyright protection technology must be authorized by Macrovision Corporation, and is intended for home and other limited viewing uses only *unless otherwise authorized by Macrovision Corporation*. Reverse engineering or disassembly is prohibited.



## Safety Statements

### CTR 21 Approval (for Notebook PC with built-in Modem)

#### Danish

„Udstyret er i henhold til Rådets beslutning 98/482/EF EU-godkendt til at blive opkoblet på de offentlige telefonnet som enkeltforbundet terminal. På grund af forskelle mellem de offentlige telefonnet i de forskellige lande giver godkendelsen dog ikke i sig selv ubetinget garanti for, at udstyret kan fungere korrekt på samtlige nettermineringspunkter på de offentlige telefonnet.

I tilfælde af problemer bør De i første omgang henvende Dem til leverandøren af udstyret.»

#### Dutch

„Dit apparaat is goedgekeurd volgens Beschikking 98/482/EG van de Raad voor de pan-Europese aansluiting van enkelvoudige eindapparatuur op het openbare geschakelde telefoonnetwerk (PSTN). Gezien de verschillen tussen de individuele PSTN's in de verschillende landen, biedt deze goedkeuring op zichzelf geen onvoorwaardelijke garantie voor een succesvolle werking op elk PSTN-netwerkaansluitpunt.

Neem bij problemen in eerste instantie contact op met de leverancier van het apparaat.»

#### English

“The equipment has been approved in accordance with Council Decision 98/482/EC for pan-European single terminal connection to the public switched telephone network (PSTN). However, due to differences between the individual PSTNs provided in different countries, the approval does not, of itself, give an unconditional assurance of successful operation on every PSTN network termination point.

In the event of problems, you should contact your equipment supplier in the first instance.”

#### Finnish

“Tämä laite on hyväksytty neuvoston päätöksen 98/482/EY mukaisesti liitettäväksi yksittäisenä laitteena yleiseen kytkentäiseen puhelinverkkoon (PSTN) EU:n jäsenvaltioissa. Eri maiden yleisten kytkentäisten puhelinverkkojen välillä on kuitenkin eroja, joten hyväksyntä ei sellaisenaan takaa häiriötöntä toimintaa kaikkien yleisten kytkentäisten puhelinverkkojen liityntäpisteissä.

Ongelmien ilmetessä ottakaa viipymättä yhteyttä laitteen toimittajaan.”

#### French

«Cet équipement a reçu l'agrément, conformément à la décision 98/482/CE du Conseil, concernant la connexion paneuropéenne de terminal unique aux réseaux téléphoniques publics commutés (RTPC). Toutefois, comme il existe des différences d'un pays à l'autre entre les RTPC, l'agrément en soi ne constitue pas une garantie absolue de fonctionnement optimal à chaque point de terminaison du réseau RTPC.

En cas de problème, vous devez contacter en premier lieu votre fournisseur.»

#### German

„Dieses Gerät wurde gemäß der Entscheidung 98/482/EG des Rates europaweit zur Anschaltung als einzelne Endeinrichtung an das öffentliche Fernsprechnetz zugelassen. Aufgrund der zwischen den öffentlichen Fernsprechnetzen verschiedener Staaten bestehenden Unterschiede stellt diese Zulassung an sich jedoch keine unbedingte Gewähr für einen erfolgreichen Betrieb des Geräts an jedem Netzabschlusspunkt dar.

Falls beim Betrieb Probleme auftreten, sollten Sie sich zunächst an ihren Fachhändler wenden.»

#### Greek

«Ο εξοπλισμός έχει εγκριθεί για πανευρωπαϊκή σύνδεση μεμονωμένου τερματικού με το δημόσιο τηλεφωνικό δίκτυο μεταγωγής (PSTN), σύμφωνα με την απόφαση 98/482/ΕΚ του Συμβουλίου· ωστόσο, επειδή υπάρχουν διαφορές μεταξύ των επιμέρους PSTN που παρέχονται σε διάφορες χώρες, η έγκριση δεν παρέχει ως' εαυτής ανεπιφύλακτη εξασφάλιση επιτυχούς λειτουργίας σε κάθε σημείο απόληξης του δικτύου PSTN.

Εάν ανακύψουν προβλήματα, θα πρέπει κατ' αρχάς να απευθύνεστε στον προμηθευτή του εξοπλισμού σας.»



### CTR 21 Approval (for Notebook PC with built-in Modem)

#### Italian

«La presente apparecchiatura terminale è stata approvata in conformità della decisione 98/482/CE del Consiglio per la connessione paneuropea come terminale singolo ad una rete analogica PSTN. A causa delle differenze tra le reti dei differenti paesi, l'approvazione non garantisce però di per sé il funzionamento corretto in tutti i punti di terminazione di rete PSTN.

In caso di problemi contattare in primo luogo il fornitore del prodotto.»

#### Portuguese

«Este equipamento foi aprovado para ligação pan-europeia de um único terminal à rede telefónica pública comutada (RTPC) nos termos da Decisão 98/482/CE. No entanto, devido às diferenças existentes entre as RTPC dos diversos países, a aprovação não garante incondicionalmente, por si só, um funcionamento correcto em todos os pontos terminais da rede da RTPC.

Em caso de problemas, deve entrar-se em contacto, em primeiro lugar, com o fornecedor do equipamento.»

#### Spanish

«Este equipo ha sido homologado de conformidad con la Decisión 98/482/CE del Consejo para la conexión paneuropea de un terminal simple a la red telefónica pública conmutada (RTPC). No obstante, a la vista de las diferencias que existen entre las RTPC que se ofrecen en diferentes países, la homologación no constituye por sí sola una garantía incondicional de funcionamiento satisfactorio en todos los puntos de terminación de la red de una RTPC.

En caso de surgir algún problema, procede ponerse en contacto en primer lugar con el proveedor del equipo.»

#### Swedish

«Utrustningen har godkänts i enlighet med rådets beslut 98/482/EG för alleuropeisk anslutning som enskild terminal till det allmänt tillgängliga kopplade telenätet (PSTN). På grund av de skillnader som finns mellan telenätet i olika länder utgör godkännandet emellertid inte i sig självt en absolut garanti för att utrustningen kommer att fungera tillfredsställande vid varje telenätsanslutningspunkt.

Om problem uppstår bör ni i första hand kontakta leverantören av utrustningen.»



## Safety Statements

### UL Safety Notices

Required for UL 1459 covering telecommunications (telephone) equipment intended to be electrically connected to a telecommunication network that has an operating voltage to ground that does not exceed 200V peak, 300V peak-to-peak, and 105V rms, and installed or used in accordance with the National Electrical Code (NFPA 70).

When using the Notebook PC modem, basic safety precautions should always be followed to reduce the risk of fire, electric shock, and injury to persons, including the following:

- **Do not use** the Notebook PC near water, for example, near a bath tub, wash bowl, kitchen sink or laundry tub, in a wet basement or near a swimming pool.
- **Do not use** the Notebook PC during an electrical storm. There may be a remote risk of electric shock from lightning.
- **Do not use** the Notebook PC in the vicinity of a gas leak.

Required for UL 1642 covering primary (nonrechargeable) and secondary (rechargeable) lithium batteries for use as power sources in products. These batteries contain metallic lithium, or a lithium alloy, or a lithium ion, and may consist of a single electrochemical cell or two or more cells connected in series, parallel, or both, that convert chemical energy into electrical energy by an irreversible or reversible chemical reaction.

- **Do not** dispose the Notebook PC battery pack in a fire, as they may explode. Check with local codes for possible special disposal instructions to reduce the risk of injury to persons due to fire or explosion.
- **Do not** use power adapters or batteries from other devices to reduce the risk of injury to persons due to fire or explosion. Use only UL certified power adapters or batteries supplied by the manufacturer or authorized retailers.



<b>1. INTRODUCING THE NOTEBOOK PC</b>	<b>11</b>
About This User's Manual .....	12
Notes For This Manual .....	12
Caring Information .....	13
Transportation Precautions .....	14
<b>2. KNOWING THE PARTS</b>	<b>15</b>
Top Side .....	16
Front Side .....	18
Left Side .....	19
Right Side .....	20
Rear Side .....	22
<b>3. GETTING STARTED</b>	<b>25</b>
Installing and Removing the Battery Pack .....	26
Using the Battery Pack .....	27
Before using your Notebook PC on the road .....	27
Battery Care .....	27
Operating Systems .....	27
Support Software .....	27
Power Connection .....	28
Powering ON The Notebook PC .....	29
The Power-On Self Test (POST) .....	29
Save-to-Disk Partition .....	30
Restarting or Rebooting .....	30
Powering OFF the Notebook PC .....	30
Instant Launch & Status Indicators (on selected models) .....	31
CD Control Buttons and Indicator (on selected models) .....	32
Using the Keyboard .....	33
Colored Hot Keys .....	33
Microsoft Windows™ Keys .....	34
Keyboard as a Numeric Keypad .....	34
Keyboard as Cursors .....	35
<b>4. USING THE NOTEBOOK PC</b>	<b>37</b>
Pointing Device .....	38
Using the Touchpad .....	38
Caring for the Touchpad .....	41
Mouse or Keyboard Connection (Optional) .....	41
CD/DVD-ROM Drive .....	42
Laser Safety .....	43
CDRH Regulations .....	43
Using the CD-ROM Drive .....	43
DVD-ROM Drive Information .....	44



## Table of Contents

Regional Playback Information .....	45
Region Definitions .....	45
Listening to Audio CD .....	46
Optional External Connections .....	47
PC Card (PCMCIA) Sockets .....	48
32-bit CardBus Support .....	48
Removing a PC Card (PCMCIA) .....	49
Inserting a PC Card (PCMCIA) .....	49
Modem and Network Connections .....	50
Modem Connection .....	50
Network Connection .....	51
IR Wireless Communication .....	52
Guidelines for using IR communication .....	52
Enabling Infrared .....	52
AC Power System .....	53
Battery Power System .....	53
Charging the Battery Pack .....	53
Using Battery Power .....	54
Power Management Modes .....	55
Full Power Mode & Maximum Performance .....	55
APM and ACPI .....	55
Suspend Mode .....	55
Standby Mode .....	56
Power State Summary .....	56
Thermal Power Control .....	57
System Memory Expansion .....	57
Processor Upgrades .....	57
Hard Disk Drive .....	58
Important Handling Note .....	58
Removing the Hard Disk Drive .....	58
Securing Your Notebook PC .....	59
Other Security Products .....	59
Vehicle/Air Power Adapter (Optional) .....	60
Features .....	60
Usage .....	60





<b>5. CONFIGURING THE BIOS</b>	<b>61</b>
Managing and Updating Your BIOS .....	62
Managing and Updating Your BIOS From Your Hard Disk Drive .....	62
Updating BIOS Procedures (from floppy disk) .....	63
BIOS Setup Program .....	64
BIOS Menu Bar .....	65
BIOS Legend Bar .....	65
Main Menu .....	67
Primary IDE (sub-menu) .....	69
Secondary IDE (sub-menu) .....	71
Advanced Menu .....	72
I/O Device Configuration (sub-menu) .....	74
Security Menu .....	76
Password Usage Summary .....	77
Power Menu .....	78
Power Up Control (Sub-Menu) .....	80
Boot Menu .....	82
Exit Menu .....	83
<b>APPENDIX</b>	<b>85</b>
Internal Modem Compliancy .....	86
Protocols and Compliancy .....	86
Glossary .....	89
Index .....	93
Owner Information .....	96



# ***1. INTRODUCING THE NOTEBOOK PC***

---

**About This User's Manual**  
**Caring Information**  
**Transportation Precautions**



## 1. Introducing the Notebook PC

### About This User's Manual

You are reading the Notebook PC User's Manual. This User's Manual provides information on the various components in the Notebook PC and how to use them. The following are major sections of this User's Manuals:

**1. Introducing the Notebook PC**

Introduces you to the Notebook PC and this User's Manual.

**2. Knowing the Parts**

Gives you information on the Notebook PC's components.

**3. Getting Started**

Gives you information on getting started with the Notebook PC.

**4. Using the Notebook PC**

Gives you information on using the Notebook PC's components.

**5. Configuring the BIOS**

Gives you information on configuring the BIOS software.

**6. Appendix**

Introduces you to optional accessories and gives additional information.

### Notes For This Manual

This User's Manual was created using Macintosh versions of Adobe® PageMaker™ 6.52, Adobe® Photoshop™ 5.5, Adobe® Illustrator® 8.0, and Macromedia® Freehand™ 8.0.1. The body text type used in this manual is "Times" (MAC) or "Times New Roman" (Windows™) and headings are "Helvetica" (MAC) or "Arial" (Windows™). A few notes and warnings in bold are used throughout this guide that you should be aware of in order to complete certain tasks safely and completely. These notes have different degrees of importance as described below:



**WARNING!** Information to prevent damage to components, damage to data, or personal injury.



**TIP:** Tips and useful information for power (advanced) computer users.



**CAUTION!** Information on actions that must be avoided to prevent damage to components, damage to data, or personal injury.



**NOTE:** Tips and information to aid in completing a task.



Text enclosed in < > or [ ] represents a key on the keyboard; do not actually type the < > or [ ] and the enclosed letters.



## Caring Information

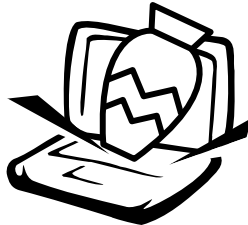


**WARNING!** The following safety precautions will increase the life of the Notebook PC. Follow all precautions and instructions. Except as described in this manual, refer all servicing to qualified personnel. Do not use damaged power cords, accessories, or other peripherals. Do not use strong solvents such as thinners, benzene, or other chemicals on or near the surface.

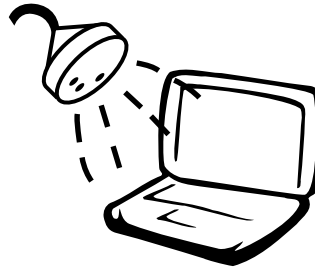
Disconnect the AC power and remove the battery pack(s) before cleaning. Wipe the Notebook PC using a clean cellulose sponge or chamois cloth dampened with a solution of nonabrasive detergent and a few drops of warm water and remove any extra moisture with a dry cloth.



**DO NOT** place on uneven or unstable work surfaces. Seek servicing if the casing has been damaged.



**DO NOT** place or drop objects on top and do not shove any foreign objects into the Notebook PC.



**DO NOT** expose to or use near liquids, rain, or moisture. **DO NOT** use the modem during an electrical storm.



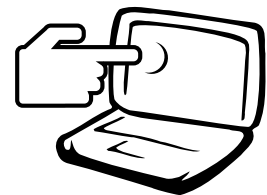
**DO NOT** expose to dirty or dusty environments. **DO NOT** operate during a gas leak.



**DO NOT** expose to strong magnetic or electrical fields.



**DO NOT** expose to extreme temperatures (below 0°C (32°F) or above 50°C (122°F)) or to direct sunlight. Do not block the fan vents! **DO NOT** throw batteries in fires as they may explode. Check local codes for special battery disposal instructions.



**DO NOT** press or touch the display panel. Do not place together with small items that may scratch or enter the Notebook PC.



**WARNING!** Do not leave the base of the Notebook PC on the lap or any part of the body for an extended period while the Notebook PC is turned ON or is charging in order to prevent discomfort or injury from heat exposure.



## 1. Introducing the Notebook PC

### Transportation Precautions

To prepare the Notebook PC for transport, you should turn it OFF and **disconnect all external peripherals to prevent damage to the connectors**. The hard disk drive's head retracts when the power is turned OFF to prevent scratching of the hard disk surface during transport. Therefore, you should not transport the Notebook PC while the power is still ON. Close the display panel and check that it is latched securely in the closed position to protect the keyboard and display panel.

#### Remove Floppy Disks

Make sure that the 1.44MB floppy disk drive does not contain a diskette when transporting internal or external floppy disk drives. When a diskette is inserted into the floppy disk drive, the eject button protrudes out. If you attempt to transport the floppy disk drive with a diskette in the drive, you risk damaging the eject button and also risk scratching the surface of the diskette when the floppy disk drive is jolted.

#### Cover Your Notebook PC

Use a carrying case such as the one supplied with your Notebook PC to protect it from dirt, water, shock, and scratches.



**NOTE: The surface glaze is easily dulled if not properly cared for. Be careful not to rub or scap the Notebook PC surfaces when transporting your Notebook PC.**

#### Charge Your Batteries

If you intend to use battery power, be sure to fully charge your battery pack and any optional battery packs before going on long trips. Remember that the power adapter charges the battery pack as long as it is plugged into the computer and an AC power source. Be aware that it takes much longer to charge the battery pack when the Notebook PC is in use.

#### Airplane Precautions

Contact your airline if you want to use the Notebook PC on the airplane. Most airlines will have restrictions for using electronic devices. Most airlines will allow electronic use only between and not during takeoffs and landings.



**CAUTION! There are three main types of airport security devices: X-ray machines (used on items placed on conveyor belts), magnetic detectors (used on people walking through security checks), and magnetic wands (hand-held devices used on people or individual items). You can send your Notebook PC and diskettes through airport X-ray machines. However, it is recommended that you do not send your Notebook PC or diskettes through airport magnetic detectors or expose them to magnetic wands.**

## ***2. KNOWING THE PARTS***

---

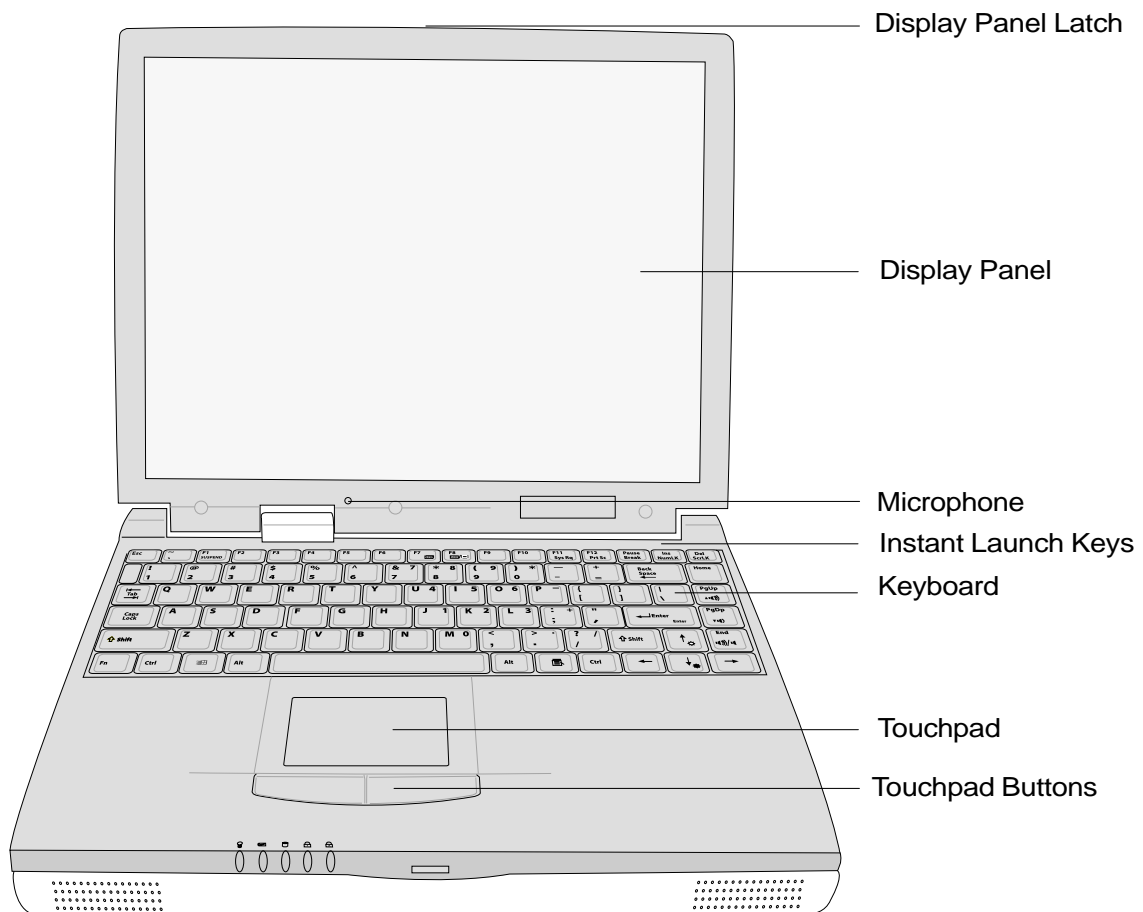
**Top Side**  
**Front Side**  
**Left Side**  
**Right Side**  
**Rear Side**



## 2. Knowing the Parts

### Top Side

Refer to the diagram below to identify the components on the top side of the Notebook PC.



### Opening the Display Panel

One spring-loaded latch on the front of the Notebook PC locks the display panel in the closed position when the Notebook PC is not in use. To open the display panel, **push the latch upward** with your thumb and lift up on the display panel at the same time. This design allows a single hand to be used when opening the display panel. Slowly tilt the display panel forward or backward to a comfortable viewing angle.



**WARNING! When opening, do not force the display panel down to the table or else the hinges may break! Never lift the Notebook PC by the display panel!**





The following describes the components of the Notebook PC as viewed from the top as shown by the illustration on the previous page.

### Display Panel

The display panel functions the same as a desktop monitor. The Notebook PC uses an active matrix TFT LCD, which provides excellent viewing like that of desktop monitors. Unlike desktop monitors, the LCD panel does not produce any radiation or flickering, so it is easier on the eyes.



**NOTE: By default, closing the display panel turns OFF the display to conserve power. Opening the display panel turns the display back ON. You can change the display panel settings in the Advanced Power Management in Windows.**

### Display Panel Care

The LCD screen is very delicate and requires careful handling. Pay attention to the following precautions:

- When not in use, keep the display panel closed to prevent dust accumulation.
- Do not use chemical cleaners on the screen. Wipe only with a dry cloth or tissue.
- Do not put your fingers or any objects directly on the screen.
- Do not press or lay any objects on the machine when it is closed.
- Do not carry the Notebook PC with small or sharp objects (e.g. paper clips or staples) that may enter the Notebook PC and scratch the display panel.



### Microphone

The built-in microphone provides a source for general note taking, voicemail recording, or for use with Internet phone software. See “**Left Side**” for external microphone connection.

### Instant Launch Keys

Three keys above the keyboard provide instant access to predefined applications that may also be redefined by the user. The instant launch keys allows launching of corresponding applications even while the Notebook PC is turned OFF.



### Keyboard

The keyboard provides full-sized keys with comfortable travel (depth at which the keys can be depressed) and palm rest for both hands. Two Windows™ function keys are provided to help ease navigation in the Windows™ operating system.

### Touchpad and Buttons

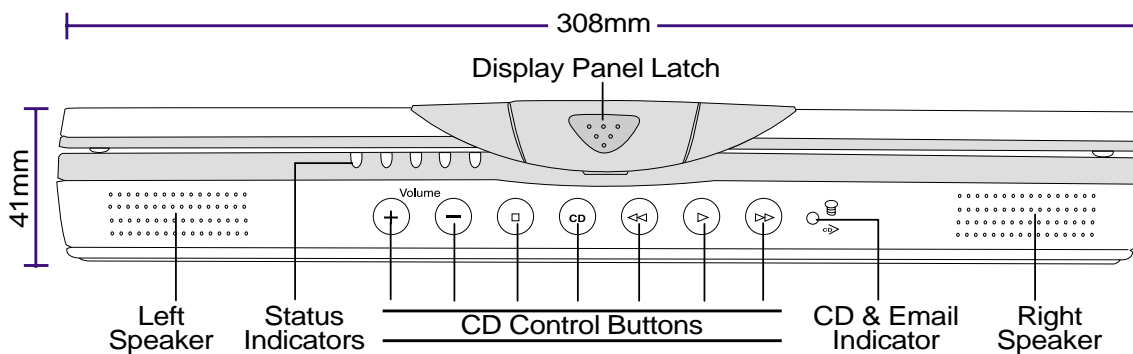
The touchpad with its buttons is a pointing device that provides the same functions as a desktop mouse. A software-controlled scrolling function is available after setting up the included touchpad utility to allow easy Windows or web navigation.



## 2. Knowing the Parts

### Front Side

Refer to the diagram below to identify the components on the front side of the Notebook PC.



#### Display Panel Latch

One display panel latch is used to lock the display panel in the closed position. To open the display panel, **push the latch upward** with your thumb and lift up on the display panel at the same time.

#### Speaker

The built-in stereo speakers allow you to separately hear left and right channel audio without additional attachments. The multimedia sound system features an integrated digital audio controller that produces rich, vibrant sound in high quality 16-bit stereo. All audio features are software controlled.

#### Status Indicators

The Notebook PC has LEDs to display power status, charge status, storage device access, number lock, and capital lock statuses. Details are described in section 3.

#### CD Control Buttons & CD Indicator (on selected models)

(described in section 3)

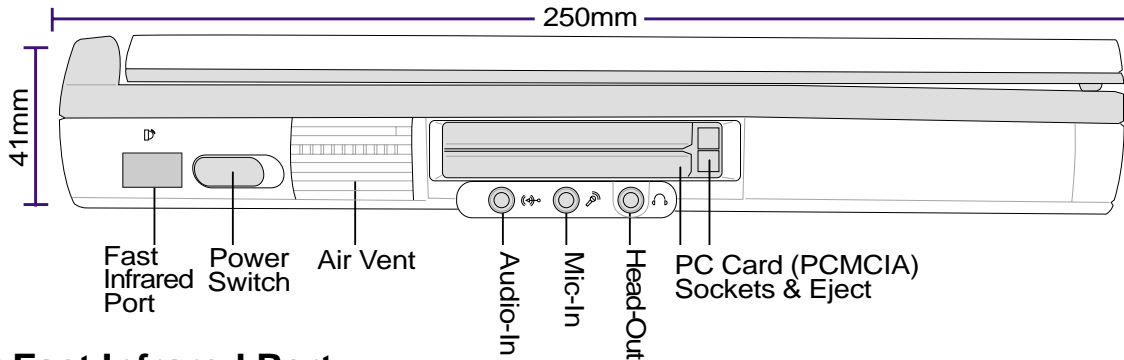
#### Email Indicator

This LED is shared with the CD indicator. The email indicator flashes when there is one or more new email(s) in your email program's inbox. This function requires software setup and may not be currently configured on your Notebook PC. This function is designed for Microsoft email software only and may not work with email software from other companies.



## Left Side

Refer to the diagram below to identify the components on the left side of the Notebook PC.



### Fast Infrared Port

The fast infrared (IrDA) communication port allows convenient wireless data communication with infrared-equipped devices or computers up to 4Mbps/sec. This allows easy wireless synchronization with PDAs or mobile phones and even wireless printing to printers. If your office supports IrDA networking, you can have wireless connection to a network anywhere provided there is a direct line of sight to an IrDA node. Small offices can use IrDA technology to share a printer between several closely placed Notebook PCs and even send files to each other without a network.

### Power Switch

The power switch allows powering ON and OFF the Notebook PC. **Slide** the switch once to turn ON and once to turn OFF the Notebook PC. To prevent accidental turning OFF of the power, it is designed to take longer (about 4 seconds) to turn OFF than to turn ON the power.

### Air Vent

The air vents allow fresh air to be used to circulate warm air out of the Notebook PC. Be careful not to block the air vents!

### Audio-In Jack

The audio in provides stereo input from audio sources.

### Microphone Jack

The mono microphone jack can be used to connect an external microphone or output signals from audio devices. Using this jack automatically disables the built-in microphone.

### Headphone Jack

The stereo headphone jack is used to connect the Notebook PC's audio out signal to amplified speakers or headphones. Using this jack automatically disables the built-in speakers.

### PC Card (PCMCIA) Sockets and Eject

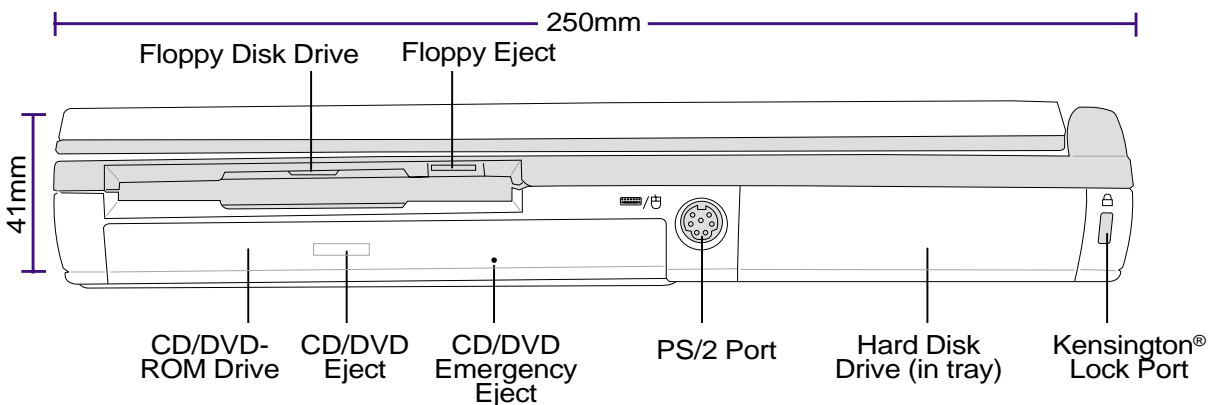
Two PCMCIA 2.1 compliant sockets for two Type I or Type II or one Type III PC card are available. Both sockets support 32-bit CardBus. This allows accommodation of all Notebook PC expansion options such as memory cards, ISDN, SCSI adapters, and wireless network adapters. The two eject buttons allow easy ejection of individual PC cards.



## 2. Knowing the Parts

### Right Side

Refer to the diagram below to identify the components on the right side of the Notebook PC.



The following describes the components on the right side of the Notebook PC as shown by the illustration above.

#### Floppy Disk Drive and Floppy Eject

This is a standard 1.44MB floppy disk drive with Japanese 3-mode floppy support. Floppy disk activity should be seen through the activity LED **above the keyboard**. Unlike desktop PC floppy disk drives, the eject button of the Notebook PC is on top of the opening to allow easy floppy ejection from the top.



**WARNING!** The floppy disk drive's eject button protrudes out of the Notebook PC when a floppy disk is fully inserted and can be easily damaged if struck. Eject the floppy disk before transporting the Notebook PC.

#### CD/DVD-ROM Drive

The Notebook PC comes in a CD-ROM model or a DVD-ROM model (the DVD-ROM is also capable of reading CDs).

#### CD/DVD-ROM Eject and Emergency Eject

The CD/DVD-ROM eject is an electronic eject button for opening the tray. You can also eject the CD/DVD through the software CD/DVD player or by right clicking the CD/DVD drive in Windows™ “My Computer.” The emergency eject is used to eject a CD/DVD in case the electronic eject does not work. Do not use this in place of the electronic eject.

#### PS/2 Port

The PS/2 port is for connecting an external PS/2 mouse or PS/2 keyboard to the Notebook PC if you do not want to use the built-in pointing device and keyboard. Simultaneous use of two PS/2 devices requires an optional PS/2 Y-adaptor. It is recommended that you use either a USB mouse or a USB keyboard so that dual PS/2 connections are not required.



### **Hard Disk Drive**

The hard disk drive is mounted in a removable tray. This tray is secured by a large black screw at the bottom of the Notebook PC. The removable tray allows easy hard disk drive swapping or upgrade.

### **Kensington® Lock Port**

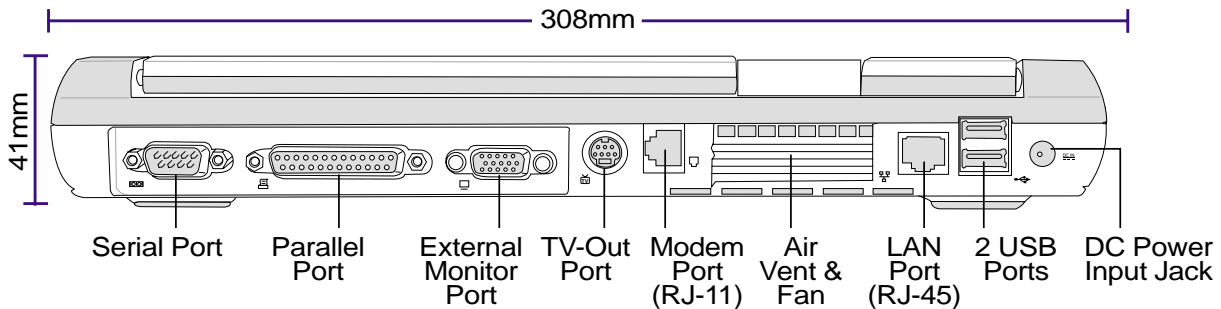
The Kensington® lock port allows the Notebook PC to be secured using Kensington® compatible Notebook PC security products. These security products usually include a metal cable and lock that prevent the Notebook PC to be removed from a fixed object. Some security products may also include a motion detector to sound an alarm when moved.



## 2. Knowing the Parts

### Rear Side

Refer to the diagram below to identify the components on the rear side of the Notebook PC.



The following describes the components on the rear side of the Notebook PC as shown by the illustration above.

#### **Serial Port**

The 9-pin D-sub serial port supports serial devices such as a drawing tablet, serial mouse, PDA cradle, cellular phone link.

#### **Parallel Port**

The 25-pin D-sub parallel/printer port supports parallel devices such as a printer or a removable drive.

#### **External Monitor Port**

The 15-pin D-sub monitor port supports a standard VGA-compatible device such as a monitor or projector to allow viewing on a larger external display. An external monitor can also be used for dual-view or dual-application support to allow referencing data on one display while working on the other display. This feature can really increase your productivity!

#### **TV-Out Port (on selected models)**

For times when you need a really big display, try the TV-Out function. TV-Out allows a high definition connection to a television or video device using a Super VHS (S-Video) cable (not provided). An adapter is provided for use with RCA inputs available on all standard video devices. This port support NTSC or PAL formats.

#### **Modem Port**

The RJ-11 telephone port supports an RJ-11 telephone cable. The internal modem supports up to 56K V.90 transfers.



**WARNING! The built-in modem does not support the voltage used in digital phone systems. Do not connect the modem port to a digital phone system or else damage will occur to the Notebook PC.**



### **Air Vent & Cooling Fan**

The cooling fan turns ON when the temperature rises past a set threshold. The cooling fan is an extra feature needed for upgrading to faster processors in the future. The air vents allow cool air to enter and warm air to exit the Notebook PC. Do not block the air vents or else overheating may occur!

### **LAN Port**

The RJ-45 LAN port supports an RJ-45 Ethernet cable. The internal LAN supports 10Base-T or 100Base-TX standard or duplex networks.

### **USB Port**

Universal Serial Bus (USB) supports many USB compatible devices such as keyboards, pointing devices, video cameras, modems, hard disk drives, printers, monitors, and scanners connected in a series up to 12Mbits/sec. USB allows up to 127 devices to run simultaneously on a single computer, with peripherals such as USB keyboards and some newer monitors acting as additional plug-in sites or hubs. USB supports hot-swapping of devices so that peripherals can be connected or disconnected while the Notebook PC is ON.

### **DC Power Input Jack**

The supplied power adapter converts AC power to DC power for use with this jack. Power supplied through this jack supplies power to the Notebook PC and charges the internal battery pack.





## **3. GETTING STARTED**

---

- Installing/Removing Battery Pack**
- Using the Battery Pack**
- Operating Systems**
- Power Connection**
- Powering ON The Notebook PC**
- Save-to-Disk Partition**
- Restarting or Rebooting**
- Powering OFF The Notebook PC**
- Instant Launch Keys and Status Indicators**
- CD Control Buttons and Indicator**
- Using the Keyboard**



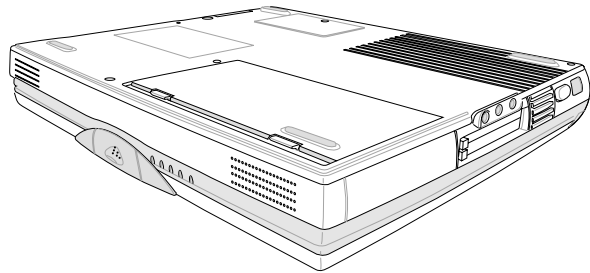
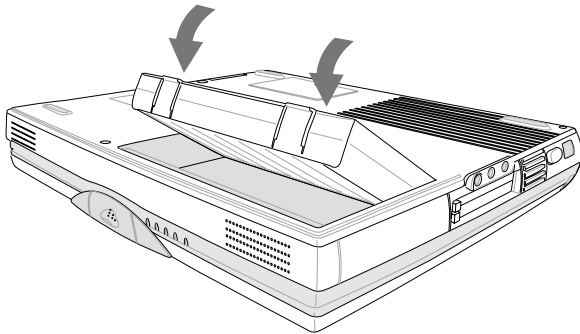
### 3. Getting Started

## Installing and Removing the Battery Pack

Your Notebook PC may or may not have its battery pack installed. If your Notebook PC does not have its battery pack installed, there will be a large opening at the bottom of the Notebook PC. Use the following procedures to install or remove the battery pack.

### To install a battery pack:

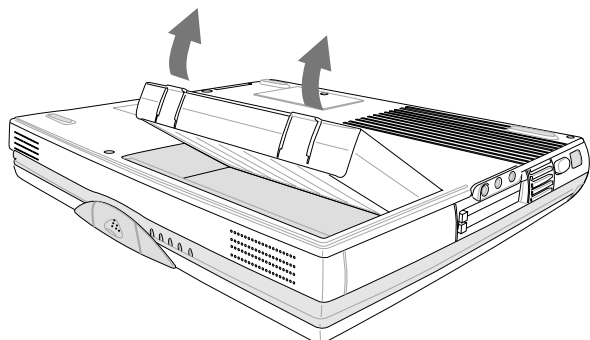
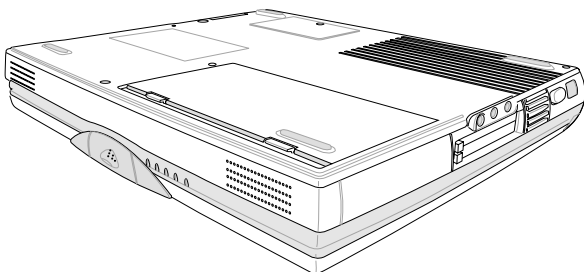
1. Hold the battery pack on the side with the two tabs as indicated by the arrows. Insert the battery pack with the connector side against the connectors in the battery compartment.
2. Lower the battery pack so that it seats properly in the compartment. Press down on the battery pack to lock the tabs in place.



**WARNING!** Never attempt to remove the battery pack while the Notebook PC is turned ON, as this may result in the loss of working data.

### To remove the battery pack:

1. Lift the two tabs on the battery pack.
2. Lift the battery pack out of the compartment by the tabs as indicated by the arrow.



**WARNING!** Only use battery packs and power adapters supplied with this Notebook PC or specifically approved by the manufacturer or retailer for use with this model.



# Using the Battery Pack

## Before using your Notebook PC on the road

Before you use your Notebook PC on the road, you will have to charge the battery pack. The battery pack begins to charge as soon as the Notebook PC is connected to external power. Fully charge the battery pack before using it for the first time. A new battery pack must completely charge before the Notebook PC is disconnected from external power. The battery pack is fully charged when the battery charge light turns OFF. It takes a few hours to fully charge the battery when the Notebook PC is turned OFF and may take twice the time when the Notebook PC is turned ON.

## Battery Care

The Notebook PC's battery pack, like all rechargeable batteries, has a limit on the number times it can be recharged. Fully draining and charging the battery once a day every day will last over a year but how long beyond that will depend on your environment temperature, humidity, and how your Notebook PC is used. It is ideal that the battery be used in a temperature range between 10°C and 29°C (50°F and 85°F). You must also take into account that the Notebook PC's internal temperature is higher than the outside temperature. Any temperatures above or below this range will shorten the life of the battery. But in any case, the battery pack's usage time will eventually decrease and a new battery pack must be purchased from an authorized dealer for this Notebook PC. Because batteries also have a shelf life, it is not recommended to stock up on battery packs for the future.

## Operating Systems

This Notebook PC offers its customers the choice of a pre-installed operating system such as **Microsoft Windows ME (Millennium Edition) or Windows 2000**. The choices and languages will depend on the territory. The levels of hardware and software support may vary depending on the installed operating system. Operating systems not pre-installed on this Notebook PC may produce different results than the ones described in the provided user's manuals.

## Support Software

This Notebook PC comes with a support CD that provides BIOS, drivers and applications to enable hardware features, extend functionality, help manage your Notebook PC, or add functionality not provided by the native operating system. If updates or replacement of the support CD is necessary, contact your dealer for web sites to download individual software drivers and utilities.

The support CD contains all drivers, utilities and software for all popular operating systems including those that have been pre-installed. The support CD does not include the operating system itself. The support CD is necessary even if your Notebook PC came pre-configured in order to provide additional software not included as part of the factory pre-install.

A recovery CD is optional and includes an image of all the drivers and utilities included on the factory installed hard drive as well as the operating system itself. The recovery CD provides a comprehensive recovery solution that quickly restores the Notebook PC's operating system and software to its original working state provided that your hard disk drive is in good working order. Contact your retailer if you require such a solution.



## 3. Getting Started

### Power Connection

Your Notebook PC comes with a universal AC-DC adapter. That means that you may connect the power cord to any 110V-120V as well as 220V-240V outlets without setting switches or using power converters. Different countries may require that an adapter be used to connect the provided US-standard AC power cord to a different standard. Most hotels will provide universal outlets to support different power cords as well as voltages. It is always best to ask an experienced traveler about AC outlet voltages when bringing power adapters to another country.



**TIP: You can buy travel kits for the Notebook PC that includes power and modem adapters for almost every country.**

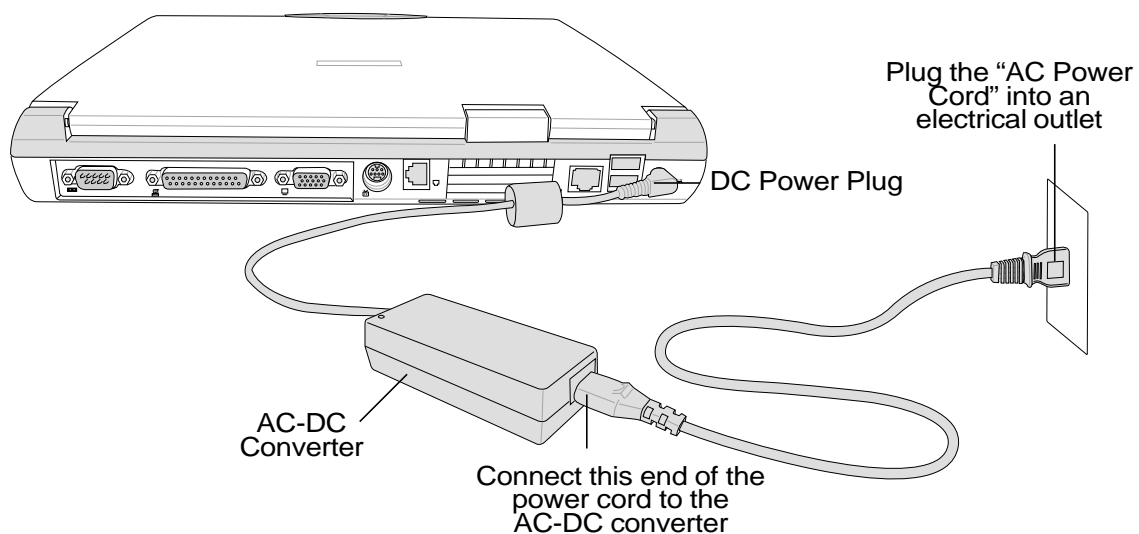
With the AC power cord connected to the AC-DC converter, connect the AC power cord to an AC outlet (preferably with surge-protection) and then connect the DC plug to the Notebook PC. Connecting the AC-DC adapter to the AC outlet first allows you to test the AC outlet's power and the AC-DC converter itself for compatibility problems before connecting the DC power to the Notebook PC. The green power LED on the adapter lights up if the power is within accepted ranges.



**WARNING! Damage may occur if you use a different adapter to power the Notebook PC or use the Notebook PC's adapter to power other electrical devices. If there is smoke, burning scent, or extreme heat coming from the AC-DC adapter, seek servicing. Seek servicing if you suspect a faulty AC-DC adapter. You may damage both your battery pack(s) and the Notebook PC with a faulty AC-DC adapter.**



**NOTE: This Notebook PC may come with either a two or three-prong plug depending on territory. If a three-prong plug is provided, you must use a grounded AC outlet or use a properly grounded adapter to ensure safe operation of the Notebook PC.**





## Powering ON The Notebook PC

The Notebook PC's power-ON message appears on the screen followed by a short beep when you turn it ON. If necessary, you may adjust the brightness by using the hot keys. If you need to run the BIOS Setup to set or modify the system configuration, press [F2] upon bootup to enter the BIOS Setup. If you press the [Esc] button during the splash screen, standard boot information such as the BIOS version can be seen. You will also be presented with a boot menu that allows you to select bootup from "Legacy Devices", "Hard Drive", "ATAPI CD-ROM Drive", or enter BIOS setup. Use the up and down cursors to make your selection and press [Enter] to execute.



**WARNING!** Never turn OFF or reset your Notebook PC while the hard disk or floppy disk is in use and the activity LED is lit; doing so can result in loss or destruction of your data. To protect the hard disk drive, always wait at least 5 seconds after turning OFF your Notebook PC before turning it back ON.



**NOTE:** Before bootup, the display panel flashes when the power is turned ON. This is part of the Notebook PC's test routine and is not a problem with the display.

## The Power-On Self Test (POST)

When you turn ON the Notebook PC, it will first run through a series of software-controlled diagnostic tests called the Power-On Self Test (POST). The software that controls the POST is installed as a permanent part of the Notebook PC's architecture. The POST includes a record of the Notebook PC's hardware configuration, which is used to make a diagnostic check of the system. This record is created by using the BIOS Setup program. If the POST discovers a difference between the record and the existing hardware, it will display a message on the screen prompting you to correct the conflict by running BIOS Setup. In most cases the record should be correct when you receive the Notebook PC. When the test is finished, you may get a message reporting "No operating system found" if the hard disk was not pre-loaded with an operating system. This indicates that the hard disk is correctly detected and ready for the installation of a new operating system.

The S.M.A.R.T. (Self Monitoring and Reporting Technology) checks the hard disk drive during POST and gives a warning message if the hard disk drive requires servicing. If any critical hard disk drive warning is given during bootup, backup your data immediately and run Windows disk checking program. To run Windows' disk checking program: (1) right-click any hard disk drive icon in "My Computer", (2) choose Properties, (3) click the Tools tab, (4) click Check Now, (5) select a hard disk drive, (6) select Thorough to also check for physical damages, and (7) click Start. Third party disk utilities such as Symantec's Norton Disk Doctor can also perform the same functions but with greater ease and more features.



**WARNING!** If warnings are still given during bootup after running a software disk checking utility, you should take your Notebook PC in for servicing. Continued use may result in data loss.



## 3. Getting Started

### Save-to-Disk Partition



**NOTE:** If you use MS Windows ME or 2000, you do not need a Save-to-Disk partition to use hibernation mode.

The Notebook PC supports Advanced Power Management to save battery power and extend its working time. One type of power management is “Save-to-Disk.” Save-to-Disk is a suspend mode where your operating system and application data is saved to a separate partition and retrieved when the Notebook PC comes out of suspend mode. A partition is a space on the hard disk drive equivalent to having a second hard disk drive. If you would like the Notebook PC to support the Save-to-Disk mode, run the **ZVHDD.EXE** utility to setup a Save-to-Disk partition on your hard disk. The Save-to-Disk partition must be larger than the total system memory of the Notebook PC. To check whether a Save-to-Disk partition exist on your hard drive, run **FDISK.EXE** located in Windows’ command directory or Windows rescue floppy disk. You can also compare your working partition’s size with the hard drive’s size as shown in BIOS setup. See the Drivers and Utilities Support CD User’s Manual for detailed usage instructions.



**WARNING!** All other partitions and their data will be cleared by the **ZVHDD.EXE** utility. This must be done **BEFORE** you install an operating system onto your hard disk. The included hard disk drive comes with the Save-to-Disk partition pre-configured from the factory.

### Restarting or Rebooting

After installing drivers (please see the “Drivers and Utilities Guide”), installing applications, or making configuration changes, you may be prompted to restart the system to update the operating system and complete the installation process. To restart the system, press the [Ctrl][Alt][Del] keys simultaneously. This is known as a “warm boot.” If this “warm boot” does not restart the Notebook PC, you can reset the Notebook PC by using a “cold boot” which is switching the Notebook PC’s power OFF and then back ON. Remember to wait 5 seconds before switching the Notebook PC back ON.



**NOTE:** If neither of these methods work, you can press the reset button located in a small hole on the bottom of the Notebook PC with a pen or paper clip. Do not use a pencil because the tip may break off in the hole.

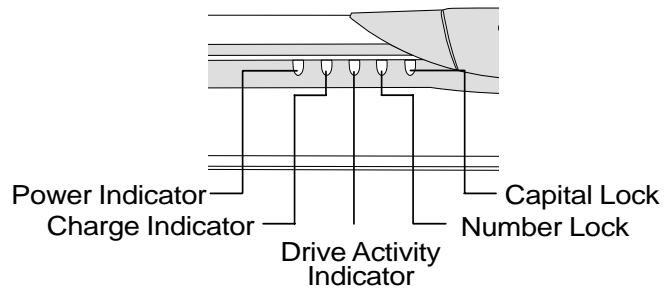
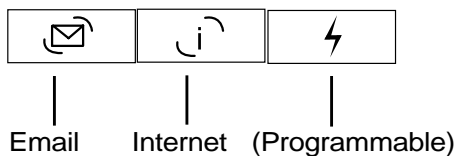
### Powering OFF the Notebook PC

For operating systems equipped with APM or ACPI (Windows 98/ME/2000), the Notebook PC can be powered OFF by using **Start | Shut Down... | Shut down**. For operating systems without proper power management (DOS, Windows NT), you must power OFF the Notebook PC by holding the power switch for 2 seconds (as opposed to 1 second to power ON) after closing applications and exiting operating systems. This is necessary in order to prevent accidental power-OFFs. It will take 4 to 5 seconds to power OFF the Notebook PC if you do it while the Notebook PC hangs and stopped responding,



## Instant Launch & Status Indicators (on selected models)

There are three buttons above the keyboard that provides quick access to a software program. Five LEDs on the front edge of the Notebook PC provides information on the status of the Notebook PC.



### Email Launch Key

Pressing this button will launch your Email application. If your Notebook PC is OFF while pressing this button, this function will first turn ON your Notebook PC.

### Internet Launch Key

Pressing this button will launch your Internet browser application. If your Notebook PC is OFF while pressing this button, this function will first turn ON your Notebook PC.

### Programmable Launch Key

Pressing this button will launch your programmed software application. If your Notebook PC is OFF while pressing this button, this function will first turn ON your Notebook PC.

### Power Indicator

The green LED lights to indicate that the Notebook PC is turned ON and blink when the Notebook PC is in the Suspend-to-RAM (standby) mode. This LED is OFF when the Notebook PC is in the Suspend-to-Disk (hibernation) mode.

### Charge Indicator

Indicates that the battery is being charged when ON and fully charged when OFF. This LED only lights when the power adapter is used. This LED does not light up if there is no installed battery. Slow flash means the battery power is low and requires charging. Quick flashing means that the battery pack cannot be charged and needs a replacement.

### Drive Activity Indicator

Indicates that the Notebook PC is accessing one or more storage device(s) such as the floppy, hard disk, or CD/DVD-ROM drive. The light flashes proportional to the access time.

### Number Lock

Indicates that number lock [Num Lk] is activated when lighted. Number lock allows some of the keyboard letters to act as numbers for easier numeric data input.

### Capital Lock

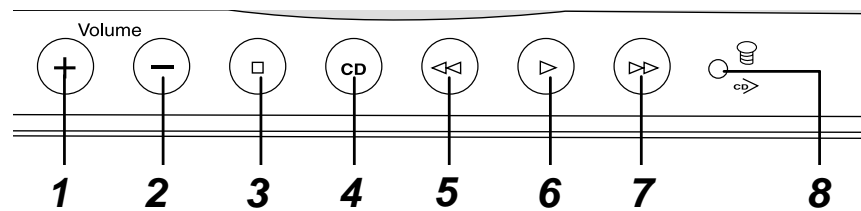
Indicates that capital lock [Caps Lock] is activated when lighted. Capital lock allows some of the keyboard letters to type using capitalized letters (e.g. A, B, C). When the capital lock light is OFF, the typed letters will be in the lower case form (e.g. a,b,c).



### 3. Getting Started

## CD Control Buttons and Indicator (on selected models)

There are several CD control buttons integrated on the front of the Notebook PC for convenient CD playing. The buttons activate and control your operating system's audio player when the Notebook PC is ON. When your Notebook PC is OFF, the CD control buttons activate an "Audio DJ" function which allows you to listen to audio CDs even while the Notebook PC is not turned ON. The following defines the meaning of each CD control button and indicator on the **front** of the Notebook PC.



#### 1. Volume Increase (Audio DJ "Unlock" with Stop Button)

Increases the volume. Hold down to continue increasing the volume. This function electronically increases the audio output. When the Notebook PC is OFF, pressing both the volume increase and stop buttons simultaneously, will **unlock** the CD player so that it can be turned ON.

#### 2. Volume Decrease (Audio DJ "Lock" with Stop Button)

Decreases the volume. Hold down to continue decreasing the volume. This function electronically lowers the audio output. When the Notebook PC is OFF, pressing both the volume decrease and stop buttons simultaneously, will **lock** the CD player so that it cannot be accidentally turned ON.

#### 3. CD Stop

Stops CD playing (while playing). Ejects the CD (while not playing). Locks or unlocks the CD player when used in conjunction to the volume increase or decrease buttons when the Notebook PC is OFF.

#### 4. CD

Turns ON or OFF the Audio DJ CD player while the Notebook PC is OFF.

#### 5. CD Skip to Previous Track (Rewind)

The first push will restart current track. The second push will skip to the previous track.

#### 6. CD Play

Begins CD playing.

#### 7. CD Skip to Next Track (Fast Forward)

Skips to the next track during CD playing.

#### 8. CD Indicator

When the Notebook PC is OFF, a blue LED shows when the Audio DJ CD player is turned ON (by using the "CD" button).





## Using the Keyboard

### Colored Hot Keys

The following defines the colored hot keys on the Notebook PC's keyboard. The colored commands can only be accessed by first pressing and holding the function key while pressing a key with a colored command.



**Suspend:** Places the Notebook PC in suspend mode (either Save-to-RAM or Save-to-Disk depending on BIOS setup). This is the same as “stand by” in MS Windows.



**LCD Icon:** Toggles the display panel ON and OFF. This is a quick way to hide your work.



**LCD/Monitor Icons:** Toggles between the Notebook PC's LCD display and an external monitor in this series: Notebook PC LCD -> External Monitor -> Both. (This function does not work in 256 Colors, select High Color in Display Property Settings.)



**TV Icon:** Toggles the TV output ON and OFF. This is a quick way to pause your presentation display during intermission. (on selected models)



**Num Lk:** Toggles the numeric keypad (number lock) ON and OFF. Allows you to use a larger portion of the keyboard for number entering.



**Scr Lk:** Toggles the “Scroll Lock” ON and OFF. Allows you to use a larger portion of the keyboard for cell navigation.



**NOTE:** Hot Keys work only on the Notebook PC's own keyboard and not on any externally connected keyboards.



## 3. Getting Started

### Microsoft Windows™ Keys

There are two special Windows™ keys on the keyboard as described below.








The key with the Windows™ Logo activates the Start menu located at the bottom left of the Windows™ desktop.



The other key, that looks like a Windows™ menu with a small cursor, activates the properties menu and is equivalent to pressing the right mouse button on a Windows™ object.

### Keyboard as a Numeric Keypad

The numeric keypad is embedded in the keyboard and consists of 15 keys that make number intensive input more convenient. These dual-purpose keys are labeled in orange on the key caps. Numeric assignments are located at the upper right hand corner of each key as shown in the figure. When the numeric keypad is engaged by pressing  , the number lock LED lights up. If an external keyboard is connected, pressing the  on the external keyboard enables/disables the NumLock on both keyboards simultaneously. To disable the numeric keypad while keeping the keypad on an external keyboard activated, press the   keys on the Notebook PC.





## Keyboard as Cursors

The keyboard can be used as cursors while Number Lock is ON or OFF in order to increase navigation ease while entering numeric data in spreadsheets or similar applications.

**With Number Lock OFF**, press **[Fn]** and one of the cursor keys shown below. For example [Fn][8] for up, [Fn][K] for down, [Fn][U] for left, and [Fn][O] for right.

**With Number Lock ON**, use [Shift] and one of the cursor keys shown below. For example [Shift][8] for up, [Shift][K] for down, [Shift][U] for left, and [Shift][O] for right.



**NOTE: The second status LED (from the left) lights up when Number Lock is ON and turn OFF when Number Lock is OFF.**



**NOTE: The large bold characters and symbols are printed here for your reference. They are not labeled on the keyboard as shown here.**



## ***4. USING THE NOTEBOOK PC***

---

**Pointing Device**

**Mouse/Keyboard Connection**

**CD/DVD-ROM Drive**

**Optional External Connections**

**PC Card (PCMCIA) Sockets**

**Modem/Network Connections**

**IR Wireless Communication**

**AC/Battery Power System**

**Power Management Modes**

**System Memory Expansion**

**Processor Upgrades**

**Hard Disk Drive**

**Securing Your Notebook PC**

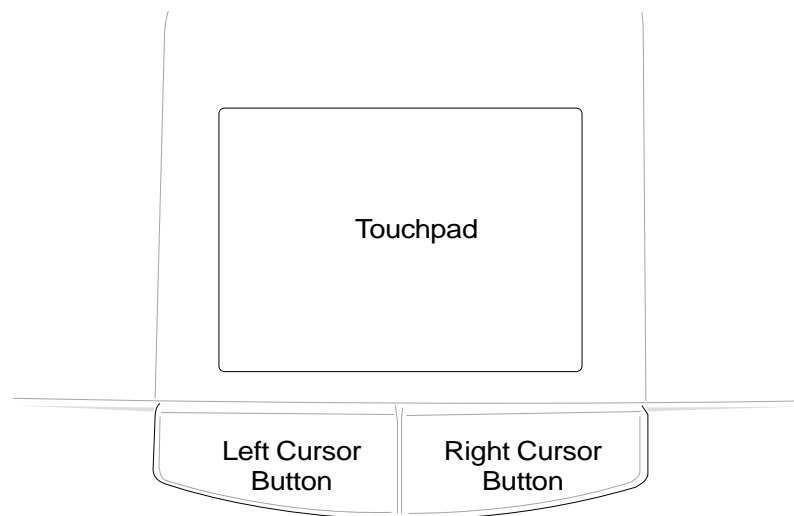
**Vehicle/Air Power Adapter**



## 4. Using the Notebook PC

### Pointing Device

The Notebook PC's integrated touchpad pointing device is fully compatible with all two/three-button and scrolling knob PS/2 mice. The touchpad is pressure sensitive and contains no moving parts; therefore, mechanical failures can be avoided. A device driver is still required for working with some application software. See the **Driver & Utility Guide** for information on drivers and utilities for the touchpad.



### Using the Touchpad

Light pressure with the tip of your finger is all that is required to operate the touchpad. Because the touchpad is electrostatic sensitive, objects cannot be used in place of your fingers. The touchpad's primary function is to move the cursor around or select items displayed on the screen with the use of your fingertip. The following illustrations demonstrate proper use of the touchpad.

**Moving the cursor** - Place your finger in the center of the touchpad and do the following to move the cursor:

**Up** - Slide your finger forward

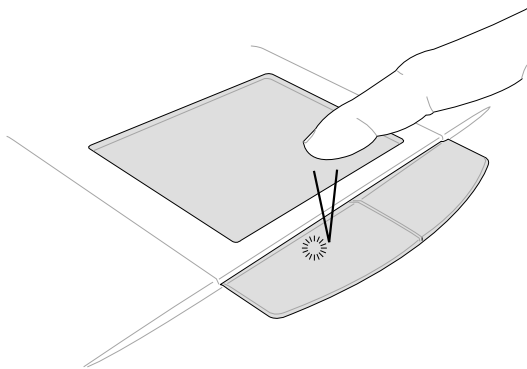
**Left** - Slide you finger to the left

**Down** - Slide your finger backward

**Right** - Slide your finger to the right

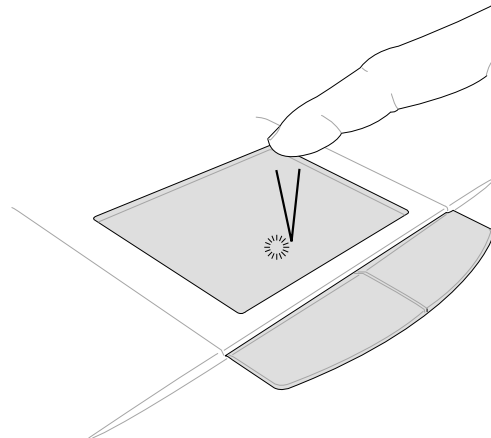


**Clicking/Tapping** - With the cursor over an item, press the left button or use your fingertip to touch the touchpad lightly, keeping your finger on the touchpad until the item is selected. The selected item will change color. The following 2 examples produce the same results.



**Clicking**

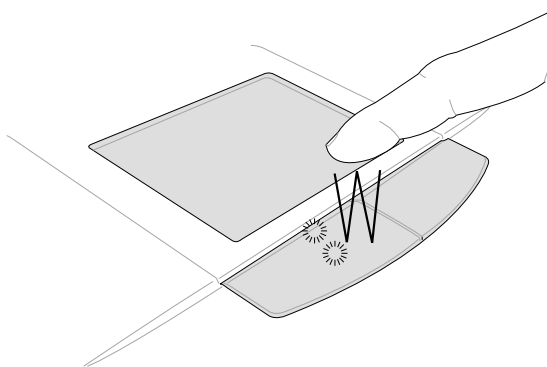
(press the left cursor button and release)



**Tapping**

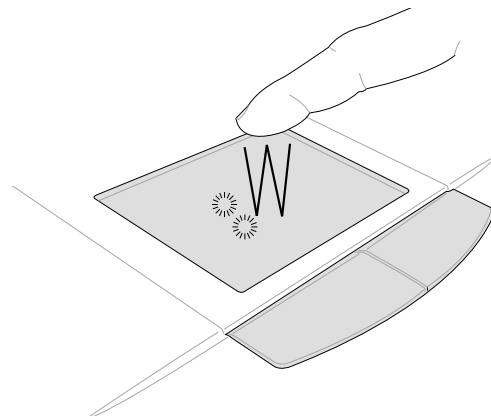
(lightly but rapidly strike the touchpad)

**Double-clicking/Double-tapping** - This is a common skill for launching a program directly from the corresponding icon you select. Move the cursor over the icon you wish to execute, press the left button or tap the pad twice in rapid succession, and the system launches the corresponding program. If the interval between the clicks or taps is too long, the operation will not be executed. You can set the double-click speed using the Windows Control Panel “Mouse.” The following 2 examples produce the same results.



**Double-Clicking**

(press the left button twice and release)



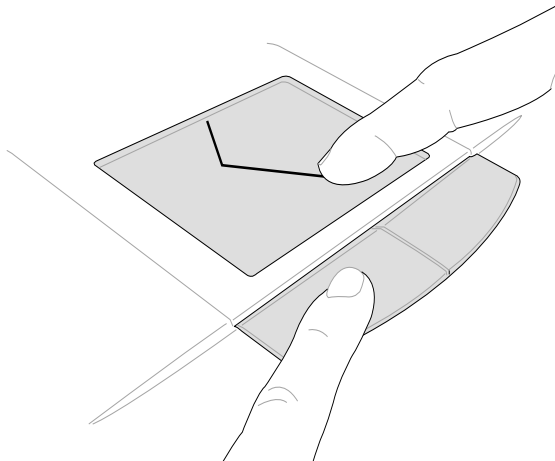
**Double-Tapping**

(lightly but rapidly strike the touchpad twice)



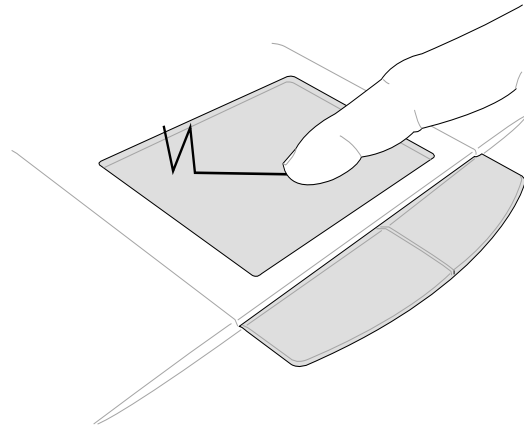
## 4. Using the Notebook PC

**Dragging** - Dragging means to pick up an item and place it anywhere on the screen you wish. You can move the cursor over the item you select, and while keeping the left button depressed, moving the cursor to the desired location, then release the button. Or, you can simply double-tap on the item and hold while dragging the item with your fingertip. The following 2 examples produce the same results.



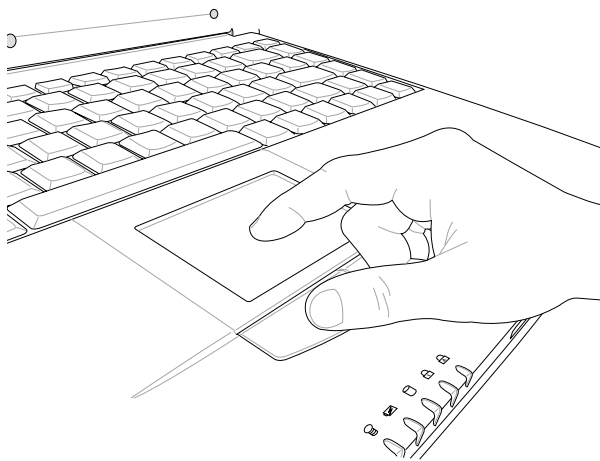
**Dragging-Clicking**

(hold left button and slide finger on touchpad)



**Dragging-Tapping**

(lightly strike the touchpad twice, sliding finger on touchpad during second strike)



**One-Hand Dragging-Clicking**

(hold left button and slide finger on touchpad)



**NOTE:** A software-controlled scrolling function is available after setting up the included touchpad utility to allow easy Windows or web navigation. Basic functions can be adjusted at the Windows control panel to allow comfortable clicking and tapping.





### Caring for the Touchpad

The touchpad is pressure sensitive. If not properly cared for, it can be easily damaged. Take note of the following precautions.

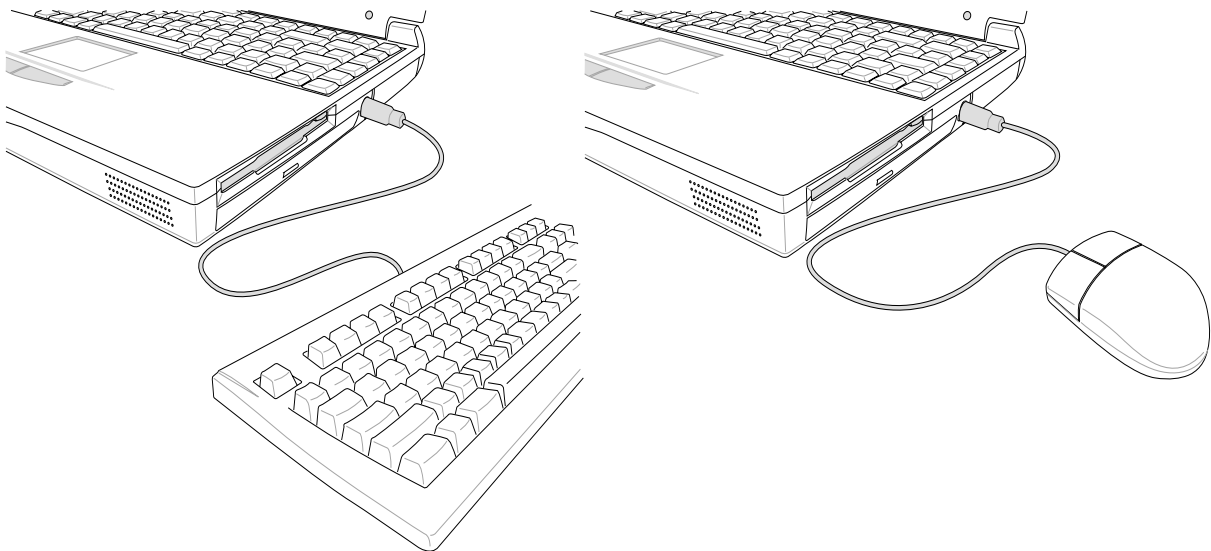
- Make sure the touchpad does not come into contact with dirt, liquids or grease.
- Do not touch the touchpad if your fingers are dirty or wet.
- Do not rest heavy objects on the touchpad or the touchpad buttons.
- Do not scratch the touchpad with your finger nails or any hard objects.



**NOTE:** The touchpad responds to movement not to force. There is no need to tap the surface too hard. Tapping too hard does not increase the responsiveness of the touchpad. The touchpad responds best to light pressure.

### Mouse or Keyboard Connection (Optional)

Either a PS/2 mouse or PS/2 keyboard may be connected to the single PS/2 port. If you wish to connect two PS/2 devices, you need to buy an optional PS/2 Y-adapter.



**Tip:** Using a USB keyboard or a USB mouse allows easy connection of more than one peripheral.



## 4. Using the Notebook PC

### CD/DVD-ROM Drive



**NOTE:** The terms “CD-ROM” or “CD” are mainly used in all documentation because of its wide familiarity, although “CD/DVD-ROM” or “CD/DVD” should be more appropriate with the DVD-ROM model Notebook PC. Please substitute where appropriate.

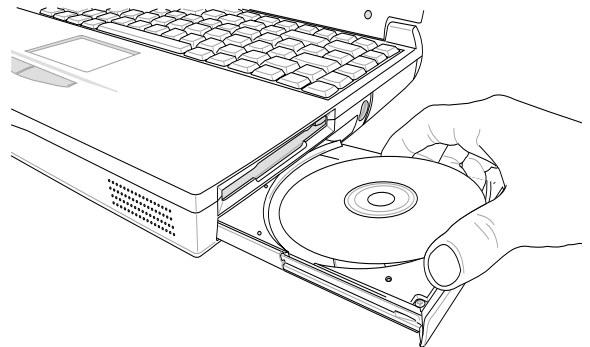
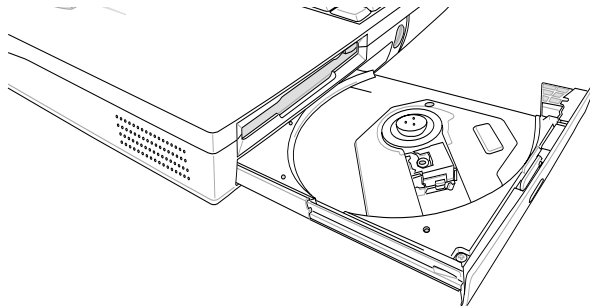
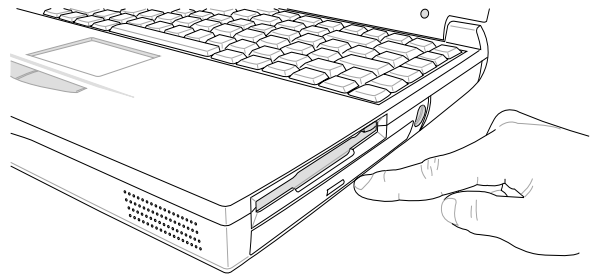
The CD-ROM (Compact Disc Read Only Memory) drive can support all the popular formats: Audio/Music CDs; Photo CDs; MS-DOS MSCDEX Mode 1 / Mode 2; CD-ROM/XA; CD-I; and Video CDs.



**NOTE:** Only one CD may be used at one time in this CD drive. The CD drive eject button is electronic and requires that the Notebook PC be powered ON in order to eject the CD drive tray. When the Notebook PC is OFF, press the stop button on the front of the Notebook PC twice to eject the CD tray.

#### Inserting a CD

1. While the Notebook PC's power is ON, press the CD drive eject button and the CD drive tray will eject out partially.
2. Hold the CD drive front panel and slide the CD drive tray completely out. Be careful not to touch the CD drive lens and other mechanisms. Make sure there are no obstructions that may get jammed under the CD drive tray.
3. Hold the CD by the edge and face the printed side up. Snap the CD onto the hub by pressing on both sides of the CD center. **The hub should be higher than the CD when correctly mounted.**
4. Slowly push the CD drive tray back into the Notebook PC. The drive begins reading the table of contents (TOC) on the CD. When the drive stops, the CD is ready to use.



**NOTE:** It is normal to hear as well as feel the CD spinning with great intensity in the CD drive while data is read.



### Using the CD-ROM Drive

CD-ROM discs and equipment must be handled with care because of the precise mechanics involved. Keep in mind the important safety instructions from your CD suppliers. Unlike desktop CD-ROM drives, the Notebook PC uses a hub to hold the CD in place regardless of the angle. When inserting a CD, it is important that the CD be pressed onto the center hub or else the CD-ROM drive tray will scratch the CD.



**WARNING!** If the CD disc is not properly locked onto the center hub, the CD can be damaged when the tray is closed. Always watch the CD closely while closing the tray slowly to prevent damage.

### Laser Safety

This system is classified as a Class 1 laser product. The Notebook PC's CD/DVD-ROM drive uses a laser reader that complies with laser product standards set by government agencies for Class 1 laser products. It does not emit hazardous light; the beam is totally enclosed during all modes of customer operation and maintenance.

### CDRH Regulations

The Center for Devices and Radiological Health (CDRH) of the U.S. Food and Drug Administration implemented regulations for laser products on August 2, 1976. These regulations apply to laser products manufactured from August 1, 1976. Compliance is mandatory for products marketed in the United States.



**WARNING:** Use of controls or adjustments or performance of procedures other than those specified herein or in the laser product installation guide may result in hazardous radiation exposure.



## 4. Using the Notebook PC

### DVD-ROM Drive Information

#### Overview

The Notebook PC comes with an optional DVD-ROM drive or a CD-ROM drive. In order to view DVD titles, you must install the provided MPEG2 video decoder software and the DVD viewer software included on the DVD module driver support CD. The DVD-ROM drive allows the use of both CD and DVD discs.

#### Definitions

DVD, which stands for Digital Versatile Disc, is the next generation of optical disc storage technology. The DVD specification supports discs with capacities from 4.7GB to 17GB and access rates up to 22.16MBytes/s. The Notebook PC's DVD-ROM drive is only single-sided; double-sided DVD (8.5GB and higher) requires manually reversing the disc in order to access the reverse side.

DVD is essentially a bigger, faster CD that can hold video as well as audio and computer data. With these capacities and access rates, DVD discs can provide you with dramatically-enhanced high-color, full-motion videos, better graphics, sharper pictures, and Dolby® Digital Surround for a theater-like experience. DVD aims to encompass home entertainment, computers, and business information with a single digital format, eventually replacing audio CD, videotape, laserdisc, CD-ROM, and perhaps even video game cartridges. DVD has widespread support from all major electronics companies, all major computer hardware companies, and most major movie and music studios.

#### Software

To meet customer requirements for a complete DVD solution, a software playback solution is provided. The provided software has been optimized for playback of MPEG2 (Motion Picture Experts Group specifications for data compression) encoded video clips as well as encrypted DVD movie titles. Decoding digital MPEG2 video is accomplished through software only, eliminating the need for expensive hardware. Although the software will function on Intel 233-333MHz based notebooks, playback quality is reduced since loss of video frames (video images look as though they are skipping sections of the movie) during playback may occur. Software playback performance on Intel's 400MHz processor platforms or faster is required to sustain 30 fps (frames per second) which approaches the quality of most hardware playback solutions.



**NOTE: Since MPEG2 video decoding is done through software, a processor of at least 400MHz Pentium II is recommended to provide real-time playback without frame skips. An MPEG2 hardware decoder PCMCIA card is required on Notebook PCs with slower processors for smooth DVD playback.**



### Regional Playback Information

Playback of DVD movie titles involves decoding MPEG2 video, digital AC3 audio and decryption of CSS protected content. CSS (sometimes called copy guard) is the name given to the content protection scheme adopted by the motion picture industry to satisfy a need to protect against unlawful content duplication.

Although the design rules imposed on CSS licensors are many, one rule that is most relevant is playback restrictions on regionalized content. In order to facilitate geographically staggered movie releases, DVD video titles are released for specific geographic regions as defined in “Region Definitions” below. Copyright laws require that all DVD movies be limited to a particular region (usually coded to the region at which it is sold). While DVD movie content may be released for multiple regions, CSS design rules require that any system capable of playing CSS encrypted content must only be capable of playing one region. The region setting may be changed up to five times using the viewer software, then it can only play DVD movies for the last region setting. Changing the region code after that will require factory resetting which is not covered by warranty. If resetting is desired, shipping and resetting costs will be at the expense of the user.

### Region Definitions

#### Region 1

Canada, US, US Territories

#### Region 2

Czech, Egypt, Finland, France, Germany, Gulf States, Hungary, Iceland, Iran, Iraq, Ireland, Italy, Japan, Netherlands, Norway, Poland, Portugal, Saudi Arabia, Scotland, South Africa, Spain, Sweden, Switzerland, Syria, Turkey, UK, Greece, Former Yugoslav Republics, Slovakia

#### Region 3

Burma, Indonesia, South Korea, Malaysia, Philippines, Singapore, Taiwan, Thailand, Vietnam

#### Region 4

Australia, Caribbean (Except US Territories), Central America, New Zealand, Pacific Islands, South America

#### Region 5

CIS, India, Pakistan, Rest of Africa, Russia, North Korea

#### Region 6

China



## 4. Using the Notebook PC

### Using a CD

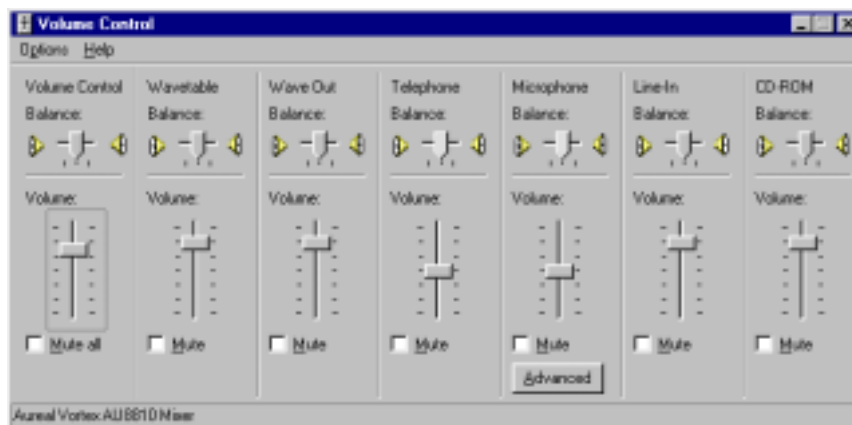
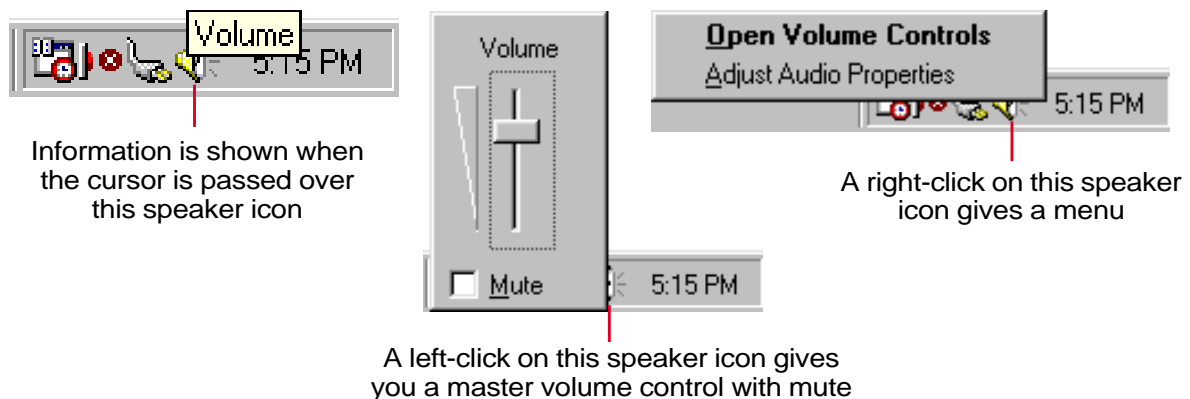
A CD drive letter should be present regardless of the presence of a CD disc in the drive. After the CD is properly inserted, data can be accessed just like with hard disk drives; except that nothing can be written to or changed on the CD. Vibration is normal for all high-speed CD-ROM drives due to unbalanced CDs or CD print. To decrease vibration, use the Notebook PC on an even surface and do not place labels on the CD.

### Removing a CD

Remove the CD by slowly lifting the CD off the tray by holding the edge of the CD. Do not touch the bottom-side of the CD where data is read from.

### Listening to Audio CD

Both the CD-ROM and DVD-ROM drive can play audio CDs, but only the DVD-ROM drive can play DVD audio. Insert the audio CD and Windows™ automatically opens an audio player and begins playing. Depending on the DVD audio disc and installed software, it may require that you open a DVD player to listen to DVD audio. You can adjust the volume through the volume control knob on the CD/DVD-ROM drive face, function keys on the keypad, or by the Windows™ speaker icon on the taskbar.



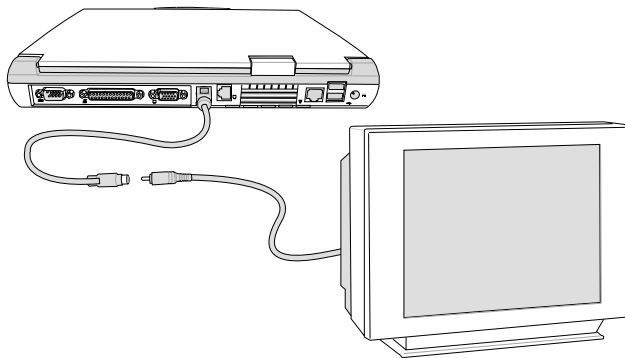
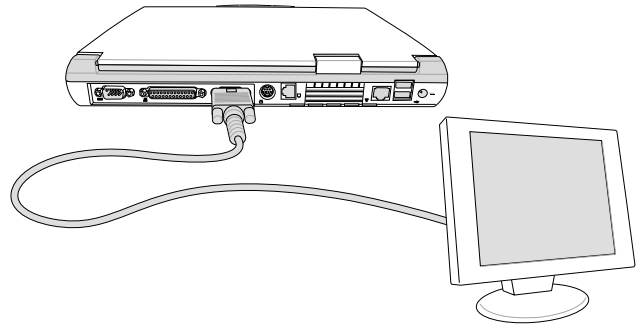
a double-click on the speaker icon gives this detailed control panel



## Optional External Connections

### Monitor Out Connection

Connecting an external monitor is just like on a standard desktop PC. Just plug in the VGA cable and it's ready to use (some Notebook PC configurations may require additional display driver settings). You can view the Notebook PC display panel while simultaneously allowing others to view the external monitor. For large audiences, try connecting a computer video projector.

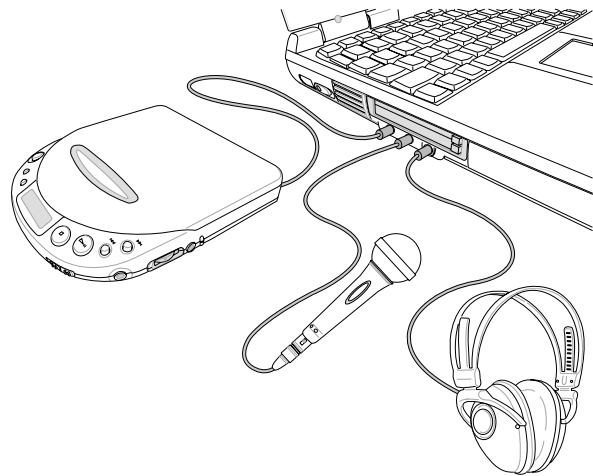


### TV Out Connection (on selected models)

The Notebook PC provides easy connection for a television or video recording device through the SVHS TV out connector. For televisions or video devices without an SVHS connector, you can use an adapter as shown in this illustration.

### External Audio Connections

The Notebook PC provides easy access for connecting a stereo headphone, mono microphone, and a stereo audio source just like on some personal tape recorders.





## 4. Using the Notebook PC

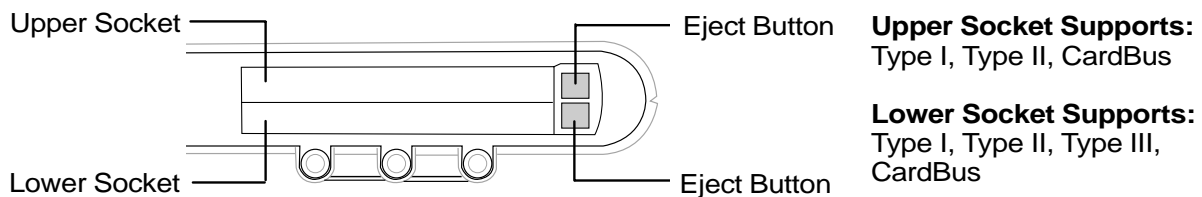
### PC Card (PCMCIA) Sockets

The Notebook PC has two PC Card (or sometimes referred to as PCMCIA) sockets located behind a hinged cover to allow expansion just like desktop computer expansion slots. This allows you to customize your Notebook PC to meet a wide range of application needs. The sockets can interface with two Type I or Type II PC cards or one Type III PC card. PC cards are about the size of a few stacked credit cards and have a 68-pin connector at one end. The PC Card standard accommodates a number of function, communication, and data storage expansion options. PC cards come in memory/flash cards, fax/modems, networking adapters, SCSI adapters, MPEG I/II decoder cards, and even wireless modem or LAN cards. The Notebook PC supports PCMCIA 2.1, and 32bit CardBus standards.

The three different PC Cards actually have different thicknesses. Type I cards are 3.3mm, Type II cards are 5mm, and Type III cards are 10.5mm thick. Type I and Type II cards can be used in either the lower or upper socket. Type III cards take up both sockets and must be inserted from the lower socket.



**TIP: A PCMCIA MPEG I / II decoder card is recommended for slower Notebook PCs that experience frame skips during DVD playback. It is also great for the power user who wishes to work while watching a DVD movie.**



### 32-bit CardBus Support

CardBus support allows PC Cards and their hosts to use 32-bit bus mastering and operate at speeds of up to 33MHz, transferring data in burst modes comparable with PCI's 132MB/sec. By comparison, the standard 16-bit PC Card bus can handle only 20MB/sec. Since the Notebook PC is equipped with CardBus broader and faster data pathway, it can handle bandwidth-hungry operations, such as 100Mbps Fast Ethernet, Fast SCSI peripherals, and ISDN-based video conference. The CardBus peripherals support plug and play.

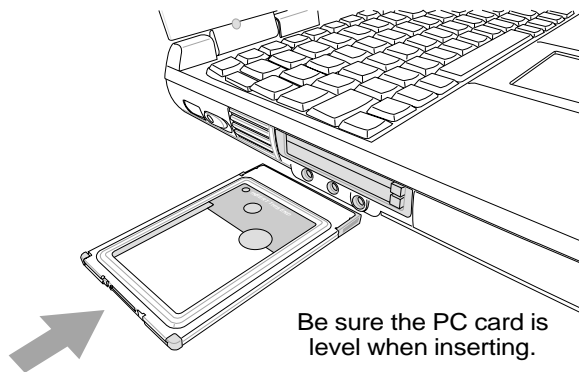
The CardBus socket is backward-compatible with 16-bit PC Cards serving at 5 volts operation while CardBus operates at 3.3 volts to reduce power consumption.



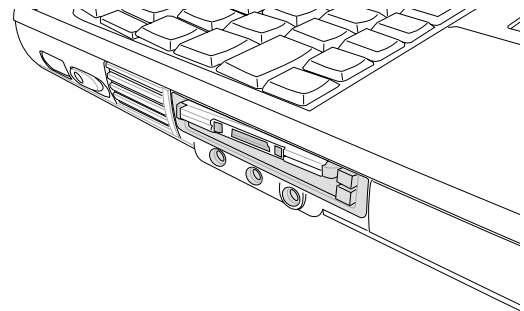


### Inserting a PC Card (PCMCIA)

1. Insert the PC card with the connector side first. When the PC card is fully inserted, the PC card bay door can close normally without striking the PC card.



2. Carefully connect any cables or adapters needed by the PC card. Usually connectors can only be inserted in one orientation. Look for a sticker, icon, or marking on one side of the connector representing the top side.



### Removing a PC Card (PCMCIA)

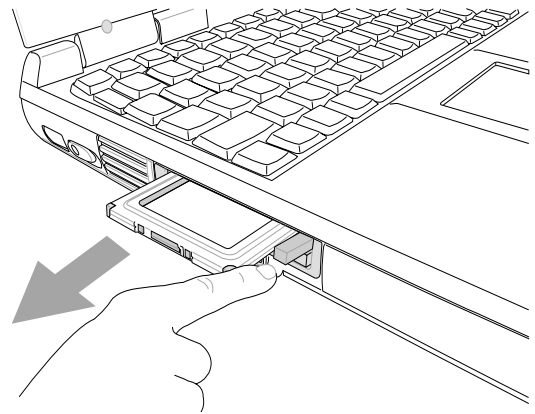
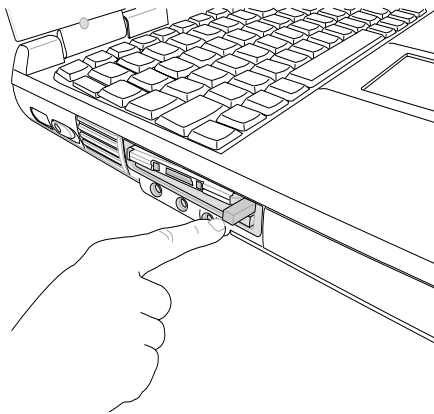
When PC cards are inserted and running, they draw power from the Notebook PC even when they are not in use. You must stop the PC card service to turn the PC card OFF.



**CAUTION! Stopping the PC card service is necessary before removing a PC card.**

To remove the PC card, first remove all cables or adapters attached to the PC card, then double-click the PC card icon on the taskbar and stop the PC card you want to remove.

1. Press in the toggle eject button and release. The recessed spring loaded toggle button will extend when pushed in and released.
2. Press the extended button again to eject the PC Card. Carefully pull the ejected PC card out of the socket.





## 4. Using the Notebook PC

### Modem and Network Connections

The built-in modem and network model comes with both an RJ-11 and an RJ-45 port. RJ-11 telephone cables have two or four wires and are used to connect telephones to telephone outlets found in the walls of residential homes and some commercial buildings (some commercial buildings may have telephone wiring designed for dedicated phone systems that may not be compatible). RJ-45 network cables are found connecting network computers to network hubs or switches usually found in business environments.



**NOTE: The built-in modem and network cannot be installed later as an upgrade. Modem and/or network can be installed as a PC card (PCMCIA).**



**WARNING! Only use analog telephone outlets. The built-in modem does not support the voltage used in digital phone systems. Do not connect the RJ-11 to digital phone systems found in many commercial buildings or else damage will occur!**

### Modem Connection

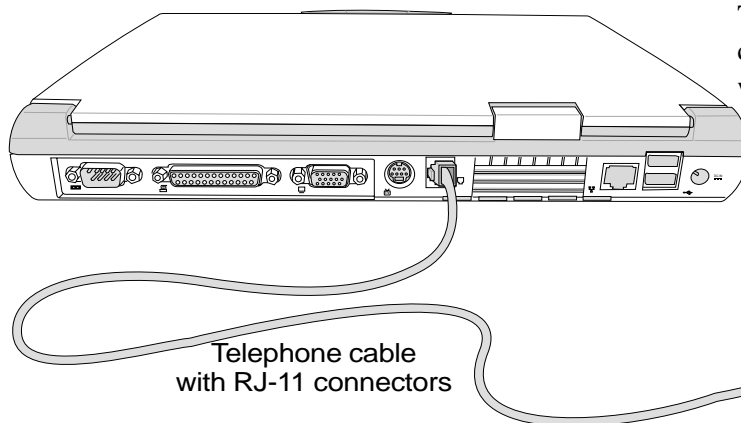
The telephone wire used to connect the Notebook PC's internal modem should have either two or four wires (only two wires (telephone line #1) is used by the modem) and should have an RJ-11 connector on both ends. Connect one end to the modem port and the other end to an analog telephone wall socket (the ones found in residential buildings). Once the driver is setup, the modem is ready to use.



**NOTE: When you are connected to an online service, do not place the Notebook PC in suspend (or sleep mode) or else you will disconnect the modem connection.**

### Modem Protocols

The Notebook PC with internal modem complies with JATE (Japan), FCC (US, Canada, Korea, Taiwan, and others), and CTR21 (see Appendix for supported countries) for almost worldwide protocol support.



This is an example of the Notebook PC connected to a telephone jack for use with the built-in modem.



**CAUTION: For electrical safety concerns, only use telephone cables rated 26AWG or higher. (see Glossary for more information)**

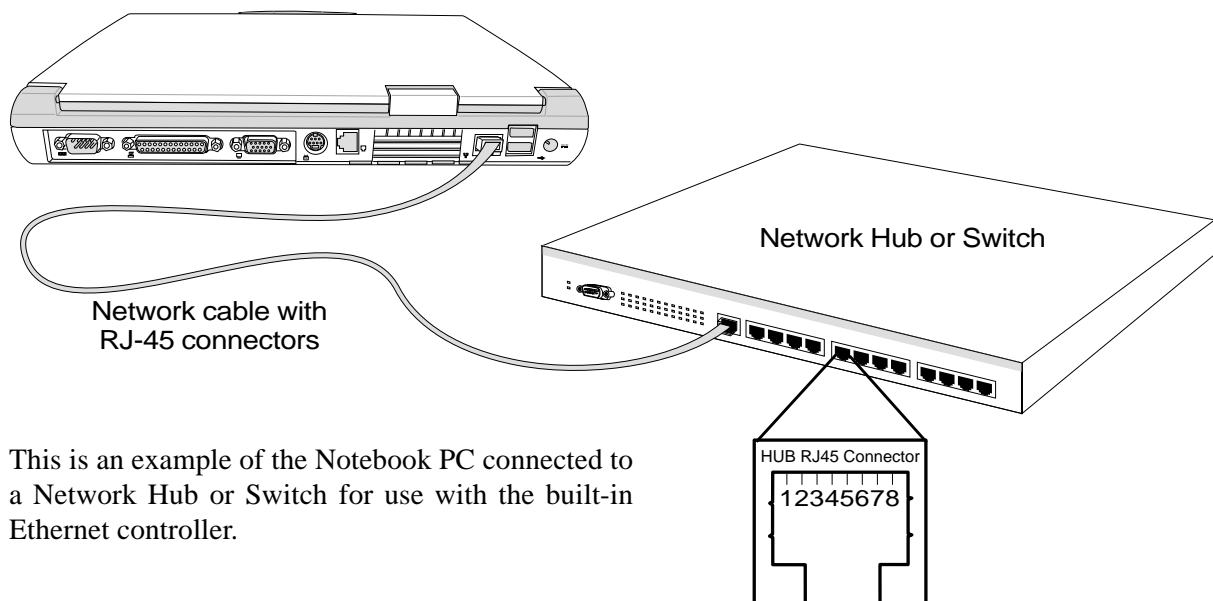


### Network Connection

Connect a network cable, with RJ-45 connectors on each end, to the modem/network port on the Notebook PC and the other end to a hub or switch. For 100BASE-TX speeds, your network cable must be category 5 (not category 3) with twisted-pair wiring. If you plan on running the interface at 100Mbps, it must be connected to a 100BASE-TX hub (not a 100BASE-T4 hub). For 10Base-T, use category 3, 4, or 5 twisted-pair wiring. Duplex transfers (up to 200Mbps) is supported on this Notebook PC but requires connection to a switch with “duplex” enabled. The software default is to use the fastest setting so no user-intervention is required.

### Twisted-Pair Cable

The cable used to connect the Ethernet card to a host (generally a Hub) is called a straight-through Twisted Pair Ethernet (TPE). The end connectors are called RJ-45 connectors, which are not compatible with the standard RJ-11 telephone connectors. If connecting two computers together without a hub in between, a crossover twisted-pair is required.



This is an example of the Notebook PC connected to a Network Hub or Switch for use with the built-in Ethernet controller.



## 4. Using the Notebook PC

### IR Wireless Communication

The Notebook PC is equipped with a conveniently located Infrared (IR) Communication Port (see **2. Knowing the Parts** for location). The IR port comes with IrDA (Infrared Data Association) Serial Infrared Data Link Version 1.1 compliance, that allows you to perform point-to-point wireless communications. You can use a SIR/FIR-specified application to transmit or receive data files with other systems equipped with an infrared port. You must set these modes in the BIOS before you start to install the IR driver and file-transferring applications. FIR (Fast Infrared) supports up to 4Mbps and SIR (Serial Infrared) supports up to 115.2Kbps. See the Drivers and Utilities Support CD User's Manual for detailed setup instructions.

### Guidelines for using IR communication

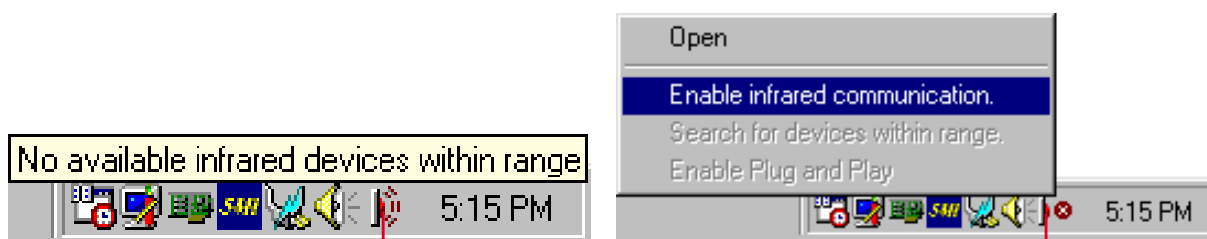
Follow the guidelines listed below when using the Infrared (IR) Communication:

- Make sure the IR Mode in the BIOS Setup is properly set to the mode you would like to use.
- The angle between two Infrared communication ports should not exceed  $\pm 15^\circ$ .
- The distance between the Notebook PC's IR and target device IR should not exceed 40 inches (1 m).
- Do not move either the Notebook PC or the other device during transmission of data.
- An error may occur if IR transmission is conducted with high levels of noise or vibration.
- Avoid direct sunlight, flashing incandescent light, florescent light, and other infrared devices such as remote controls close to the infrared port.

### Enabling Infrared

Infrared communication must be enabled in MS Windows. Right click on the infrared icon on the Windows taskbar and select "Enable infrared communication."

When infrared communication is enabled, moving the cursor over the icon will give its status.



information is shown when the cursor is passed over this speaker icon

a right-click on this infrared icon gives a menu



**CAUTION!** Disable the infrared communication when you are not using the IR for long periods because the IR consumes a great deal of Windows resources which will decrease the Notebook PC's performance.



### AC Power System

The Notebook PC power is comprised of two parts, the power adapter and the battery power system. The power adapter converts AC power from a wall outlet to the DC power required by the Notebook PC. The battery pack consists of a set of battery cells housed together. Only one battery pack can be inserted into the Notebook PC. The AC Adapter's primary function is to provide power to the Notebook PC which also charges the battery pack. When the power adapter is connected to the Notebook PC, it provides power to the Notebook PC and charges the internal battery at the same time as long as it is plugged into an electrical outlet.



**CAUTION!** To protect your Notebook PC from damage, use only the power adapter that came with this Notebook PC because each power adapter has its own power output ratings.

### Battery Power System

The Notebook PC is designed to work with a removable battery pack located inside the battery pack compartment. A fully charged pack will provide several hours of battery life, which can be further extended by using power management features through the BIOS setup. The battery system implements the Smart Battery standard under the Windows environment, which allows the battery to accurately report the amount of charge percentage left in the battery. Additional battery packs are optional and can be purchased separately through a Notebook PC retailer. Before using the Notebook PC on battery power for the first time, check the battery icon in the Windows task bar to make sure that the battery is fully charged. Charging the battery takes a few hours when the Notebook PC is powered OFF.

### Charging the Battery Pack

You can charge the battery pack by using the power adapter. When the power adapter is plugged in, the inserted battery pack automatically recharges whether your Notebook PC is ON or OFF. It takes a few hours to receive a full charge when the power is OFF but takes twice as long when the Notebook PC is in use. When the orange charge LED is flashing, charging is required. The battery is charging when the orange LED is solid. When the LED is no longer lit, the battery pack is fully charged.



**NOTE:** The battery stops charging if the temperature is too high or the battery voltage is too high.



## 4. Using the Notebook PC

### Using Battery Power

A fully-charged battery pack provides the system approximately 2.5 to 3 hours of working power. But the actual figure varies depending on how you use the power saving features, your general work habits, the CPU, main memory size, and the size of the display panel.

The “Battery Warning” beeps are automatically enabled in Windows 98/ME and continually sounds when down to 10% (configurable in Windows 98/ME) power. The processor is also throttled down to decrease power use.

In DOS, POWER.EXE must be enabled to use the Low Battery Warning Beep function in DOS. In Windows 3.1, W31-APM must be enabled to use the battery warning beep feature. POWER.EXE must be loaded via a DEVICE= line in CONFIG.SYS to report the status of the battery while using DOS or Windows 3.x. POWER.EXE is not necessary when running Windows 95/98. For additional information, see your DOS and Windows 3.1 User’s Manuals for details.

“Low Battery” condition (3% or less) forces the Notebook PC to enter suspend mode, regardless of power management settings but the threshold is configurable in Windows 98/ME.



**NOTE: Battery Warning and Battery Low conditions immediately stops upon application of the power adapter.**

### Checking Battery Power

To check the remaining battery power, move your cursor over the power icon. The power icon is a “battery” when not using AC power and a “plug” when using AC power. Double click on the icon for more information and settings.



Power icon using battery.



Power icon using AC power. The charging (lightning) icon appears over the “plug” icon if the battery is not fully charged. When fully charged, only the “plug” icon will remain.



**NOTE: If you ignore the low battery warning, eventually the Notebook PC enters suspend mode (either Save-to-Disk or Save-to-RAM depending on BIOS setup).**



**WARNING! Save-to-RAM does not last long when the battery power is depleted.**



**WARNING!** Never attempt to remove the battery pack while the power is ON, or if the system has not yet entered into the suspend mode as this may result in the data loss.

## Power Management Modes

The Notebook PC has a number of automatic or adjustable power saving features that you can use to maximize battery life and lower Total Cost of Ownership (TCO). You can control some of these features through the Power menu in the BIOS Setup when APM (non-ACPI) is used. ACPI power management settings are made through the operating system. The power management features are designed to save as much electricity as possible by putting components into a low power consumption mode as often as possible but also allow full operation on demand. These low power modes are referred to as Standby mode or Suspend-to-RAM (STR) and Suspend mode or Suspend-to-Disk (STD). The Standby mode is a simple function provided by the operating system and the suspend mode is an intense power saver provided by the BIOS. When the Notebook PC is in either one of the power saving modes, the status will be shown by the following: **STR: Power LED Blinks** and **STD: Power LED OFF**.

## Full Power Mode & Maximum Performance

The Notebook PC operates in Full Power mode when the power management function is disabled by configuring the BIOS Setup. When the Notebook PC is operating in Full Power Mode, the Power LED remains ON. If you are conscious of both system performance and power consumption, select “Maximum Performance” instead of disabling all power management features.

## APM and ACPI

Advanced Power Management (APM) was developed by Intel and Microsoft for DOS/Windows 3.1/95/98 which controls only the main system power functions. Advanced Configuration and Power Management (ACPI) on the hand was developed by Intel, Microsoft, and Toshiba especially for Windows 98 and later to control power management and Plug and Play features on system devices designed on the Wired for Management (WfM) 2.0 baseline. ACPI is the new standard in power management for Notebook PCs because of its benefits over APM. If installing Windows 98 using a BIOS dated 12/1/1999 or later, ACPI is automatically installed. Older Notebook PCs requires an updated BIOS (dated 12/1/1999 or later) along with a reinstall of Windows 98 to utilize ACPI features.

## Suspend Mode

In Save-to-RAM (STR) and Save-to-Disk (STD), the CPU clock is stopped and most of the Notebook PC devices are put in their lowest active state. The suspend mode is the lowest power state of the Notebook PC. The Notebook PC enters Suspend when the system remains idle for a specified amount of time or manually using the [Fn][F1] keys. The timeout setting of both Hard Disk and Video can be set by the BIOS Setup. To resume system operation, press any key. The Power LED blinks when the Notebook PC is in STR mode. There are no indications when the Notebook PC is in STD mode.



## 4. Using the Notebook PC

### Standby Mode

In addition to reducing the CPU clock, this mode puts devices including the LCD backlight in their lower active state. The Notebook PC enters Standby mode when the system remains idle for a specified amount of time. The timeout can be set through the BIOS Setup. To resume system operation, press any key on the keyboard, touchpad, or external mouse (or moving the mouse).

#### A Customized Power-Saving Example

The timeout settings for System Standby, Auto Suspend, Hard Disk Off, and Video Off specify the amount of time the system must be inactive before the next power management level is enabled. The example below demonstrates this function. The following power management events will take place if:

- The Hard Disk Timeout is set to **2** minutes
  - The Standby Timeout to **8** minutes
  - Auto Suspend Timeout to **10** minutes
1. After **2** minutes of system idle, the hard disk spins down.
  2. After **6** additional minutes (a total of 8 minutes of system idle) the system enters Standby.
  3. After **2** minutes in the system Standby mode (a total of **10** minutes of system idle), the system suspends to memory or to disk (depending on BIOS setup).

After the system has suspended (see ENTRY EVENT below), operation can be returned or resumed (see EXIT EVENT below) to the point in your application where it was suspended.

### Power State Summary

STATE	ENTRY EVENT	EXIT EVENT
<b>Stand by</b>	<ul style="list-style-type: none"><li>• Stand by through Windows Start button,</li><li>• Timer as set through “Power Management” in Windows Control Panel or BIOS setup</li></ul>	<ul style="list-style-type: none"><li>• Any device</li><li>• Battery low</li></ul>
<b>STR</b> (Save-to-RAM)	<ul style="list-style-type: none"><li>• Timer as set through BIOS setup</li><li>• Hotkey [Fn][F1]</li></ul>	<ul style="list-style-type: none"><li>• Ring indicator</li><li>• Power button</li></ul>
<b>STD</b> (Save-to-Disk)	<ul style="list-style-type: none"><li>• Timer as set through BIOS setup</li><li>• Hotkey [Fn][F1]</li><li>• Battery Extremely Low</li></ul>	<ul style="list-style-type: none"><li>• Power button</li></ul>
<b>Soft OFF</b>	<ul style="list-style-type: none"><li>• Power button</li><li>• “Shut down” through Windows Start button</li></ul>	<ul style="list-style-type: none"><li>• Power button</li></ul>





### Thermal Power Control

There are three power control methods for controlling the Notebook PC's thermal state. These power control cannot be configured by the user and should be known in case the Notebook PC should enter these states. The following temperatures represent the chassis temperature (not CPU).

- The fan turns ON for active cooling when temperatures are close to the safe upper limit when AC power is used and turn ON at the safe upper limit when only using battery power.
- The processor throttles (decrease CPU speed) for passive cooling when temperature exceeds the safe upper limit.
- The system shut down for critical cooling when temperature exceeds the maximum safe upper limit.

### System Memory Expansion

Under some circumstances, you may find additional memory is required. This is particularly true as applications become more complex. Expanding system memory is one method of increasing system performance by decreasing hard disk access. The Notebook PC comes with 64MB 64-bit high speed SDRAM built-in. One standard 144-pin SO-DIMM (Small Outline Dual Inline Memory Module) socket is available for system memory expansion using common **3.3 Volt 100MHz SDRAM SO-DIMM** modules. Currently, SO-DIMM memory sizes are available in 16MB, 32MB, 64MB, or 128MB for each module. The maximum memory size you can expand the Notebook PC to is 192MB using a 128MB SO-DIMM. The BIOS automatically detects the amount of memory in the system and configure CMOS accordingly during the POST (Power-On-Self-Test) process. There is no hardware or software (including BIOS) setup required after the memory is installed. Only purchase expansion modules from your authorized retailer to ensure compatibility and reliability. The memory module must be installed by a certified Notebook PC technician.



**CAUTION! This Notebook PC does not support EDO DRAM.**

### Processor Upgrades

Visit your authorized service center or retailer for upgrades. The Notebook PC uses an Intel® micro-PGA2 socket in order to support future processor upgrades. Faster processors are being developed every day.



## 4. Using the Notebook PC

### Hard Disk Drive

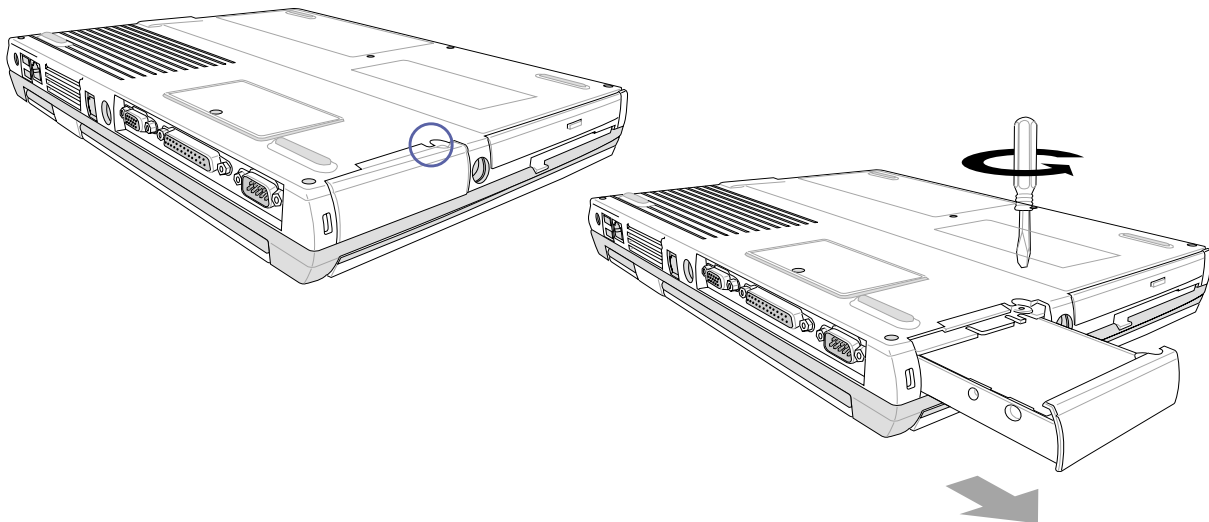
Hard disk drives have higher capacities and operate at much faster speeds than floppy disk drives and CD-ROM drives. Enhanced IDE drives provide a reliable, fast, and cost-effective mass storage solution in the PC storage industry. The high speed transfer modes supported are Ultra DMA/33 up to 33MB/sec and PIO mode 4 up to 16.6MB/sec. The Notebook PC comes with a removable 2.5" (6.35cm) wide and .374" (.95cm) high UltraDMA/33 IDE hard disk drive with capacities up to 20GB, and supports S.M.A.R.T. (Self Monitoring and Reporting Technology) to detect hard disk errors or failures before they happen.

### Important Handling Note

Improper handling during transit may damage the hard disk drive. Handle the Notebook PC carefully and keep it away from static electricity and strong vibrations or impact. The hard disk drive is the most sensitive component of the Notebook PC and will likely be the first or only component that is damaged if the Notebook PC is dropped.

### Removing the Hard Disk Drive

The Notebook PC features a removable hard disk drive secured in a tray. This design allows easy data mirroring for company use or multiple hard disk drives for specific functions. To remove the hard disk drive, make sure that the power is turned OFF, then remove (counter-clockwise) the screw using a screw driver or coin and slide the tray out slowly.

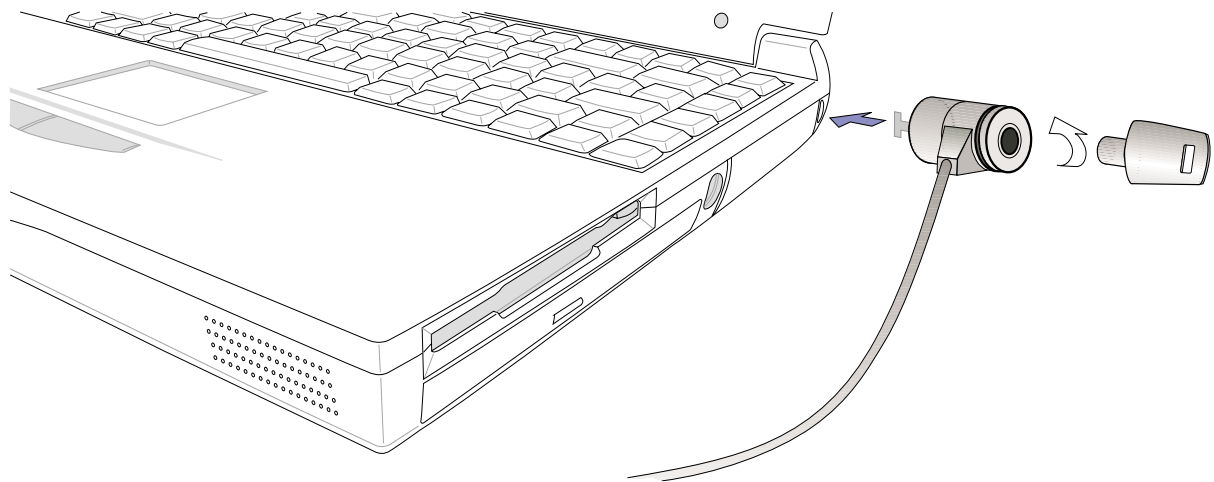


**CAUTION:** The hard disk drive compartment screw must be properly secured before transit to prevent the hard disk drive from sliding out.



### Securing Your Notebook PC

For system and hard disk drive security, see BIOS setup “Security”. A third party lock such as the ones by Kensington® can be used to secure your Notebook PC physically to an unmovable object. The cable wraps around an object and the “T” shaped end inserts into the Kensington® lock port as shown in this illustration and a key or combination dial is used to secure the lock in place. For more information, you can read advertisements in Notebook (sometimes referred to as “Mobile” or “Portable”) PC magazines.



### Other Security Products

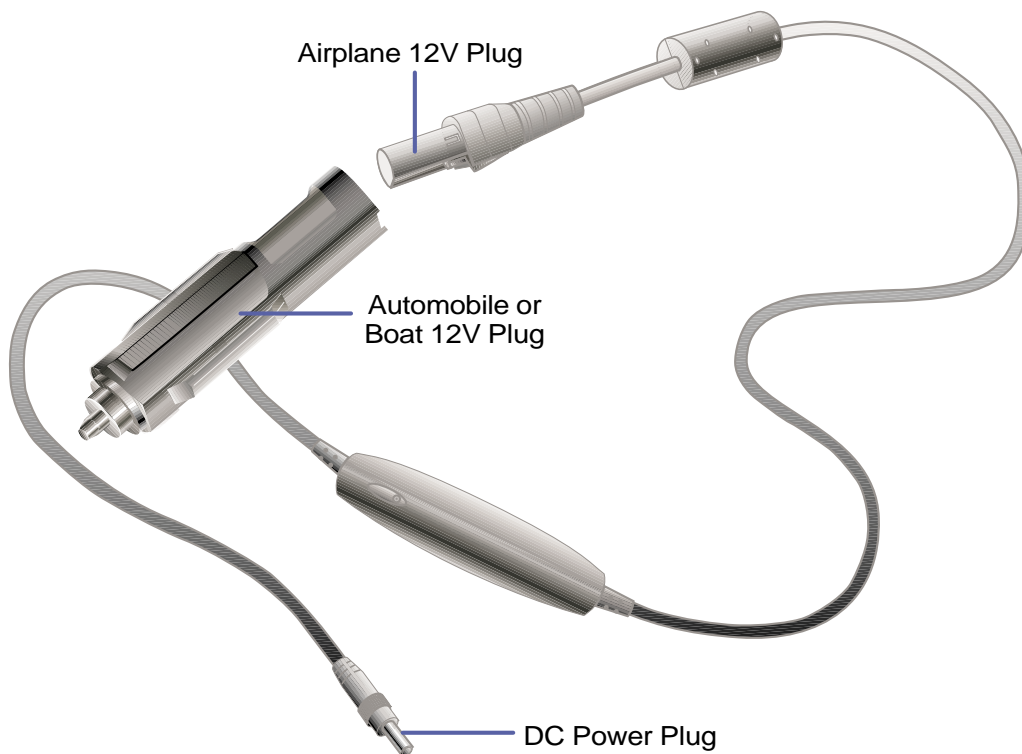
Another good security product is the PCMCIA lock. The dummy PCMCIA card with a cable inserts into the PCMCIA socket on the Notebook PC and mechanisms inside the dummy PCMCIA secures itself to the PCMCIA socket.



## 4. Using the Notebook PC

### Vehicle/Air Power Adapter (Optional)

This section is provided for the optional vehicle/air power adapter for the Notebook PC. The main purpose of the vehicle/air power adapter is to provide a source of power for using the Notebook PC and/or charging the Notebook PC's battery from a 12V DC receptacle such as those found in vehicles and certain airplanes.



### Features

The vehicle/air power adapter plugs into any vehicle's 12 volt DC cigarette or utility receptacle and produces an output of 19 Volts DC 2.64 Amp/hour or 50 Watts. These receptacles may be found in automobiles, airplanes, boats, power generators, and portable power units.

### Usage

Connect the volt plug into the automobile's or boat's cigarette or utility socket firmly. For airplanes, remove the adapter as shown in the illustration above. The DC power plug is same as the main power adapter and can be connected to either the Notebook PC or to the PortBar accessory.

## ***5. CONFIGURING THE BIOS***

---

**Managing and Updating Your BIOS**

**BIOS Setup Program**

**Main Menu**

**Primary IDE**

**Secondary IDE**

**Advanced Menu**

**I/O Device Configuration**

**Security Menu**

**Power Menu**

**Power Up Control**

**Boot Menu**

**Exit Menu**



## 4. Using the Notebook PC

### Managing and Updating Your BIOS

It is recommended that you save a copy of the original BIOS along with a Flash Memory Writer utility (AFLASH.EXE) to a bootable floppy disk in case you need to reinstall the BIOS later. **AFLASH.EXE** is a Flash Memory Writer utility that updates the BIOS by uploading a new BIOS file to the programmable flash ROM on the motherboard. This file works only in DOS mode. **To determine the BIOS version of your Notebook PC, check the code displayed on the upper left-hand corner of your screen during bootup or run AFLASH.EXE.** Larger numbers represent a newer BIOS file.

1. Type **FORMAT A:/S** at the DOS prompt to create a bootable system floppy disk. **DO NOT** copy AUTOEXEC.BAT & CONFIG.SYS to the disk.
2. Type **COPY D:\AFLASH\AFLASH.EXE A:\** (assuming D is your CD-ROM drive) to copy AFLASH.EXE to the just created boot disk.



**NOTE: AFLASH works only in DOS mode. It will not work with DOS prompt in Windows and will not work with certain memory drivers that may be loaded when you boot from your hard drive. It is recommended that you reboot using a floppy.**

3. Reboot your computer from the floppy disk. **NOTE:** BIOS setup must specify “Floppy” as the first item in the boot sequence.
4. In DOS mode, type **A:\AFLASH <Enter>** to run AFLASH.



**CAUTION! If “unknown” is displayed after Flash Memory:, the memory chip is either not programmable or is not supported by the ACPI BIOS and therefore, cannot be programmed by the Flash Memory Writer utility.**

5. Select **1. Save Current BIOS to File** from the Main menu and press <Enter>. The **Save Current BIOS To File** screen appears.
6. Type a filename and the path, for example, **A:\XXX-XX.XXX** and then press <Enter>.

### Managing and Updating Your BIOS From Your Hard Disk Drive

If you do not want to use a floppy disk or CD when managing or updating the BIOS. You can copy the files to your hard disk drive. The root directory will be the most convenient location. Substitute A:\ with C:\ for the procedures on these two pages. Instructions on booting to DOS from your hard disk drive:

1. **Windows 95/98:** Turn ON your Notebook PC and press **[F8]** before the Windows screen appears. Choose the option “**Command prompt only**”.  
**Windows ME:** You need the bootable Windows ME CD (WinME RCD) to boot into DOS mode.
2. At the “C:\” prompt (where the BIOS update files are located), type **<aflash>** and then press **[Enter]**.



**CAUTION! If your hard disk drive contains necessary data or is already bootable, DO NOT FORMAT your hard disk drive as instructed for the floppy diskette. See next page for details on updating your BIOS.**



### Updating BIOS Procedures (from floppy disk)



**WARNING!** Only update your BIOS if you have problems with your Notebook PC and you know that the new BIOS revision will solve your problems (read the BIOS release information provided on the download site before using). Careless updating can result in your Notebook PC having more problems!

1. Download an updated BIOS file from the Internet (WWW or FTP) (see CONTACT INFORMATION for details) and save to the disk you created earlier.
2. Boot from the disk you created earlier.
3. At the “A:\” prompt, type **AFLASH** and then press <Enter>.
4. At the **Main Menu**, type **2** and then press <Enter>. The **Update BIOS Including Boot Block and ESCD** screen appears.
5. Type the filename of your new BIOS and the path, for example, **A:\XXX-XX.XXX**, and then press <Enter>.

**NOTE:** To cancel this operation, press <Enter>.

6. When prompted to confirm the BIOS update, press <Y> to start the update.
7. The utility starts to program the new BIOS information into the flash ROM. The boot block will be updated automatically only when necessary. This will minimize the chance that a failed update will prevent your system from booting up. When the programming is finished, *Flashed Successfully* will be displayed.
8. Follow the onscreen instructions to continue.



**NOTE:** When you see the message “Boot Block is different”, you may still press <Y> to update the BIOS. Yet if the update fails, your system will run a greater risk of boot failure depending on whether the boot block is damaged or not.



**WARNING!** If you encounter problems while updating the new BIOS, **DO NOT** turn off your system since this might prevent your system from booting up. Just repeat the process, and if the problem still persists, update the original BIOS file you saved to disk above. If the Flash Memory Writer utility was not able to successfully update a complete BIOS file, your system may not be able to boot up. If this happens, your system will need servicing.



## 4. Using the Notebook PC

### BIOS Setup Program

This Notebook PC supports a programmable EEPROM that stores the BIOS software and can be updated using the provided utility as described in *Flash Memory Writer Utility*. This Section will guide you through the BIOS setup program by providing clear explanations for all the options. A default configuration has already been set. If you are either installing new devices or expanding main memory, you will need to enter the BIOS Setup to reconfigure your Notebook PC.

A battery backed-up CMOS RAM is used to record some basic system hardware information: clock, date, time, the error handling, and etc., even when the power is off. When the Notebook PC is turned back on, the system is configured with the values stored in the CMOS RAM.

The settings made in the BIOS Setup program intimately affect how the Notebook PC performs. It is important, therefore, to first understand all the Setup options, and second, to make settings appropriate for the way you use the Notebook PC.

The BIOS (Basic Input and Output System) Setup is a menu driven software utility that enables you to make changes to the system configuration and tailor your Notebook PC to reflect installed hardware, alter performance, and setup power saving functions. BIOS setup is used if you are setting up the Notebook PC for the first time, reconfiguring your system, or prompted to “**Run Setup**” during bootup. This section describes how to configure your system using this utility.

Even if you are not prompted to use the Setup program, at some time in the future you may want to change the configuration of your Notebook PC. For example, you may want to enable the Security Password Feature or make changes to the power management settings. It will then be necessary to reconfigure your system using the BIOS setup program so that the computer can recognize these changes and record them in the CMOS RAM of the EEPROM.

The Setup program has been designed to make it as easy to use as possible. It is a menu-driven program, which means you can scroll through the various sub-menus and make your selections among the predetermined choices.

When you start up the computer, the system provides you with the opportunity to run this program. This appears during the Power-On Self Test (POST). Press [F2] to call up the Setup utility. If you are a little bit late in pressing the mentioned key, POST will continue with its test routines, thus preventing you from calling up Setup. If you still need to call Setup, restart the system by pressing [Ctrl] + [Alt] + [Delete], or by pressing the Reset button if available. You can also restart by turning the system OFF and then back ON again. But do so only if the first two methods fail.

**To access the BIOS Setup program, press the [F2] key immediately when you see the splash screen during bootup (about 1 second after powering ON). You can also press the [ESC] key and select “Enter Setup”. If you are late, you will have to restart your Notebook PC and try again. There are no other methods to enter the BIOS setup.**



**NOTE:** Because the BIOS software is constantly being updated, the following BIOS screens and descriptions are for reference purposes only and may not exactly reflect your BIOS screens.





## BIOS Menu Bar

The top of the screen has a menu bar with the following selections:

<b>MAIN</b>	Use this menu to make changes to the basic system configuration.
<b>ADVANCED</b>	Use this menu to enable and make changes to the advanced features
<b>SECURITY</b>	Use this menu to set a password to control bootup and control access to the BIOS setup menu.
<b>POWER</b>	Use this menu to configure and enable Power Management features.
<b>BOOT</b>	Use this menu to configure the default system device used to locate and load the Operating System.
<b>EXIT</b>	Use this menu to exit the current menu or specify how to exit the Setup program.

To access the menu bar items, press the right or left arrow key on the keyboard until the desired item is highlighted.

## BIOS Legend Bar

At the bottom of the Setup screen you will notice a legend bar. The keys in the legend bar allow you to navigate through the various setup menus. The following table lists the keys found in the legend bar and those that are not with their corresponding alternates and functions.

### **Navigation Key(s)    Function Description**

<b>[F1] or [Alt H]</b>	Displays the General Help screen from anywhere in the BIOS Setup
<b>[Esc] or [Alt X]</b>	Jumps to the Exit menu or returns to the main menu from a sub-menu
<b>← or → (keypad arrow)</b>	Selects the menu item to the left or right
<b>↑ or ↓ (keypad arrows)</b>	Moves the highlight up or down between fields
<b>– (minus) or [F5]</b>	Scrolls backward through the values for the highlighted field
<b>+ (plus) or [F6] or space</b>	Scrolls forward through the values for the highlighted field
<b>[Enter]</b>	Brings up a selection menu for the highlighted field
<b>[Home] or [PgUp]</b>	Moves the cursor to the first field
<b>[End] or [PgDn]</b>	Moves the cursor to the last field
<b>[F9]</b>	Resets the current screen to its Setup Defaults
<b>[F10]</b>	Saves changes and exits Setup



## 4. Using the Notebook PC

### General Help

In addition to the Item Specific Help window, the BIOS setup program also provides a General Help screen. This screen can be called up from any menu by simply pressing [F1] or the [Alt] + [H] combination. The General Help screen lists the legend keys with their corresponding alternates and functions.

### Saving Changes and Exiting the Setup Program

See *Exit Menu* for detailed information on saving changes and exiting the setup program.

### Scroll Bar

When a scroll bar appears to the right of a help window, it indicates that there is more information to be displayed that will not fit in the window. Use [PgUp] and [PgDn] or the up and down arrow keys to scroll through the entire help document. Press [Home] to display the first page, press [End] to go to the last page. To exit the help window, press [Enter] or [Esc].

### Sub-Menu



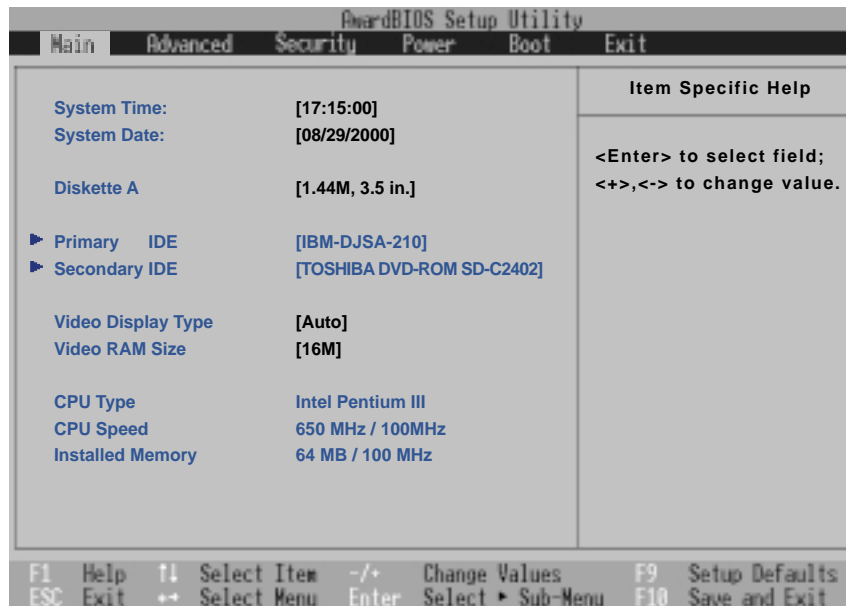
Note that a right pointer symbol (as shown in the left view) appears to the left of certain fields. This pointer indicates that a sub-menu can be launched from this field. A sub-menu contains additional options for a field parameter. To call up a sub-menu, simply move the highlight to the field and press [Enter]. The sub-menu will then immediately appear. Use the legend keys to enter values and move from field to field within a sub-menu just as you would within a menu. Use the [Esc] key to return to the main menu.

Take some time to familiarize yourself with each of the legend keys and their corresponding functions. Practice navigating through the various menus and sub-menus. If you accidentally make unwanted changes to any of the fields, use the set default hot key [F5]. While moving around through the Setup program, note that explanations appear in the Item Specific Help window located to the right of each menu. This window displays the help text for the currently highlighted field.



## Main Menu

When the Setup program is accessed, the main menu screen appears as shown:



**NOTE:** In the following BIOS item descriptions, the item headings in square brackets represent the default settings for those fields.

### System Time:

Sets your system to the time that you specify (usually the current time). The format is hour, minute, second. Insert the appropriate information. Use the [Tab] or [Shift] + [Tab] keys to move between the hour, minute, and second fields.

### System Date:

Sets your system to the date that you specify (usually the current date). The format is month, day, year. Type in the appropriate information. Use the [Tab] or [Shift] + [Tab] keys to move between the month, day, and year fields.

### >Primary IDE (described later)

### >Secondary IDE (described later)



## 4. Using the Notebook PC

### **Video Display Type [Auto]**

This field allows you to select and enable video display devices, such as an LCD panel, an external CRT/LCD monitor, or both. The configuration options are: [Auto] [CRT] [CRT + LCD] [CRT + TV]

### **Video RAM Size [8M]**

The built-in graphics utilizes a shared memory architecture. That means that the graphics chip does not have its own video memory but instead borrows some memory from the system memory. You can increase the amount of memory allocated to the graphics chip to improve graphics performance if you have enough system memory available. The configuration options are: [2M] [4M] [8M] [16M] [32M]

### **CPU Type [Intel(R) Celeron(TM)] (display field)**

This field gives you information on your Notebook PC's CPU type as detected by the system. You cannot make changes to this field. This is a display only field.

### **CPU Speed [600 MHz / 100 MHz] (display field)**

This field gives you information on your Notebook PC's external and internal frequency as detected by the system. You cannot make changes to this field. This is a display only field.

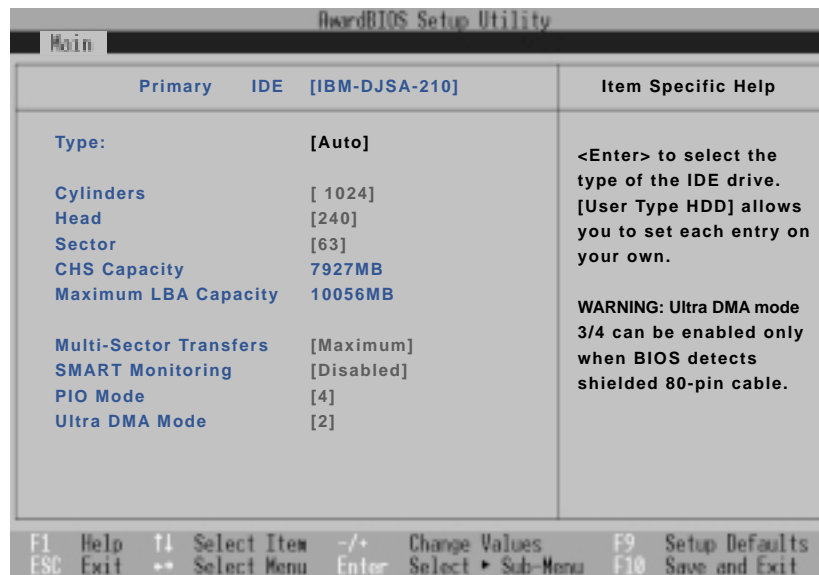
### **Installed Memory [64 MB / 100 MHz] (display field)**

This field displays the amount of extended memory and the memory speed as detected by the system. For example 64512 KB means you have 64MB of system memory. Unfortunately, this will not tell you how much is onboard and how much is added to the SO-DIMM socket. You must visually inspect the SO-DIMM socket if you are considering expanding your memory. You cannot make changes to this field. This is a display only field.



## Primary IDE (sub-menu)

This field is used to configure the primary IDE drive installed in the system. To configure a hard disk drive, select this sub-menu from the **Main** menu and press the Enter key to enter this sub-menu.



**NOTE:** Before attempting to configure a hard disk drive, make sure you have the configuration information supplied by the manufacturer of the drive. Incorrect settings may cause your system to not recognize the installed hard disk. To allow the BIOS to detect the drive type automatically, select [AUTO].

### Type: [Auto] (Use the “-” or “Shift +” key to change setting)

Select **Auto** to automatically detect an IDE type drive. This option only works with standard built-in IDE drives. If automatic detection is successful, the correct values will be filled in for the remaining fields on this sub-menu.

To configure a drive manually, select **User**. Manually enter the number of cylinders, heads and sectors per track for your drive. Refer to your drive documentation or look on the drive for this information. If no drive is installed or if you are removing a drive and not replacing it, select **None**. Set the type to **CD-ROM** to support a CD-ROM or DVD-ROM drive.

### Cylinders

This field configures the number of cylinders. Refer to your drive documentation to determine the correct value to enter into this field. **NOTE:** To make changes to this field, the **Type** field must be set to **User**.

### Heads

This field configures the number of read/write heads. Refer to your drive documentation to determine the correct value to enter into this field. **NOTE:** To make changes to this field, the **Type** field must be set to **User**.



## 4. Using the Notebook PC

### Sectors

This field configures the number of sectors per track. Refer to your drive documentation to determine the correct value to enter into this field. **NOTE:** To make changes to this field, the **Type** field must be set to **User**.

### Maximum Capacity

This field shows the drive's maximum capacity calculated automatically by the BIOS from the drive information you entered.

### Multi-Sector Transfers

This option automatically sets the number of sectors per block to the highest number supported by the drive. This field can also be configured manually. Note that when this field is automatically configured, the set value may not always be the fastest value for the drive. Refer to the documentation that came with your hard drive to determine the optimal value and set it manually. **NOTE:** To make changes to this field, the **Type** field must be set to **User**. The configuration options are: [Disabled] [2 Sectors] [4 Sectors] [8 Sectors] [16 Sectors]

### LBA Mode Control

When Logical Block Addressing is enabled, 28-bit addressing of the hard drive is used without regard for cylinders, heads, or sectors. Note that Logical Block Access may decrease the access speed of the hard disk. However, LBA Mode is necessary for drives with greater than 504MB in storage capacity. **NOTE:** To make changes to this field, the **Type** field must be set to **User**. The configuration options are: [Disabled] [Enabled]

### 32 Bit I/O [Enabled]

When enabled, this option speeds up communication between the CPU and the IDE controller. This option supports PCI local bus only. ISA bus is not supported. **NOTE:** To make changes to this field, the **Type** field must be set to **User**. The configuration options are: [Disabled] [Enabled]

### Transfer Mode

When enabled, this option speeds up communication between the system and the IDE controller by using enhanced I/O transfer modes (PIO Modes). **NOTE:** To make changes to this field, the **Type** field must be set to **User**. The configuration options are: [Standard] [Fast PIO 1] [Fast PIO 2] [Fast PIO 3] [Fast PIO 4]

### Ultra DMA Mode

This field auto detects Ultra DMA capability (for improved transfer speeds and data integrity) for compatible IDE devices. Set to Disable to suppress Ultra DMA capability. **NOTE:** To make changes to this field, the **Type** field must be set to **User**. The configuration options are: [Disabled] [Mode 0] [Mode 1] [Mode 2]



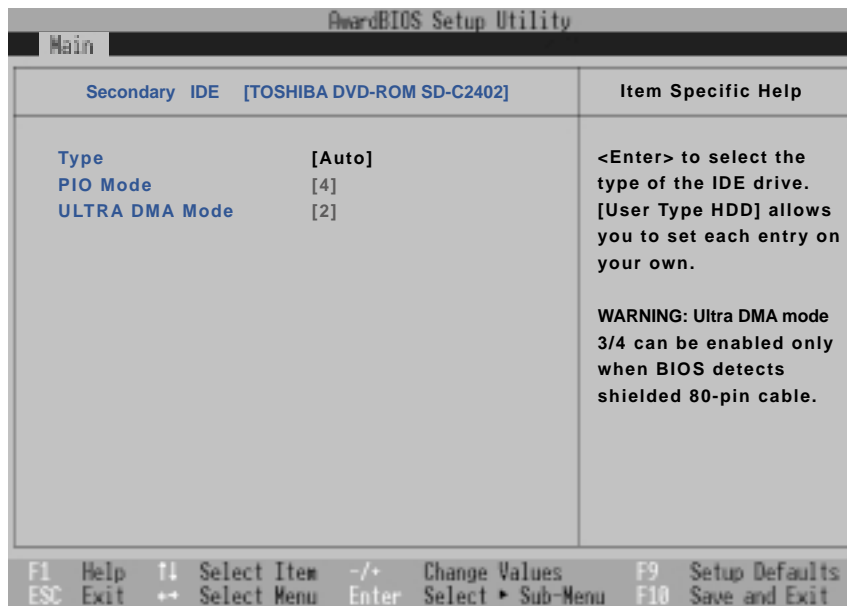
**NOTE:** After using the legend keys to make your selections on this sub-menu, press the [Esc] key to exit back to the Main menu. When the Main menu appears, you will notice that the drive size appears in the field for the hard disk drive that you just configured.



## Secondary IDE (sub-menu)

This field is used to configure the secondary IDE drive installed in the system. To configure a hard disk drive, select this sub-menu from the **Main** menu and press the Enter key to enter this sub-menu.

The fields and options on this sub-menu are the same as the previous menu described earlier. Set the type as CD-ROM in this field to support an inserted CD-ROM or DVD drive module.



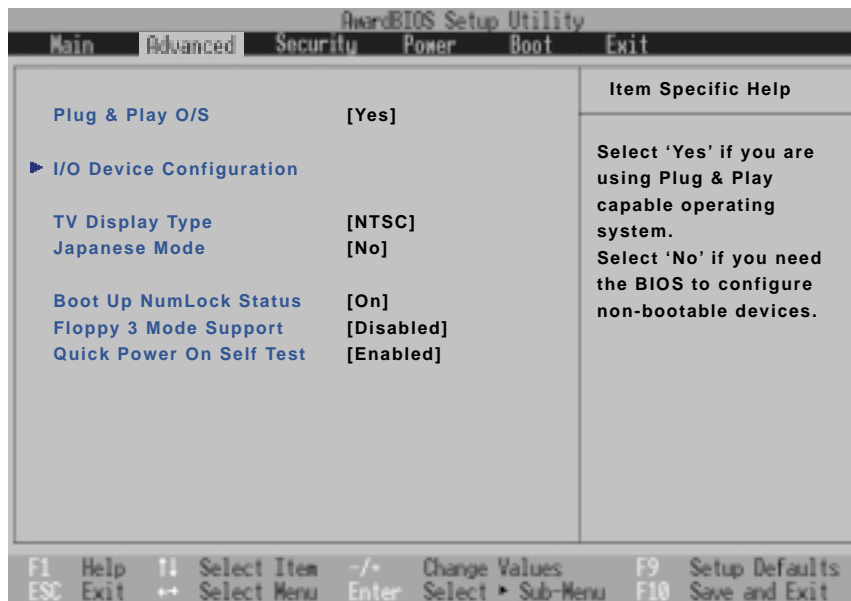
**NOTE:** After using the legend keys to make your selections in this sub-menu, press the [Esc] key to return to the Main menu.



## 4. Using the Notebook PC

### Advanced Menu

Selecting Advanced from the main menu bar display the Advanced menu as shown below.



#### Plug & Play O/S [Yes]

This field gives operating system information to the BIOS so that plug and play information can be set accordingly. The default assumes that your operating system is plug and play compliant such as MS Windows 98/ME/2000. The configuration options are: [No] [Yes].

#### >I/O Device Configuration (described later)

Pressing [Enter] when this field is highlighted calls up a sub-menu for configuring the Notebook PC's serial and parallel ports. See the Advanced sub-menu for descriptions of each sub-menu items.

#### TV Display Type [NTSC]

This sets the video synchronization mode for your video output device (television or video projector). The setting depends on the territory that your video output device is manufactured for. The configuration options are: [NTSC] [PAL]

#### Japanese Mode [No]

This sets the video synchronization mode for your video output device (television or video projector) for video devices designed for Japanese territories using standards such as J-NTSC. The configuration options are: [No] [Yes]





### **Boot Up NumLock Status [On]**

Specifies the status of the keyboard's number lock function when the Notebook PC is turned ON. The configuration options are: [Off] [On]

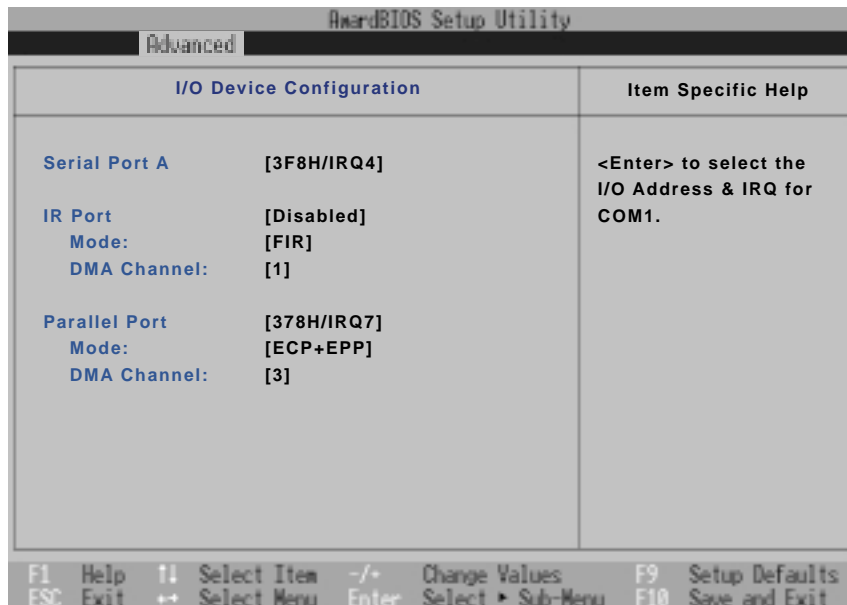
### **Quick Power On Seft Test [Enabled]**

When enabled, the system skips certain tests and boots up faster then normal. Disabled is generally used for testing purposes. The configuration options are: [Disabled] [Enabled]



## 4. Using the Notebook PC

### I/O Device Configuration (sub-menu)



**NOTE:** The presence of sub-items in this menu is dependent on certain relevant settings.



**WARNING!** Changing the default address and IRQ settings for Serial Port or Parallel Port can cause conflicts with other system devices or installed peripherals.

#### Serial Port A: [3F8H/IRQ4]

This field allows you to configure the Notebook PC serial COM1 port. The configuration options are: [Disabled] [User] [Auto]

#### IR Port: [Disabled]

This field allows you to configure the Notebook PC's serial IR port. To enable this port, select an address that does not conflict with another port. A conflict will be noted by red asterisks next to this item and the item in conflict with. The configuration options are: [3F8H/IRQ4] [2F8H/IRQ3] [3E8H/IRQ4] [2E8H/IRQ10] [Disabled]

#### Mode: [FIR]

When **User** is selected, the **Mode** field allows you to select either Standard Infrared (SIR) or Fast Infrared (FIR) communication mode. The configuration options are: [SIR] [FIR]

#### DMA Channel: [1]

The **DMA Channel** field allows you to configure the Parallel port DMA Channel for the selected **ECP** mode. The configuration options are: [1] [3]



### **Parallel Port: [378H/IRQ7]**

This field allows you to configure the Notebook PC parallel port. The configuration options are: [Disabled] [378H/IRQ7] [278H/IRQ5]

#### **Mode: [ECP+EPP]**

The **Mode** field allows you to configure the Notebook PC parallel port transmission mode. The configuration options are: [Normal] [EPP] [ECP] [ECP+EPP]

**EPP Mode:** When the **EPP** mode is selected, the standard and bidirectional modes are also available. The EPP operates on a two phase cycle. First, the host selects the register within a device for subsequent operations. Second, the host performs a series of read and/or write byte operations to the selected register. There are four operations supported by EPP: Address Write, Data Write, Address Read, and Data Read. All operations are performed asynchronously.

**ECP Mode:** The port is both software and hardware compatible with existing parallel ports so that it may be used as a standard printer mode if ECP is not required. ECP mode provides an automatic high burst-bandwidth channel that supports DMA for ECP in both the forward (host to peripheral) and reverse (peripheral to host) direction.

#### **DMA Channel: [3]**

The **DMA Channel** field allows you to configure the Parallel port DMA Channel for the selected **ECP** mode. The configuration options are: [1] [3]

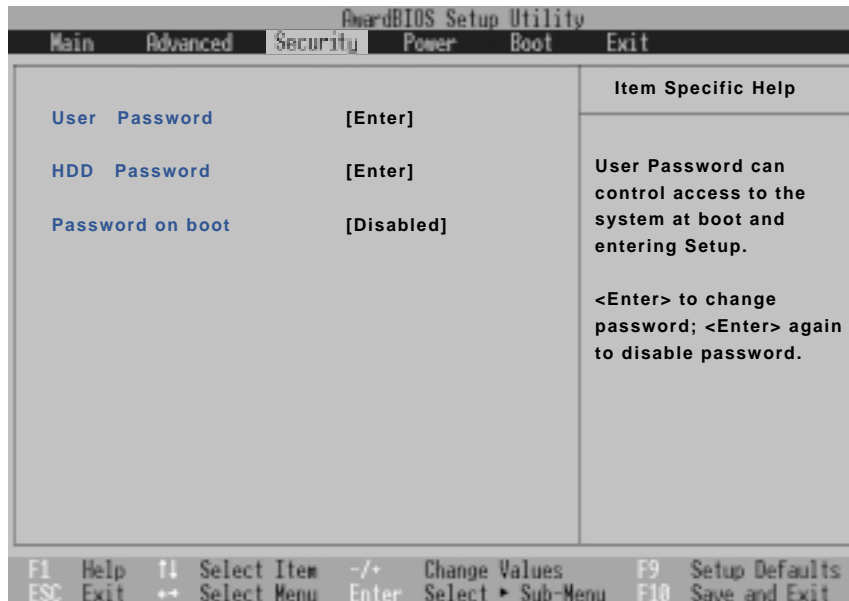
**NOTE:** After using the legend keys to make your selections for the I/O Device Configuration sub-menu, press the [Esc] key to exit back to the Advanced menu.



## 4. Using the Notebook PC

### Security Menu

The Notebook PC's advanced system of security allows you to set a password to prevent unauthorized access to system resources, data, and the BIOS Setup Program. This Section covers each parameter of the Security Setup. Selecting Security from the menu bar displays the following menu:



The BIOS Setup program allows you to specify passwords in the Security menu. The passwords control access to the BIOS and certain Security menu options during system startup. The passwords are not case sensitive. In other words, it makes no difference whether you enter a password using upper or lowercase letters.

The BIOS Setup program allows you to specify two separate passwords: a Supervisor password and a User password. When disabled, anyone may access all BIOS Setup program functions. When enabled, the Supervisor password is required for entering the BIOS Setup program and having full access to all Security menu options.

#### User Password

This field allows you to set the User password. To set the User password, highlight this field and press [Enter].

Set Supervisor Password	
Enter New Password	[            ]
Confirm New Password	[            ]



Type the password next to “Enter New Password” and press [Enter]. You can type up to eight alphanumeric characters. Symbols and other keys are ignored. To confirm the password, type the password next to “Confirm New Password” and press the [Enter] key.

The User password is now set. This password allows full access to the BIOS Setup menus.

Set Supervisor Password		
Enter Current Password	[	]
Enter New Password	[	]
Confirm New Password	[	]

To change the password or clear the password, highlight this field and press [Enter]. The dialog box will appear with an extra line asking “Enter Current Password”. Enter the current password. Press [Enter] twice to clear the password or enter a new password twice to set a new password.

## HDD Password

This function is set in the same way as the System Boot Entry above. Hard disk password places a protection on each hard disk drive partition so that a password is necessary in order to access the hard disk drive. If someone tries to access the hard disk drive from another computer, it would appear as if there is no usable partition on the hard disk drive. If the hard disk drive is used on this or another Notebook PC with this function, a password will be asked when the hard disk drive is accessed.

### Password on boot: [Disabled]

This option requires prior setting of the User password to function. When enabled, the system will then require the User password before the system can bootup. When set to **Always**, the system will then require either the User password before allowing access to the system when resuming from suspend. The configuration options are: [Disabled] [On Boot] [Always]

## Password Usage Summary

There are several security passwords available to protect the Notebook PC. The following are situations where passwords can be applied.

**On Boot:** The BIOS will prompt for a password before booting the operating system. If three failed attempts are detected, the BIOS will halt the Notebook PC.

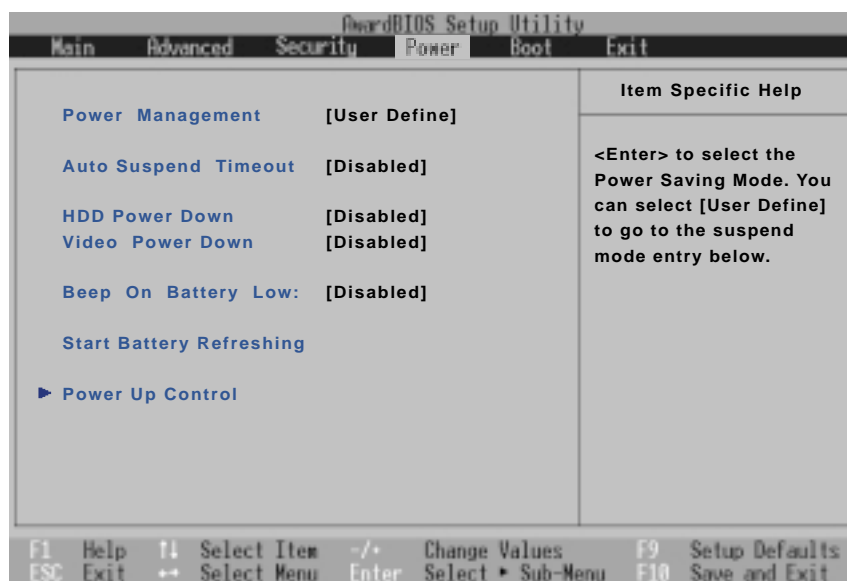
**Hard Drive:** The BIOS will prompt for a password during system bootup (POST) and Resume. If three failed attempts are made, the BIOS will freeze the Notebook PC.



## 4. Using the Notebook PC

### Power Menu

The Power menu of the Setup program allows you to manually enable and adjust certain power saving features of the Notebook PC, which are necessary for systems without APM or ACPI. For Windows 98 with APM or ACPI, all power saving controls (except “Suspend Mode”) are made through the operating system. Enabling these features will extend the life of the battery pack between charges. To make changes to power management settings, select Power Savings from the menu bar. The following menu appears:



#### Power Management [User Define]

This option must be enabled to use any of the automatic power saving features.

If this menu item is set to Disabled, power management features will not function regardless of other field settings on this menu. The Customized option allows you to make your own selections in the Power menu. When set to **Maximum Power Savings**, system power will be conserved to its greatest amount. The next four fields will then be set to predefined values that ensure maximum power savings.

When this field is set to **Maximum Performance**, best system performance is achieved with some power conservation. The next four fields will then be set to predefined values that ensure maximum power savings

The configuration options are: [User Define] [Disabled] [Min Saving] [Max Saving]



### **Auto Suspend Timeout [Disabled]**

This option is only enabled when **User Define** is selected in the **Power Management** field. This field allows you to specify the period of inactivity before the system automatically switches to Suspend mode. In Suspend mode, various devices including the LCD backlight are powered off and the system enters a low power CPU state. If Advanced Power Management (APM) is used, this function will be controlled by APM and may function differently depending on the APM settings. The configuration options are: [Disabled] [1-2Min] [2-3Min] [4-5Min] [8-9Min] [20Min] [30Min] [40Min] [1 Hour]

### **HDD Power Down [Disabled]**

This field allows you to specify the period of inactivity required before the hard disk spins down and enters power saving mode. The configuration options are: [Disabled] [1 Min]...[15 Min]

### **Video Power Down [Disabled]**

This field allows you to specify the period of inactivity required before the display panel turns off. The configuration options are: [Disabled] [1-2Min] [2-3Min] [4-5Min] [8-9Min] [20Min] [30Min] [40Min] [1 Hour]

### **Beep On Battery Low [Disabled]**

This option allows you to enable or disable the low battery warning beep. The configuration options are: [Disabled] [Enabled]

### **Start Battery Refreshing**

This function will start a software program to remove memory effects in the battery and recalibrate the battery gauge. Even though this Notebook PC uses a Lithium-Ion battery which is not prone to memory effects, memory effects will still occur at the end of the battery's life cycle. Remember that all rechargeable batteries only have a definite number of charge and discharge cycles depending on environment and quality of the battery pack. **Remove the AC power adapter before using this function.**

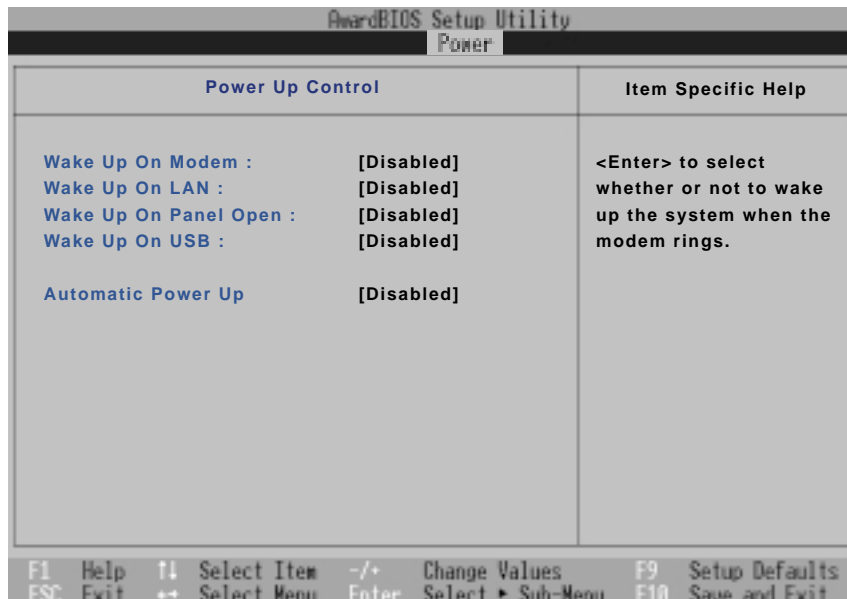
**>Power Up Control (described on next page)**



## 4. Using the Notebook PC

### Power Up Control (Sub-Menu)

The Power Up Control menu allows the user to specify events that are allowed to power up the Notebook PC.



#### Wake Up On Modem: [Disabled]

This allows either settings of [Enabled] or [Disabled] for powering up the computer when the built-in modem receives a call while the Notebook PC is OFF. **NOTE:** The computer cannot receive or transmit data until the computer and applications are fully running. Thus connection cannot be made on the first try. Configuration options are: [Disabled] [Enabled]

#### Wake Up On LAN: [Disabled]

This allows your computer to be booted from another computer via a network by sending a wake-up frame or signal. Configuration options: [Disabled] [Enabled]

#### Wake Up On Panel Open: [Disabled]

This allows your computer to be powered ON when the display panel is opened. Configuration options: [Disabled] [Enabled]

#### Wake Up On USB: [Disabled]

This field allows you to use your USB device/s, if any, to power up your Notebook PC. Configuration options are: [Disabled] [Enabled]





### **Automatic Power Up: [Disabled]**

This allows an unattended or automatic system power up. You may configure your system to power up at a certain time of the day by selecting [Everyday] or at a certain time and day by selecting [By Date]. Configuration options are: [Disabled] [Everyday] [By Date]

#### **Everyday: Time (hh:mm:ss) Alarm**

Enter the time (24 hour system) you wish your Notebook PC to power up using the cursor to navigate and the number keys to enter the numeric value. For example 1:30PM will be [13:30:00].

#### **By Date: Date of Month Alarm**

Enter the date you wish your Notebook PC to power up each month. Use the cursor to navigate and the number keys to enter the numeric value.

#### **Time (hh:mm:ss) Alarm (on the date set in “By Date”)**

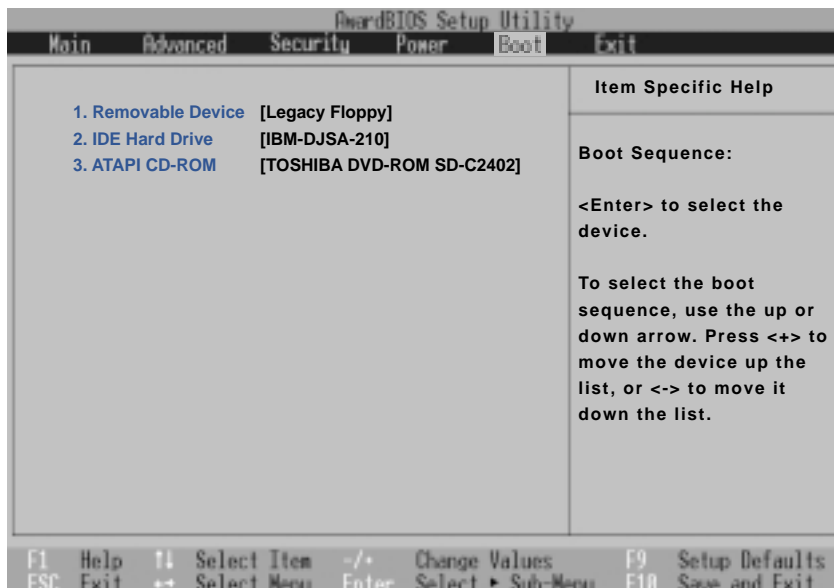
Enter the time (24 hour system) you wish your Notebook PC to power up using the cursor to navigate and the number keys to enter the numeric value. For example 1:30PM will be [13:30:00].



## 4. Using the Notebook PC

### Boot Menu

The Boot menu allows the user to specify the order in which the Notebook PC is to check for a device to boot the system. To make changes, select **Boot** from the menu bar and the following screen appears:



### Boot Sequence

1. Removable Device
2. IDE Hard Drive
3. ATAPI CD-ROM

The Boot menu allows you to select among the three possible boot devices listed using the up and down arrow keys. By using the [Shift +] keys, you can promote devices and by using the [-] key, you can demote devices. Press [Enter] to select the specific device or **Disabled** to never boot from that device.

Promotion or demotion of devices alters the priority which the system uses to search for a boot device on system power up. The following are explanations of the devices listed in the boot sequence:

**Removable Device** refer to the floppy disk used in the built-in floppy disk drive.

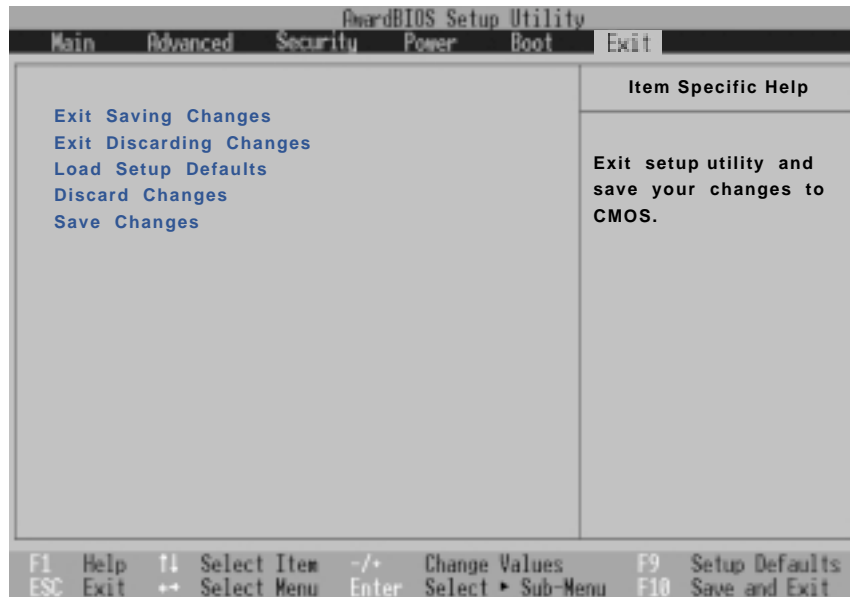
**IDE Hard Drive** refers to the internal built-in hard disk drive.

**ATAPI CD-ROM** refers to either the built-in CD-ROM drive or DVD-ROM drive.



## Exit Menu

Once you have made all of your selections from the various menus in the Setup program, you should save your changes and exit Setup. Select **Exit** from the menu bar to display the following menu:



**NOTE:** Pressing the [Esc] key does not exit this menu. You must select one of the options from this menu or a menu bar item to exit this menu.

### Exit Saving Changes

Once you are finished making your selections, choose this option from the Exit menu to ensure the values you selected are saved to the CMOS RAM. The CMOS RAM is sustained by an onboard backup battery and stays on even when the Notebook PC is turned off. Once this option is selected, a confirmation is asked. Select **Yes** to save changes and exit.

### Exit Discarding Changes

This option should only be used if you do not want to save the changes you have made to the Setup program. If you have made changes to the fields other than system date, system time, and password, the system will ask for confirmation before exiting.



## 4. Using the Notebook PC

### **Load Setup Defaults**

This option allows you to load the default values for each of the parameters on the Setup menus. When this option is selected or if [F9] is pressed, a confirmation is requested. Select **Yes** to load default values programmed into the BIOS file (the default values may change from one BIOS version to another). You can now select **Exit Saving Changes** or make other changes before saving the values to the EEPROM.

### **Discard Changes**

This option allows you to discard the selections you made and restore the values you previously saved. After selecting this option, all selections are updated and a confirmation is requested. Select **Yes** to discard any changes and load the previously saved values.

### **Save Changes**

This option saves your selections without exiting the Setup program. You can then return to other menus and make changes. After selecting this option, all selections are saved and a confirmation is requested. Select **Yes** to save any changes to the EEPROM.

# ***APPENDIX***

---

**Internal Modem Compliancy**  
**Glossary**  
**Owner Information**



# Internal Modem Compliancy

## Protocols and Compliancy

The Notebook PC with internal modem model complies with JATE (Japan), FCC (US, Canada, Korea, Taiwan), and CTR21. The internal modem has been approved in accordance with Council Decision 98/482/EC for pan-European single terminal connection to the public switched telephone network (PSTN). However due to differences between the individual PSTNs provided in different countries, the approval does not, of itself, give an unconditional assurance of successful operation on every PSTN network termination point. In the event of problems you should contact your equipment supplier in the first instance.

### Overview

On 4th August 1998 the European Council Decision regarding the CTR 21 has been published in the Official Journal of the EC. The CTR 21 applies to all non voice terminal equipment with DTMF-dialling which is intended to be connected to the analogue PSTN (Public Switched Telephone Network).

CTR 21 (Common Technical Regulation) for the attachment requirements for connection to the analogue public switched telephone networks of terminal equipment (excluding terminal equipment supporting the voice telephony justified case service) in which network addressing, if provided, is by means of dual tone multifrequency signalling.

### Network Compatibility Declaration

Statement to be made by the manufacturer to the Notified Body and the vendor: "This declaration will indicate the networks with which the equipment is designed to work and any notified networks with which the equipment may have inter-working difficulties"

### Network Compatibility Declaration

Statement to be made by the manufacturer to the user: "This declaration will indicate the networks with which the equipment is designed to work and any notified networks with which the equipment may have inter-working difficulties. The manufacturer shall also associate a statement to make it clear where network compatibility is dependent on physical and software switch settings. It will also advise the user to contact the vendor if it is desired to use the equipment on another network."

Up to now the Notified Body of CETECOM issued several pan-European approvals using CTR 21. The results are Europe's first modems which do not require regulatory approvals in each individual European country.

### Non-Voice Equipment

Answering machines and loud-speaking telephones can be eligible as well as modems, fax machines, auto-dialers and alarm systems. Equipment in which the end-to-end quality of speech is controlled by regulations (e.g. handset telephones and in some countries also cordless telephones) is excluded.



**This table shows the countries currently under the CTR21 standard.**

<u>Country</u>	<u>Applied</u>	<u>More Testing</u>
Austria <sup>1</sup>	Yes	No
Belgium	Yes	No
Czech Republic	No	not applicable
Denmark <sup>1</sup>	Yes	Yes
Finland	Yes	No
France	Yes	No
Germany	Yes	No
Greece	Yes	No
Hungary	No	not applicable
Iceland	Yes	No
Ireland	Yes	No
Italy	Pending	Pending
Israel	No	No
Lichtenstein	Yes	No
Luxemburg	Yes	No
The Netherlands <sup>1</sup>	Yes	Yes
Norway	Yes	No
Poland	No	not applicable
Portugal	No	not applicable
Spain	No	not applicable
Sweden	Yes	No
Switzerland	Yes	No
United Kingdom	Yes	No

This information was copied from CETECOM and is supplied without liability. For updates to this table, you may visit [http://www.cetecom.de/technologies/ctr\\_21.html](http://www.cetecom.de/technologies/ctr_21.html)

<sup>1</sup> National requirements will apply only if the equipment may use pulse dialling (manufacturers may state in the user guide that the equipment is only intended to support DTMF signalling, which would make any additional testing superfluous).

In The Netherlands additional testing is required for series connection and caller ID facilities.







## Glossary

### ACPI (Advanced Configuration and Power Management Interface)

Modern standard for reducing power usage in computers.

### AUTOEXEC.BAT

AUTOEXEC.BAT is a special-purpose file that is automatically executed by DOS whenever the computer is turned ON or restarted. This file contains important commands that help configure the system to work with certain software and devices. Windows 95 and later has its own startup files and may not use or may ignore parts of the AUTOEXEC.BAT file.

### AWG (American Wire Gauge)

Gauge AWG	Diam (mm)	Area (mm <sup>2</sup> )	R (ohm/km)	I@3A/mm <sup>2</sup> (mA)	Gauge AWG	Diam (mm)	Area (mm <sup>2</sup> )	R (ohm/km)	I@3A/mm <sup>2</sup> (mA)
46	0.04	0.0013	13700	3.8	24	0.50	0.20	87.5	588
44	0.05	0.0020	8750	6		0.55	0.24	72.3	715
42	0.06	0.0028	6070	9		0.60	0.28	60.7	850
41	0.07	0.0039	4460	12	22	0.65	0.33	51.7	1.0 A
40	0.08	0.0050	3420	15		0.70	0.39	44.6	1.16 A
39	0.09	0.0064	2700	19		0.75	0.44	38.9	1.32 A
38	0.10	0.0078	2190	24	20	0.80	0.50	34.1	1.51 A
37	0.11	0.0095	1810	28		0.85	0.57	30.2	1.70 A
	0.12	0.011	1520	33	19	0.90	0.64	26.9	1.91 A
36	0.13	0.013	1300	40		0.95	0.71	24.3	2.12 A
35	0.14	0.015	1120	45	18	1.00	0.78	21.9	2.36 A
	0.15	0.018	970	54		1.10	0.95	18.1	2.85 A
34	0.16	0.020	844	60		1.20	1.1	15.2	3.38 A
	0.17	0.023	757	68	16	1.30	1.3	13.0	3.97 A
33	0.18	0.026	676	75		1.40	1.5	11.2	4.60 A
	0.19	0.028	605	85		1.50	1.8	9.70	5.30 A
32	0.20	0.031	547	93	14	1.60	2.0	8.54	6.0 A
30	0.25	0.049	351	147		1.70	2.3	7.57	6.7 A
29	0.30	0.071	243	212	13	1.80	2.6	6.76	7.6 A
27	0.35	0.096	178	288		1.90	2.8	6.05	8.5 A
26	0.40	0.13	137	378	12	2.00	3.1	5.47	9.4 A
25	0.45	0.16	108	477					



**NOTE:** This table is for general reference only and should not be used as a source of the American Wire Gauge standard as this table may not be current or complete.



## APPENDIX

### **BIOS (Basic Input/Output System)**

BIOS is a set of routines that affect how the computer transfers data between computer components, such as memory, disks, and the display adapter. The BIOS instructions are built into the computer's read-only memory. BIOS parameters can be configured by the user through the BIOS Setup program. The BIOS can be updated using the provided utility to copy a new BIOS file into the EEPROM.

### **Bit (Binary Digit)**

Represents the smallest unit of data used by the computer. A bit can have one of two values: 0 or 1.

### **Boot**

Boot means to start the computer operating system by loading it into system memory. When the manual instructs you to "boot" your system (or computer), it means to turn ON your computer. "Reboot" means to restart your computer. When using Windows 95 or later, selecting "Restart" from "Start | Shut Down..." will reboot your computer.

### **Bus Master IDE**

PIO (Programmable I/O) IDE requires that the CPU be involved in IDE access and waiting for mechanical events. Bus master IDE transfers data to/from the memory without interrupting the CPU. Bus master IDE driver and bus master IDE hard disk drives are required to support bus master IDE mode.

### **Byte (Binary Term)**

One byte is a group of eight contiguous bits. A byte is used to represent a single alphanumeric character, punctuation mark, or other symbol.

### **Clock Throttling**

Chipset function which allows the processor's clock to be stopped and started at a known duty cycle. Clock throttling is used for power savings, thermal management, and reducing processing speed.

### **COM Port**

COM is a logical device name used by to designate the computer serial ports. Pointing devices, modems, and infrared modules can be connected to COM ports. Each COM port is configured to use a different IRQ and address assignment.

### **CPU (Central Processing Unit)**

The CPU, sometimes called "Processor," actually functions as the "brain" of the computer. It interprets and executes program commands and processes data stored in memory.

### **Device Driver**

A device driver is a special set of instructions that allows the computer's operating system to communicate with devices such as VGA, audio, Ethernet, printer, or modem.

### **Hardware**

Hardware is a general term referring to the physical components of a computer system, including peripherals such as printers, modems, and pointing devices.



## **IDE (Integrated Drive Electronics)**

IDE devices integrate the drive control circuitry directly on the drive itself, eliminating the need for a separate adapter card (in the case for SCSI devices). UltraDMA/33 IDE devices can achieve up to 33MB/Sec transfer.

## **LPT Port (Line Printer Port)**

Logical device name reserved by DOS for the computer parallel ports. Each LPT port is configured to use a different IRQ and address assignment.

## **MMX**

A set of 57 new instructions based on a technique called Single Instruction, Multiple Data (SIMD), which is built into the new Intel Pentium PP/MT (P55C) and Pentium II (Klamath) CPU as well as other x86-compatible microprocessors. The MMX instructions are designed to accelerate multimedia and communications applications, such as 3D video, 3D sound, video conference.

## **North Bridge**

The CPU to PCI interface, also contains the memory and cache controllers.

## **PCI Bus (Peripheral Component Interconnect Local Bus)**

PCI bus is a specification that defines a 32-bit data bus interface. PCI is a standard widely used by expansion card manufacturers.

## **Peripherals**

Peripherals are devices attached to the computer via I/O ports. Peripheral devices allow your computer to perform an almost limitless variety of specialized tasks.

## **POST (Power On Self Test)**

When you turn on the computer, it will first run through the POST, a series of software-controlled diagnostic tests. The POST checks system memory, the motherboard circuitry, the display, the keyboard, the diskette drive, and other I/O devices.

## **PS/2 Port**

PS/2 ports are based on IBM Micro Channel Architecture. This type of architecture transfers data through a 16-bit or 32-bit bus. A PS/2 mouse and/or keyboard may be used on ATX motherboards.

## **RAM (Random Access Memory)**

There are several different types of RAM such as DRAM (Dynamic RAM), EDO DRAM (Extended Data Output DRAM), SDRAM (Synchronous DRAM).

## **ROM (Read Only Memory)**

ROM is nonvolatile memory used to store permanent programs (called firmware) used in certain computer components. Flash ROM (or EEPROM) can be reprogrammed with new programs (or BIOS).



## APPENDIX

### **SCSI (Small Computer System Interface)**

High speed parallel interface defined by the X3T9.2 committee of the American National Standards Institute (ANSI) for connecting many peripheral devices.

### **SMB (System Management Bus)**

The SMB is used for managing smart batteries, reading SDRAM configuration information, and other miscellaneous system functions.

### **SMI (System Management Interrupt)**

A non-maskable interrupt that causes the system to enter SMM. SMM functions include power management, USB legacy keyboard control, security, hot keys, and thermal monitoring.

### **SMM (System Management Mode)**

This is the mode of operation while SMI is active.

### **South Bridge**

The PCI to ISA interface, also contains many legacy devices.

### **System Disk**

A system disk contains the core file of an operating system and is used to boot up the operating system.

### **UltraDMA/33**

UltraDMA/33 is a new specification to improve IDE transfer rates. Unlike traditional PIO mode, which only uses the rising edge of IDE command signal to transfer data, UltraDMA/33 uses both rising edge and falling edge. Hence, the data transfer rate is double of the PIO mode 4 or DMA mode 2. ( $16.6\text{MB/s} \times 2 = 33\text{MB/s}$ ).

### **USB (Universal Serial Bus)**

A new 4-pin serial peripheral bus that allows plug and play computer peripherals such as keyboard, mouse, joystick, scanner, printer and modem/ISDN to be automatically configured when they are attached physically without having to install drivers or reboot. With USB, the traditional complex cables from back panel of your PC can be eliminated.



## Index

### A

AC Power System 53  
Air Vent 19  
APM and ACPI 55  
Audio In Jack 19

### B

Battery Pack 26  
Battery Power System 53  
BIOS  
    32 Bit I/O 70  
    Advanced Menu 72  
    Beep On Battery Low 79  
    BIOS Legend Bar 65  
    BIOS Menu Bar 65  
    BIOS Setup Program 64  
    Boot Menu 82  
    Boot Sequence 82  
    Cylinders 69  
    Discard Changes 84  
    DMA Channel 74, 75  
    Exit Discarding Changes 83  
    Exit Menu 83  
    Exit Saving Changes 83  
    Heads 69  
    I/O Device Configuration 74  
    IR Port 74  
    LBA Mode Control 70  
    Load Setup Defaults 84  
    Main Menu 67  
    Maximum Capacity 70  
    Multi-Sector Transfers 70  
    Parallel Port 75  
    Power Savings 78  
    Save Changes 84  
    Sectors 70  
    Security Menu 76  
    Serial Port A 74  
    Suspend Mode 79  
    System Date 67  
    System Time 67  
    Transfer Mode 70  
    Type 69  
    Ultra DMA Mode 70  
    Video Timeout 79

### C

Canadian Department of Communications 2  
Capital Lock 31  
CardBus 48  
Caring Information 13  
CD Control Buttons 32  
CD/DVD-ROM Drive 20, 42  
CDRH Regulations 43  
Charge Indicator 31  
Colored Hot Keys 33  
Cooling Fan 23  
CTR 21 Approval 4

### D

Display Panel 17  
Display Panel Latch 18  
Drive Activity Indicator 31  
DVD-ROM Drive Information 44

### E

Email Indicator 18  
Email Launch Key 31  
External Audio Connections 47

### F

Fast Infrared Port 19  
Federal Communications Commission 2  
Floppy Disk Drive and Floppy Eject 20

### G

Glossary 89

### H

Hard Disk Drive 21  
Headphone Jack 19

### I

Instant Launch Keys 17, 31  
Internal Modem Compliancy 86  
Internet Launch Key 31  
IR Wireless Communication 52

### K

Kensington® Lock Port 21  
Keyboard 17

### L

Laser Safety 43



## APPENDIX

### M

- Macrovision Notice 3
- Microphone Jack 19
- Microsoft Windows™ Keys 34
- Modem and Network Connections 50
- Modem Port 22
- Monitor Out Connection 47
- Mouse or Keyboard Connection 41

### N

- Network Connection 51
- Nordic Cautions 3
- Number Lock 31
- Numeric Keypad, alternate 34

### O

- Owner Information 96

### P

- Parallel Port 22
- PC Card (PCMCIA) Sockets 48
- Pointing Device 38
- Power Connection 28
- Power Indicator 31
- Power Management Modes 55
- Power State Summary 56
- Power Switch 19
- Power-On Self Test (POST) 29
- Powering OFF 30
- Powering ON 29
- Processor Upgrades 57
- Programmable Launch Key 31
- PS/2 Port 20

### R

- Region Definitions 45
- Regional Playback Information 45
- Restarting or Rebooting 30

### S

- Save-to-Disk Partition 30
- Securing Your Notebook PC 59
- Serial Port 22
- Speaker 18
- Standby Mode 56
- Status Indicators 31
- Suspend Mode 55
- System Memory Expansion 57

### T

- Table of Contents 7
- Thermal Power Control 57
- Touchpad and Buttons 17
- Touchpad, Caring 41
- Touchpad, Using 38
- Transportation Precautions 14
- TV Out Connection 47
- TV-Out Port 22
- Twisted-Pair Cable 51

### U

- UL Safety Notices 6
- Updating Your BIOS 62
- User's Manual, About 12

### V

- Vehicle/Air Power Adapter Accessory 60





## APPENDIX

### Owner Information

This page is provided for recording information concerning your Notebook PC for future reference or for technical support. Keep this User's Manual in a secured location if passwords are filled out.

Owner's Name: \_\_\_\_\_ Owner's Telephone: \_\_\_\_\_

Manufacturer: \_\_\_\_\_ Model: \_\_\_\_\_

Retailer: \_\_\_\_\_ Telephone: \_\_\_\_\_

Display Size: \_\_\_\_\_ Purchase Date: \_\_\_\_\_ Serial Number: \_\_\_\_\_

Hard Disk Drive Manufacturer: \_\_\_\_\_ Capacity: \_\_\_\_\_

2nd Hard Disk Drive Manufacturer: \_\_\_\_\_ Capacity: \_\_\_\_\_

BIOS Version: \_\_\_\_\_ Date: \_\_\_\_\_

Accessories: \_\_\_\_\_ Serial Number: \_\_\_\_\_

Accessories: \_\_\_\_\_ Serial Number: \_\_\_\_\_

### SOFTWARE

Operating System: \_\_\_\_\_

Software: \_\_\_\_\_ Serial Number: \_\_\_\_\_

Software: \_\_\_\_\_ Serial Number: \_\_\_\_\_

### SECURITY

Bootup Password: \_\_\_\_\_ Hard Drive Password: \_\_\_\_\_

### NETWORK

User's Name: \_\_\_\_\_ Password: \_\_\_\_\_ Domain: \_\_\_\_\_

User's Name: \_\_\_\_\_ Password: \_\_\_\_\_ Domain: \_\_\_\_\_