

# Getting Started

The ASUS rail kit is specially designed for the AS-30 tower chassis. With the rails, you can mount your chassis on a 19" rack with EIA rack hole spacing to improve access to the server, disk arrays, RAID controllers, and other hardware. This manual will go over the installation of the rails step by step.


## I. Checklist

- 2 Three-section Rails
- 4 Rail Holders
- 2 Rack Mount Brackets
- Several Screws

## II. Requirements

The AS-30 chassis and the rails can only fit on a 19-inch wide rack that is more than 5U (8.75" or 222.25mm) in height and 31.5" (800mm) in depth.

## III. Caution

 When handling the three-section rails, be aware that the inner rails may slide out and hurt you.

## IV. Symbols

Symbols are used to aid you in using this installation guide. The symbols and their meanings are given below.



**STEP:** Actions to complete a task



**SCREW DRIVER:** Tools required to complete a task



**CAUTION:** Information to prevent damage to the components



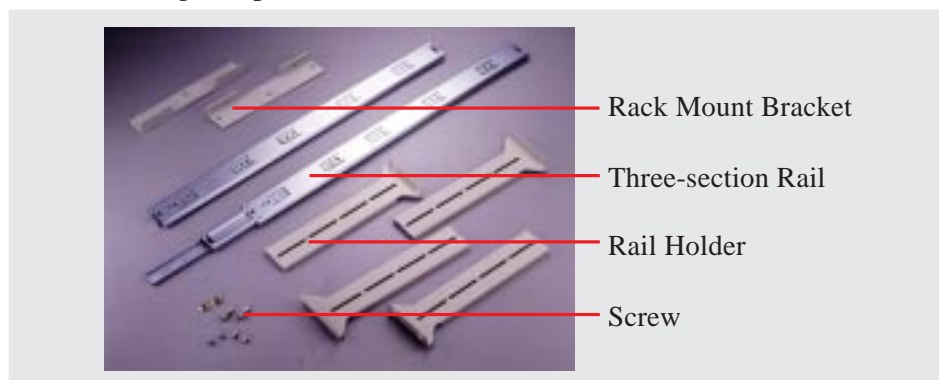
**NOTE:** Tips and information to aid in completing a task



**IMPORTANT:** Information that must be followed to complete a task

## V. Components

The following is a picture of the checklist items.



Rack Mount Bracket

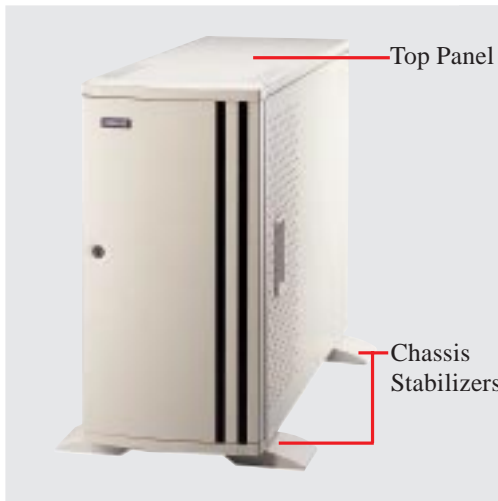
Three-section Rail

Rail Holder

Screw

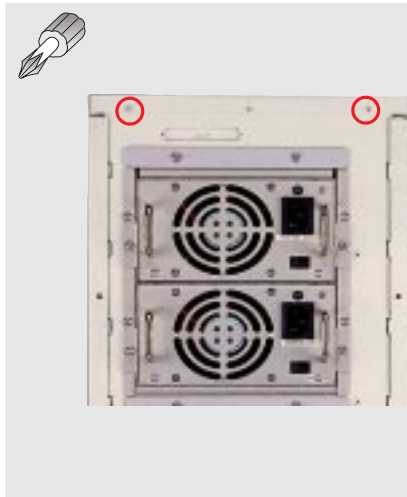
# Installation Procedure

English



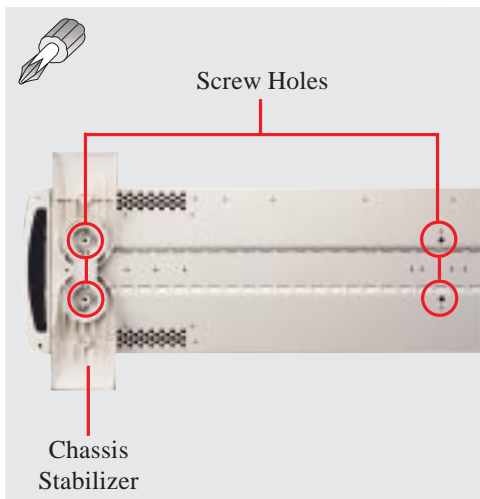
## 1. Remove the Top Panel

Each rail has a removable section that must be attached to the top or bottom of the chassis. Before doing so, remove the top panel and chassis stabilizers.



### Top Panel Screws

The top panel is secured by two screws at the back of the chassis. To open the top panel, remove the screws with a screwdriver.



## 2. Remove the Chassis Stabilizers

Remove the four screws that secure the chassis stabilizers.

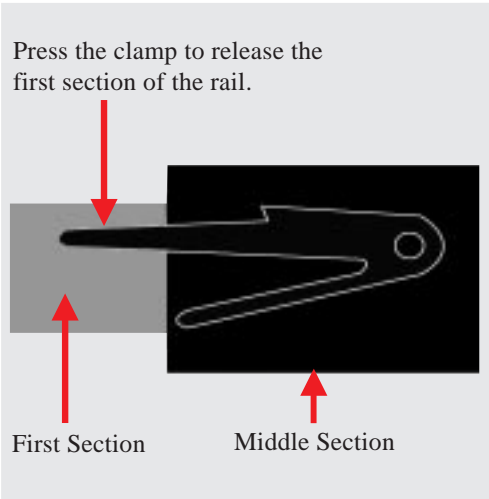
# Installation Procedure



### 3. Remove the Top Handle Cover

Remove the top handle cover as shown.


The top and bottom handles make it easier to mount and pull out the chassis. When using the system independently, you may want to install the top handle cover for cosmetics.



### 4. Release the First Section of the Rail

The first (narrowest) section of the rail should be attached to the chassis. The other two (middle and last) sections, always held together, will be used on the rack later.

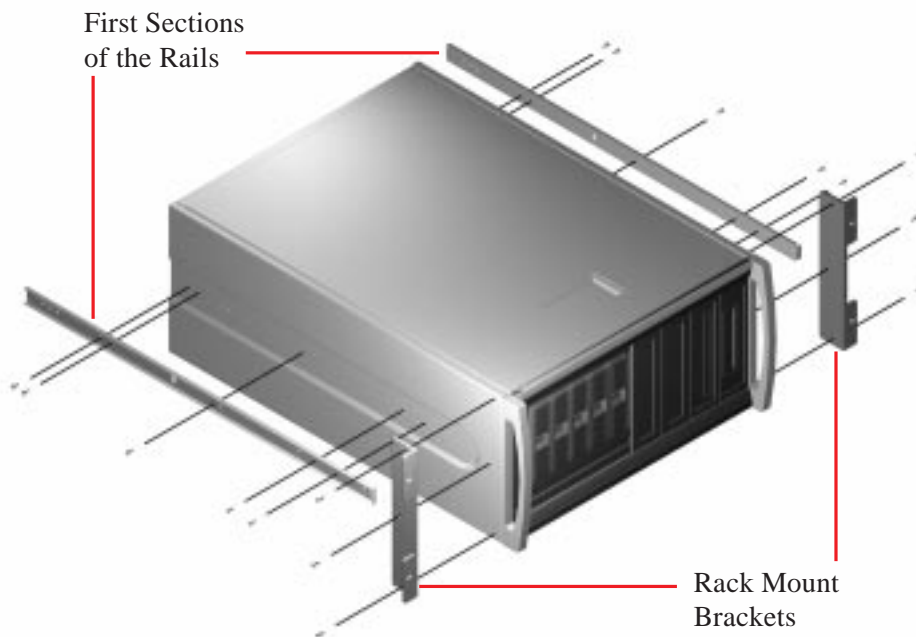
To release the first section of the rail, slide it out until a clamp can be seen. Press the clamp as shown.

 **NOTE:** The clamp prevents the first section of the rail from separating from the other two sections. To detach a well-mounted chassis from the rack, you must release the first section of the rail by performing the above step as illustrated.

# Installation Procedure



## 5. Install the Rails & Rack Mount Brackets



1. Secure the rack mount brackets onto the chassis with three screws.
2. There are recessed tracks on the top and bottom of the chassis. Attach the first section of the rail to the track and tighten the screws.



**IMPORTANT:** There are two models of chassis--10 and 24 holes, and two models of rails--15 and 21 holes. Refer to the chart on the following page for screw matchings. You can fasten 5 screws on the 10-hole chassis and 8 screws on the 24-hole chassis.

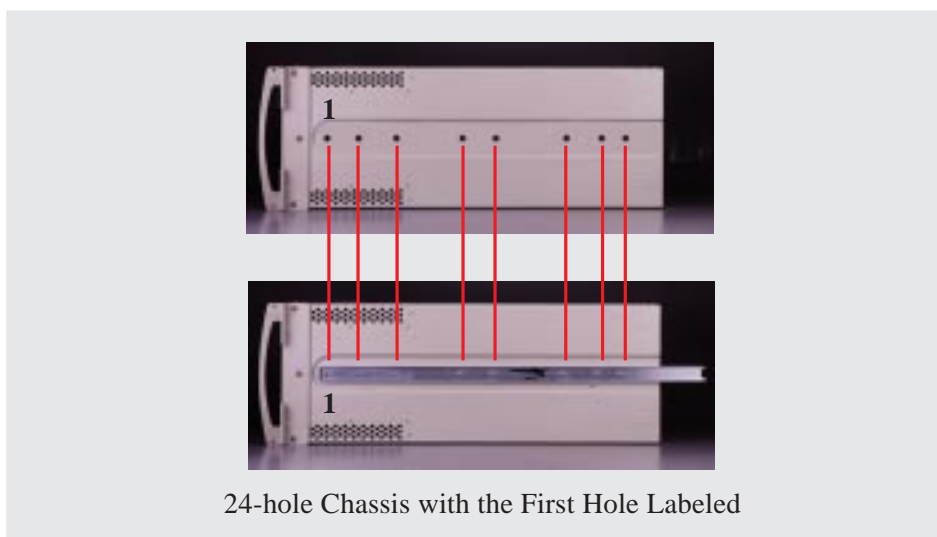
# Installation Procedure

## Screw Hole Matching

As long as the first screw hole on the rail is matched with the proper hole on the chassis, the rest of the holes will match. You may match the holes by trial and error or by referring to the following chart.

**NOTE:** There are no differences between the two models other than the number of screw holes.

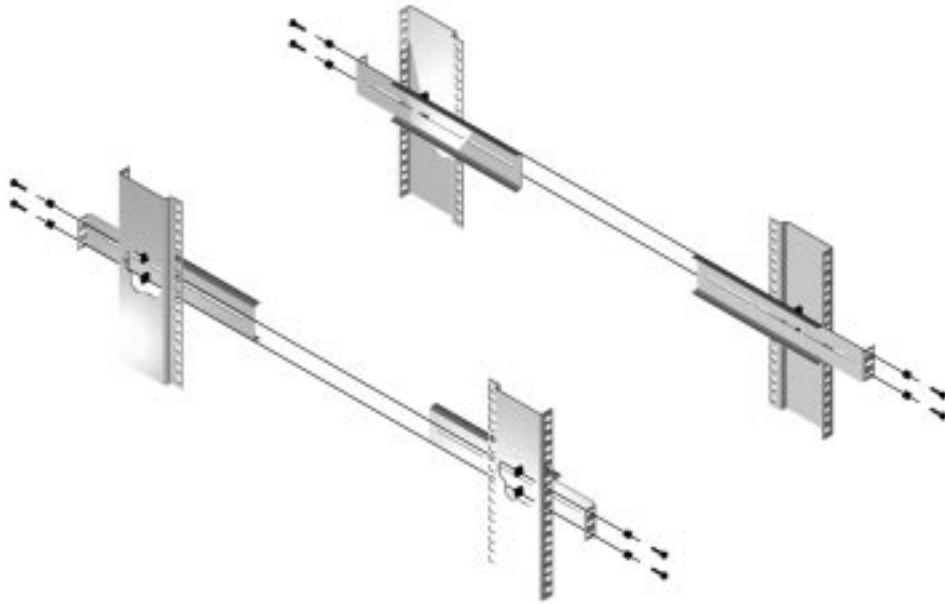
		Chassis Screw Holes	
		10 Holes (5 screws)	24 Holes (8 screws)
Rail Screw Holes	15Holes	The 3rd rail hole matches the 2nd chassis hole.	The 1st rail hole matches the 2nd chassis hole.
	21Holes	(not supported)	The 1st rail hole matches the 1st chassis hole.



# Installation Procedure



## 6. Install the Rail Holders



Secure the rail holders onto the rack, using the top and bottom screw holes as shown. Make sure the four rail holders are horizontally aligned when attached to the rack.



**NOTE:** The rail holder is designed to connect the widest section of the rail to the rack. The three holes on the rail holder are spaced according to the EIA standard. The height from hole 1 to hole 3 is measured at one U (unit), which is 1.75" or 44.45mm.

# Installation Procedure



## 7. Secure the Rails onto the Rail Holders

English

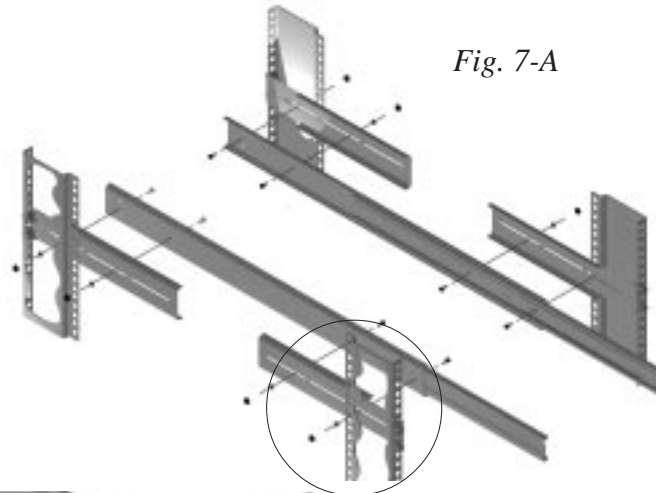


Fig. 7-A

Fig. 7-B

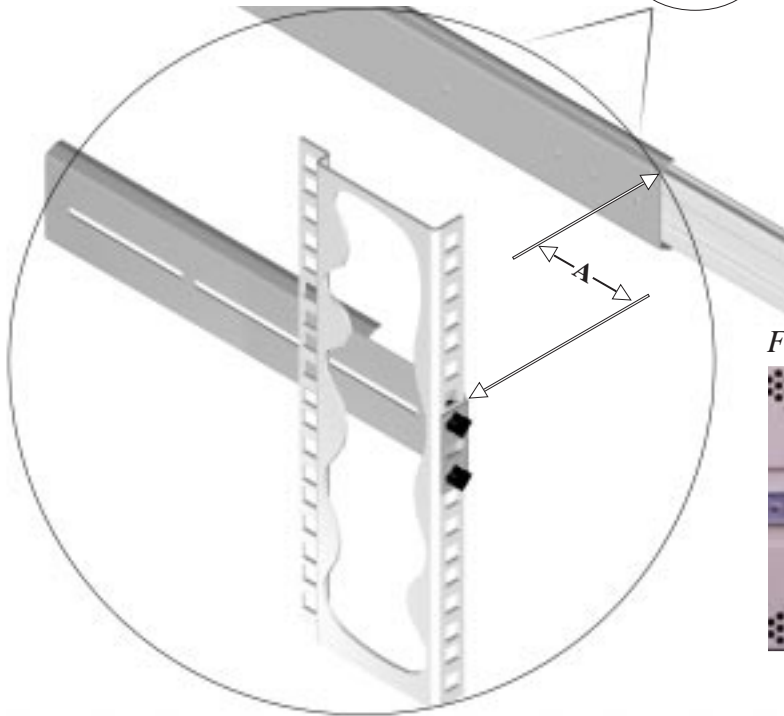



Fig. 7-C



Secure the widest sections of the rail onto the rail holders as shown in Figure 7-A. Keep a distance of A between the front edge of the rail and the front edge of the rail holder as shown in Figure 7-B. A equals the distance from the narrowest section of the rail to the rack mount bracket. (See Figure 7-C.)

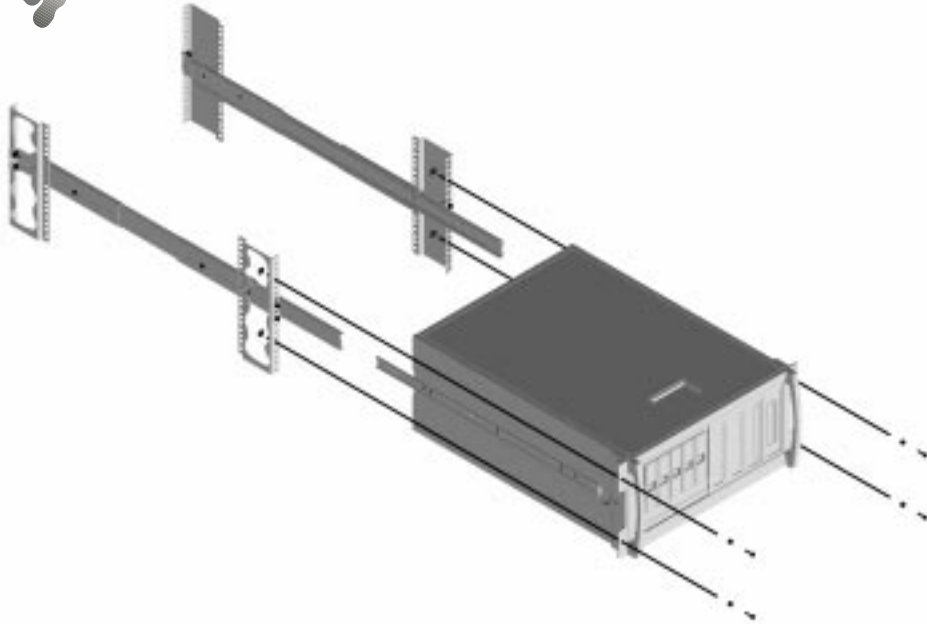
 **IMPORTANT:** Distance A varies according to the positions of the screw holes on your chassis and rails.

# Installation Procedure

English



## 8. Insert the Chassis onto the Rack



Slide the narrowest sections of the rail along with the chassis into the middle sections of the rail. Screw the rack mount brackets and the rack as shown.



## 9. Installation Finished

